



US00D327253S

United States Patent [19]

[11] Patent Number: **Des. 327,253**

Marach

[45] Date of Patent: **** Jun. 23, 1992**

[54] **HIGH DENSITY EDGE CARD CONNECTOR**

4,763,226	8/1988	Pelletier	361/426
4,835,659	5/1989	Goodson	379/327 X
4,932,051	6/1990	Karan et al.	379/399

[75] Inventor: **David R. Marach, Marengo, Ill.**

[73] Assignee: **Cooper Industries, Houston, Tex.**

[**] Term: **14 Years**

Primary Examiner—Susan J. Lucas
Assistant Examiner—Joel Sincavage
Attorney, Agent, or Firm—Cooper Industries

[21] Appl. No.: **511,028**

[57] **CLAIM**

[22] Filed: **Apr. 19, 1990**

The ornamental design for a high density edgcard connector, as shown and described.

[52] U.S. Cl. **D13/147; D13/184**

[58] Field of Search **D13/147; D14/100, 105, D14/107, 240, 256; 439/59, 62, 325, 630, 636, 638, 676, 709, 716; 379/156, 325, 327, 328, 330, 332, 399; 361/426**

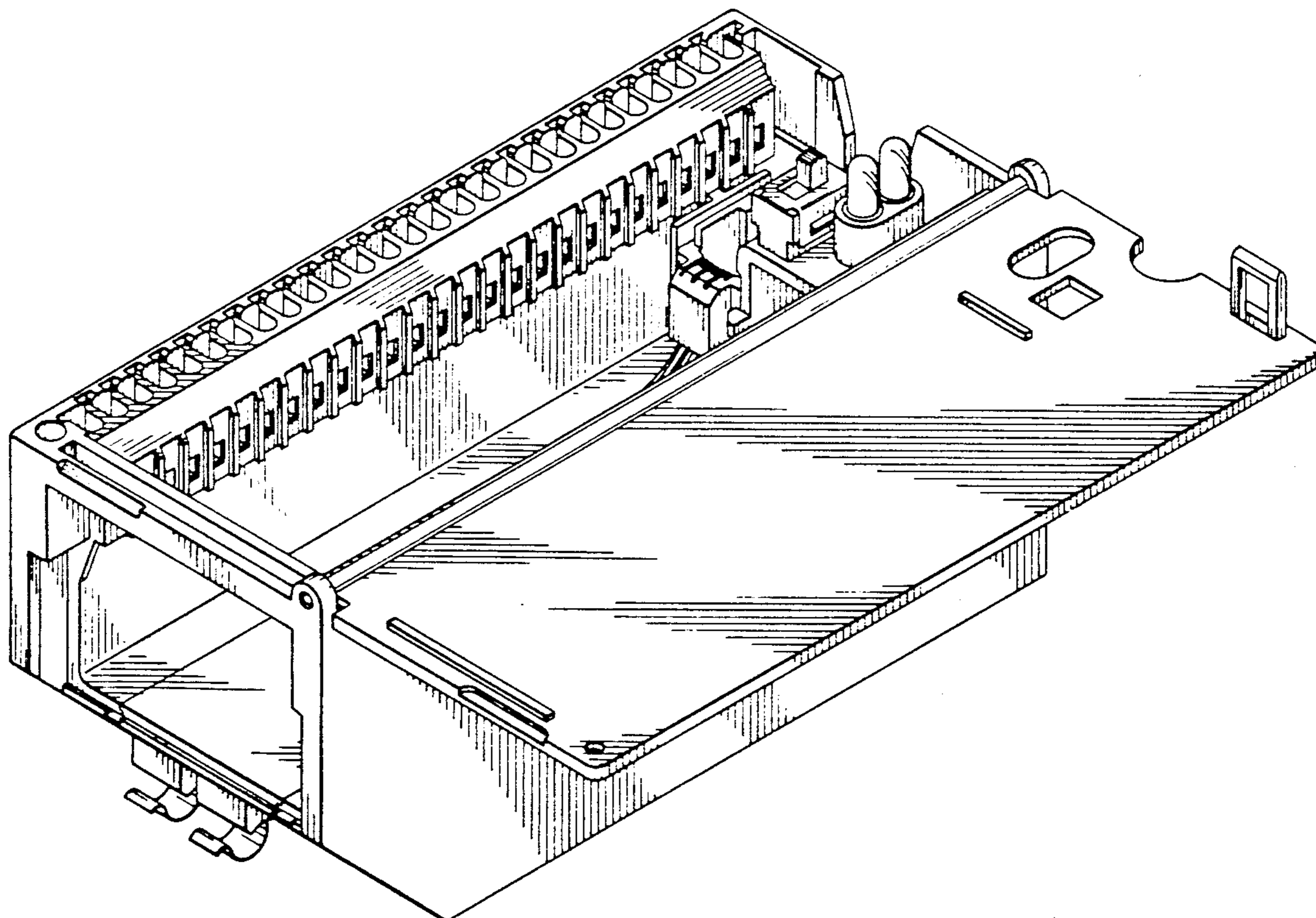
DESCRIPTION

[56] **References Cited**

U.S. PATENT DOCUMENTS

D. 313,803	1/1991	Collins et al.	D14/240
D. 319,427	8/1991	Ichitsubo	D13/147
3,784,728	1/1974	De Bortoli et al.	439/703 X
4,729,059	3/1988	Wang	361/426 X

FIG. 1 is a rear and upper right perspective view of a high density edgcard connector showing my new design;
FIG. 2 is a front elevational view thereof;
FIG. 3 is a right side elevational view thereof;
FIG. 4 is a rear elevational view thereof;
FIG. 5 is a left side elevational view thereof;
FIG. 6 is a top plan view thereof; and
FIG. 7 is a bottom plan view thereof.



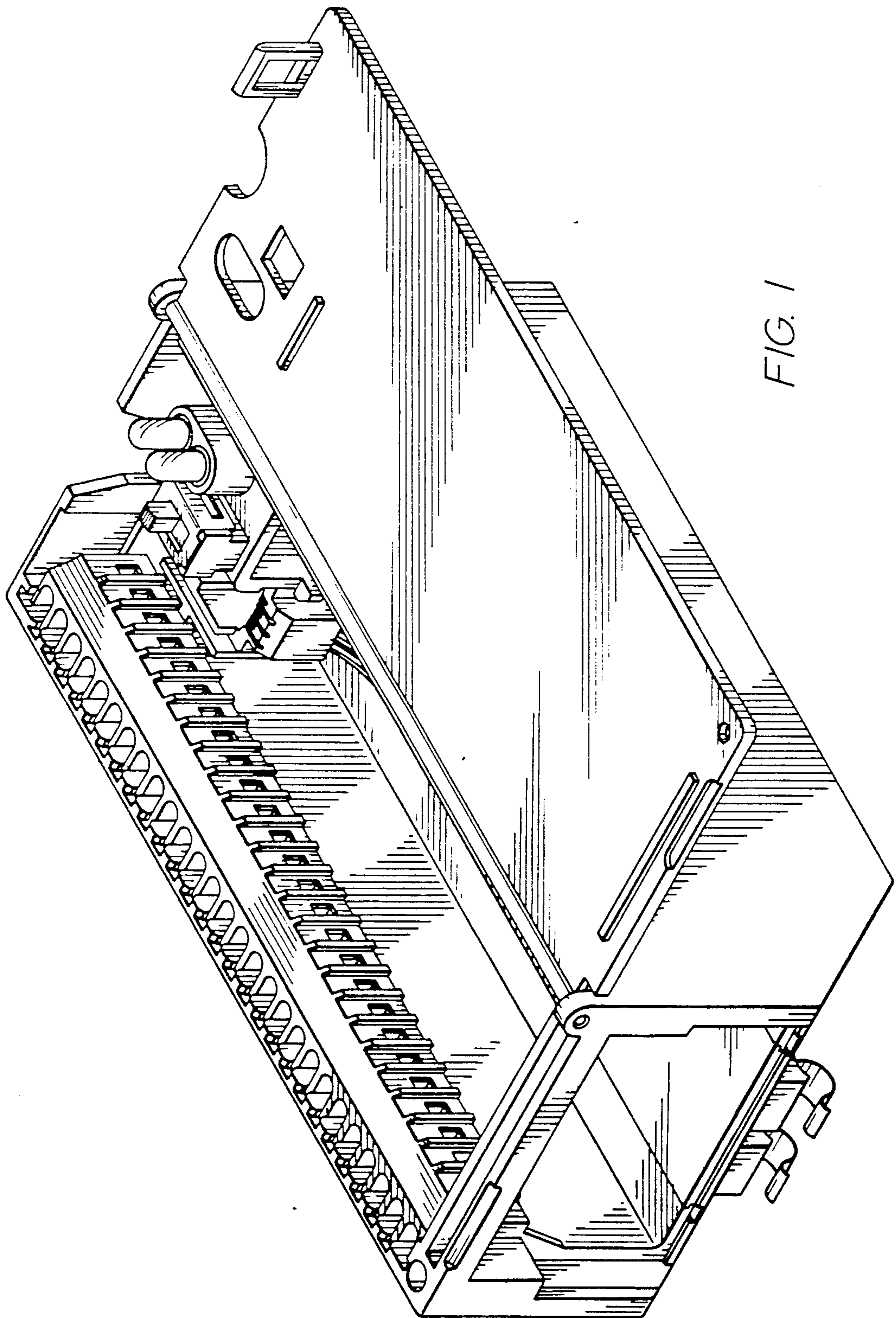


FIG. 1

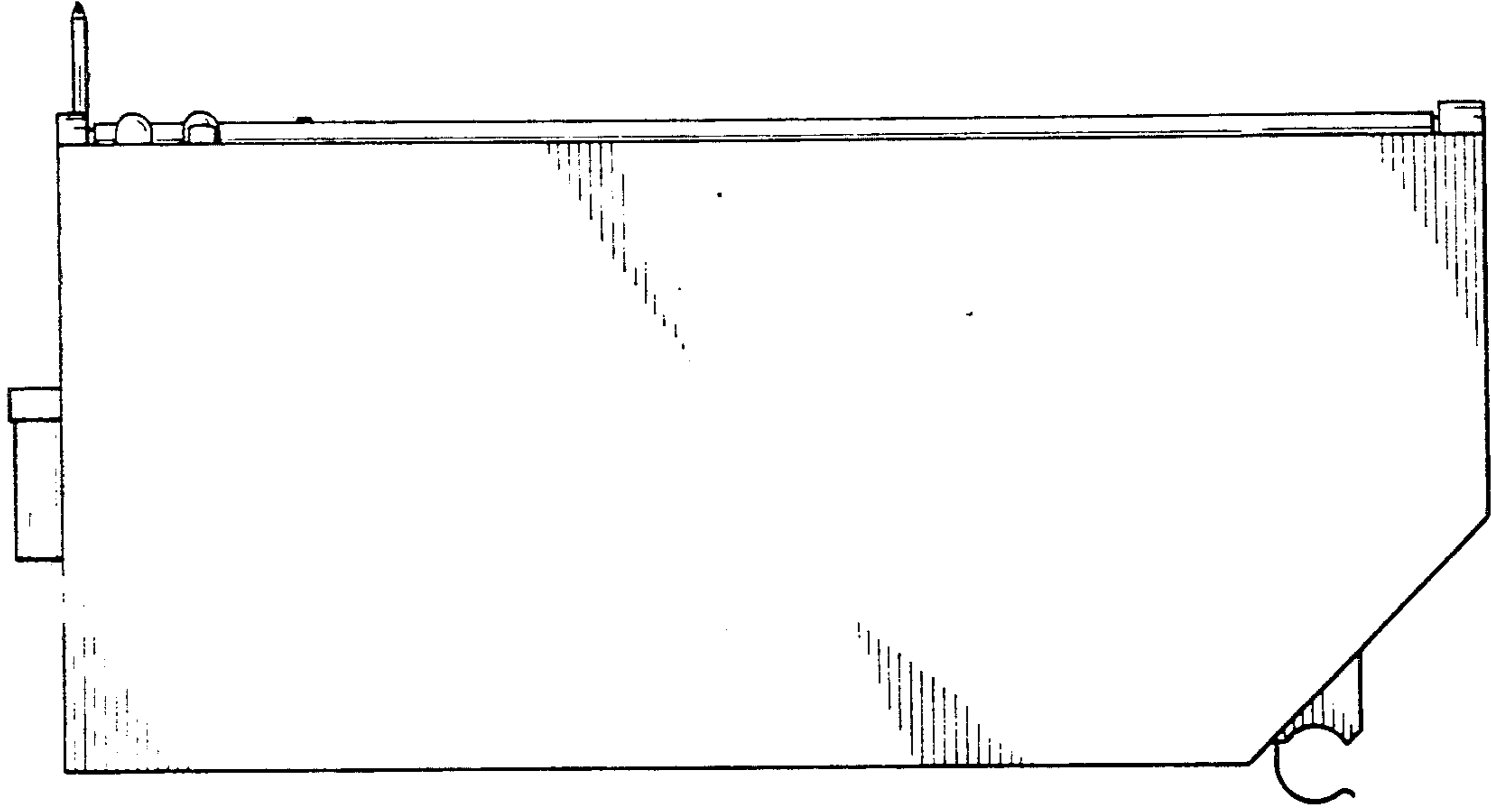


FIG. 2

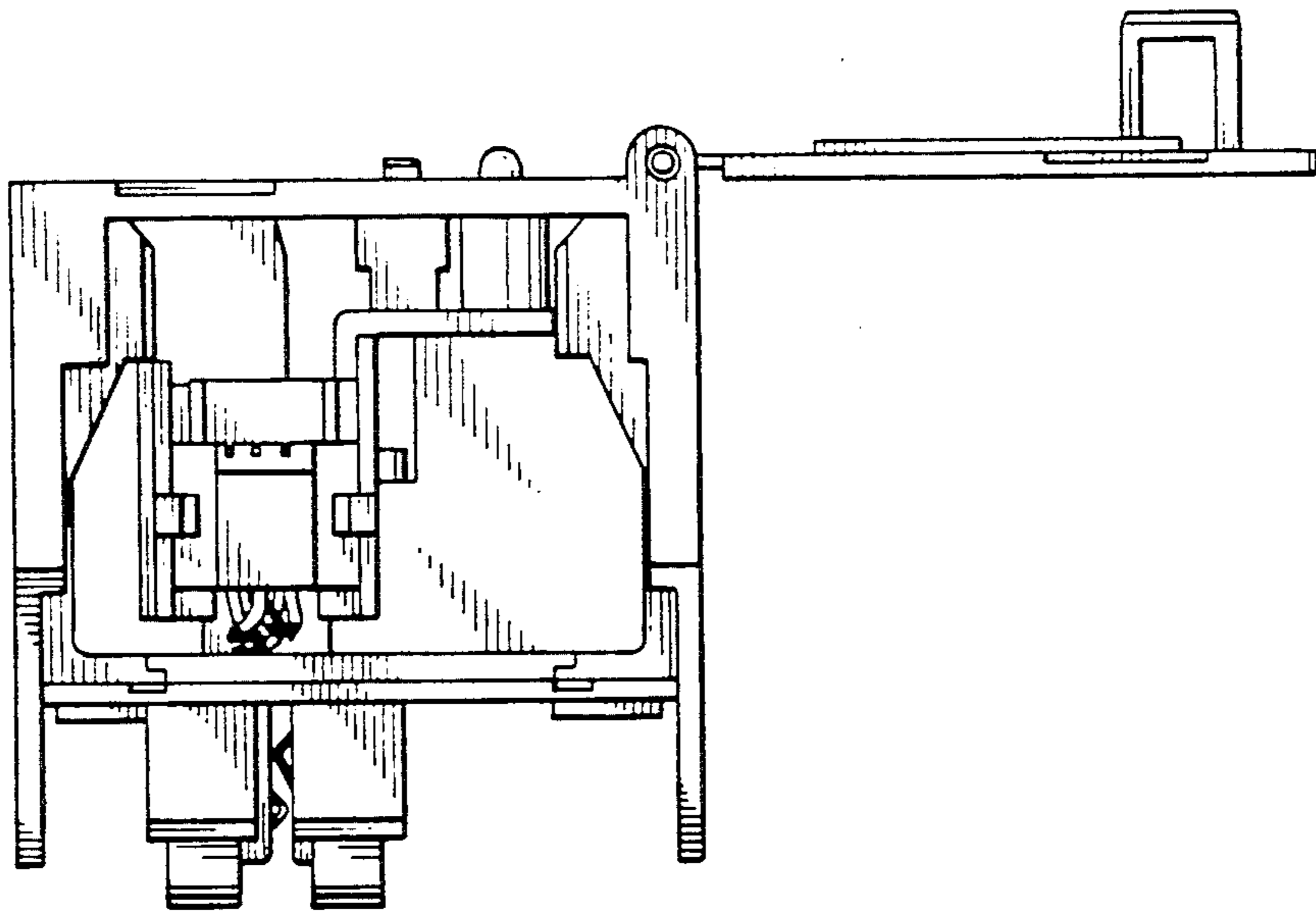


FIG. 3

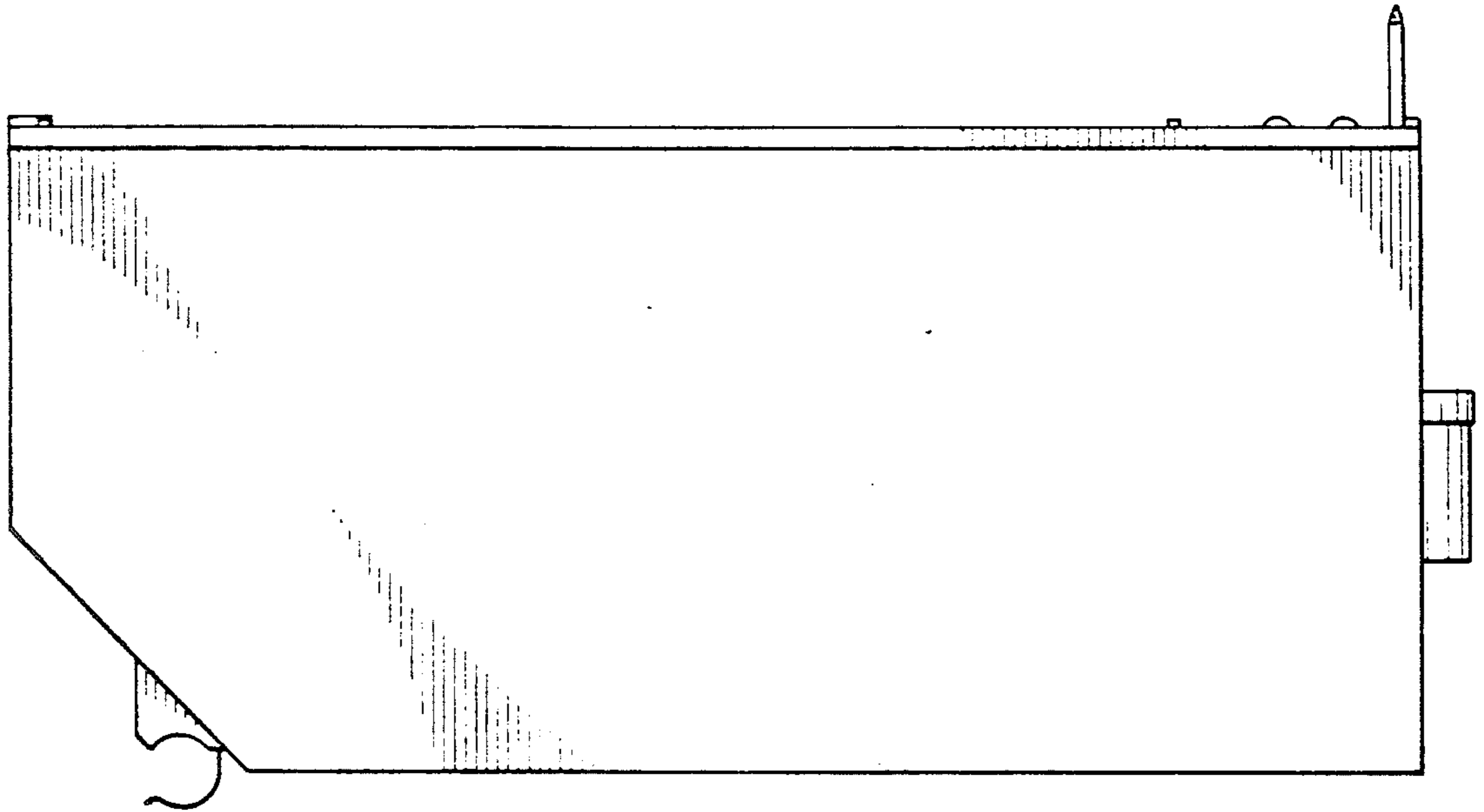


FIG. 4

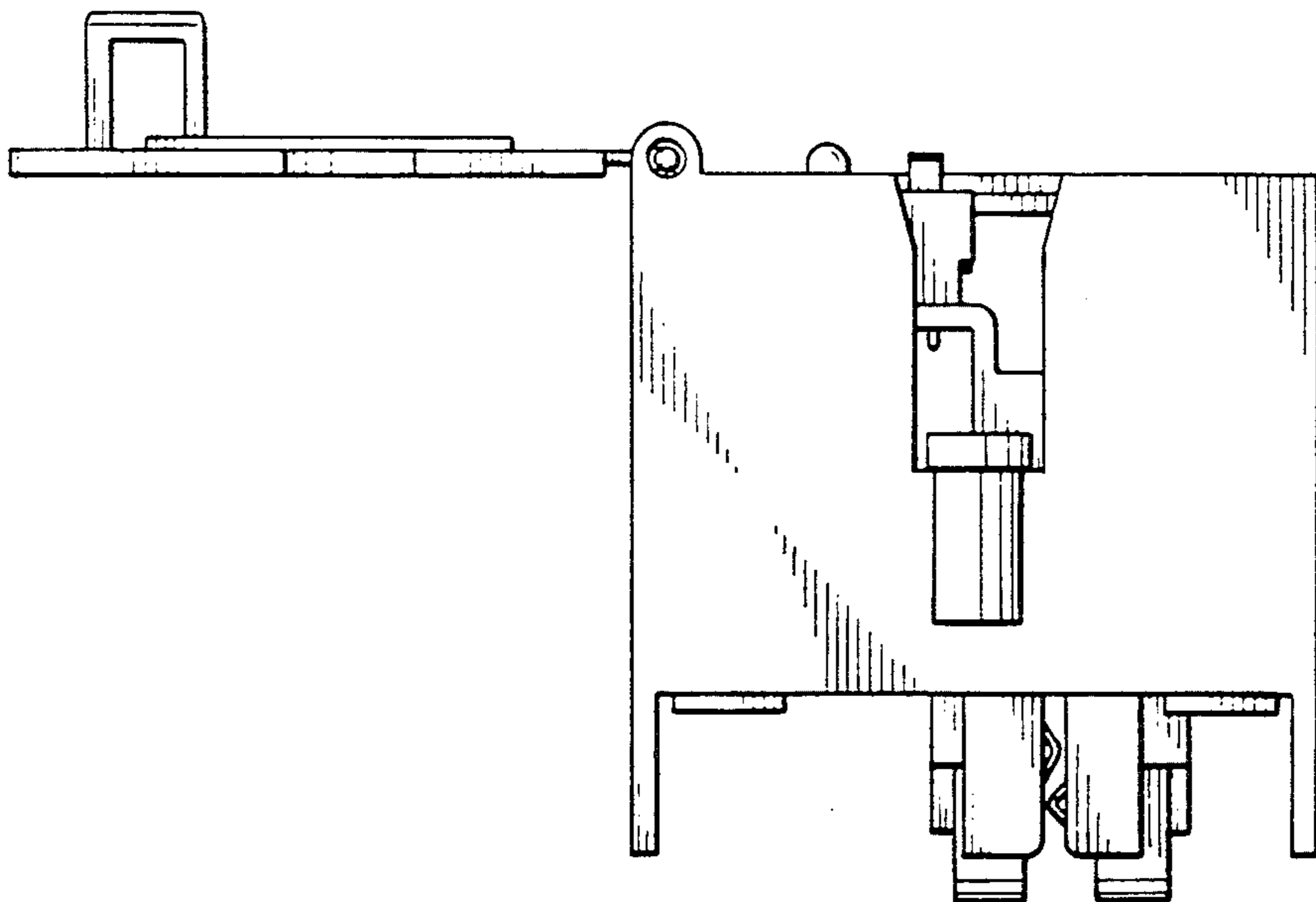


FIG. 5

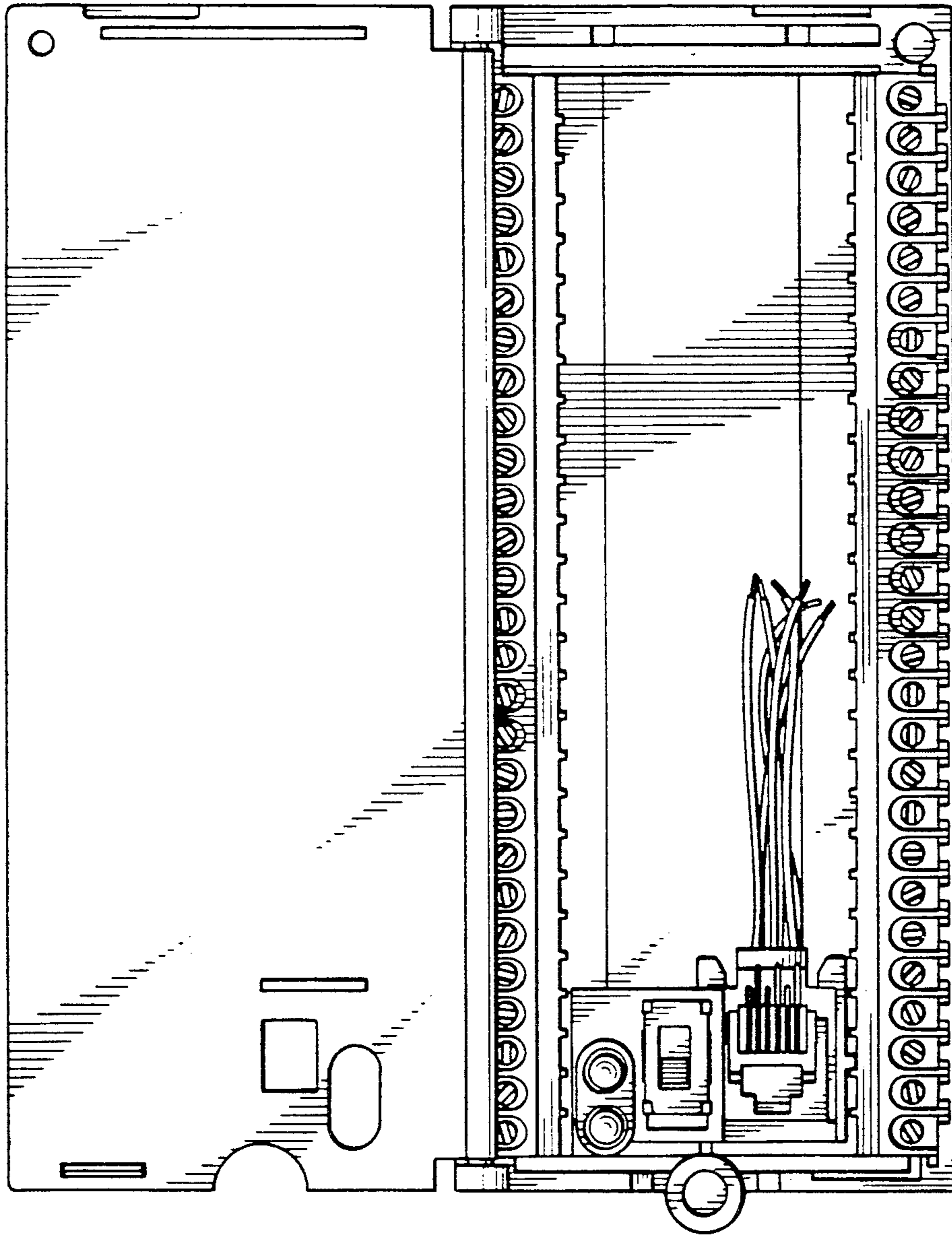


FIG. 6

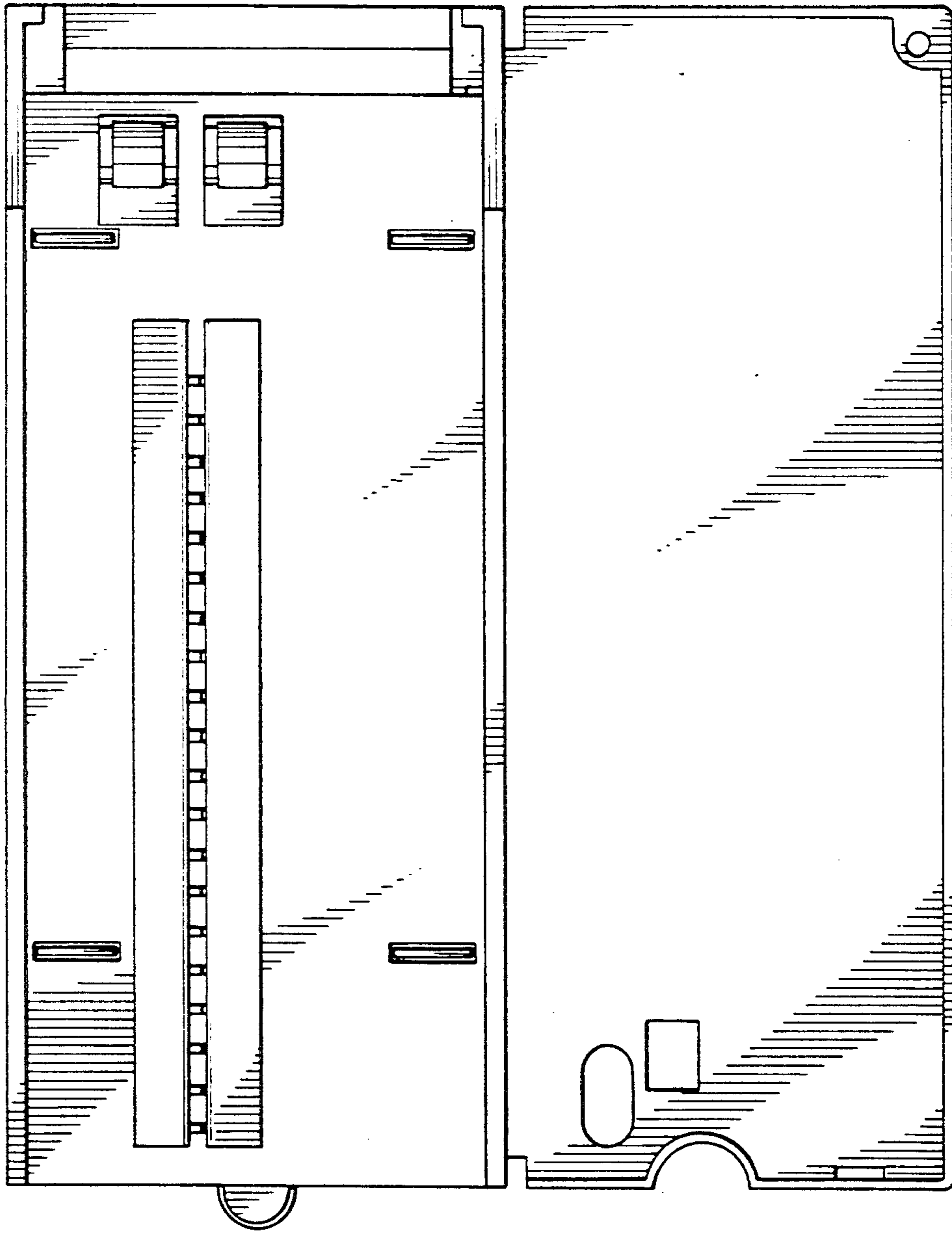


FIG. 7