



US00D327251S

# United States Patent [19]

[11] Patent Number: Des. 327,251

Moriai et al.

[45] Date of Patent: \*\* Jun. 23, 1992

[54] INNER HOUSING OF AN ELECTRICAL CONNECTOR

0274408 9/1964 Netherlands ..... 439/682  
1500722 2/1978 United Kingdom ..... 439/357

[75] Inventors: Yasuharu Moriai; Osamu Ito, both of Suzuka, Japan

Primary Examiner—Susan J. Lucas  
Assistant Examiner—J. Sincavage  
Attorney, Agent, or Firm—Liddy Sullivan Galway Begler & Peroff

[73] Assignee: Sumitomo Wiring Systems, Ltd., Yokkaichi, Japan

[\*] Notice: The portion of the term of this patent subsequent to Jun. 23, 2006 has been disclaimed.

### [57] CLAIM

The ornamental design for an inner housing of an electrical connector, as shown and described.

[\*\*] Term: 14 Years

### DESCRIPTION

[21] Appl. No.: 271,470

FIG. 1 is a top perspective view of the inner housing of an electrical connector showing our new design. The broken line showing of the outer connector housing and the adjacent arrow are environmental elements included for illustrative purposes only and form no part of the claimed design:

[22] Filed: Nov. 15, 1988

### [30] Foreign Application Priority Data

May 17, 1988 [JP] Japan ..... 63-19367

[52] U.S. Cl. .... D13/147

[58] Field of Search ..... D13/133, 146, 147; 439/353, 344, 357, 544, 550, 571, 572, 586, 587, 595, 603, 660, 682, 685, 686, 687, 695, 696, 701

FIG. 2 is a rear elevation view of the inner housing of an electrical connector showing our new design on an enlarged scale;

FIG. 3 is a front elevation view thereof;

FIG. 4 is a top plan view thereof;

FIG. 5 is a bottom plan view thereof;

FIG. 6 is a right side elevational view thereof, the left side elevational view being a mirror image;

FIG. 7 is a cross-sectional view thereof taken along line 7—7 of FIG. 4;

FIG. 8 is a cross-sectional view thereof taken along line 8—8 of FIG. 4; and,

FIG. 9 is a cross-sectional view thereof taken along line 9—9 of FIG. 4.

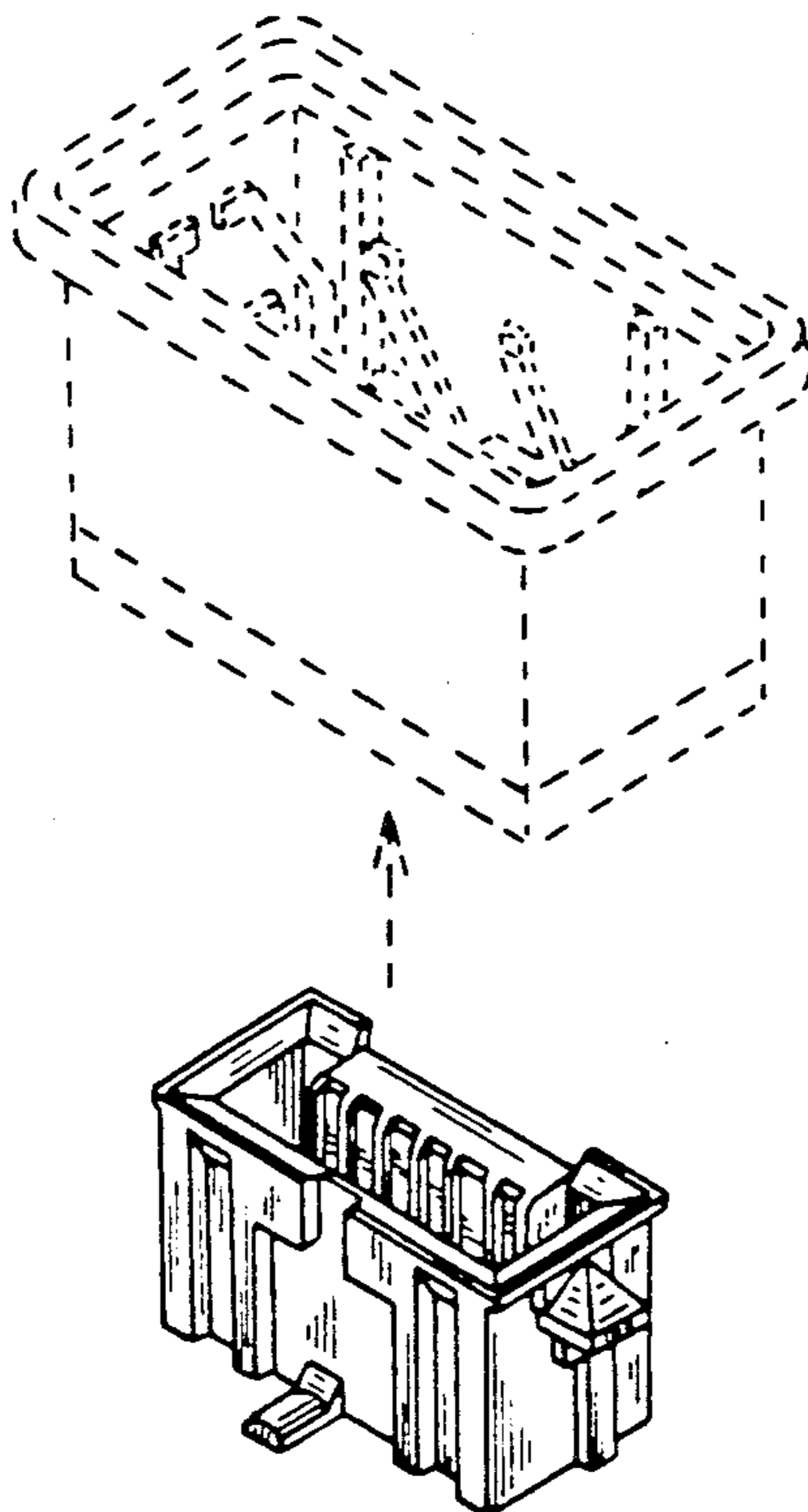
### [56] References Cited

#### U.S. PATENT DOCUMENTS

3,275,765 9/1966 Ferdon et al. .... 439/660 X  
4,657,331 4/1987 Coldren ..... 439/571

#### FOREIGN PATENT DOCUMENTS

1524330 5/1968 France ..... 439/682  
0039491 4/1978 Japan ..... 439/357



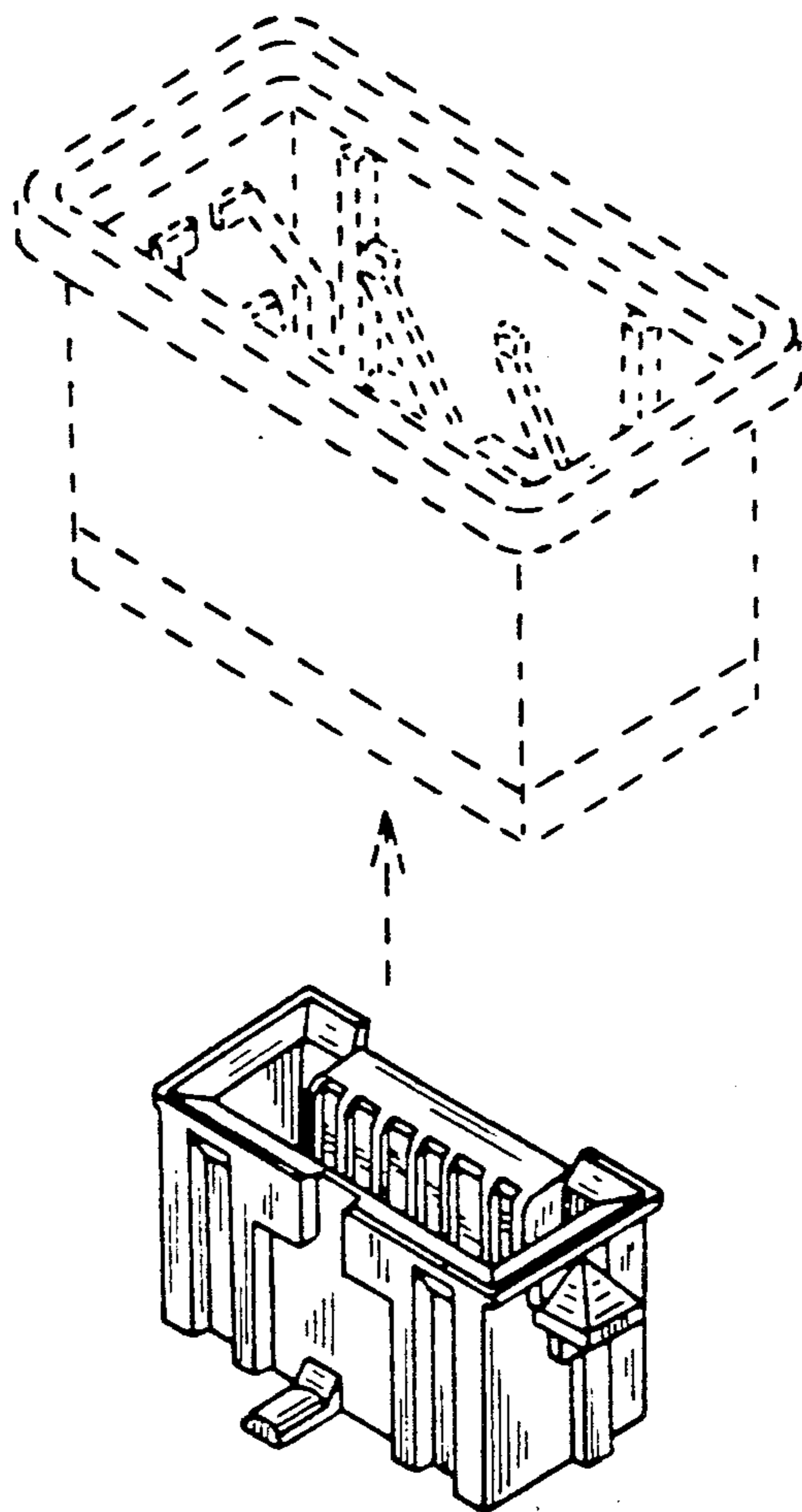


FIG. 1

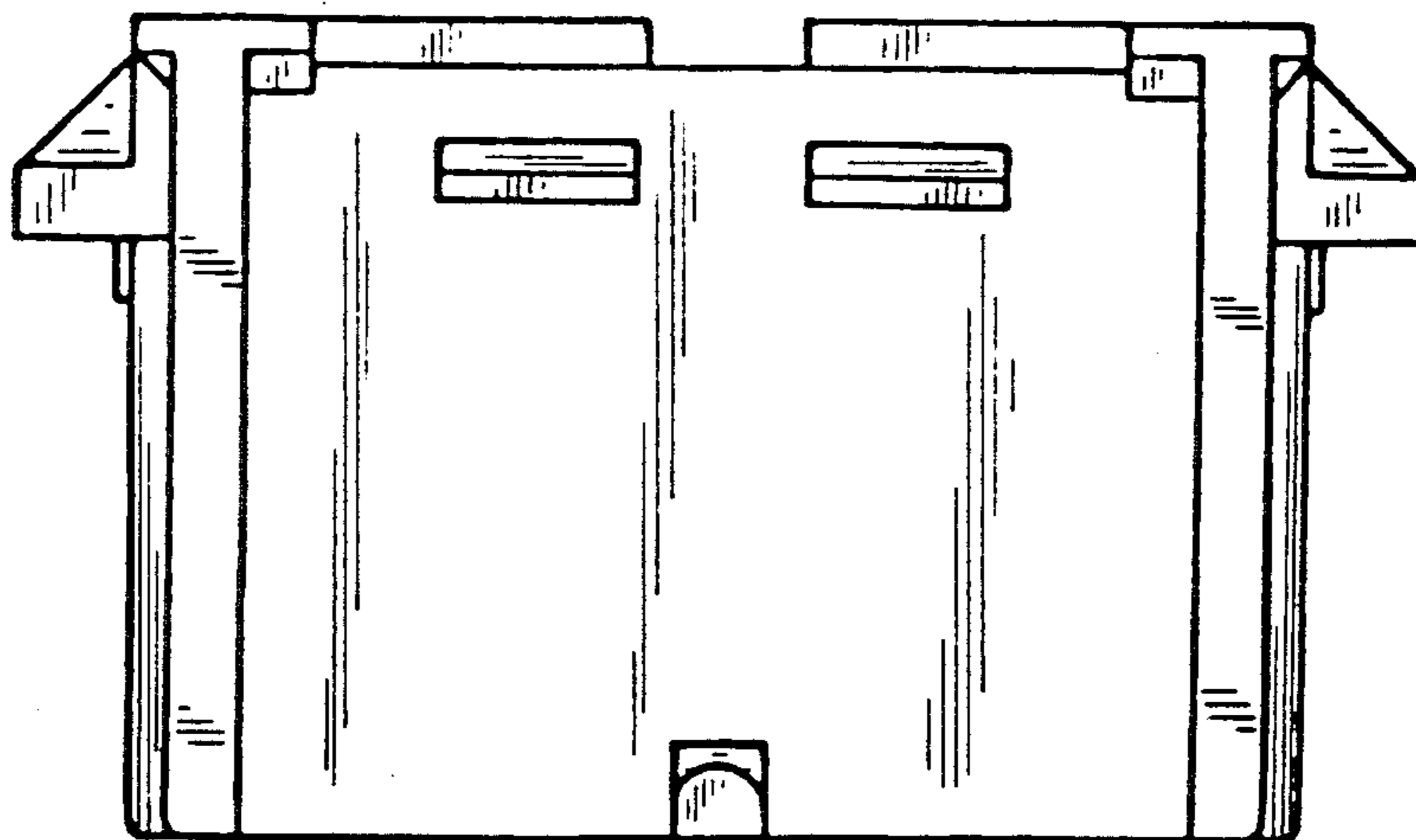


FIG. 2

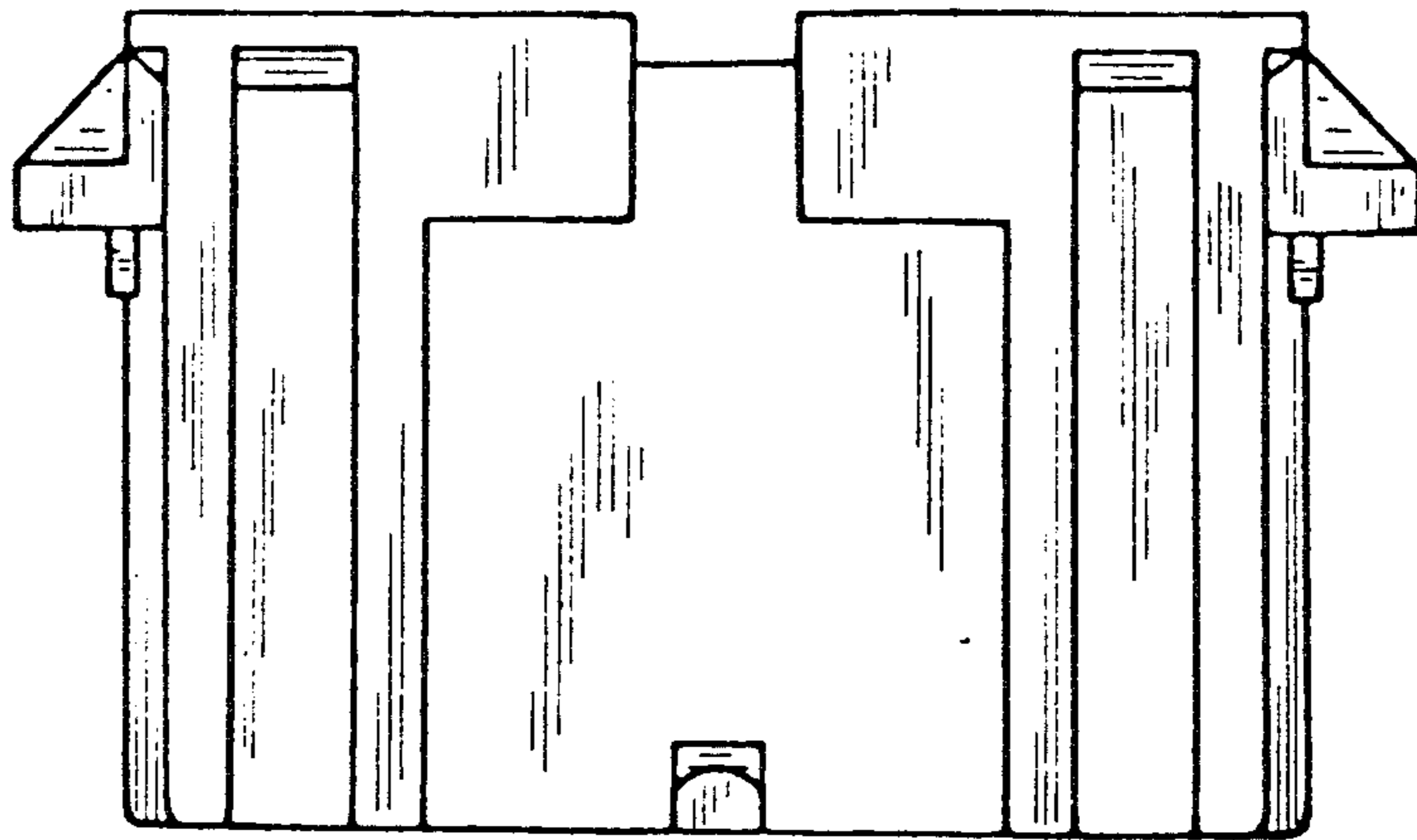


FIG. 3

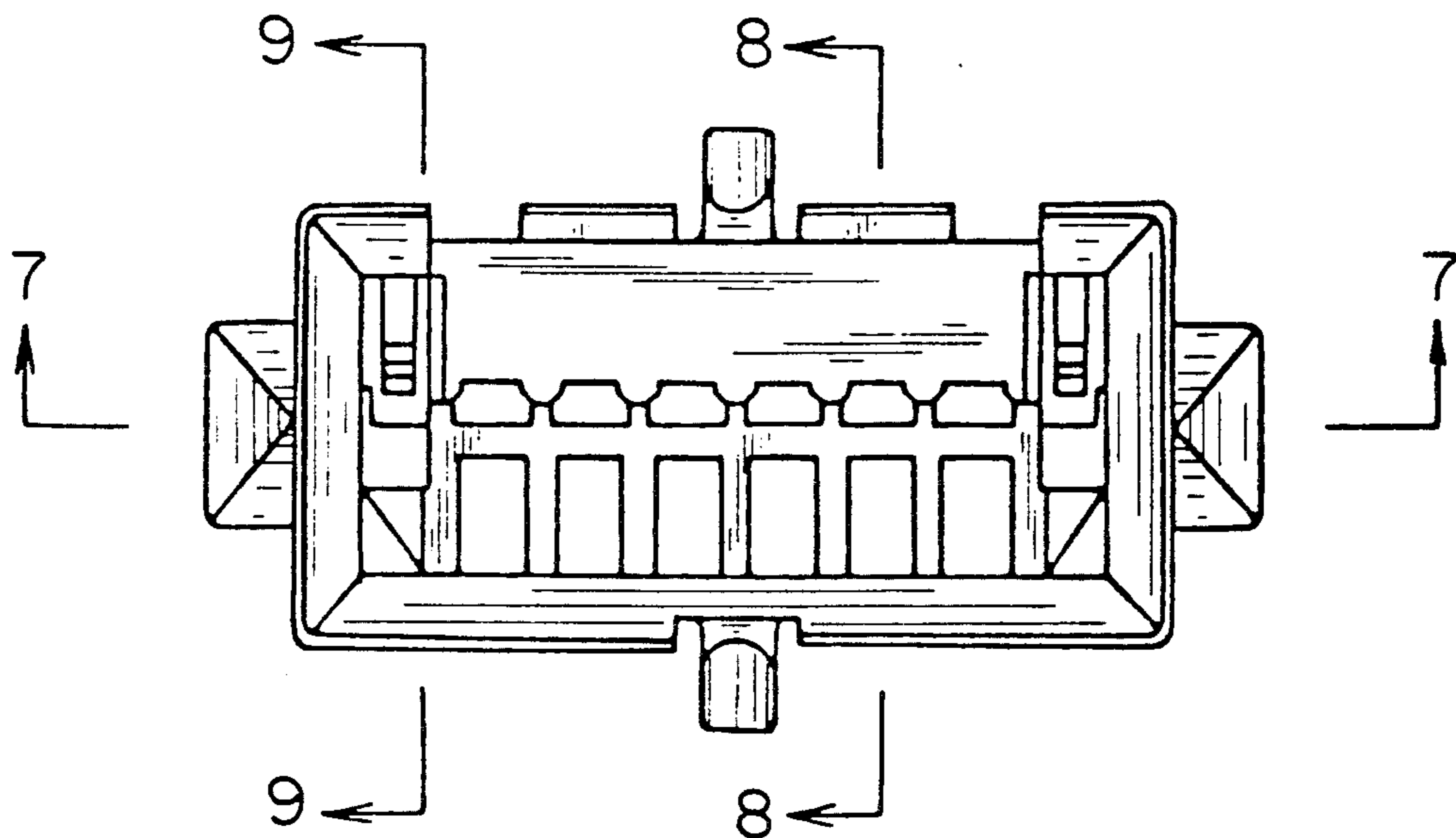


FIG. 4

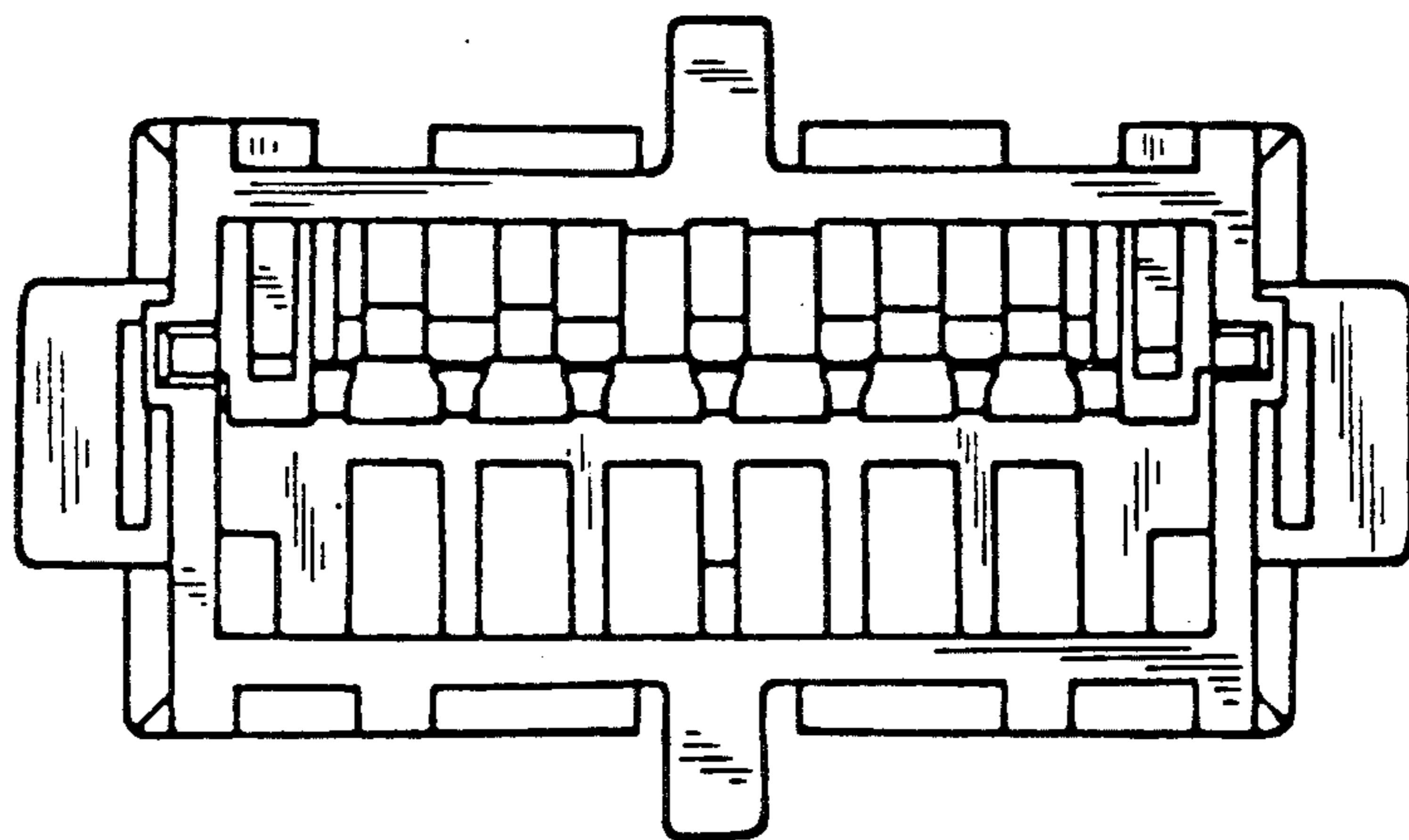


FIG. 5

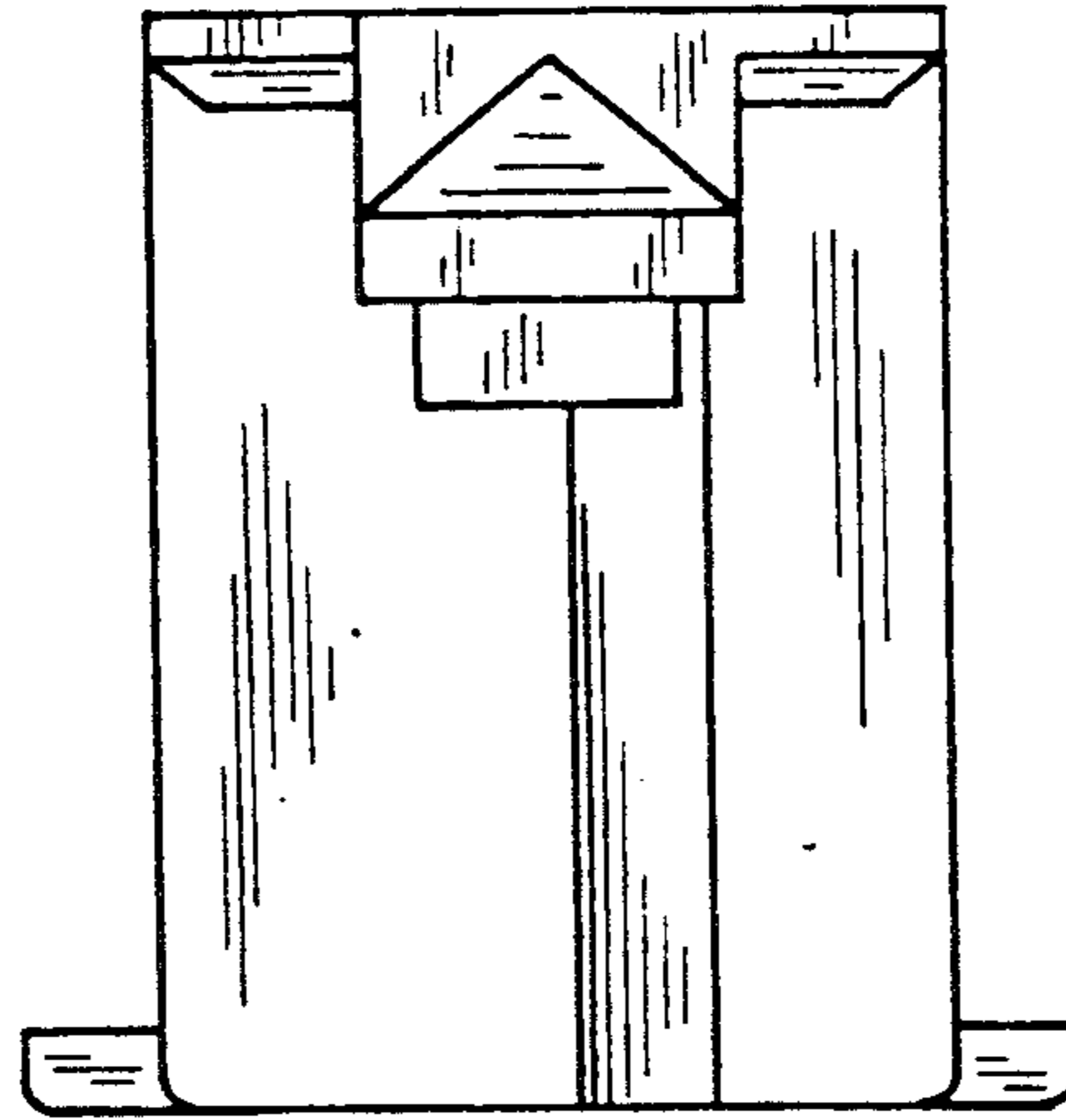


FIG. 6

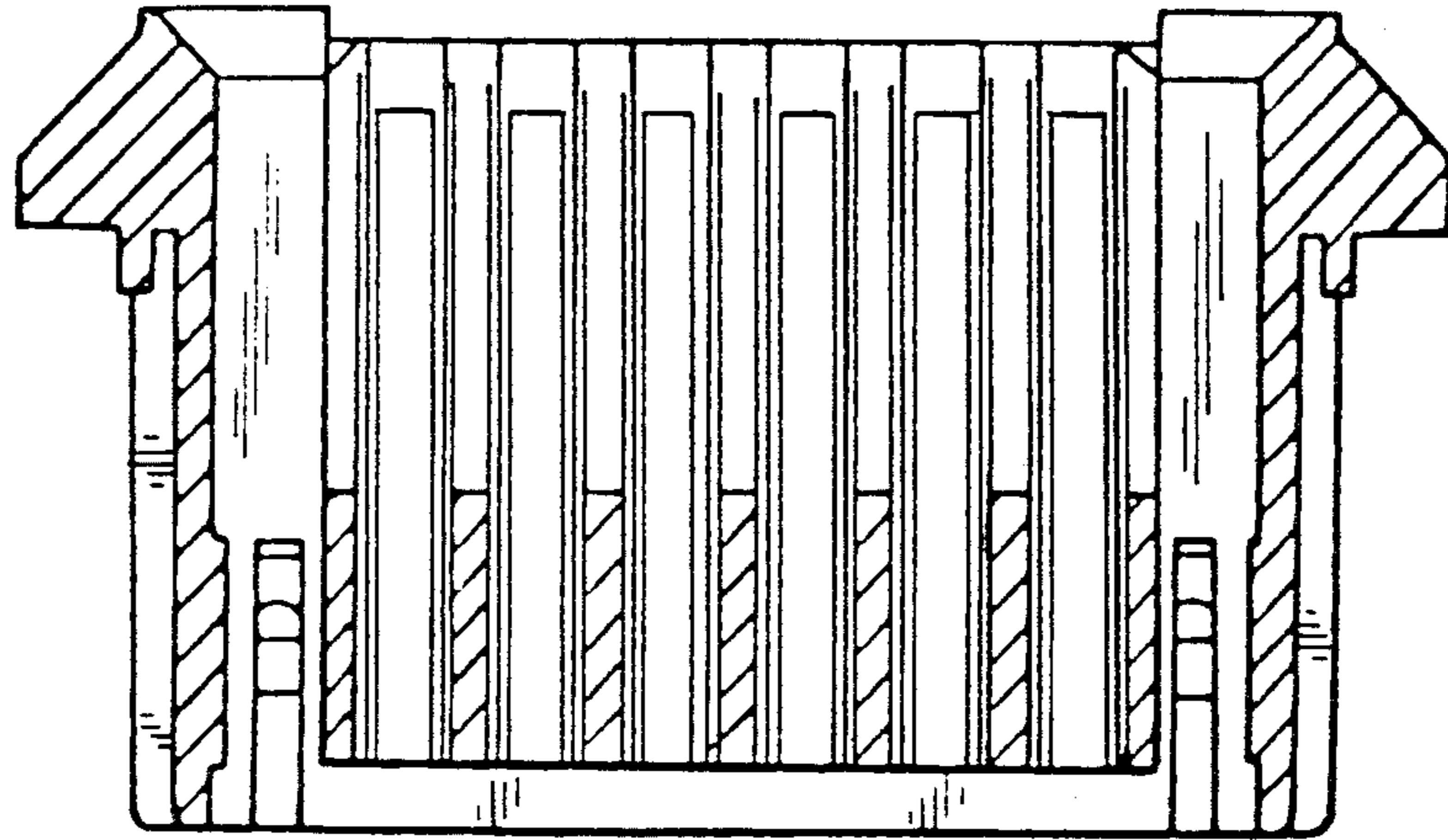


FIG. 7

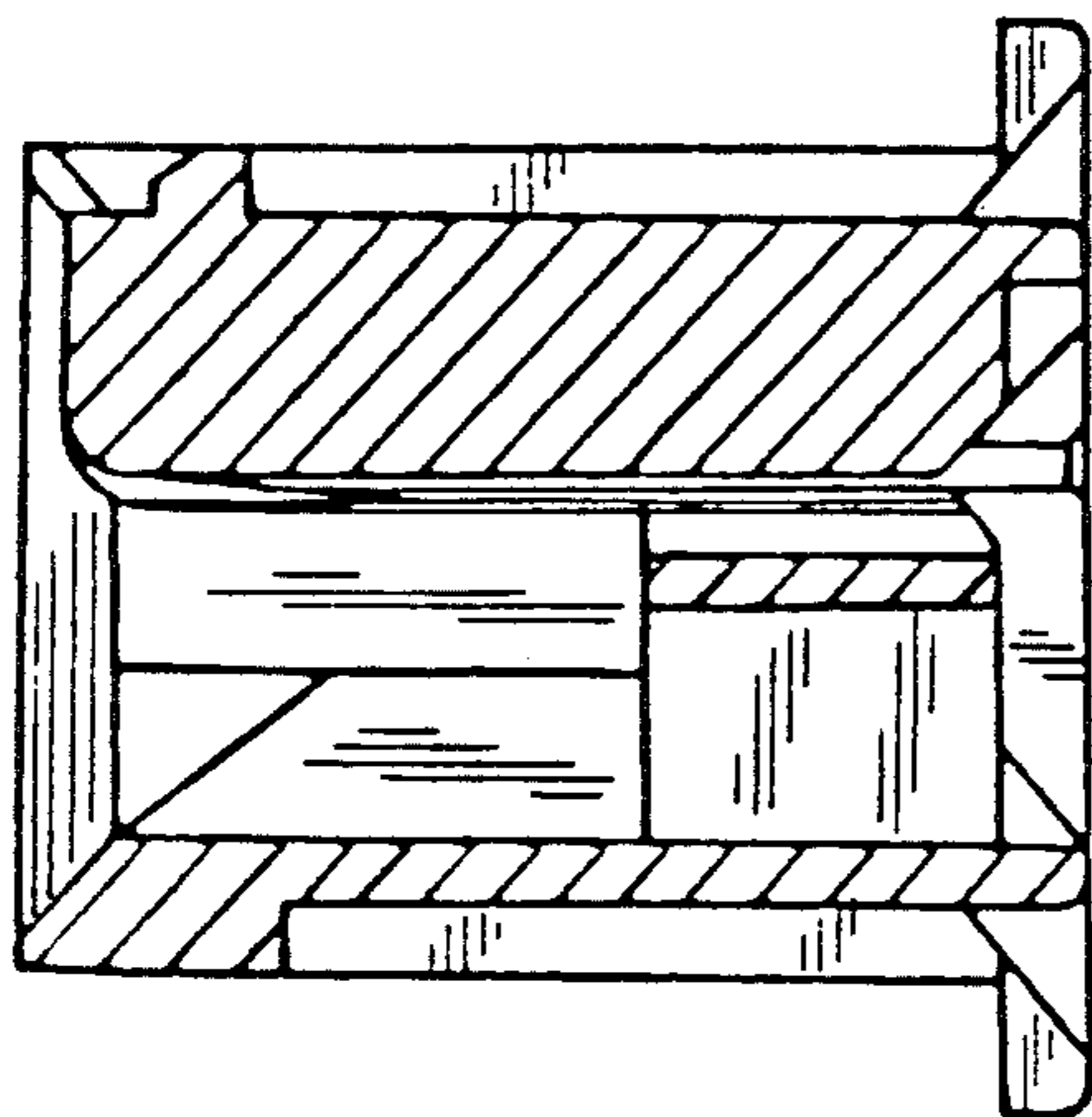


FIG. 8

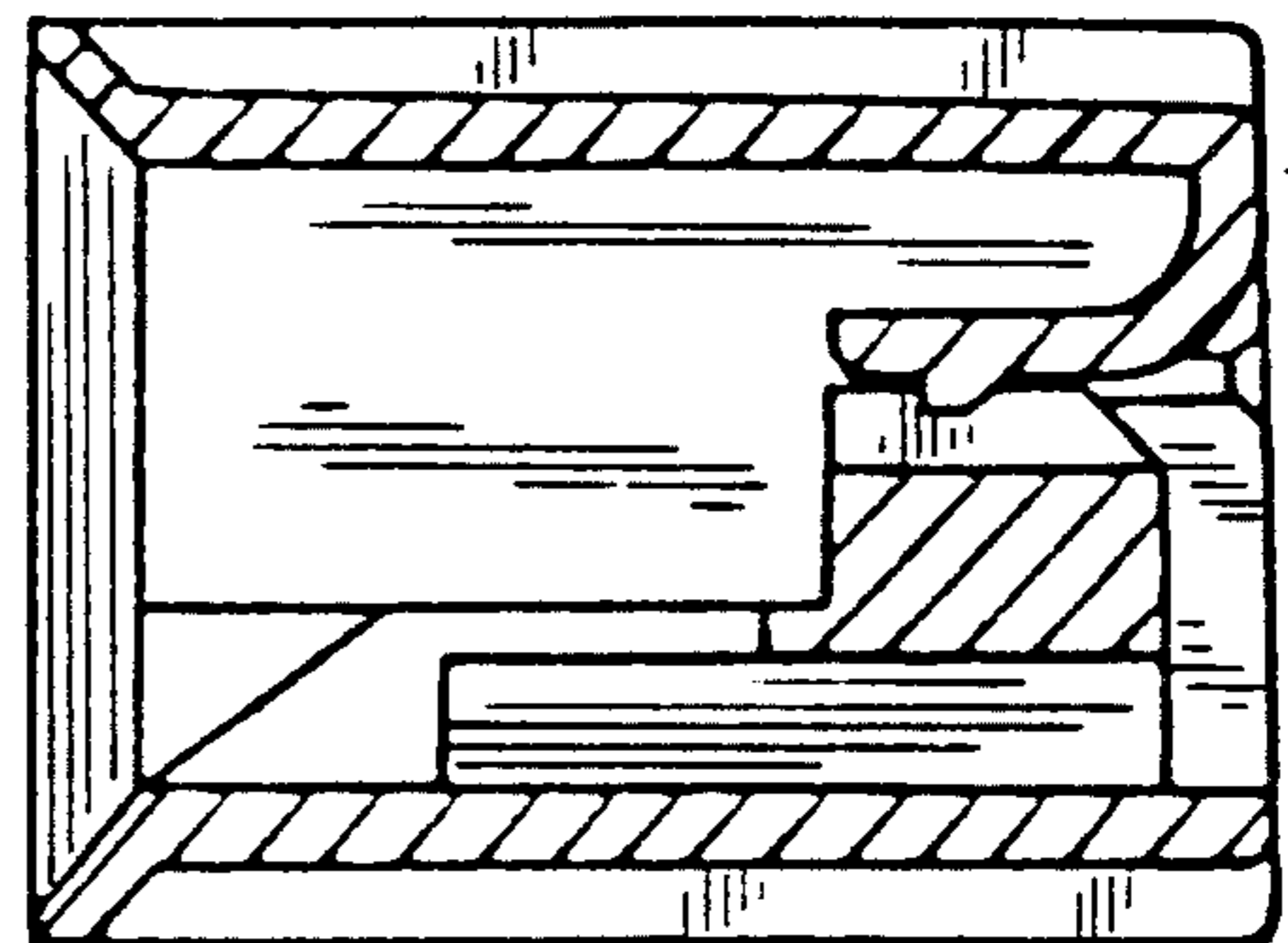


FIG. 9