



US00D327250S

United States Patent [19]

[11] Patent Number: **Des. 327,250**

Moriai et al.

[45] Date of Patent: *** Jun. 23, 1992**

[54] **INNER HOUSING FOR AN ELECTRICAL CONNECTOR**

0274408 9/1964 Netherlands 439/682
1500722 2/1978 United Kingdom 439/357

[75] Inventors: **Yasuharu Moriai; Osamu Ito**, both of Suzuka, Japan

Primary Examiner—Susan J. Lucas
Assistant Examiner—J. Sincavage
Attorney, Agent, or Firm—Liddy Sullivan Galway
Begler & Peroff

[73] Assignee: **Sumitomo Wiring Systems, Ltd.**, Yokkaichi, Japan

[*] Notice: The portion of the term of this patent subsequent to Jun. 23, 2006 has been disclaimed.

[57] CLAIM

The ornamental design for an inner housing for an electrical connector, as shown and described.

[**] Term: **14 Years**

DESCRIPTION

[21] Appl. No.: **277,281**

FIG. 1 is a top perspective view of the inner housing for an electrical connector showing our new design. The broken line showing of the outer connector housing and the adjacent arrow are environmental elements included for illustrative purposes only and form no part of the claimed design;

[22] Filed: **Nov. 29, 1988**

[30] Foreign Application Priority Data

May 30, 1988 [JP] Japan 63-21207
[52] U.S. Cl. **D13/147**
[58] Field of Search D13/133, 146, 147;
439/353, 344, 357, 544, 550, 571, 572, 586, 587,
595, 603, 660, 682, 685, 686, 687, 695, 696, 701

FIG. 2 is a rear elevation view of the inner housing for an electrical connector showing our new design on an enlarged scale;

FIG. 3 is a front elevation view thereof;

FIG. 4 is a top plan view thereof;

FIG. 5 is a bottom plan view thereof;

FIG. 6 is a right side elevational view thereof, the left side elevational view being a mirror image;

FIG. 7 is a cross-sectional view thereof taken along line 7—7 of FIG. 4;

FIG. 8 is a cross-sectional view thereof taken along line 8—8 of FIG. 4; and,

FIG. 9 is a cross-sectional view thereof taken along line 9—9 of FIG. 4.

[56] References Cited

U.S. PATENT DOCUMENTS

3,275,765 9/1966 Ferdon et al. 439/660 X
4,657,331 4/1987 Coldren 439/571

FOREIGN PATENT DOCUMENTS

1524330 5/1968 France 439/682
0039491 4/1978 Japan 439/357

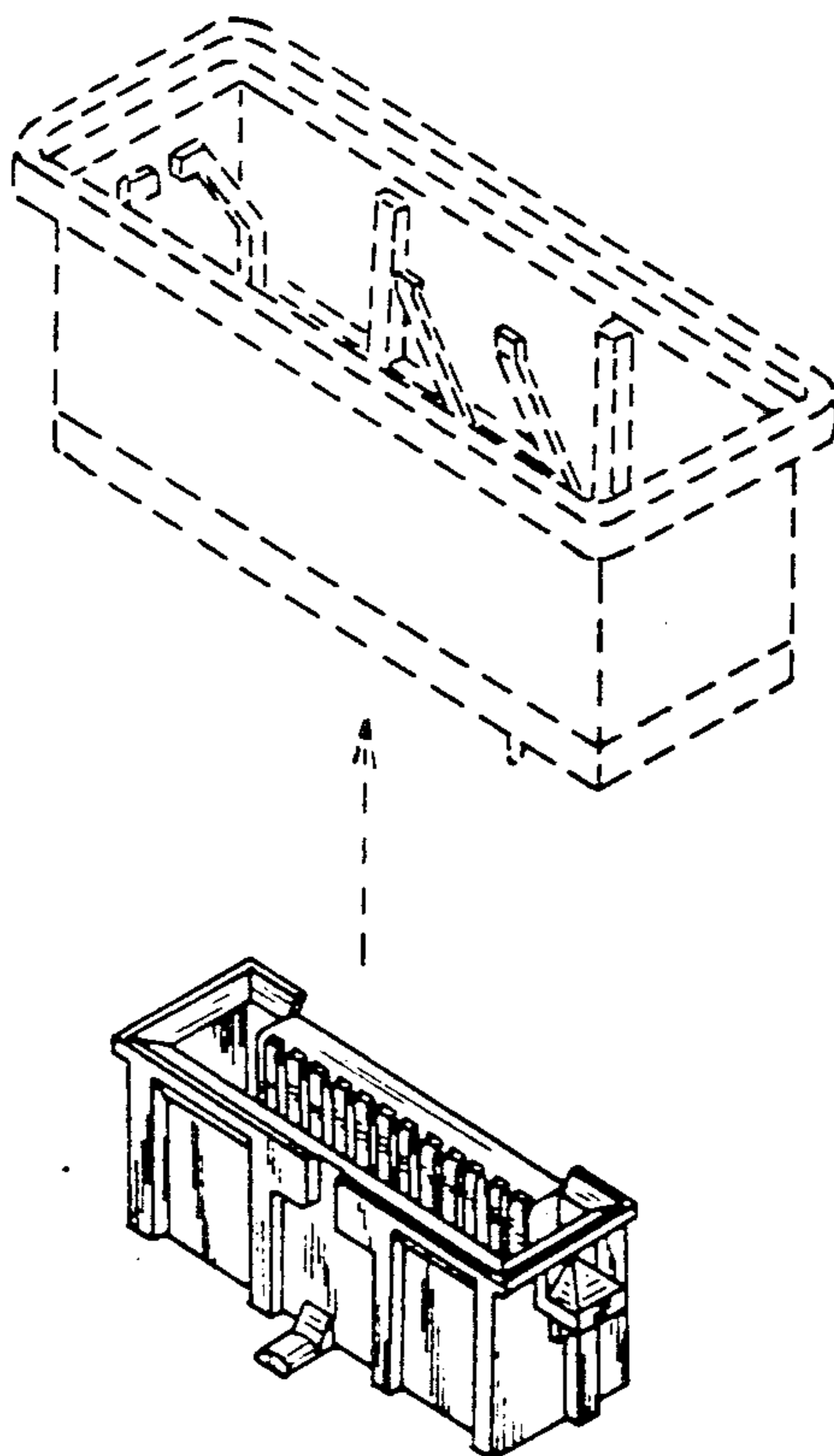


FIG. 1

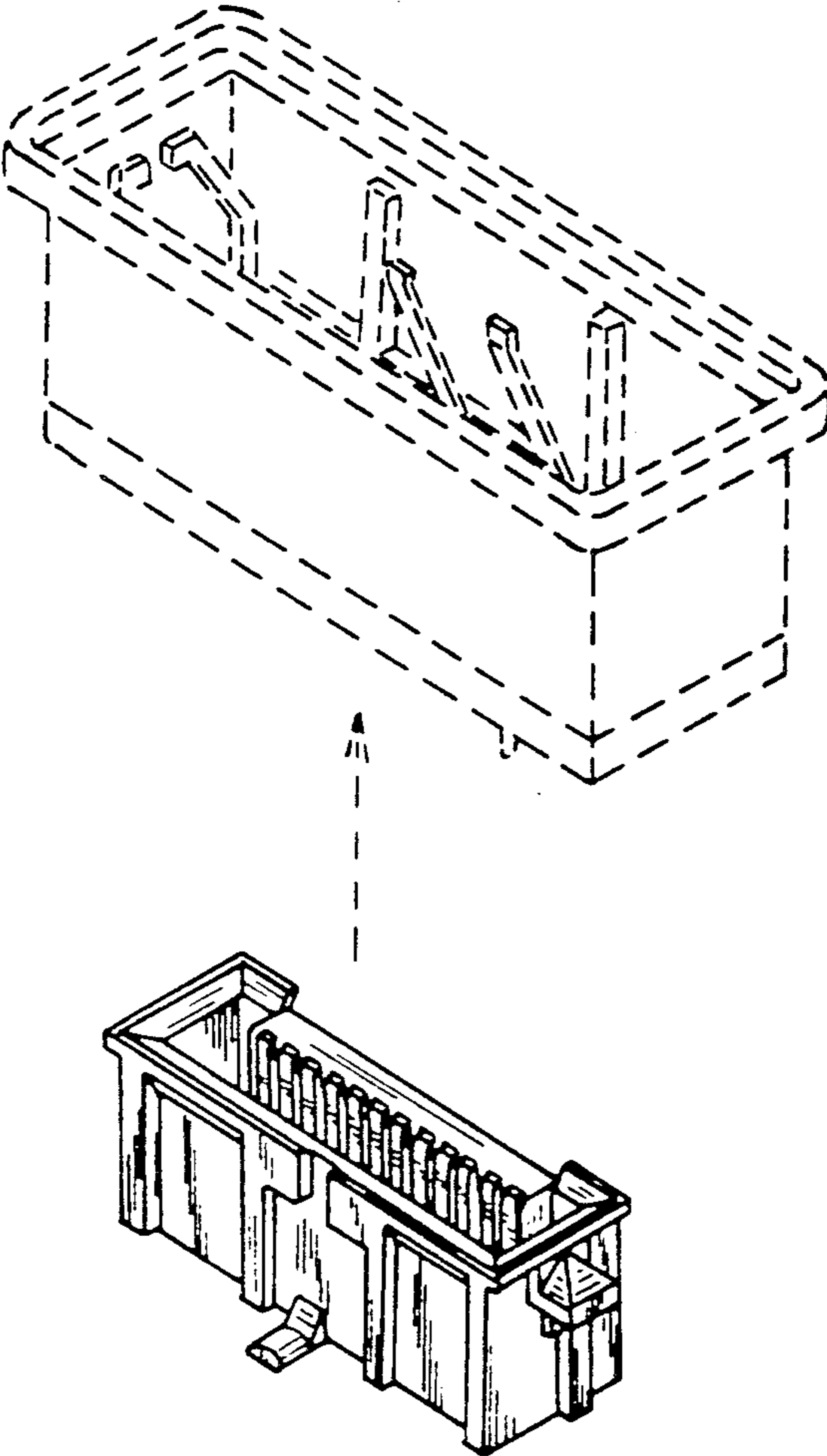


FIG. 2

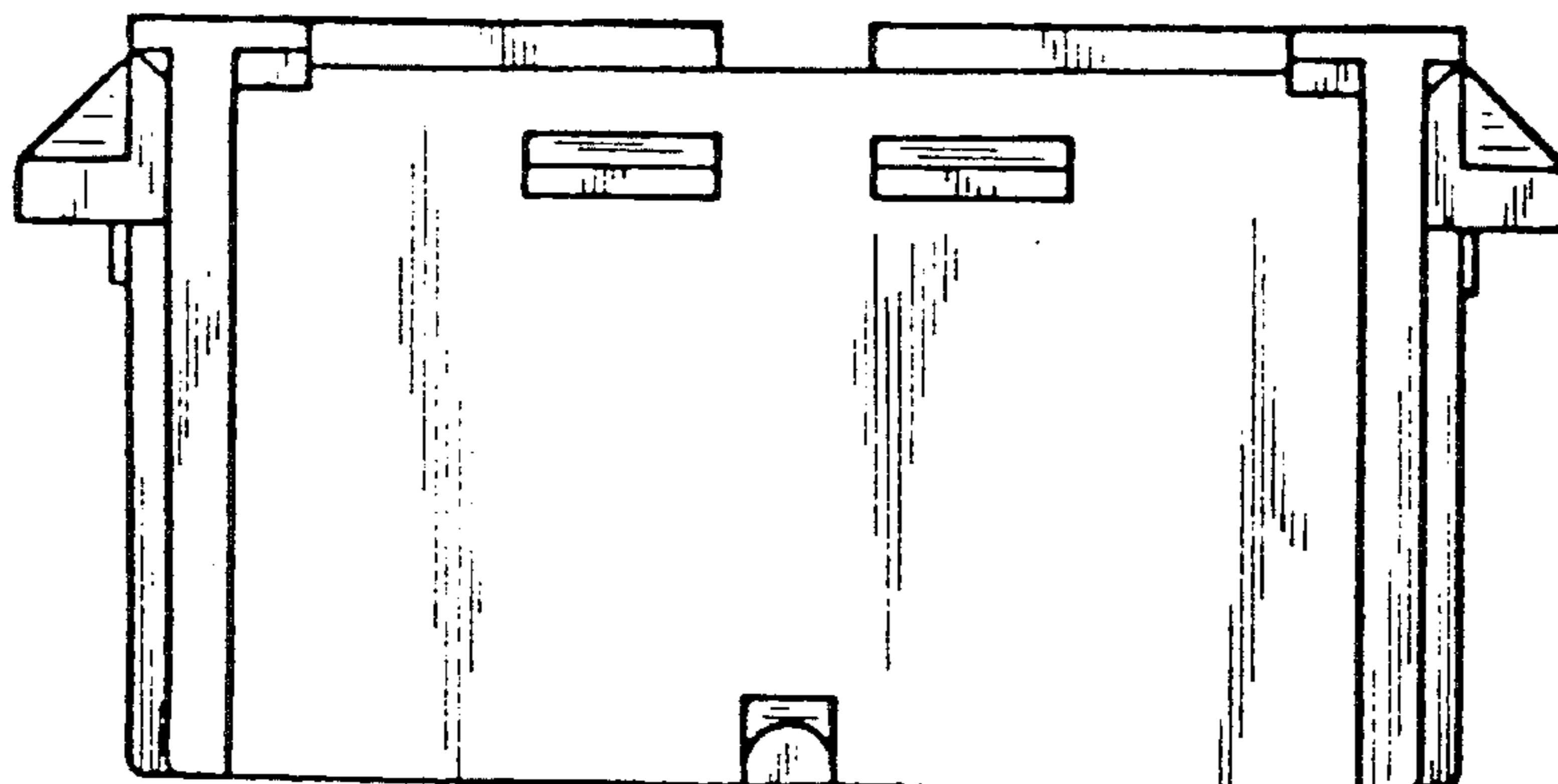


FIG. 3

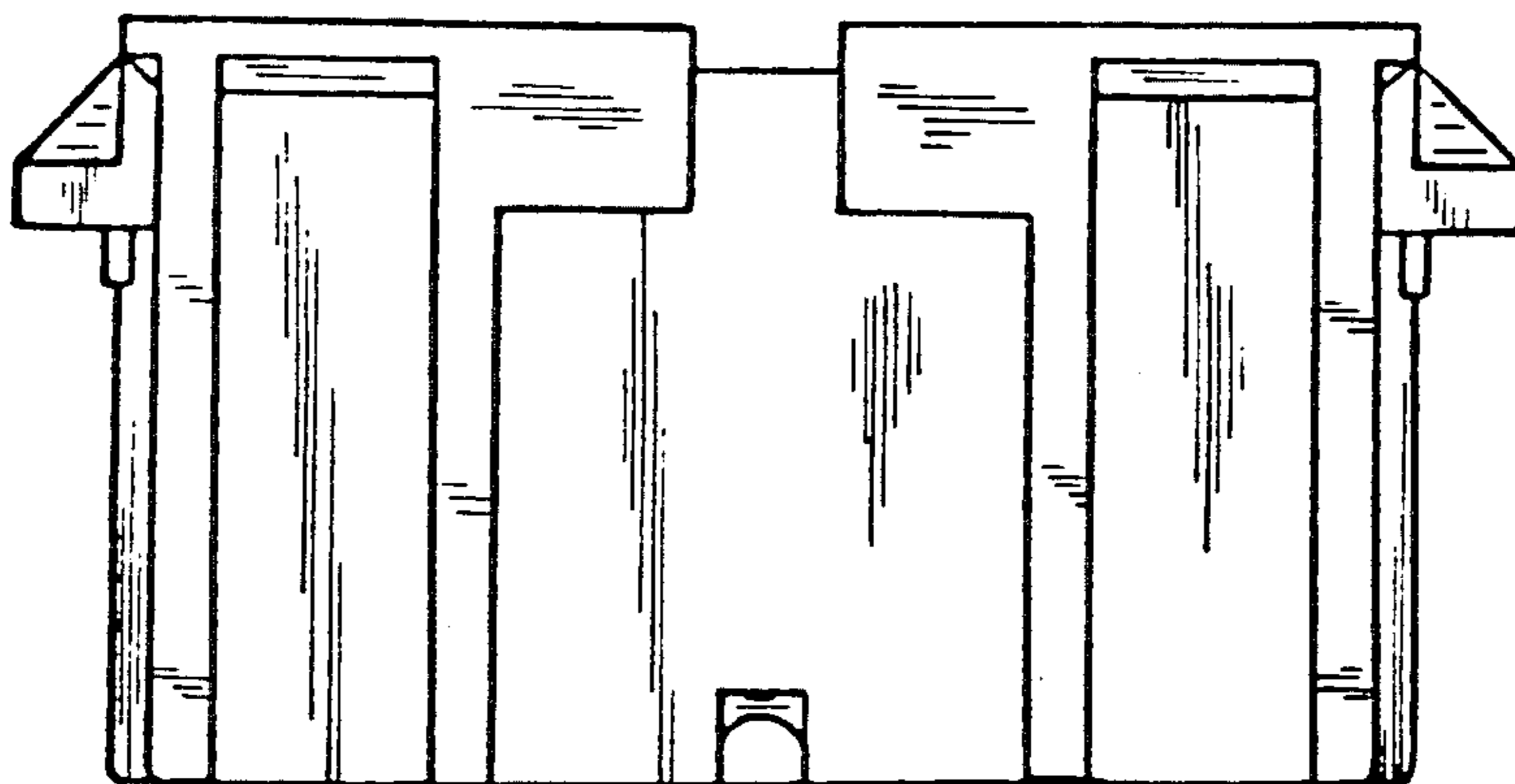


FIG. 4

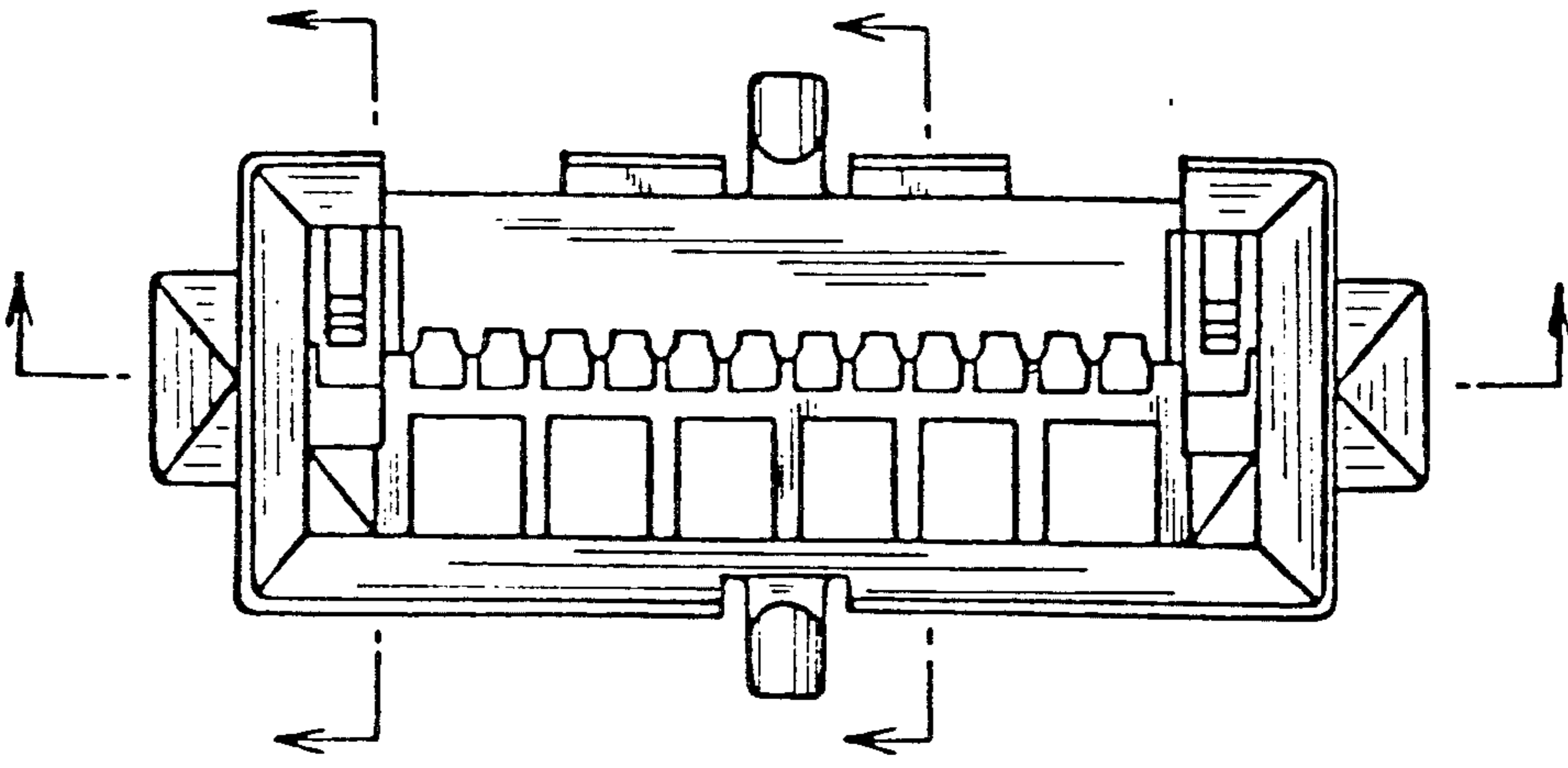


FIG. 5

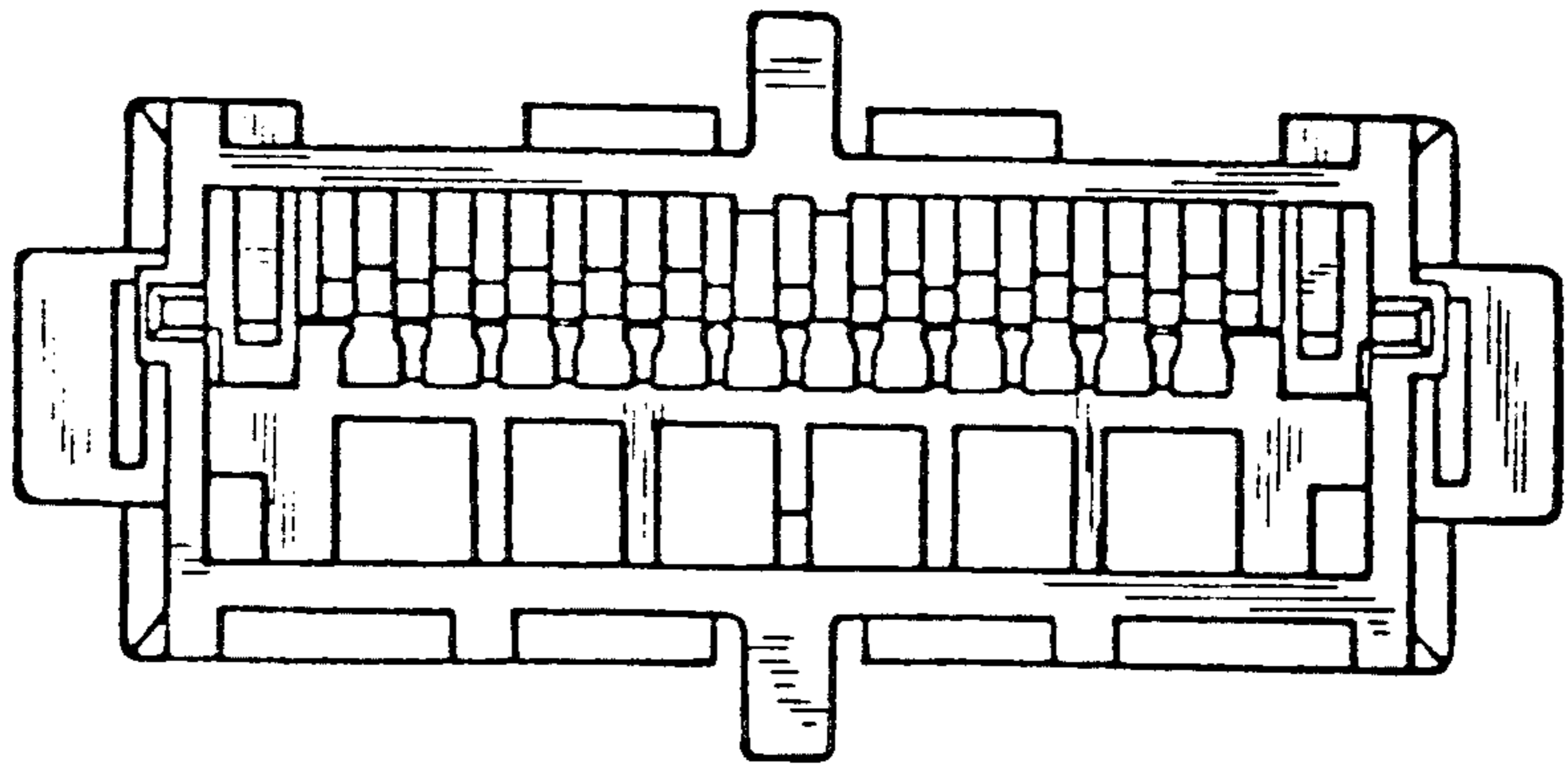


FIG. 6

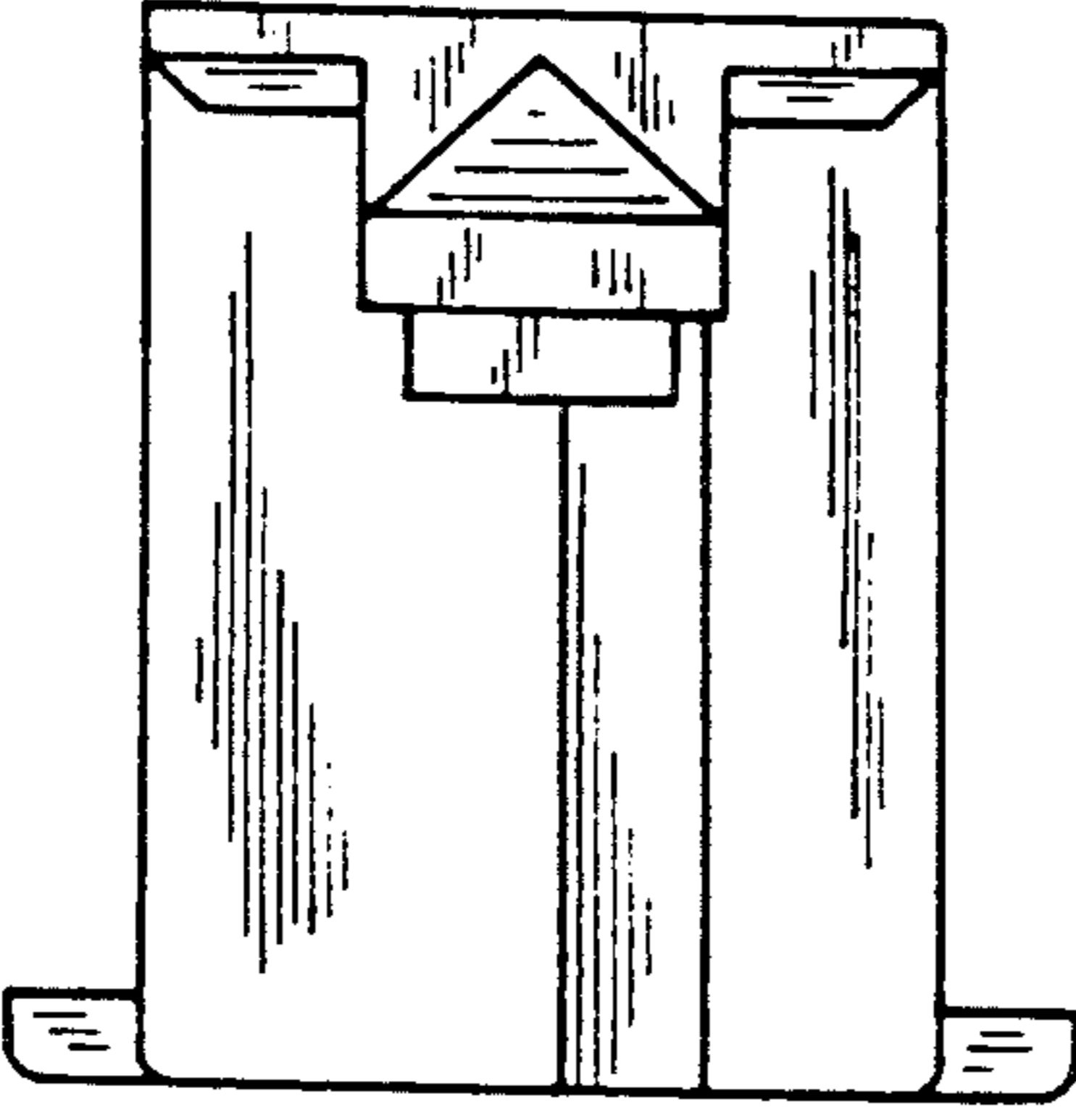


FIG. 7

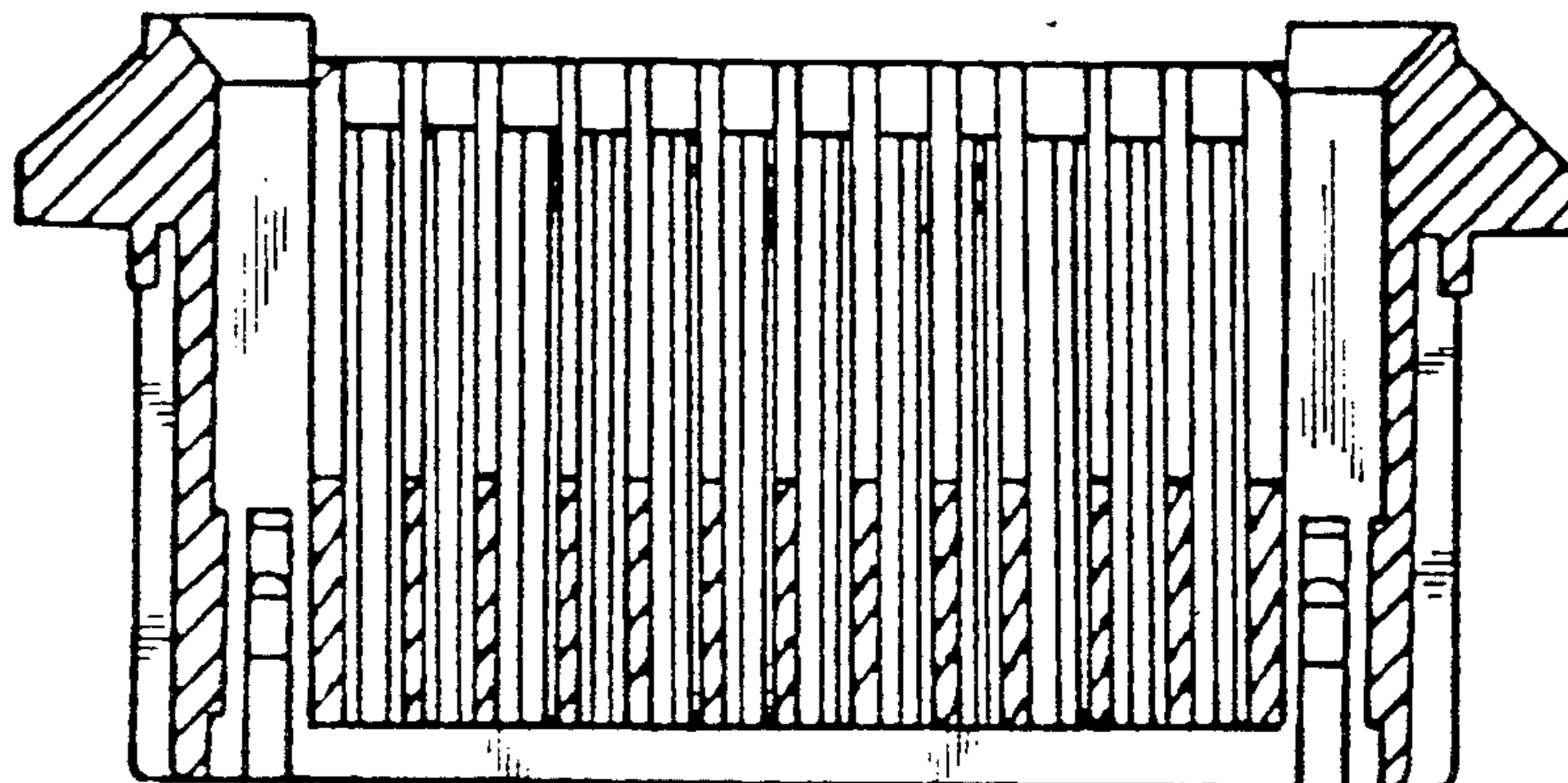


FIG. 8

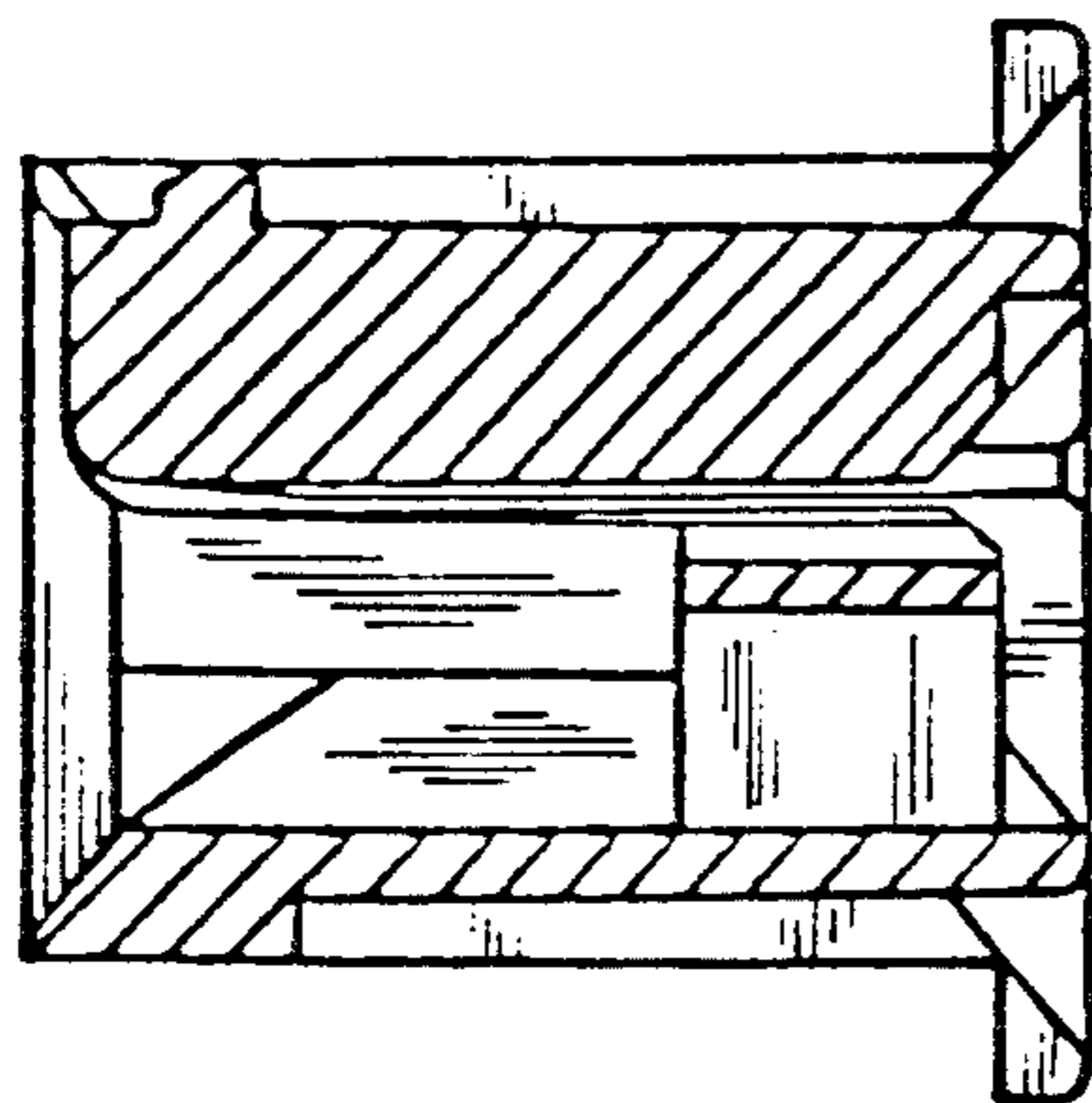


FIG. 9

