



US00D327249S

United States Patent [19]

Ohkura et al.

[11] Patent Number: **Des. 327,249**

[45] Date of Patent: **** Jun. 23, 1992**

[54] ELECTRICAL CONNECTOR HOUSING

[75] Inventors: **Kenji Ohkura, Hisai Shinichi Uchida,**
Yokkaichi, both of Japan

[73] Assignee: **Sumitomo Wiring Systems, Ltd.,**
Yokkaichi, Japan

[**] Term: **14 Years**

[21] Appl. No.: **419,788**

[22] Filed: **Oct. 11, 1989**

[52] U.S. Cl. **D13/133**

[58] Field of Search **D13/133, 146, 147;**
439/271, 275, 279, 282, 293, 297, 350, 352, 353,
357, 358, 571, 586, 587, 589, 595, 596, 598, 600,
680, 682, 685, 686, 687, 695, 701, 724, 744, 748,
752

[56] **References Cited**

U.S. PATENT DOCUMENTS

- D. 310,994 10/1990 Yagi et al. D13/146
- D. 310,995 10/1990 Yamamoto D13/147
- D. 311,375 10/1990 Kuzuno et al. D13/147
- D. 311,518 10/1990 Kuzuno et al. D13/146

- 4,772,229 9/1988 Nix et al. 439/752 X
- 4,867,699 9/1989 Oda et al. 439/350 X
- 4,975,082 12/1990 Nagasaka et al. 439/595

FOREIGN PATENT DOCUMENTS

- 0059787 3/1989 Japan 439/595

Primary Examiner—Susan J. Lucas

Assistant Examiner—J. Sincavage

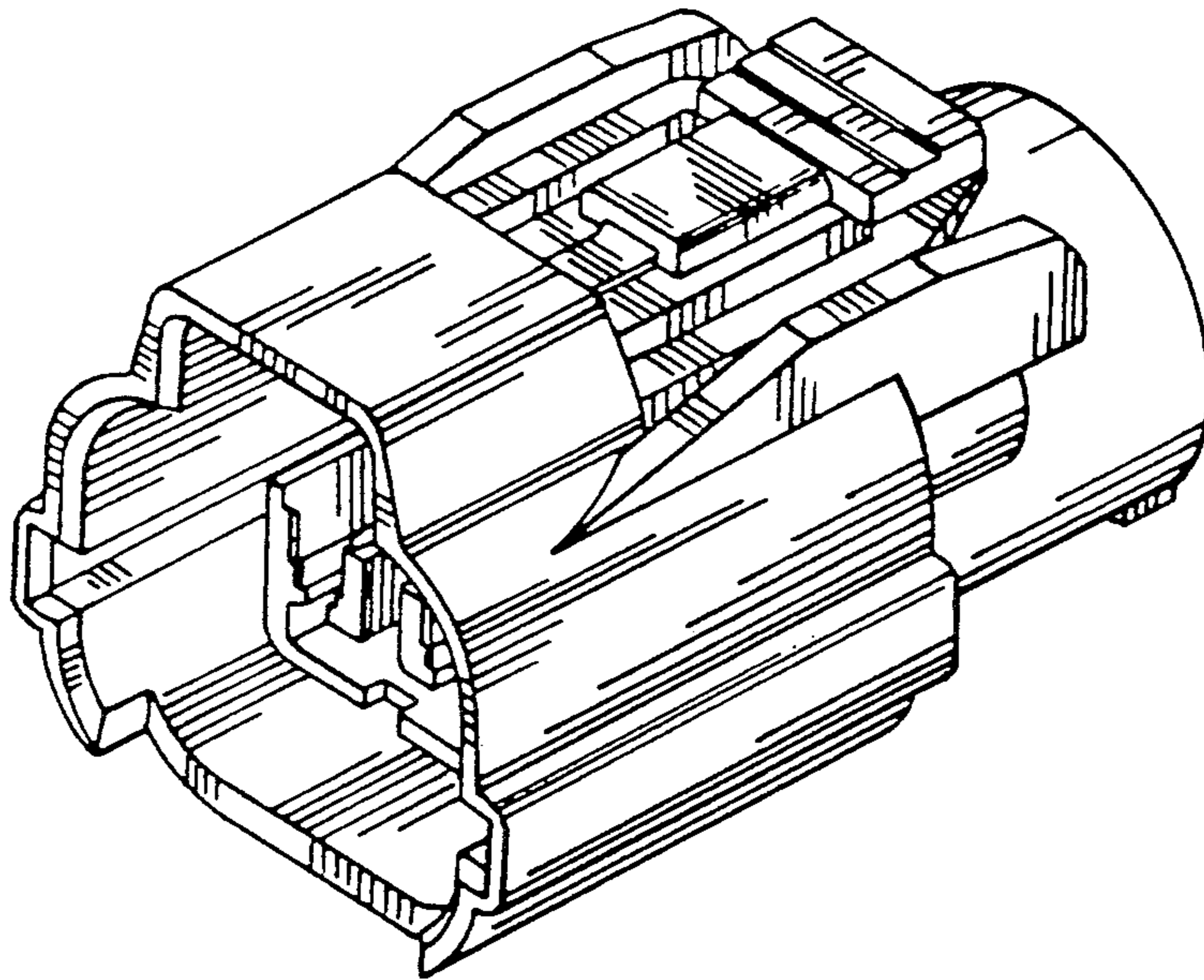
Attorney, Agent, or Firm—Liddy Sullivan Galway
Begler & Peroff

[57] **CLAIM**

The ornamental design for an electrical connector housing, as shown and described.

DESCRIPTION

FIG. 1 is a top plan view of an electrical connector housing showing our new design;
 FIG. 2 is a right side elevational view thereof, the left side elevational view thereof being a mirror image;
 FIG. 3 is a front elevational view thereof;
 FIG. 4 is a rear elevational view thereof;
 FIG. 5 is a bottom plan view thereof; and,
 FIG. 6 is a front and upper right perspective view thereof.



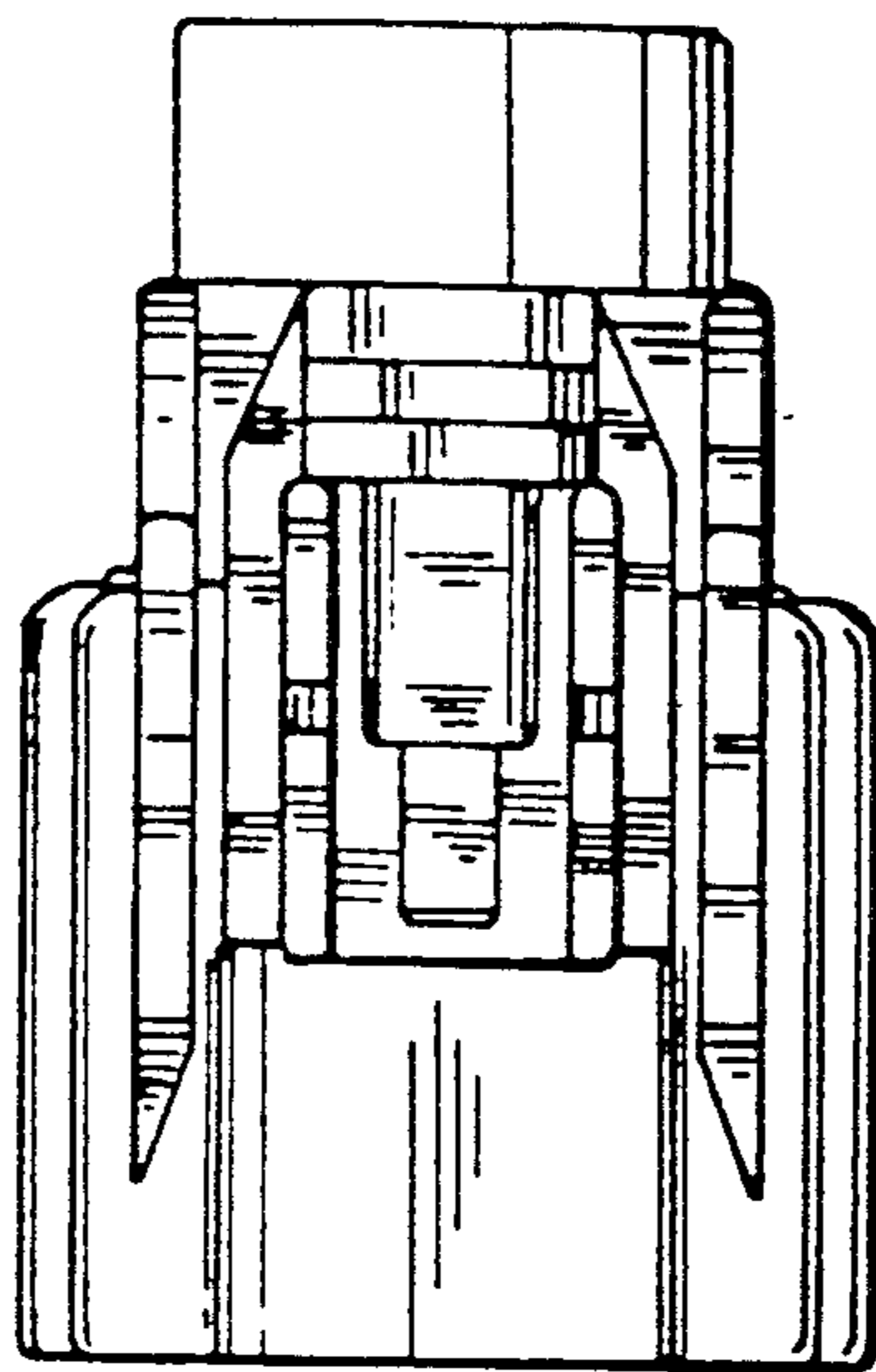


FIG. 1

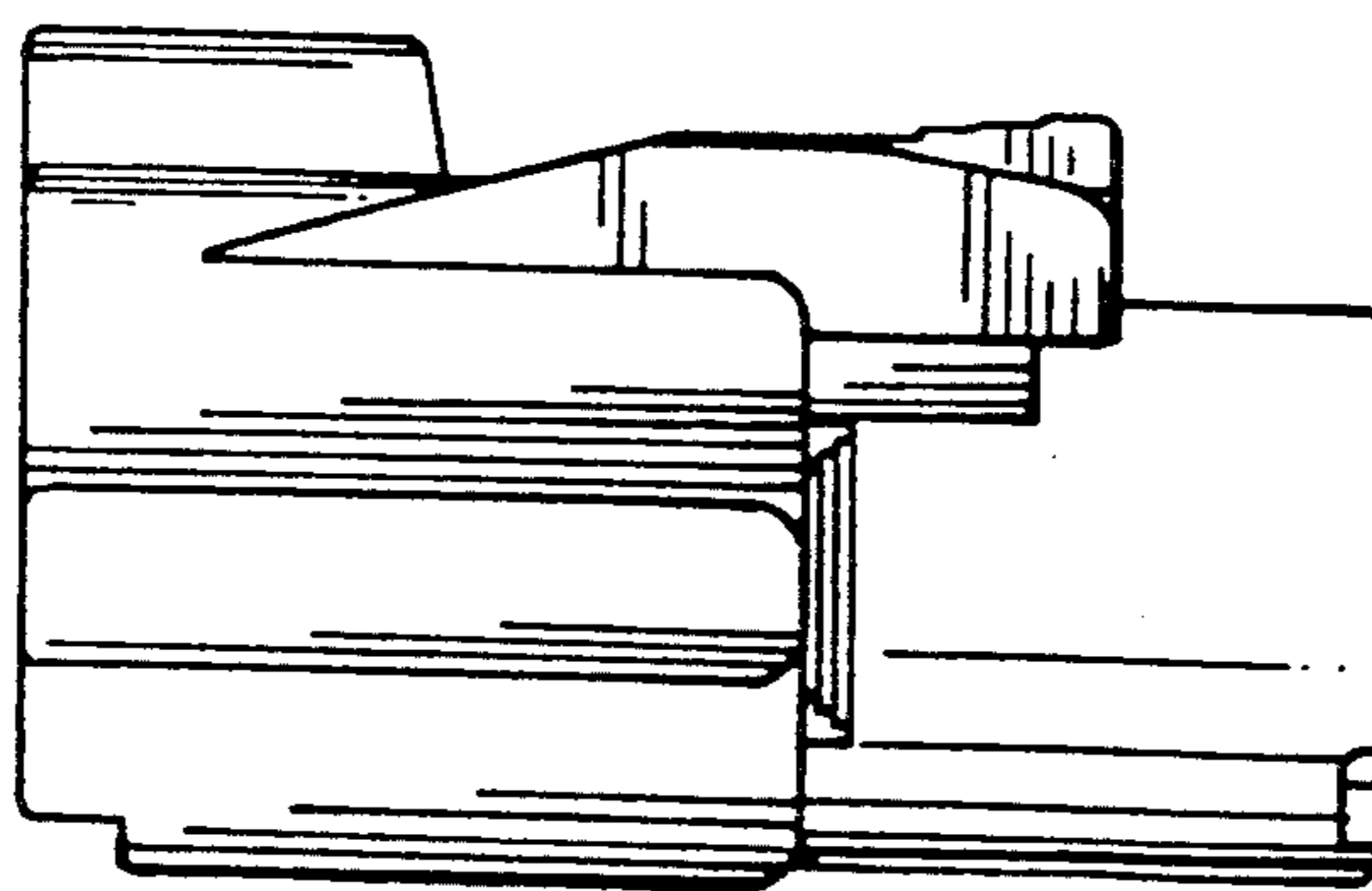


FIG. 2

FIG. 3

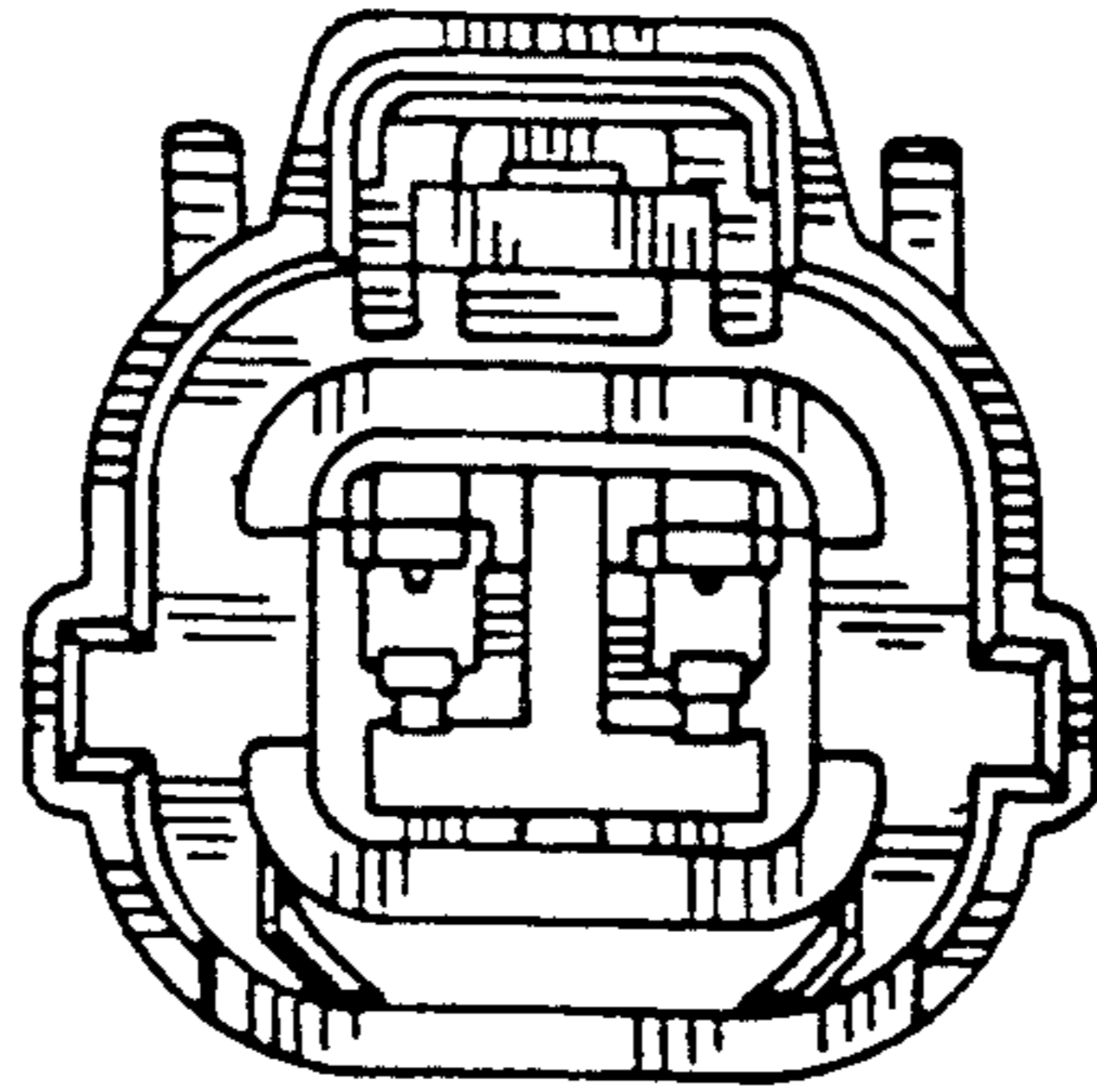


FIG. 4

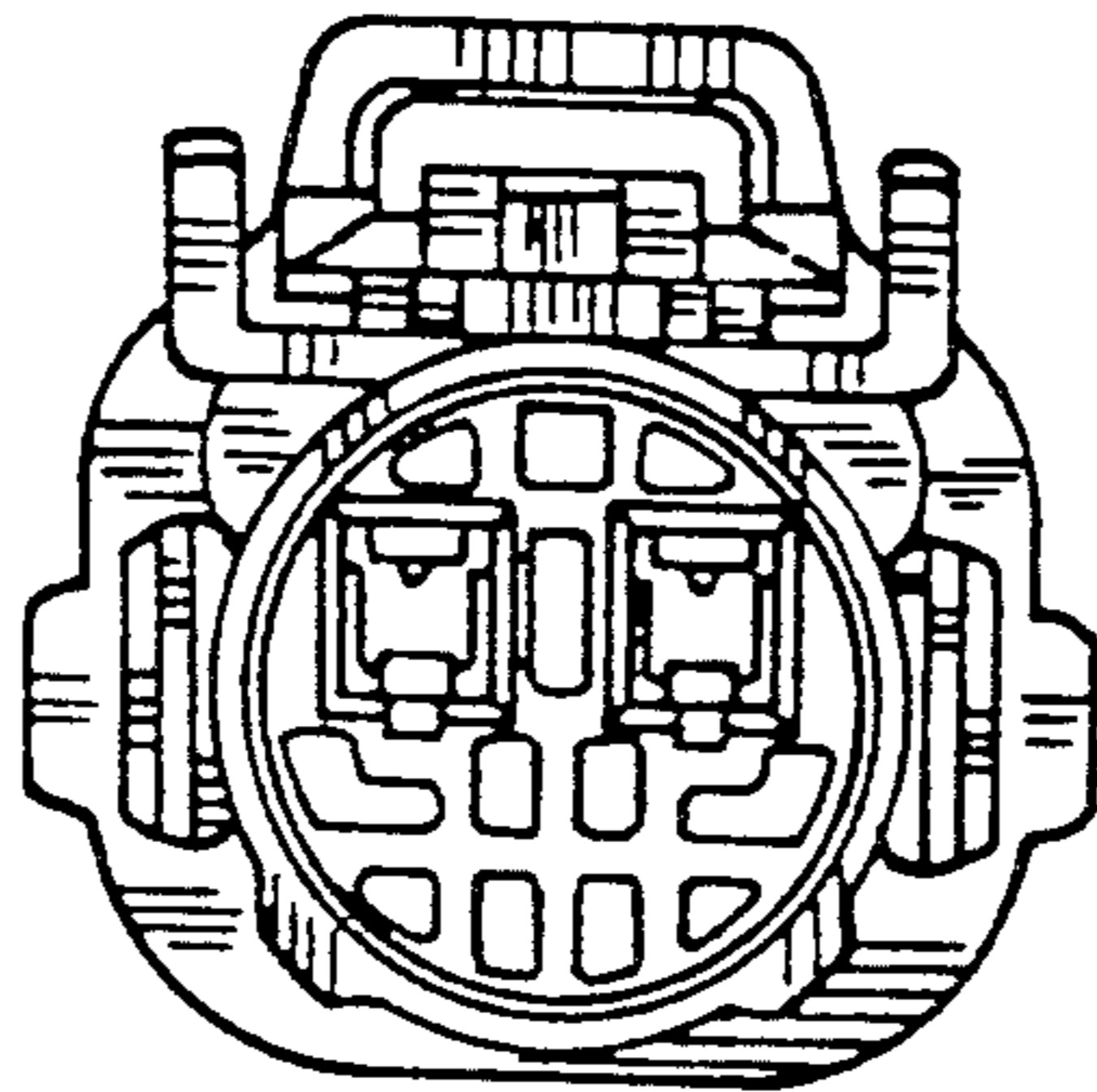
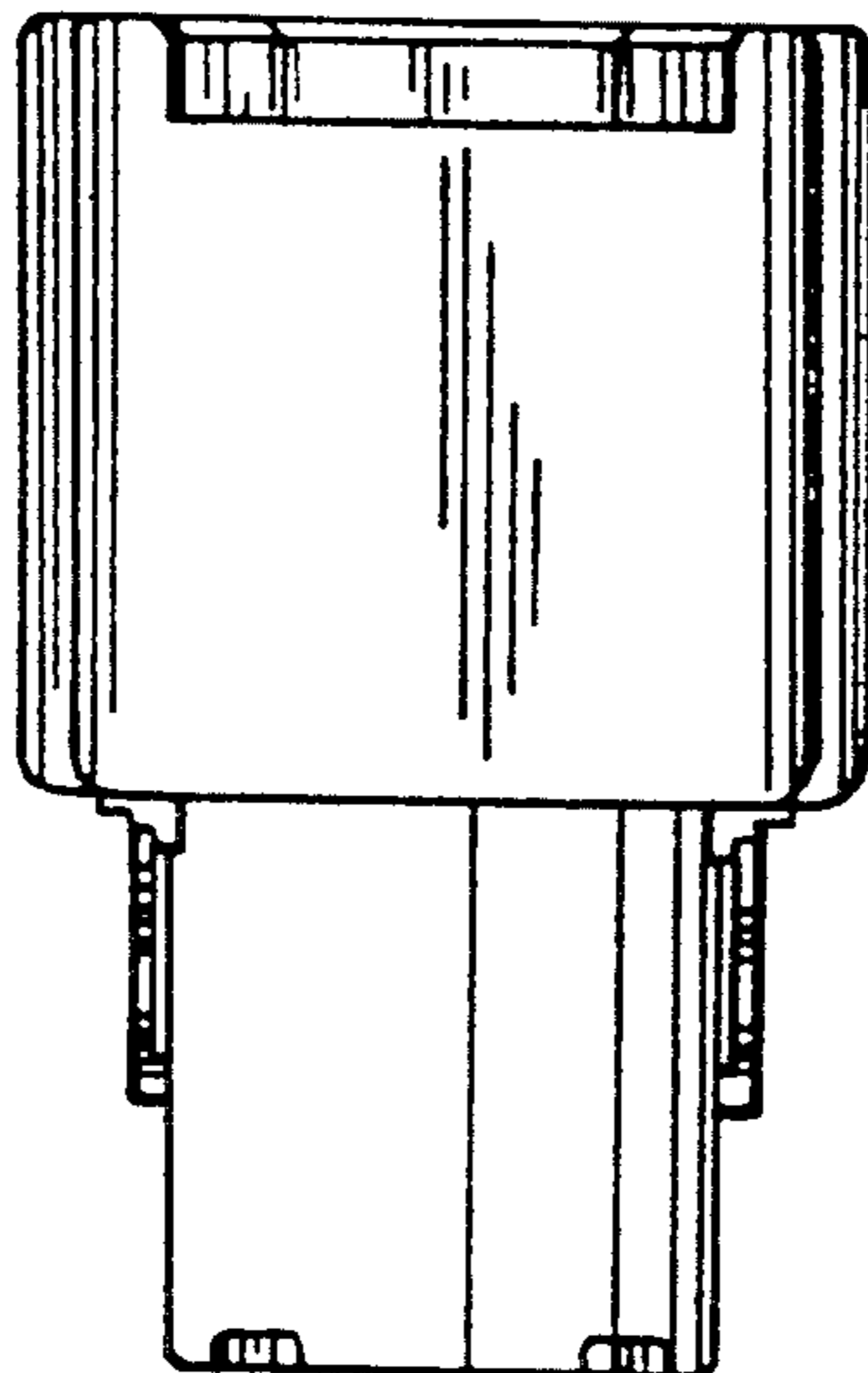


FIG. 5



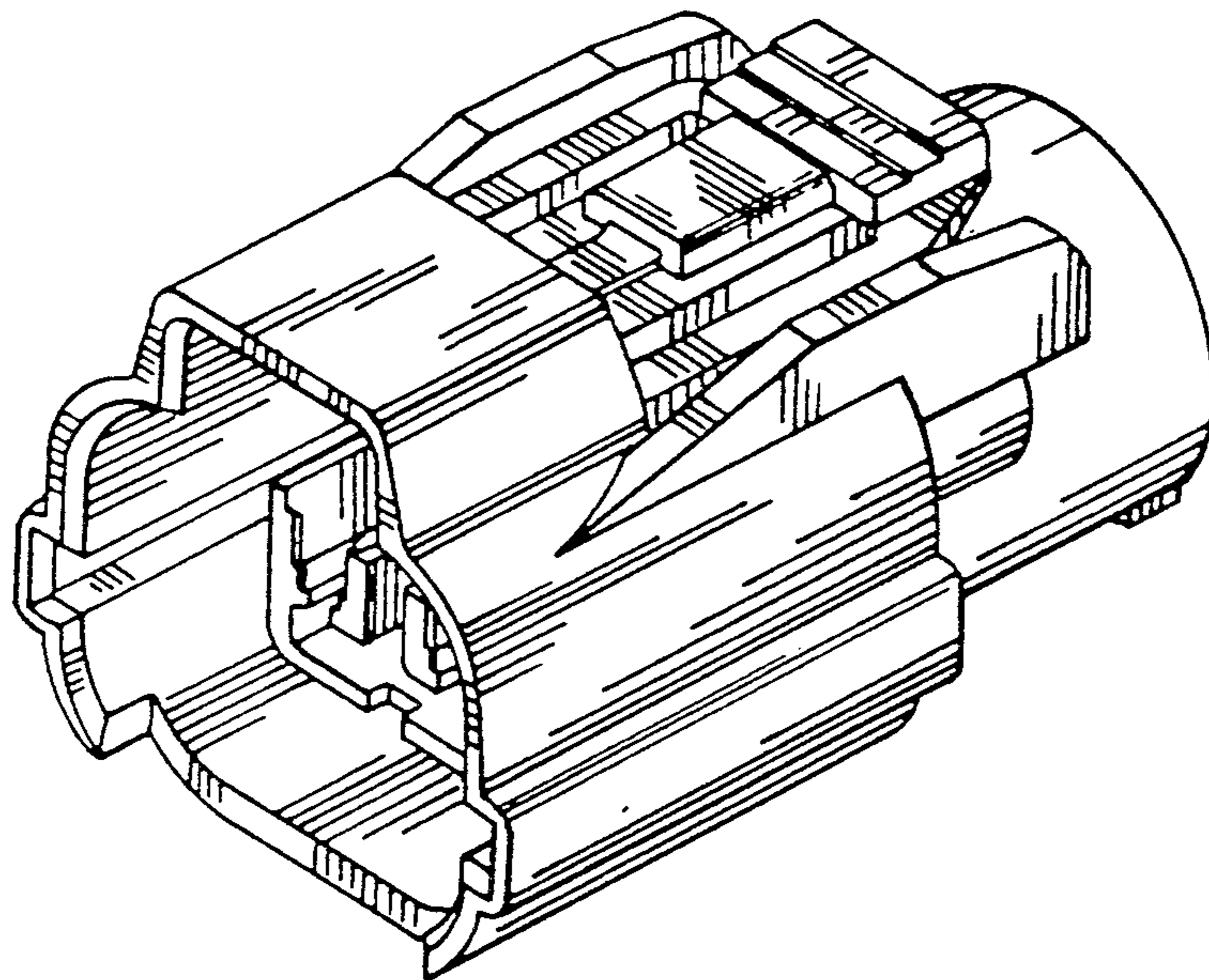


FIG. 6