



US00D327247S

United States Patent [19]

[11] Patent Number: **Des. 327,247**

Higuchi et al.

[45] Date of Patent: **** Jun. 23, 1992**

[54] RECHARGER FOR A BATTERY PACK FOR A MOBILE PHONE

[75] Inventors: **Masayuki Higuchi; Louise A. Brazee,** both of Norcross; **Daniel B. Chandler, Jr.,** Duluth, all of Ga.; **Yoshinori Miyazaki,** Minami-Kawachi, Japan

[73] Assignee: **OKI Telecom,** Suwanee, Ga.

[**] Term: **14 Years**

[21] Appl. No.: **499,073**

[22] Filed: **Mar. 26, 1990**

[52] U.S. Cl. **D13/108**

[58] Field of Search **D13/107, 108; 320/23**

[56] **References Cited**

U.S. PATENT DOCUMENTS

D. 227,123	6/1973	Sato	D13/107
D. 278,426	4/1985	Lanci et al.	D13/107
D. 298,136	10/1988	Toth et al.	D13/107 X
D. 307,016	4/1990	Watanabe	D13/108 X
D. 319,061	8/1991	Powell et al.	D14/240
D. 321,167	10/1991	Shimoo et al.	D13/107

FOREIGN PATENT DOCUMENTS

0034189	9/1987	Japan	D13/108 X
---------	--------	-------	-------	-----------

OTHER PUBLICATIONS

Fijitsu, Section 5, Instruction Manual for Model F80P-170 (3 sheets).
General Electric, flyer, GE*MINI™ Portable Cellular Telephone.

Mitsubishi Electric, Schematic for Personal Handheld Radio System.

Motorola, Cellular Portable Telephone flyer, 1985 (3 sheets).

NEC America, Inc., flyer, Specifications and System Configuration for P-9100, P-9110, P-9130.

NOVATEL flyer for "Accessories for your NovAtel MicroClassic PTR-800", 1989.

Panasonic flyer for 500 Series Cellular Phone Accessories (2 sheets).

Technophone flyer, "Technophone Accessories" (2 sheets).

Primary Examiner—Susan J. Lucas

Assistant Examiner—Joel Sincavage

Attorney, Agent, or Firm—Jones, Askew & Lunsford

[57] **CLAIM**

The ornamental design for a recharger for a battery pack for a mobile phone, as shown and described.

DESCRIPTION

FIG. 1 is a front and upper left perspective view of a recharger for a battery pack for a mobile phone showing our new design. The broken line showing of the battery pack is included for the purpose of illustrating environmental elements only and forms no part of the claimed design;

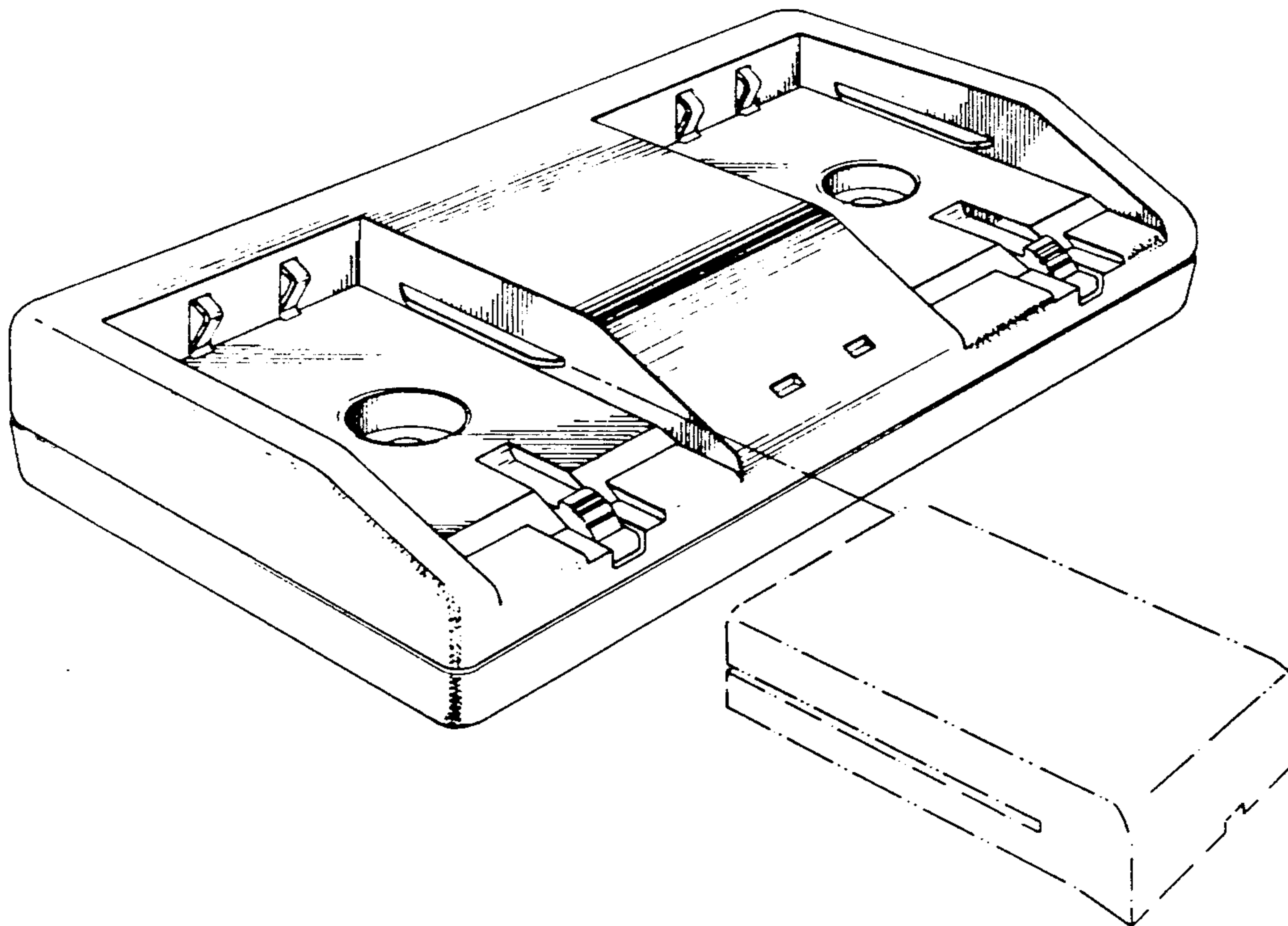
FIG. 2 is a top plan view thereof;

FIG. 3 is a front elevation view thereof;

FIG. 4 is a right side elevational view thereof, the left side elevational view thereof being a mirror image;

FIG. 5 is a back elevation view thereof; and,

FIG. 6 is a bottom plan view thereof.



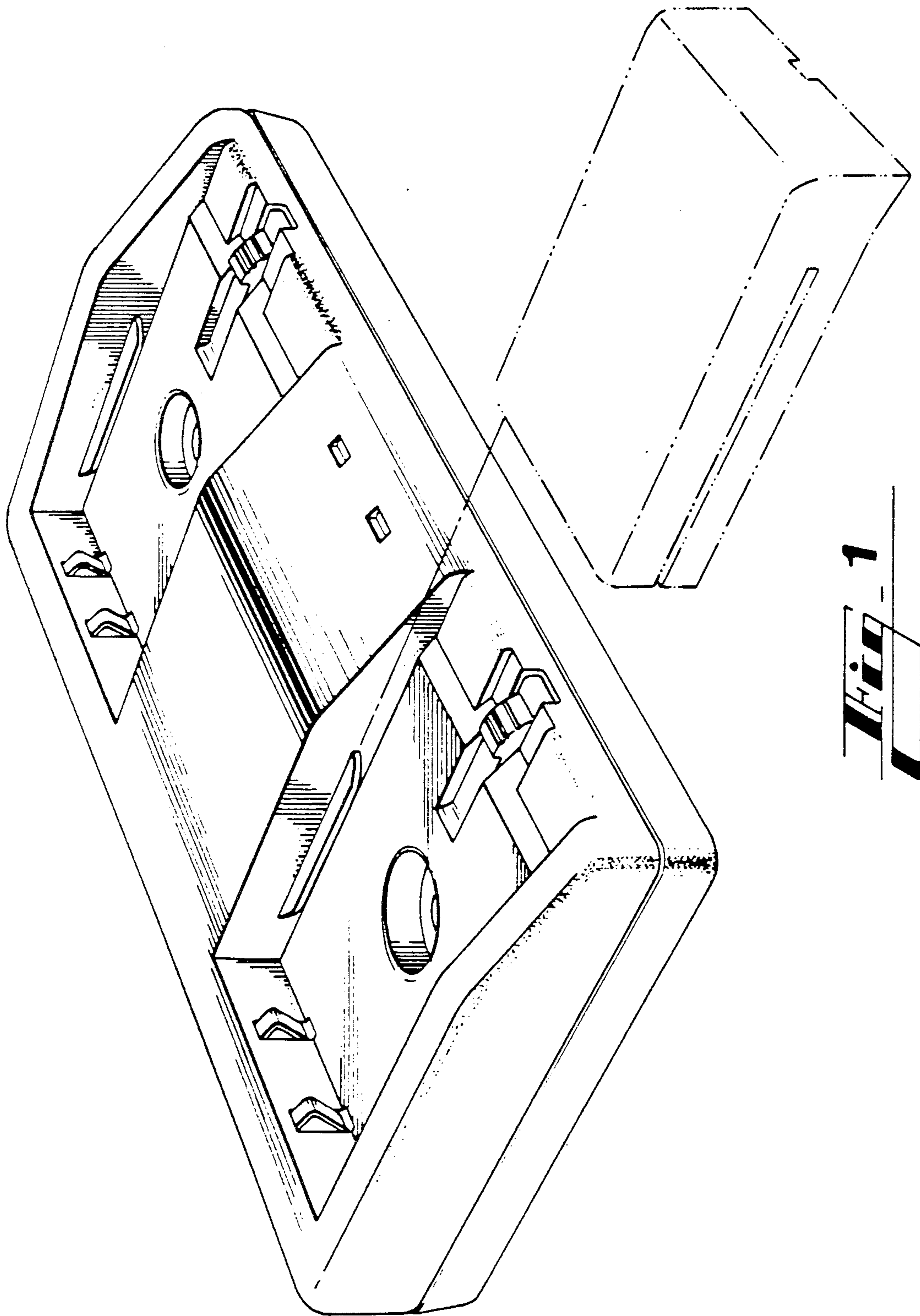


Fig. 1

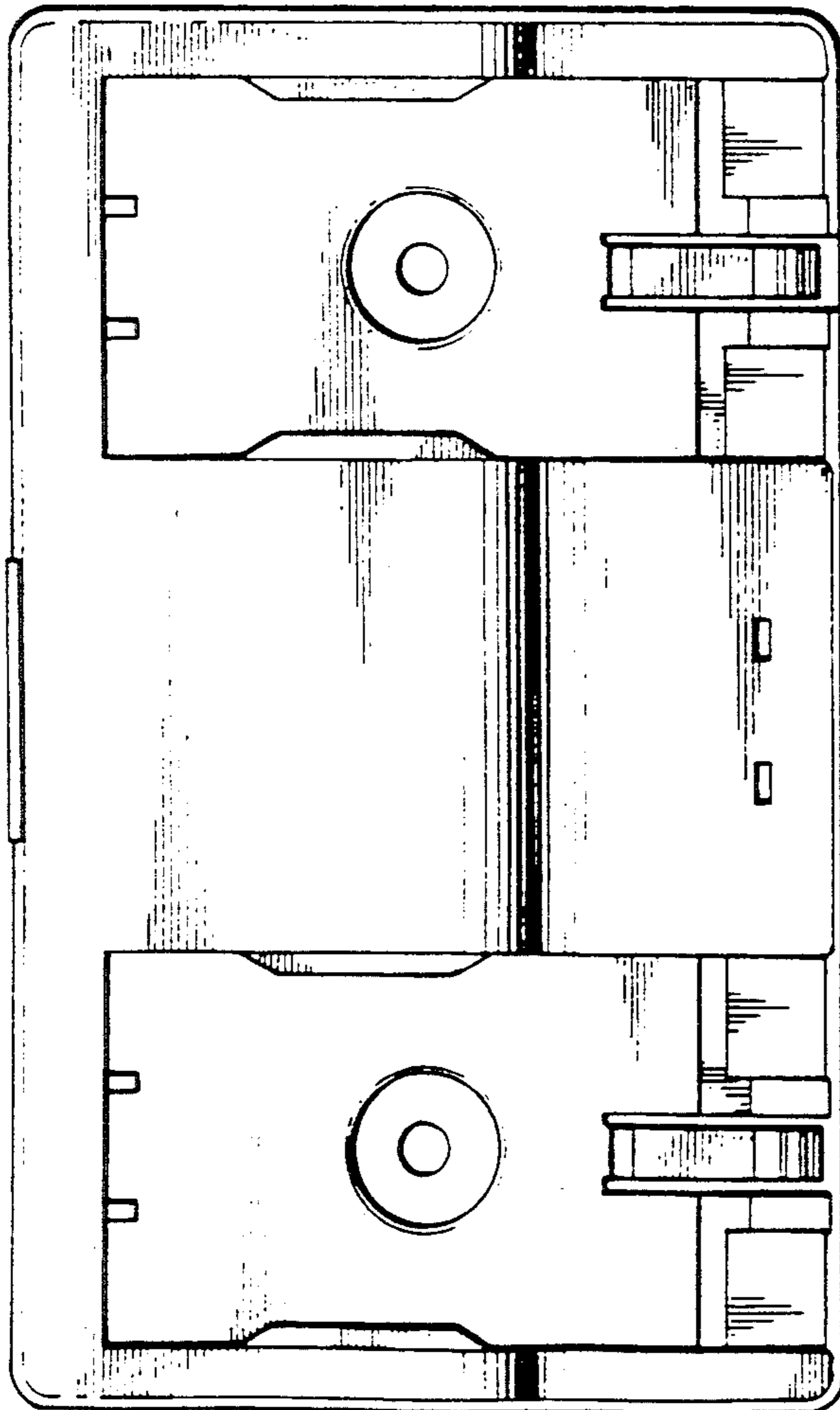


Fig. 2

Fig. 3

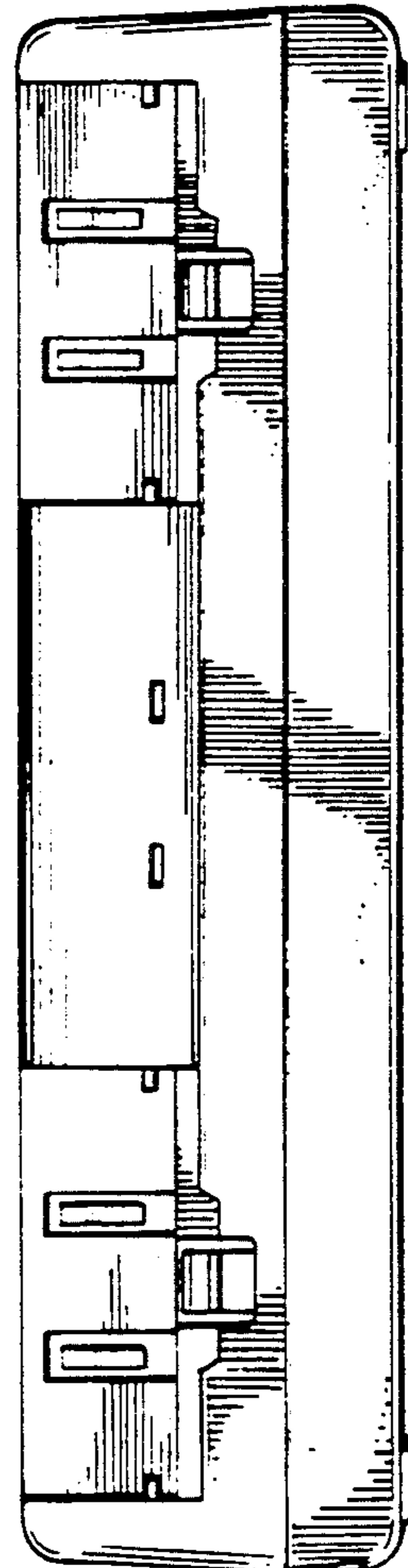
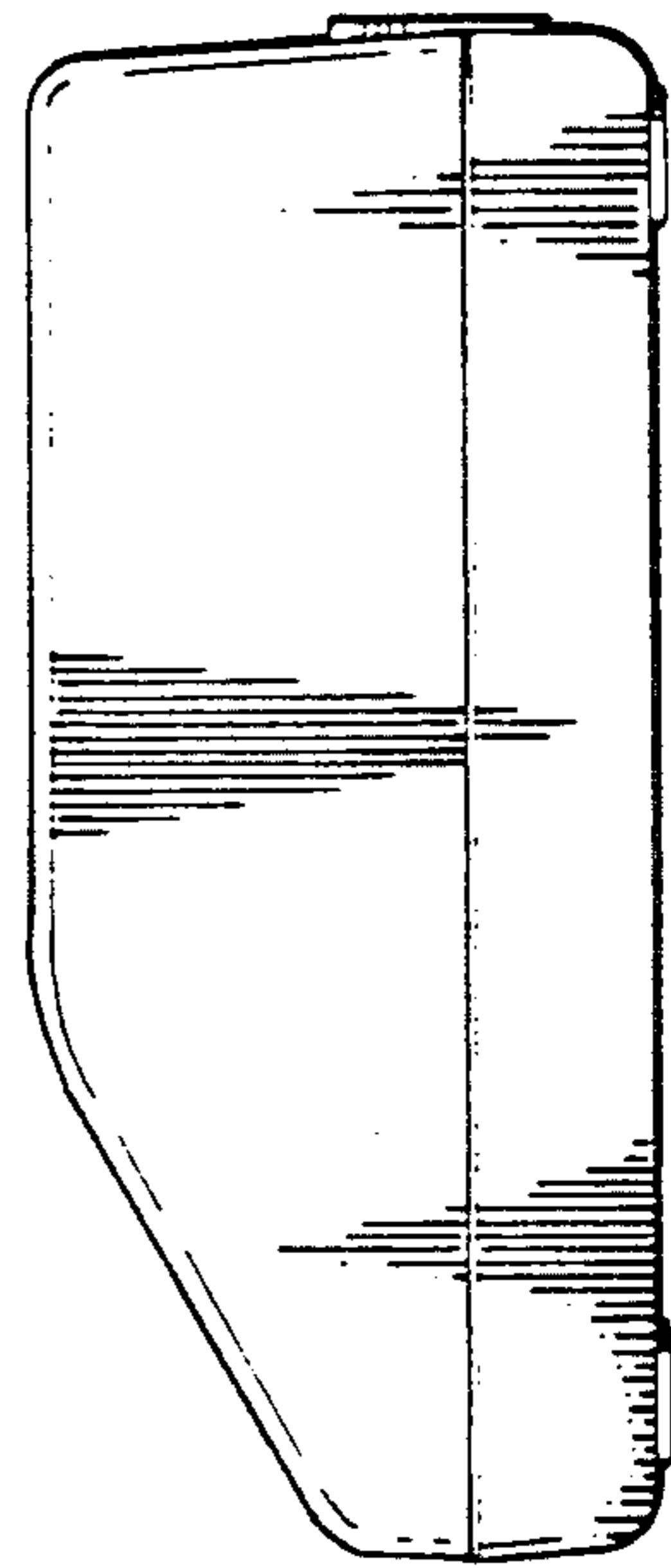


Fig. 4



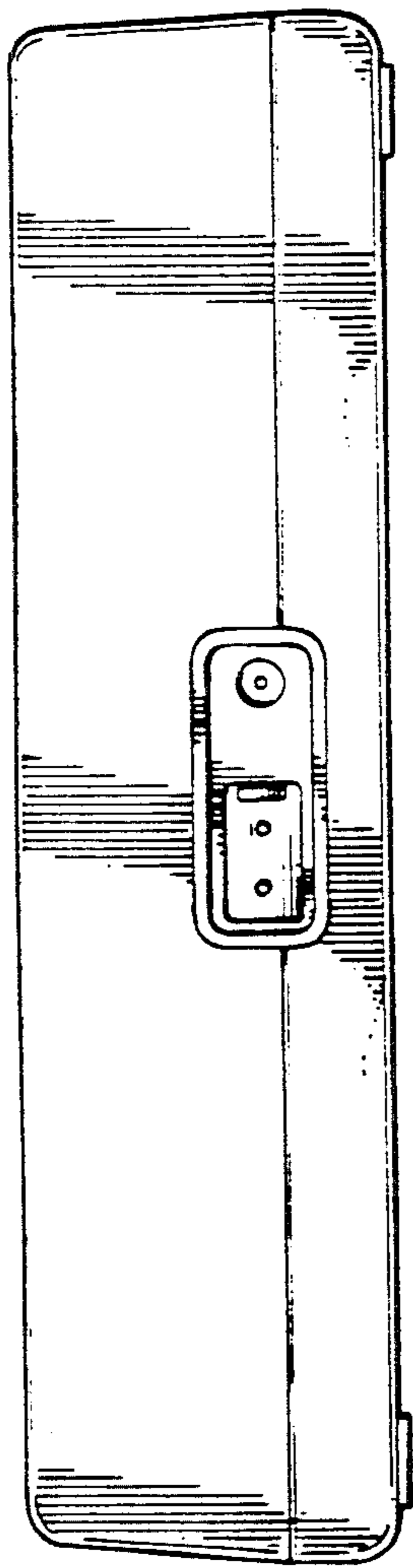


Fig-5

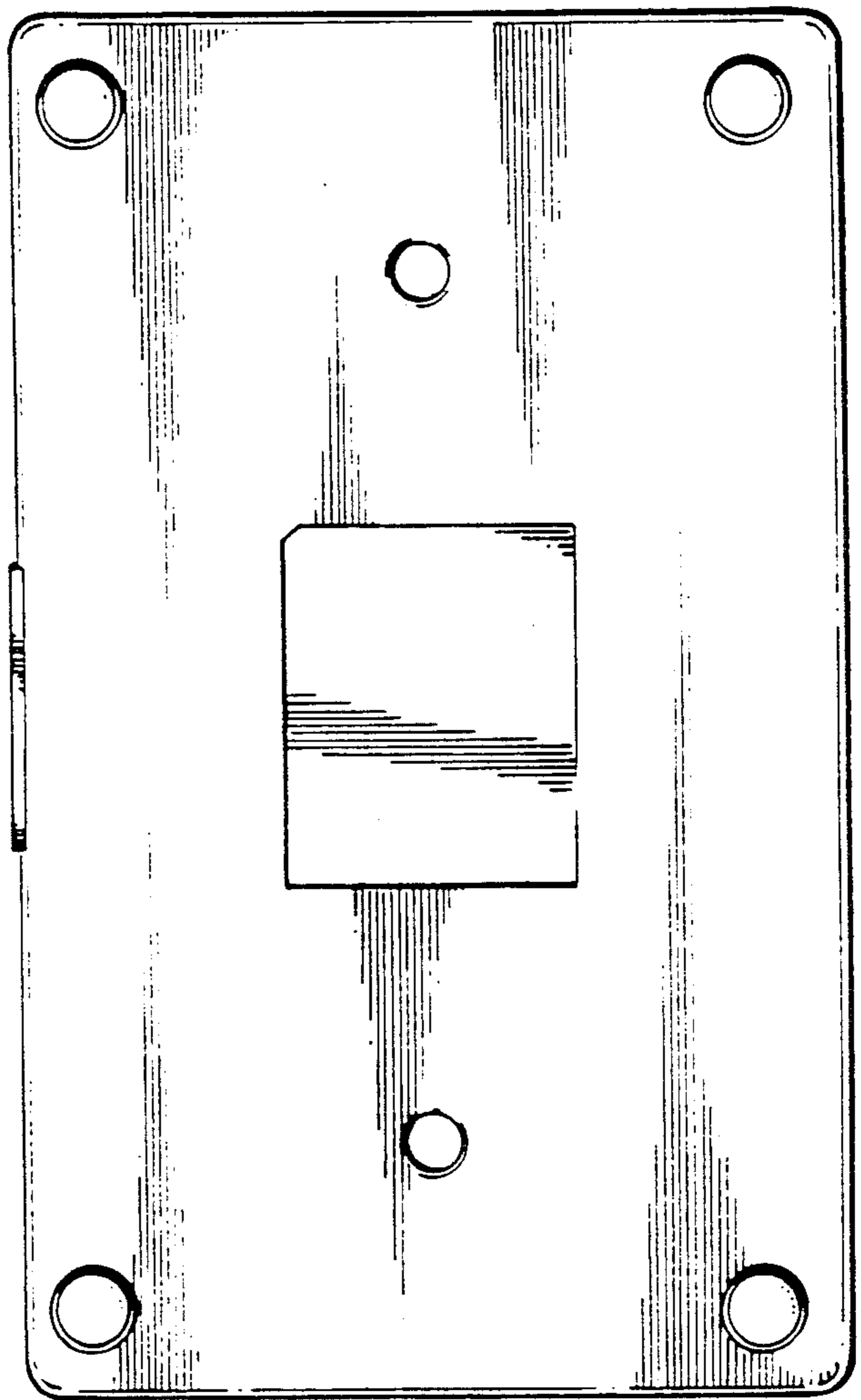


Fig-6