



US00D327240S

United States Patent [19] Jackson

[11] Patent Number: **Des. 327,240**
[45] Date of Patent: **** Jun. 23, 1992**

[54] **TRICYCLE HAVING A SUNROOF AND CARRIAGE COMPARTMENT**

[76] Inventor: **Leroy Jackson, 2017 Watling Dr., Marrero, La. 70072**

[**] Term: **14 Years**

[21] Appl. No.: **565,751**

[22] Filed: **Aug. 13, 1990**

[52] U.S. Cl. **D12/112**

[58] Field of Search **D12/112, 16, 113; 280/202, 204, 231, 282; 296/181, 97.21**

[56] **References Cited**

U.S. PATENT DOCUMENTS

D. 246,776	12/1977	Moore	D12/112
D. 252,456	7/1979	Phillips	D12/111
D. 254,968	5/1980	Moore	D12/112
D. 289,273	4/1987	Berger	D12/112
D. 308,499	6/1990	Berger	D12/112

D. 310,644	9/1990	Koehler et al.	D12/112
4,546,992	10/1985	Swartz et al.	280/202

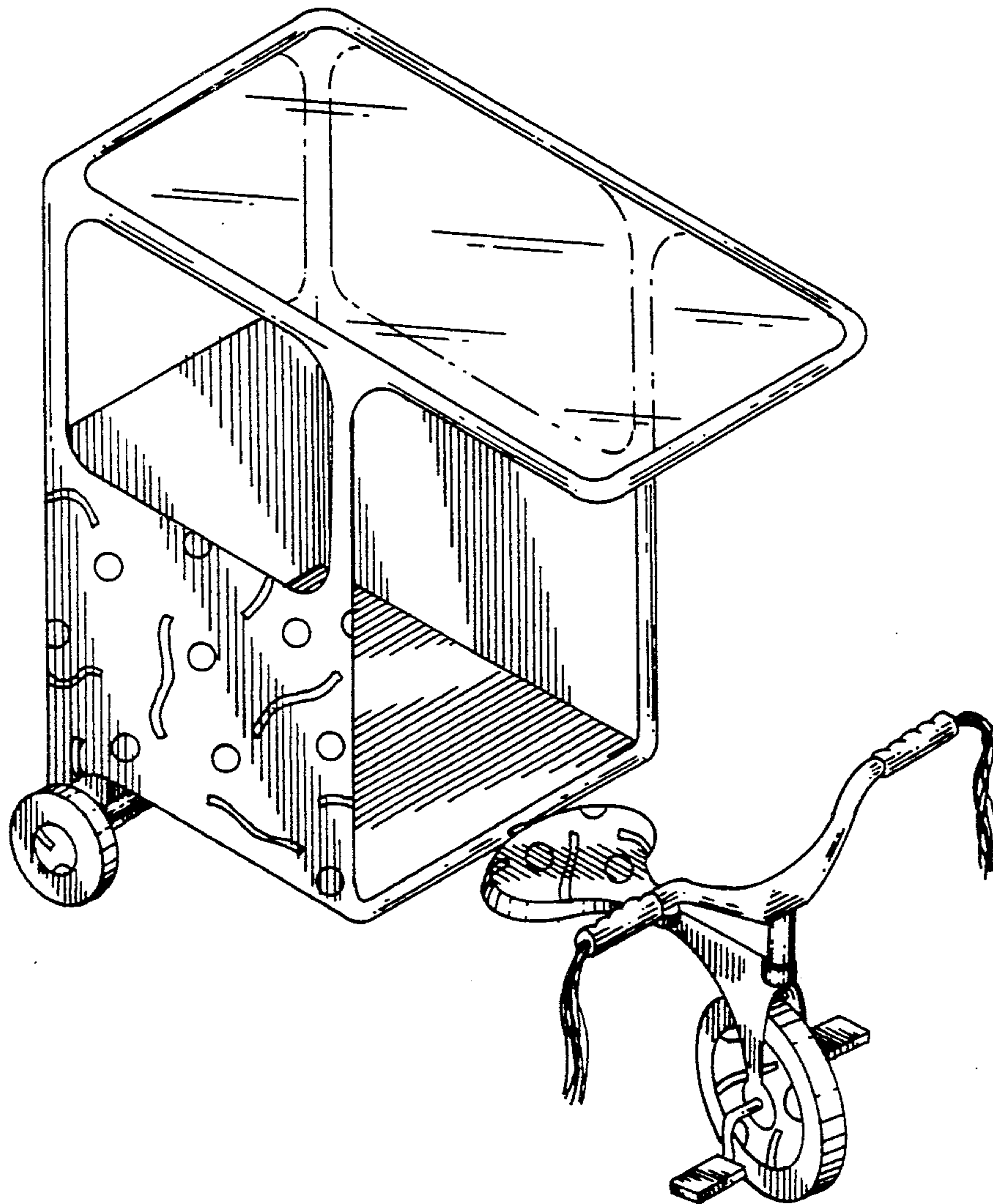
Primary Examiner—James M. Gandy
Assistant Examiner—Melody Brown
Attorney, Agent, or Firm—Terry M. Gernstein

[57] **CLAIM**

The ornamental design for a tricycle having a sunroof and carriage compartment, as shown and described.

DESCRIPTION

FIG. 1 is a front and side perspective view of the tricycle having a sunroof and carriage compartment embodying the design of the present invention; FIG. 2 is a front elevational view thereof; FIG. 3 is a rear elevational view thereof; FIG. 4 is a side elevational view thereof, the side opposite being a mirror image of the side shown in FIG. 4. FIG. 5 is a top plan view thereof; and, FIG. 6 is a bottom plan view thereof.



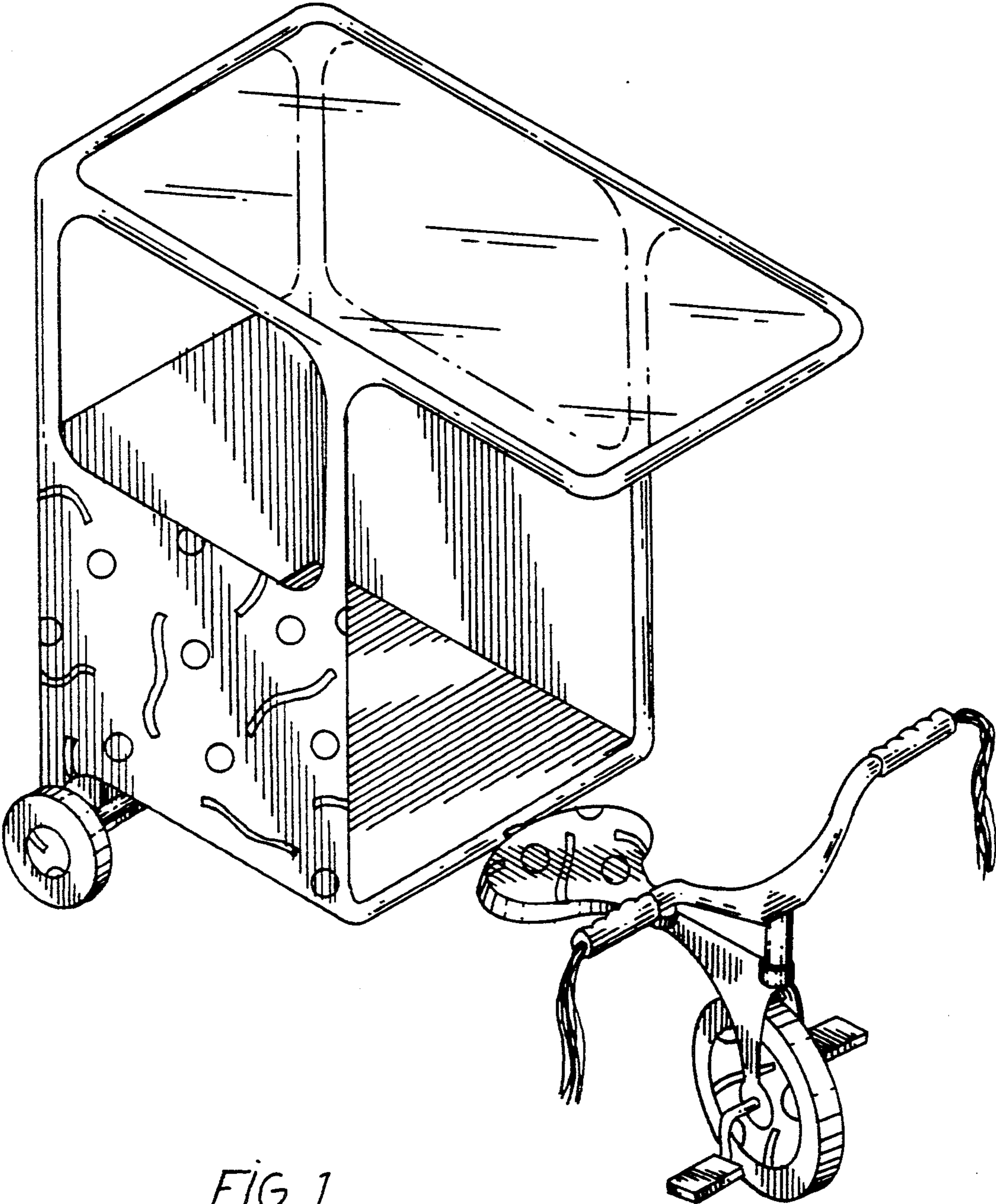


FIG. 1.

FIG. 3.

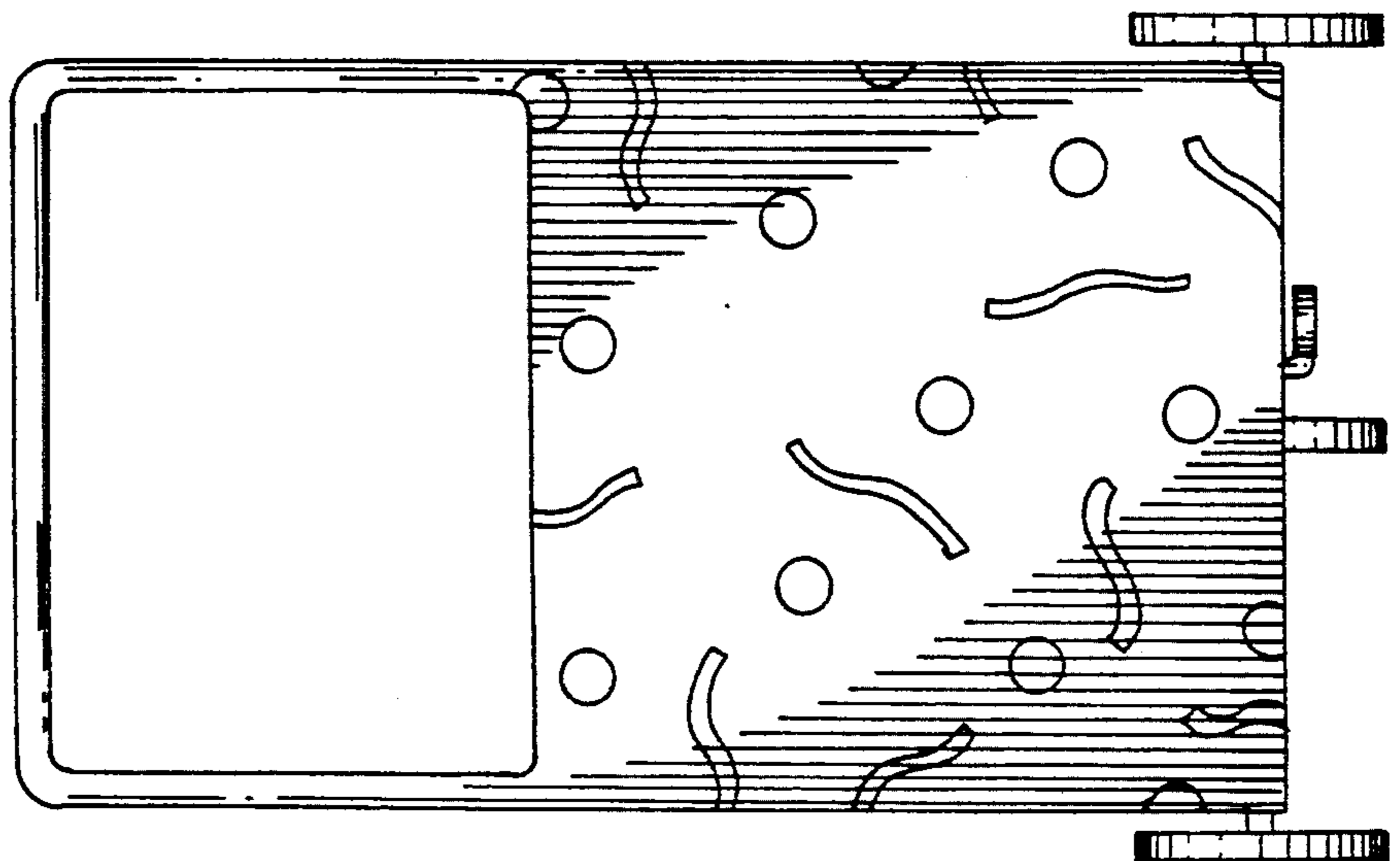


FIG. 2.

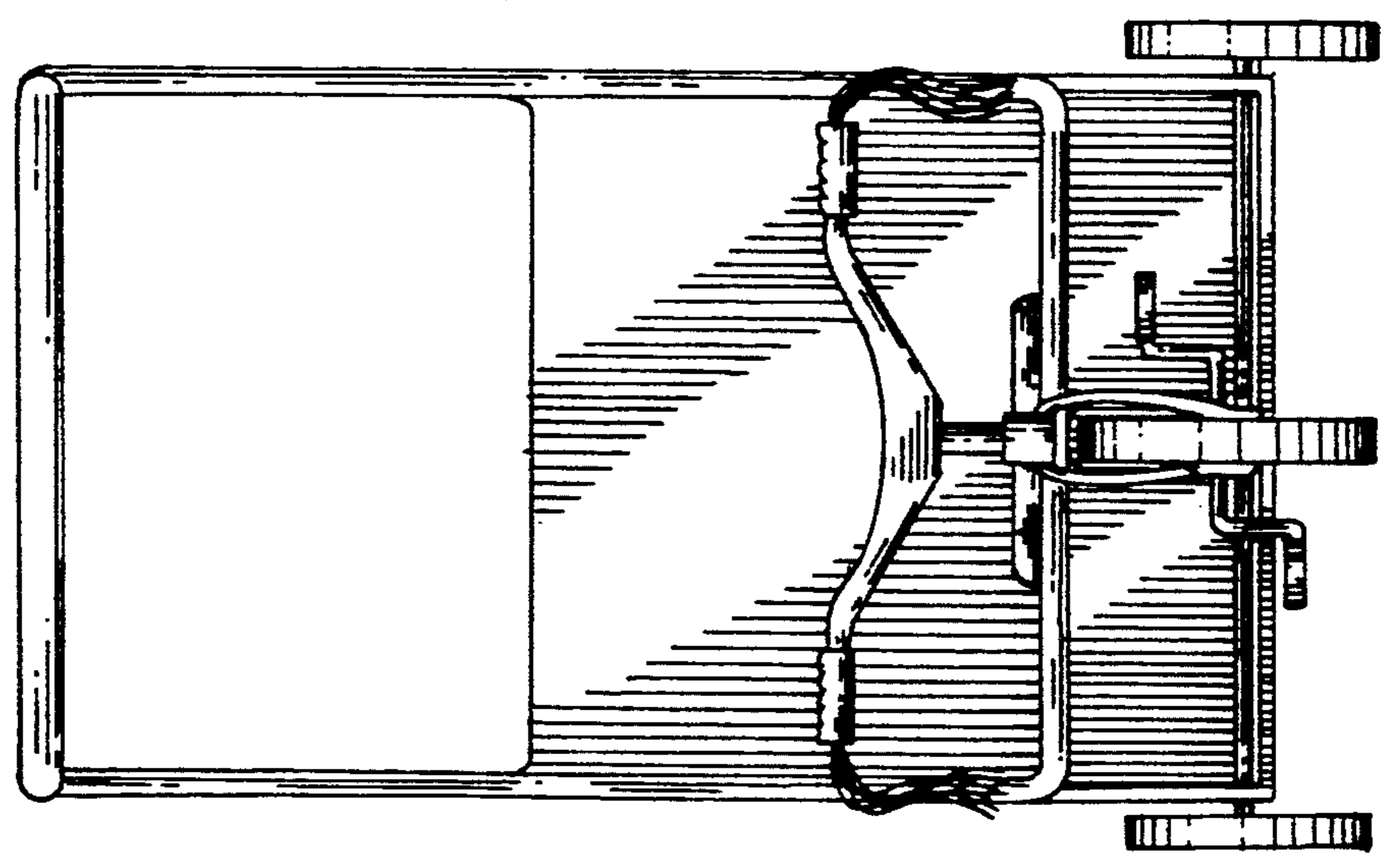


FIG. 4.

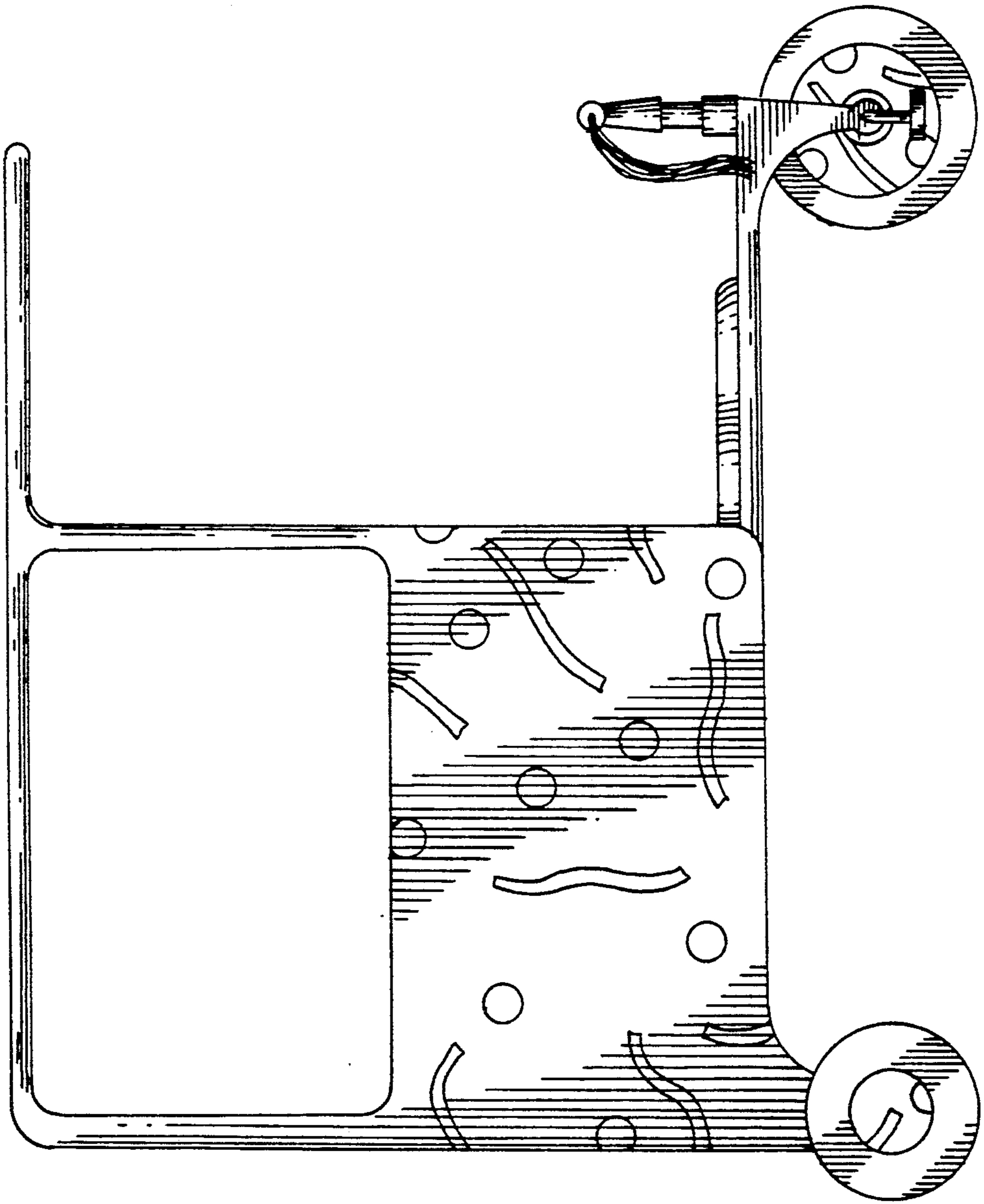


FIG. 6.

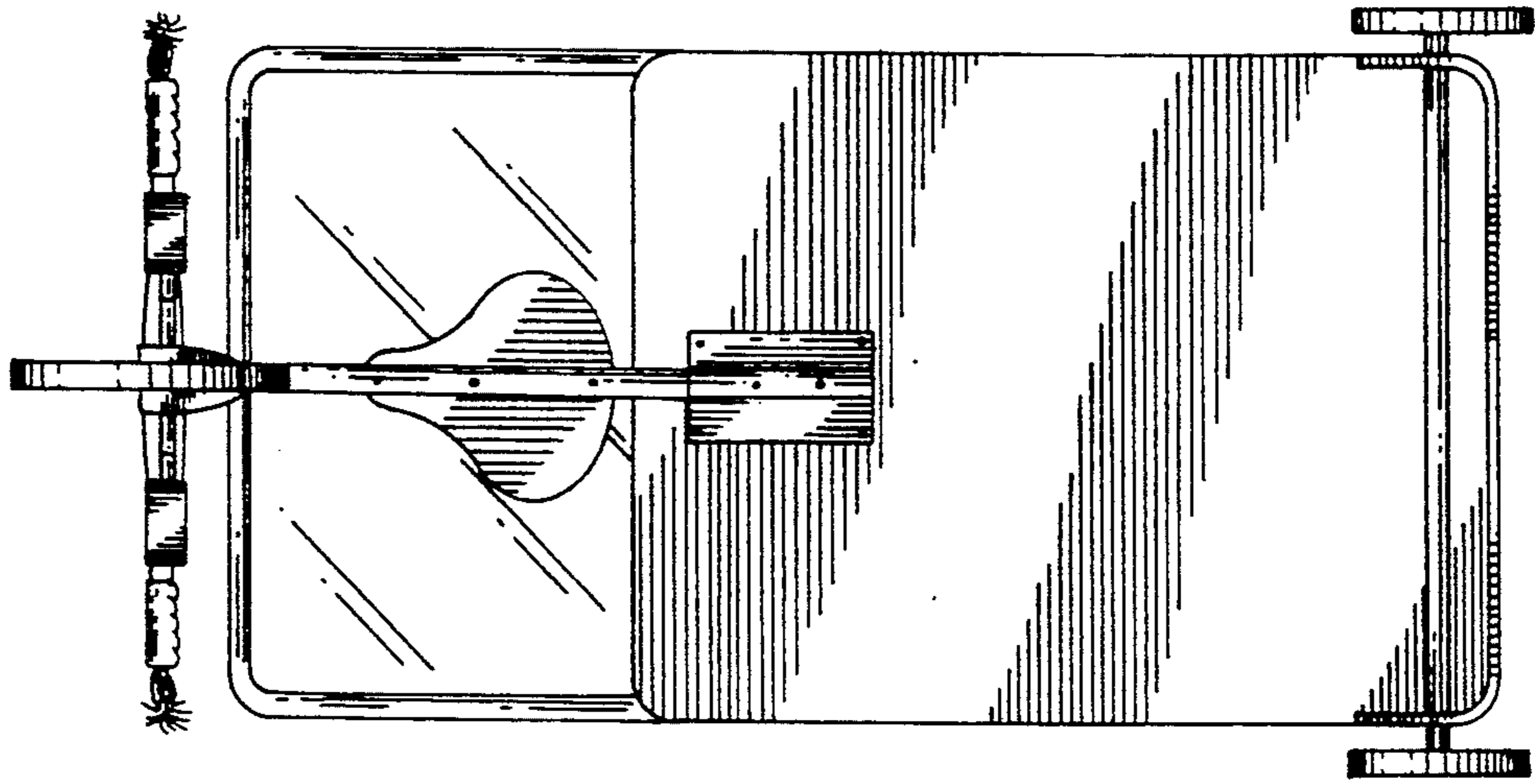


FIG. 5.

