



US00D327230S

United States Patent [19]

[11] Patent Number: **Des. 327,230**

Hedgewick

[45] Date of Patent: **** Jun. 23, 1992**

[54] SNOWPLOWABLE GUARD MEMBER FOR PAVEMENT MARKERS

[75] Inventor: Peter Hedgewick, Windsor, Canada

[73] Assignee: Pac-Tec, Inc., Newark, Ohio

[**] Term: 14 Years

[21] Appl. No.: 429,861

[22] Filed: Oct. 31, 1989

[52] U.S. Cl. D10/113

[58] Field of Search D10/111, 109, 113; 116/6 BR, 63 P; 404/6, 7, 8, 9, 10, 11, 12, 13, 14, 15, 16

4,402,627	9/1983	Schwab et al.	404/15
4,428,320	1/1904	Optl et al.	404/14
4,557,624	12/1985	Walker	404/14
4,577,992	3/1986	Jefferies	404/16
4,624,601	11/1936	Quittner	404/12
4,883,394	11/1989	Hegewick	404/14

FOREIGN PATENT DOCUMENTS

1036825	8/1983	U.S.S.R.	404/14
759309	10/1956	United Kingdom	404/12

Primary Examiner—Wallace R. Burke
Assistant Examiner—Marcus Jackson
Attorney, Agent, or Firm—Gifford, Groh, Sprinkle, Patmore and Anderson

[56] References Cited

U.S. PATENT DOCUMENTS

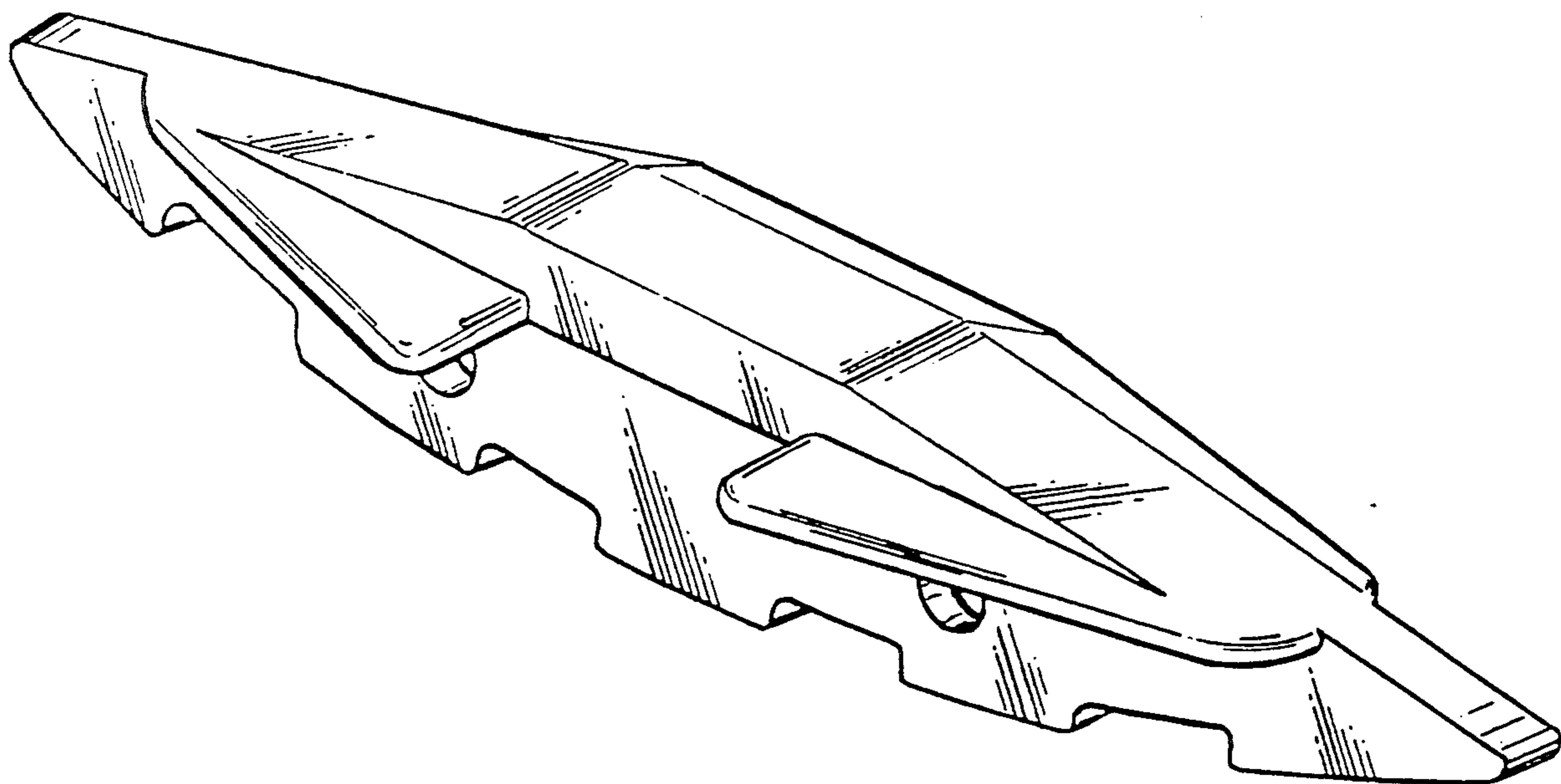
3,332,327	7/1967	Heenan	350/103
3,409,344	11/1968	Balint	350/103
3,485,148	12/1969	Heenan	404/12
3,587,416	6/1971	Flanagan	404/9
3,975,108	8/1976	Suhr et al.	404/16
3,980,410	9/1976	Suhr et al.	404/16
4,155,666	5/1979	Flanagan	404/16
4,195,945	4/1980	Heenan	404/16
4,208,090	6/1980	Heenan	404/14

[57] CLAIM

The ornamental design for a snowplowable guard member for pavement markers, as shown and described.

DESCRIPTION

FIG. 1 is a perspective view of a snowplowable guard member for pavement markers showing my new design; FIG. 2 is a right side elevational view thereof, with the opposite side being a mirror image; FIG. 3 is a front elevational view thereof; and, FIG. 4 is a rear elevational view thereof.



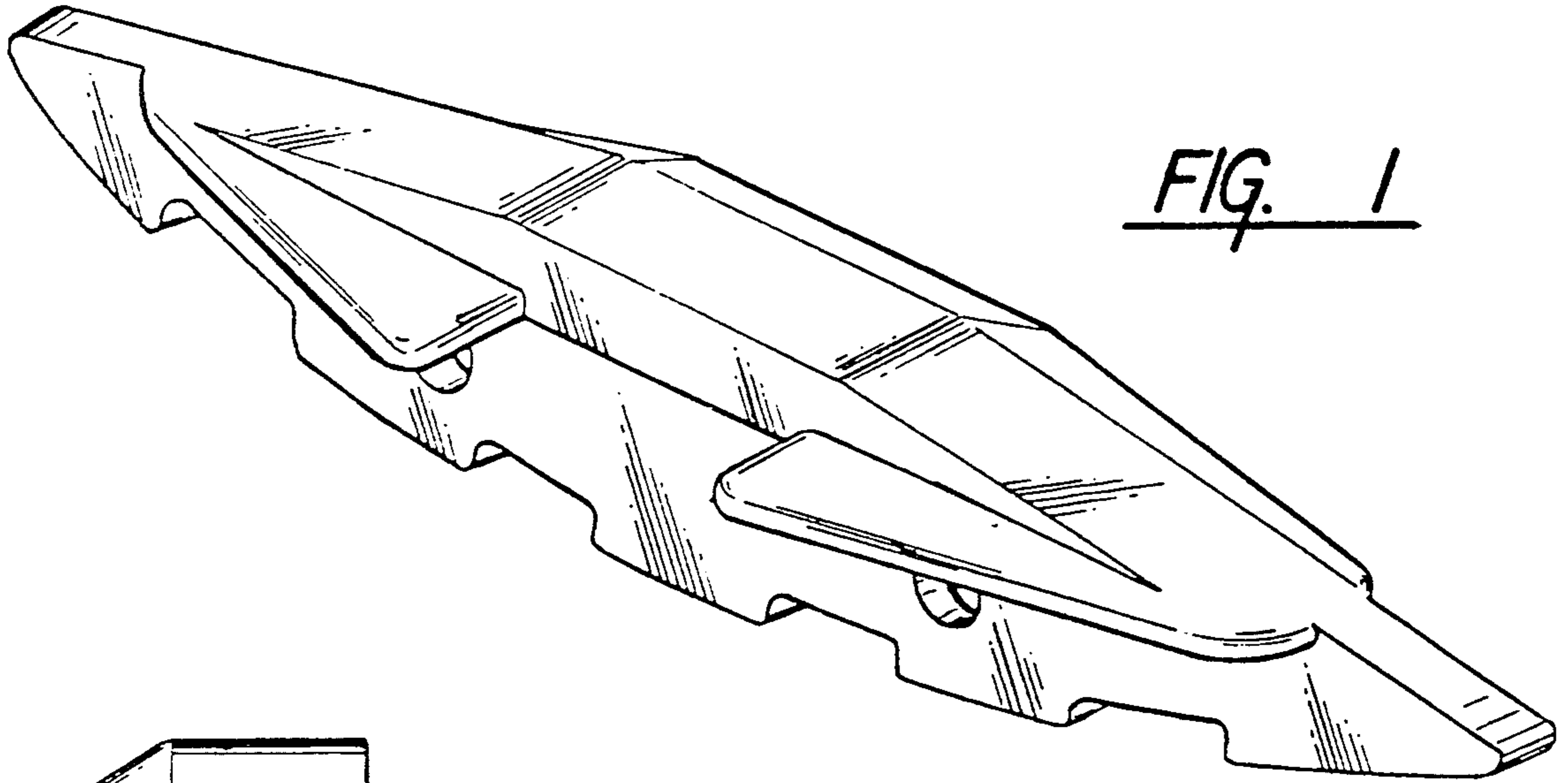


FIG. 1

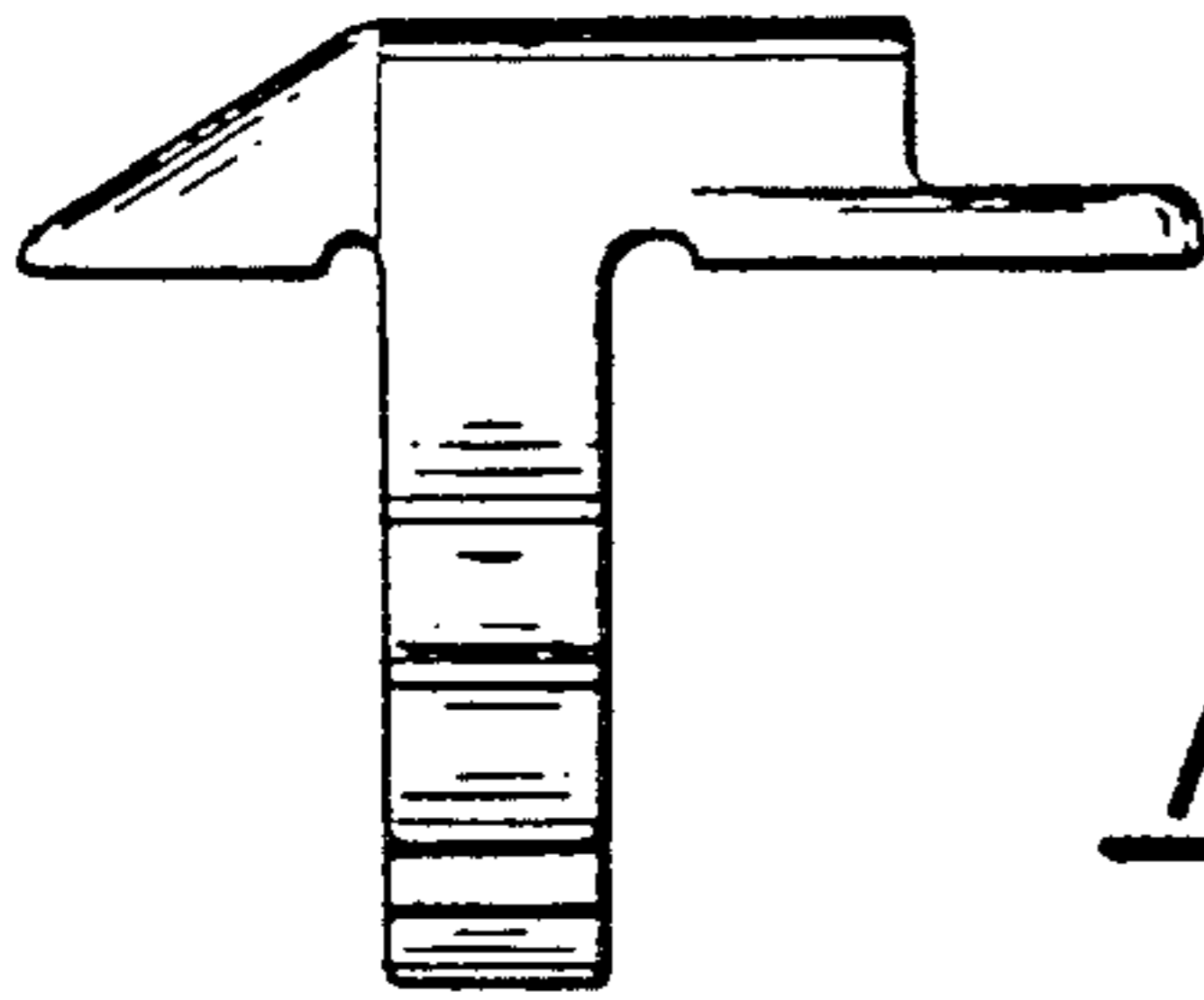


FIG. 2

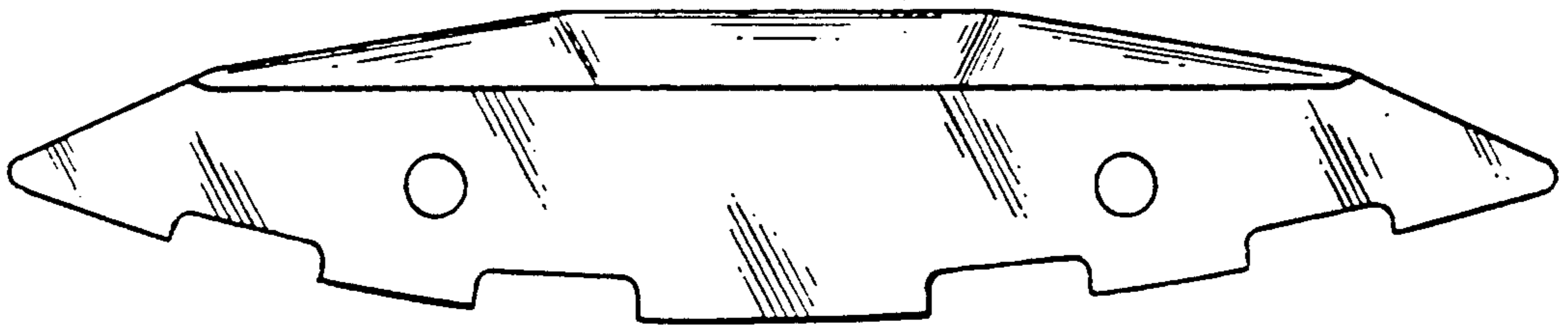


FIG. 3

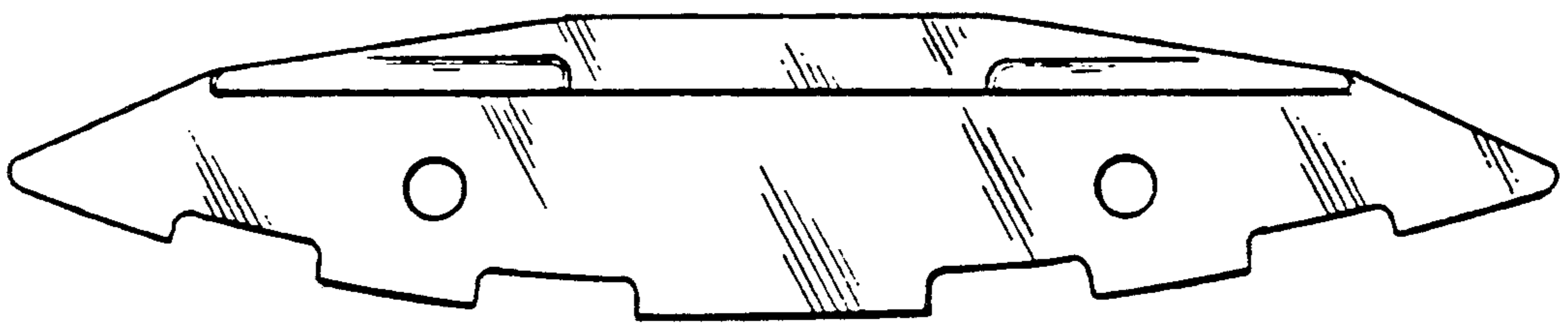


FIG. 4