



US00D327228S

# United States Patent [19]

[11] Patent Number: **Des. 327,228**

Fenne

[45] Date of Patent: **\*\* Jun. 23, 1992**

[54] COVER FOR A DUCT-TYPE SMOKE DETECTOR

### OTHER PUBLICATIONS

[75] Inventor: **Kenneth Fenne, Glen Ellyn, Ill.**

EXHIBIT A-Covers Sold by Pittway Corporation.  
EXHIBIT B-Covers Sold by Pittway Corporation.  
EXHIBIT C-Air Duct Detector, Showing Cover, Sold by a Third Party.

[73] Assignee: **Pittway Corporation, Northbrook, Ill.**

*Primary Examiner*—Wallace R. Burke  
*Assistant Examiner*—Marcus Jackson  
*Attorney, Agent, or Firm*—Dressler, Goldsmith, Shore, Sutker, & Milnamow, Ltd.

[\*\*] Term: **14 Years**

[21] Appl. No.: **530,247**

### [57] CLAIM

[22] Filed: **May 30, 1990**

The ornamental design for a cover for a duct-type smoke, as shown and described.

[52] U.S. Cl. .... **D10/104**

### DESCRIPTION

[58] Field of Search ..... D10/104, 105, 106, 121; 340/571, 572, 693, 586, 584, 593, 629, 579, 628

FIG. 1 is a front perspective view of a cover for a duct-type smoke detector showing my new design, with the broken line showing for illustrative purposes only and forming no part of the claimed design;

### [56] References Cited

#### U.S. PATENT DOCUMENTS

D. 248,152	6/1978	Hastings	.....	D10/120
D. 253,169	10/1979	Conforti	.....	D10/106
D. 258,353	2/1981	Mango et al.	.....	D10/106
D. 261,243	10/1981	Mintz et al.	.....	D10/121
D. 274,707	7/1984	French	.....	D10/104

FIG. 2 is a top plan view thereof;

FIG. 3 is a front elevational view thereof, with the rear being unornamented;

FIG. 4 is a bottom plan view thereof;

FIG. 5 is a left side elevational view thereof; and,

FIG. 6 is a right side elevational view thereof.

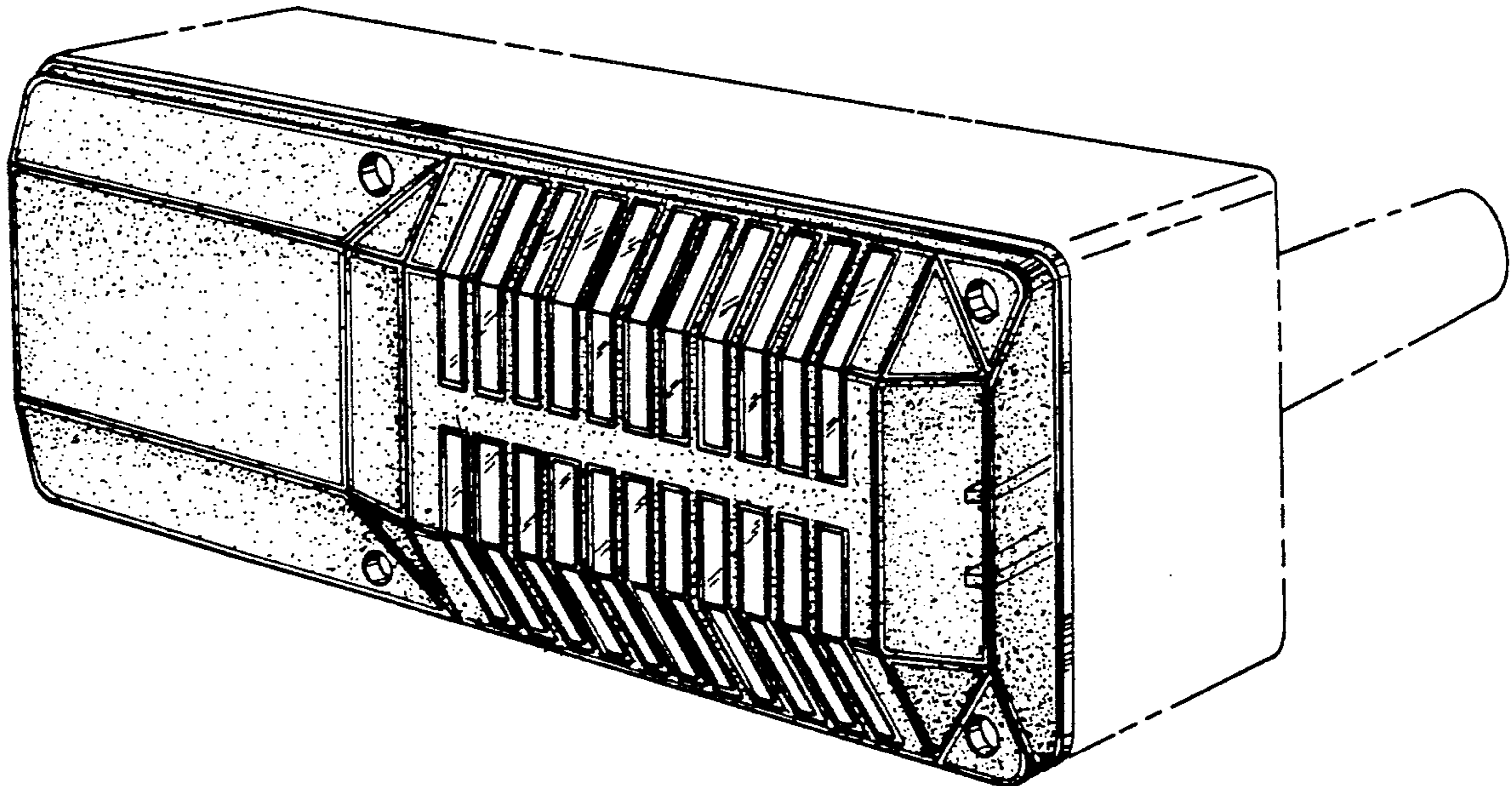


FIG. 1

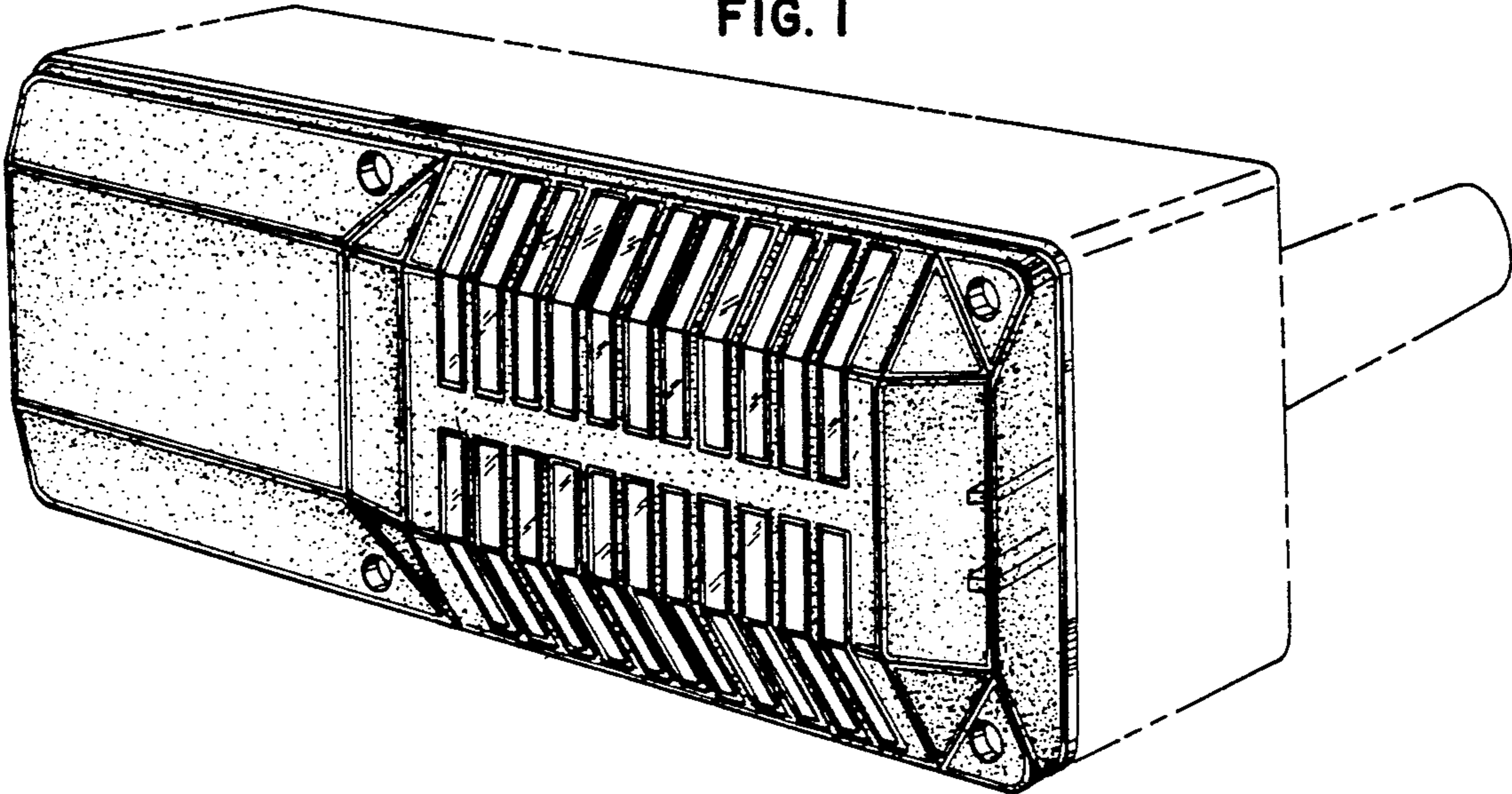


FIG. 2



FIG. 3

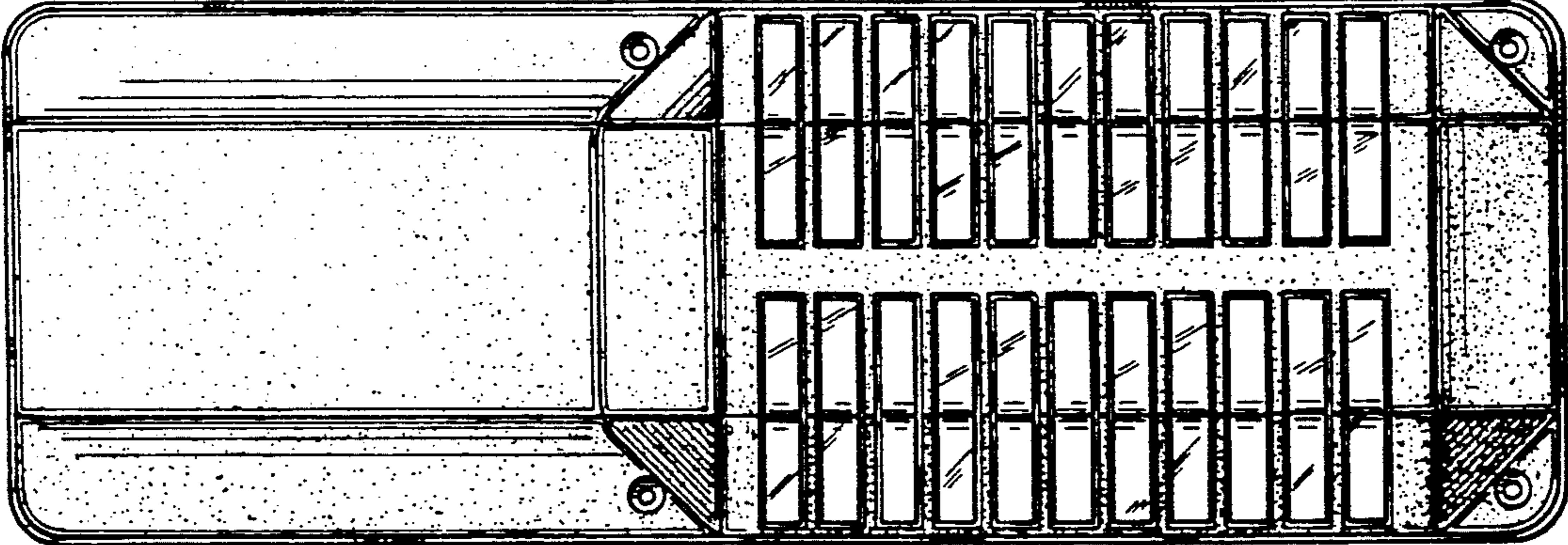


FIG. 4



FIG. 5

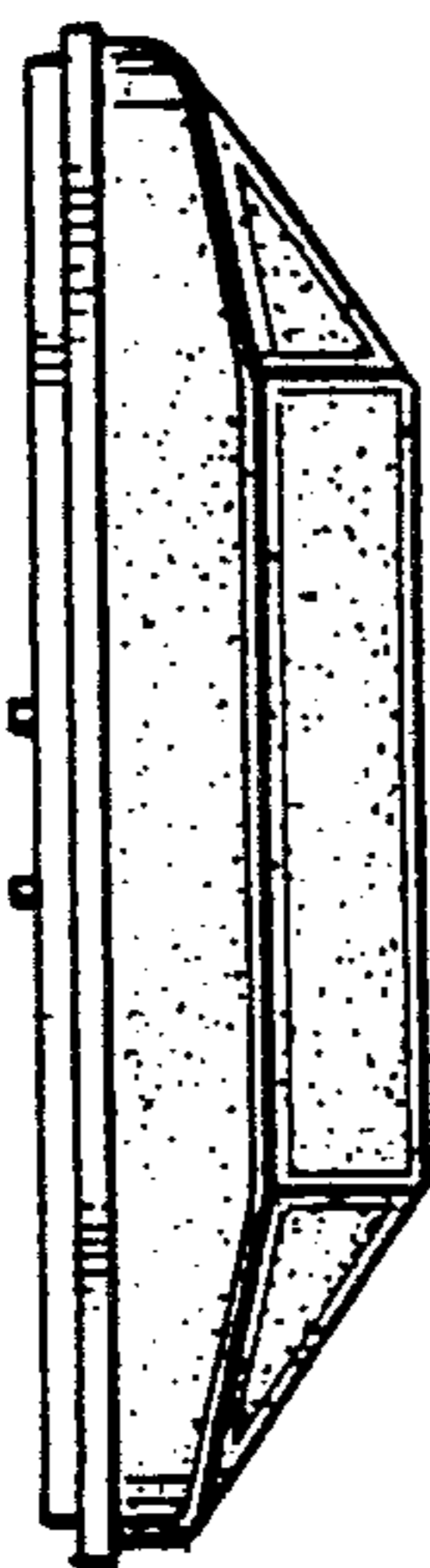
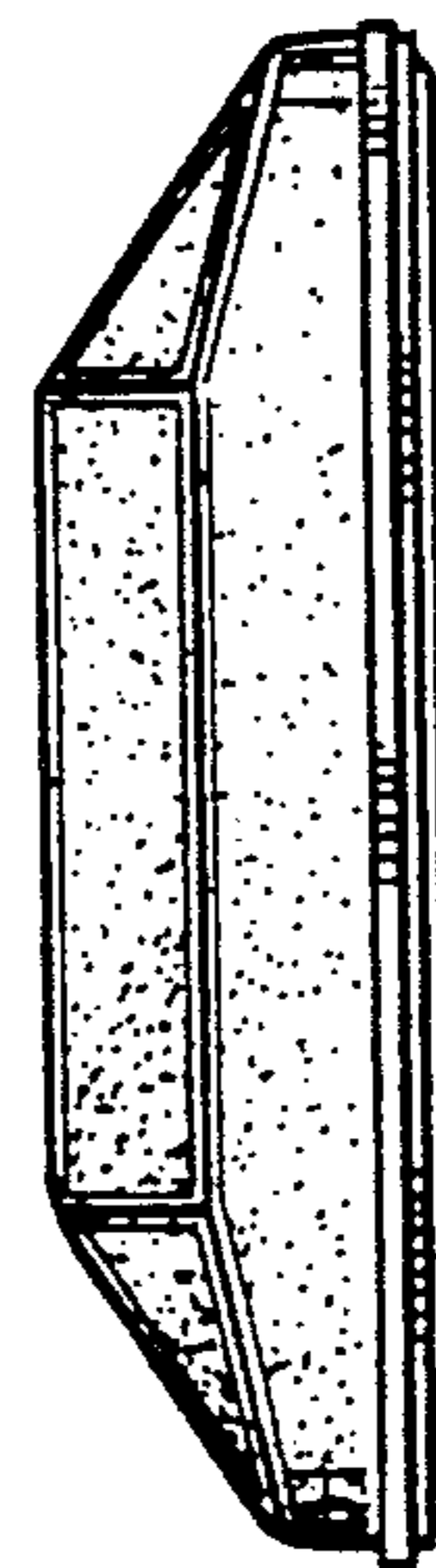


FIG. 6



UNITED STATES PATENT AND TRADEMARK OFFICE  
**CERTIFICATE OF CORRECTION**

PATENT NO. Des. 327,228

DATED June 23, 1992

INVENTOR(S) K. Fenne

It is certified that error appears in the above-identified patent and that said Letters Patent is hereby corrected as shown below:

On the title page: Item [57]:

In the claim, line 2, after "smoke" insert --detector--,

In the description, "cover for a duct-type smoke detector" should be --Cover for a Duct-Type Smoke Detector--.

Signed and Sealed this

Twenty-first Day of September, 1993



Attest:

BRUCE LEHMAN

Attesting Officer

Commissioner of Patents and Trademarks