



US00D327222S

# United States Patent [19]

[11] Patent Number: Des. 327,222

Fuchs

[45] Date of Patent: \*\* Jun. 23, 1992

[54] **SPRAYER HOOD**  
 [75] Inventor: **Paul D. Fuchs**, Cincinnati, Ohio  
 [73] Assignee: **The Procter & Gamble Company**,  
 Cincinnati, Ohio  
 [\*\*] Term: **14 Years**  
 [21] Appl. No.: **479,980**  
 [22] Filed: **Feb. 14, 1990**  
 [52] U.S. Cl. .... **D9/435; D9/448**  
 [58] Field of Search ..... **D9/300, 435, 448;**  
**222/207, 210, 383**

D. 287,227 12/1986 Turnbull ..... D9/36  
 D. 293,709 1/1988 Tada ..... D23/226  
 4,222,501 9/1980 Hammett et al. .... 222/207  
 4,361,256 11/1982 Corsette ..... 222/383  
 4,898,307 2/1990 Tiramani ..... 222/207  
 4,925,066 5/1990 Rosenbaum ..... D9/300 X

### OTHER PUBLICATIONS

Calmar Inc. Brochure; May 1986; Spray Head (left).  
 Aerosol Age; May 1982; Spray Head (right bottom).

*Primary Examiner*—Bernard Ansher  
*Assistant Examiner*—Dominic Simone  
*Attorney, Agent, or Firm*—Richard C. Witte; Thomas H.  
 O’Flaherty; Eileen L. Hughett

[56] **References Cited**  
**U.S. PATENT DOCUMENTS**

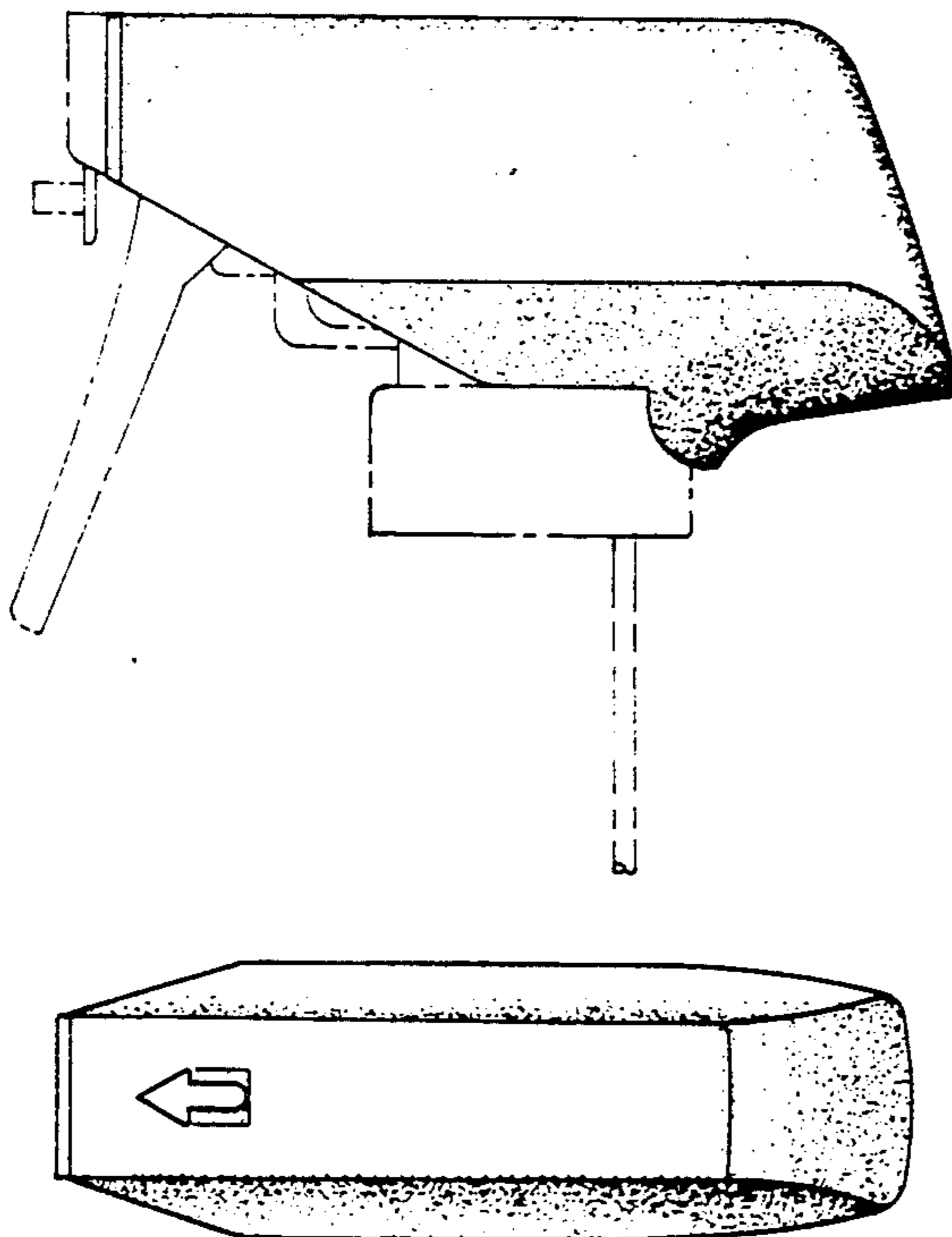
D. 238,655 2/1976 McKinney et al. .... D9/63  
 D. 239,599 4/1976 Carroll et al. .... D9/253  
 D. 243,180 1/1977 Federico et al. .... D23/17  
 D. 244,531 5/1977 Klingaman ..... D23/18  
 D. 247,302 2/1978 Federico et al. .... D23/18  
 D. 247,366 2/1978 Jones et al. .... D23/17  
 D. 256,271 8/1980 Tada ..... D23/17  
 D. 256,946 9/1980 Campbell et al. .... D23/17  
 D. 267,930 2/1983 Corba ..... D9/448  
 D. 275,078 8/1984 Wassergord et al. .... D9/300  
 D. 275,456 9/1984 Martin ..... D9/448  
 D. 275,935 10/1984 Corba ..... D9/448  
 D. 277,978 3/1985 Bundschuh ..... D23/17

### [57] CLAIM

The ornamental design for a sprayer hood, as shown and described.

### DESCRIPTION

FIG. 1 is a front elevational view of a sprayer hood showing my new design, the rear being a mirror image, the mechanism shown in broken lines for illustrative purposes only;  
 FIG. 2 is a right side elevational view thereof;  
 FIG. 3 is a left side elevational view thereof;  
 FIG. 4 is a top plan view thereof; and,  
 FIG. 5 is a bottom plan view thereof.



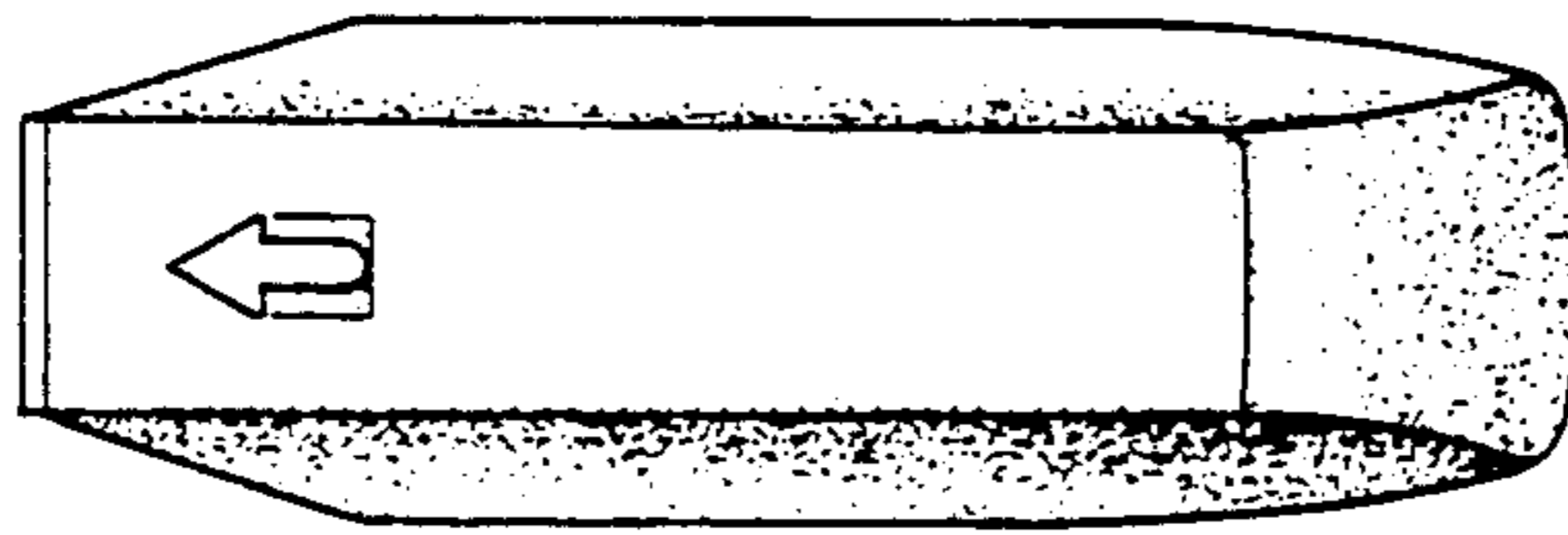


Fig. 4

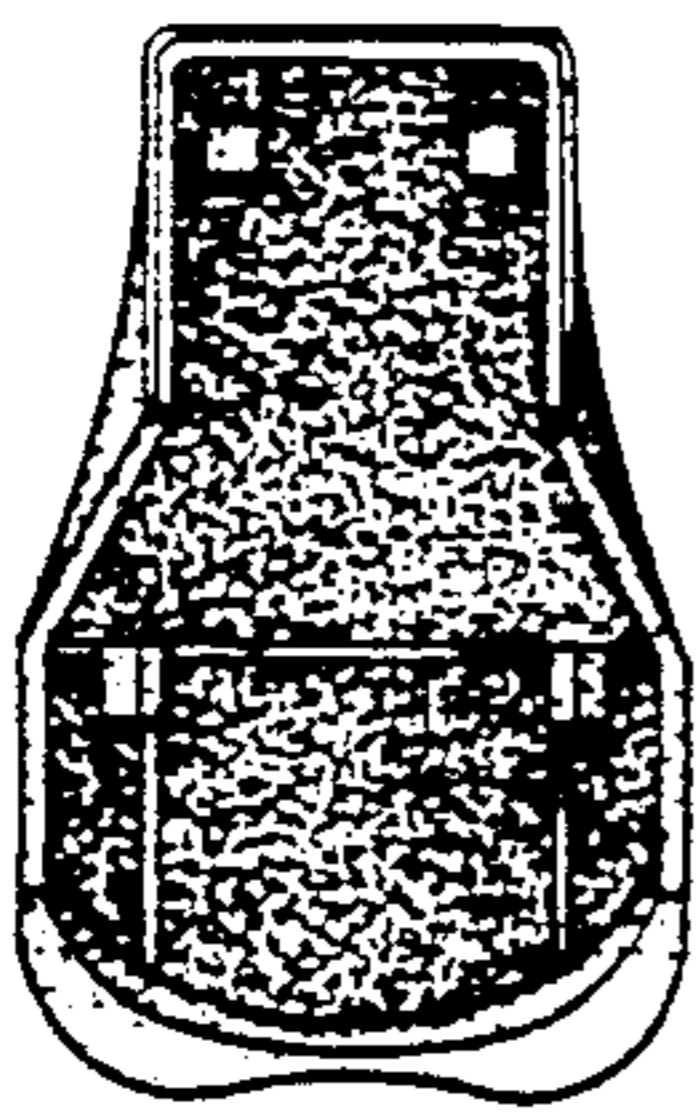


Fig. 3

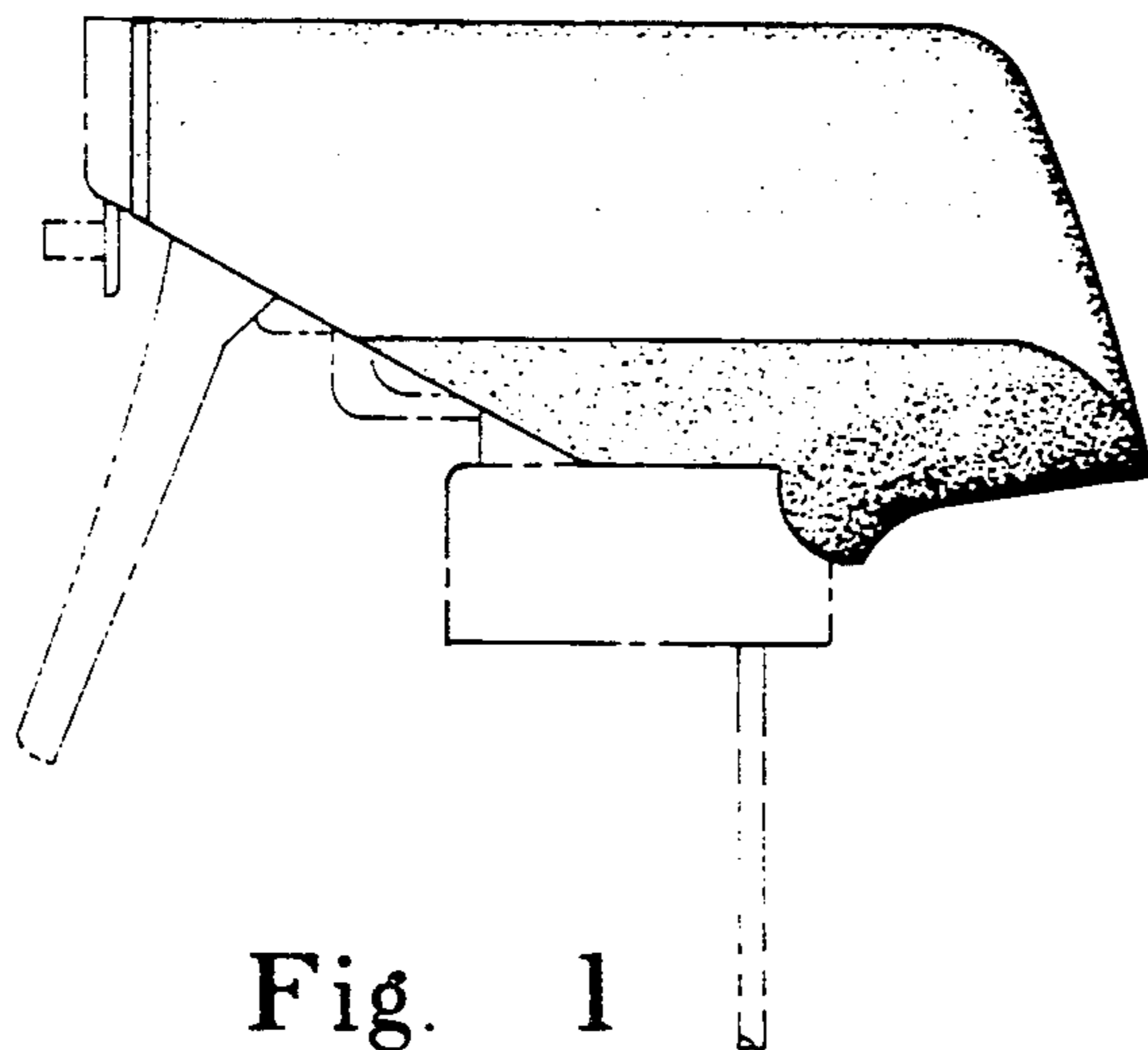


Fig. 1

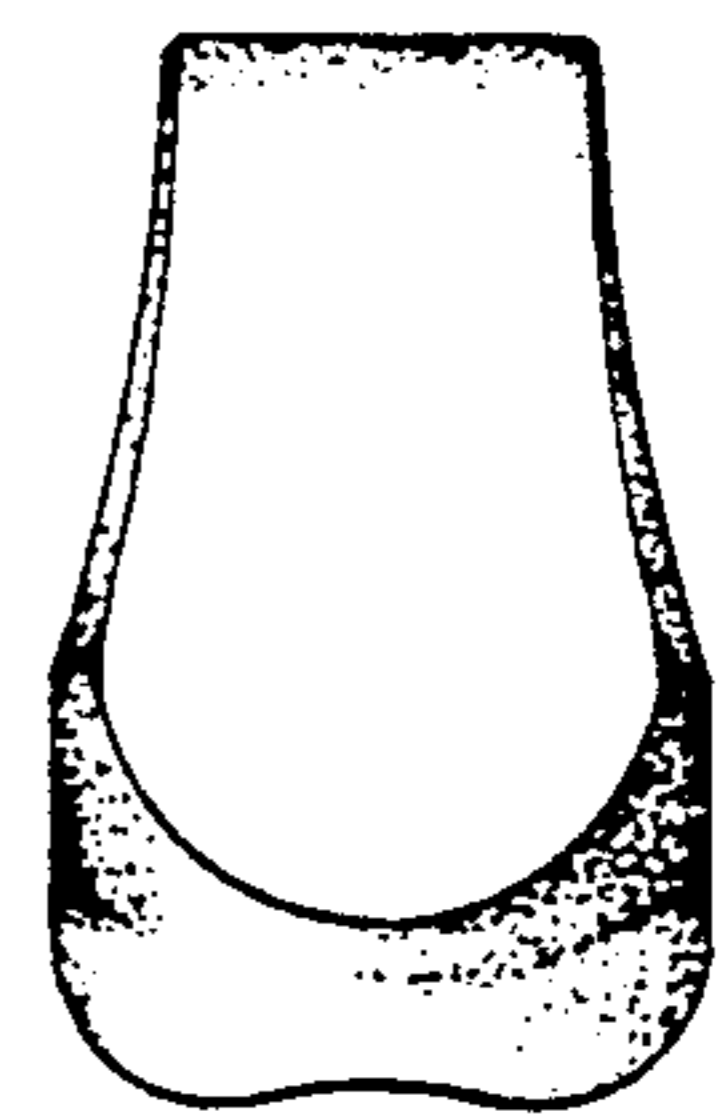


Fig. 2

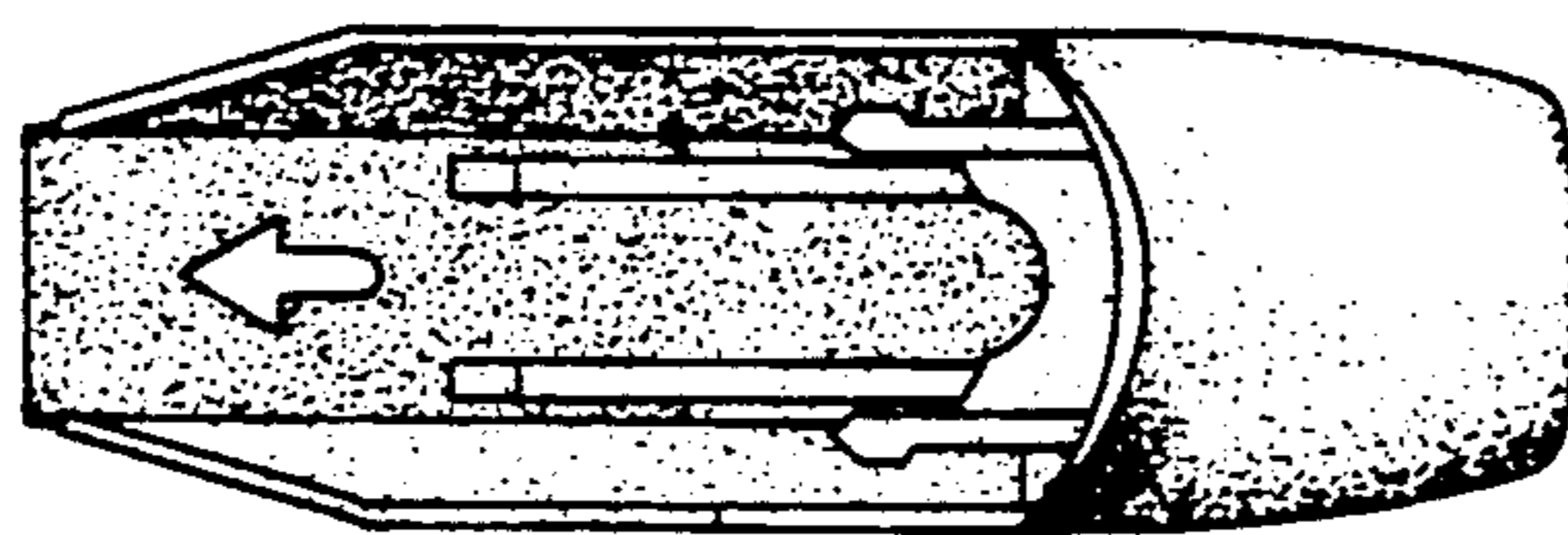


Fig. 5