



US00D327220S

United States Patent [19]

[11] Patent Number: **Des. 327,220**

Proffitt et al.

[45] Date of Patent: **** Jun. 23, 1992**

[54] **FOOD CONTAINER**

4,401,229	8/1983	Bell et al.	220/259
4,787,527	11/1988	Monetti	229/205 R X
5,012,928	5/1991	Proffitt et al.	206/508

[75] Inventors: **James R. Proffitt, Dublin; Dale S. Richardson, Westerville, both of Ohio**

Primary Examiner—Bernard Ansher
Assistant Examiner—Prabhakar Deshmukh
Attorney, Agent, or Firm—Sidney W. Millard

[73] Assignee: **Borden, Inc., Columbus, Ohio**

[**] Term: **14 Years**

[57] **CLAIM**

[21] Appl. No.: **495,932**

The ornamental design of a food container, as shown and described.

[22] Filed: **Mar. 19, 1990**

Related U.S. Application Data

[63] Continuation-in-part of Ser. No. 348,192, May 5, 1989, abandoned.

[52] U.S. Cl. **D9/423; D9/425**

[58] Field of Search **D9/423, 420, 424, 425, D9/432; D34/40-46; 206/503, 508, 509, 511, 518, 519; 220/306, 324, 326, 337, 339, 359**

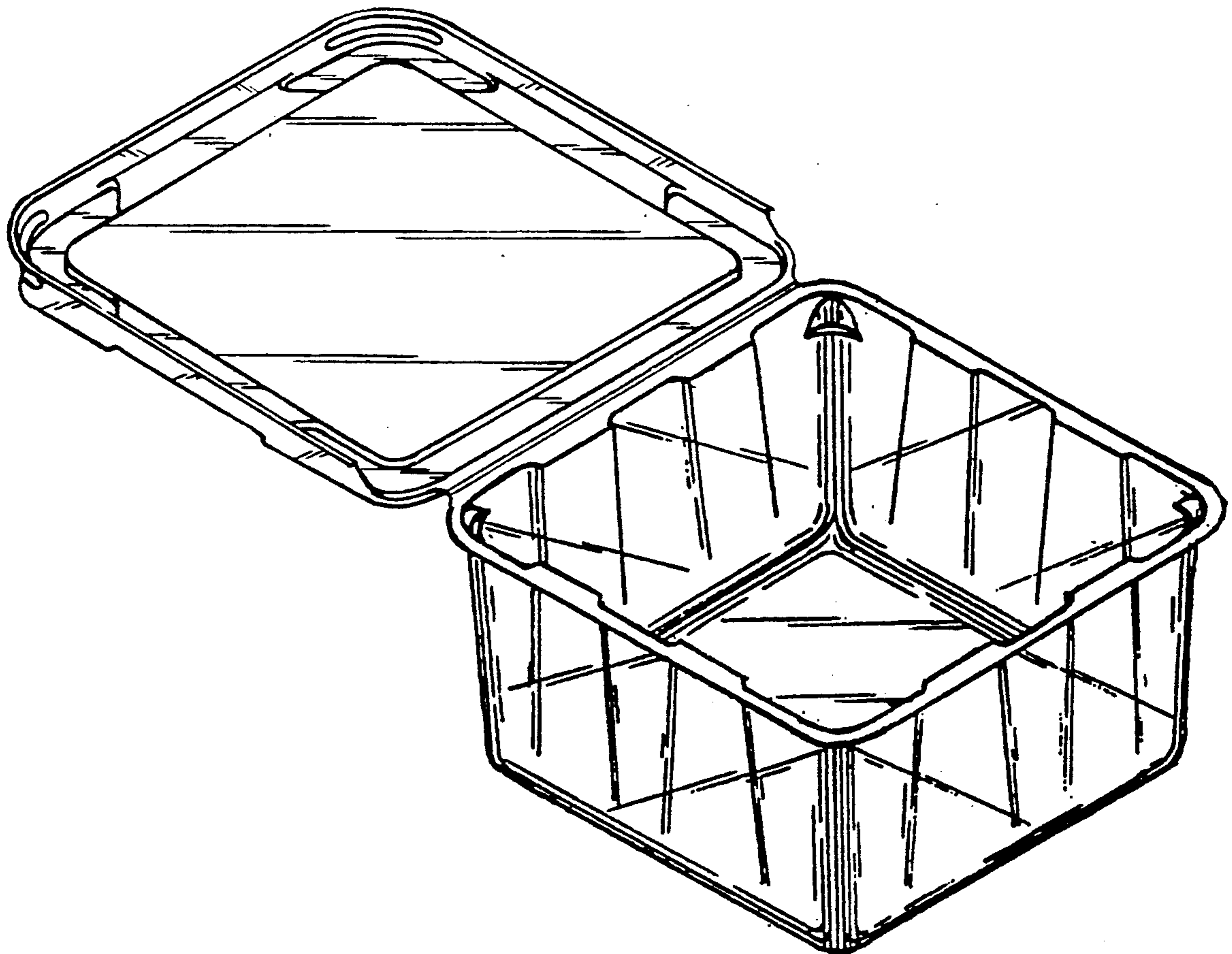
[56] **References Cited**

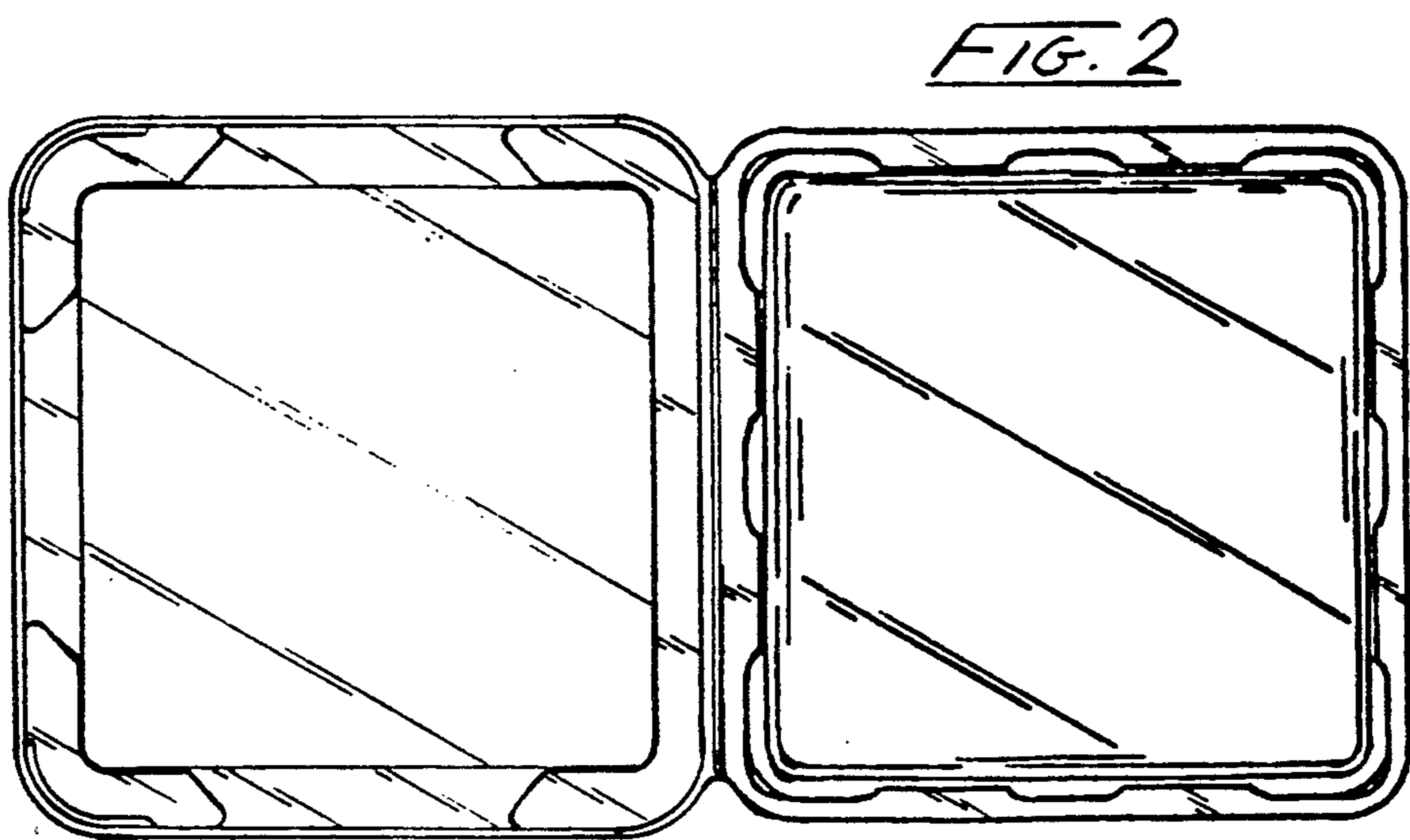
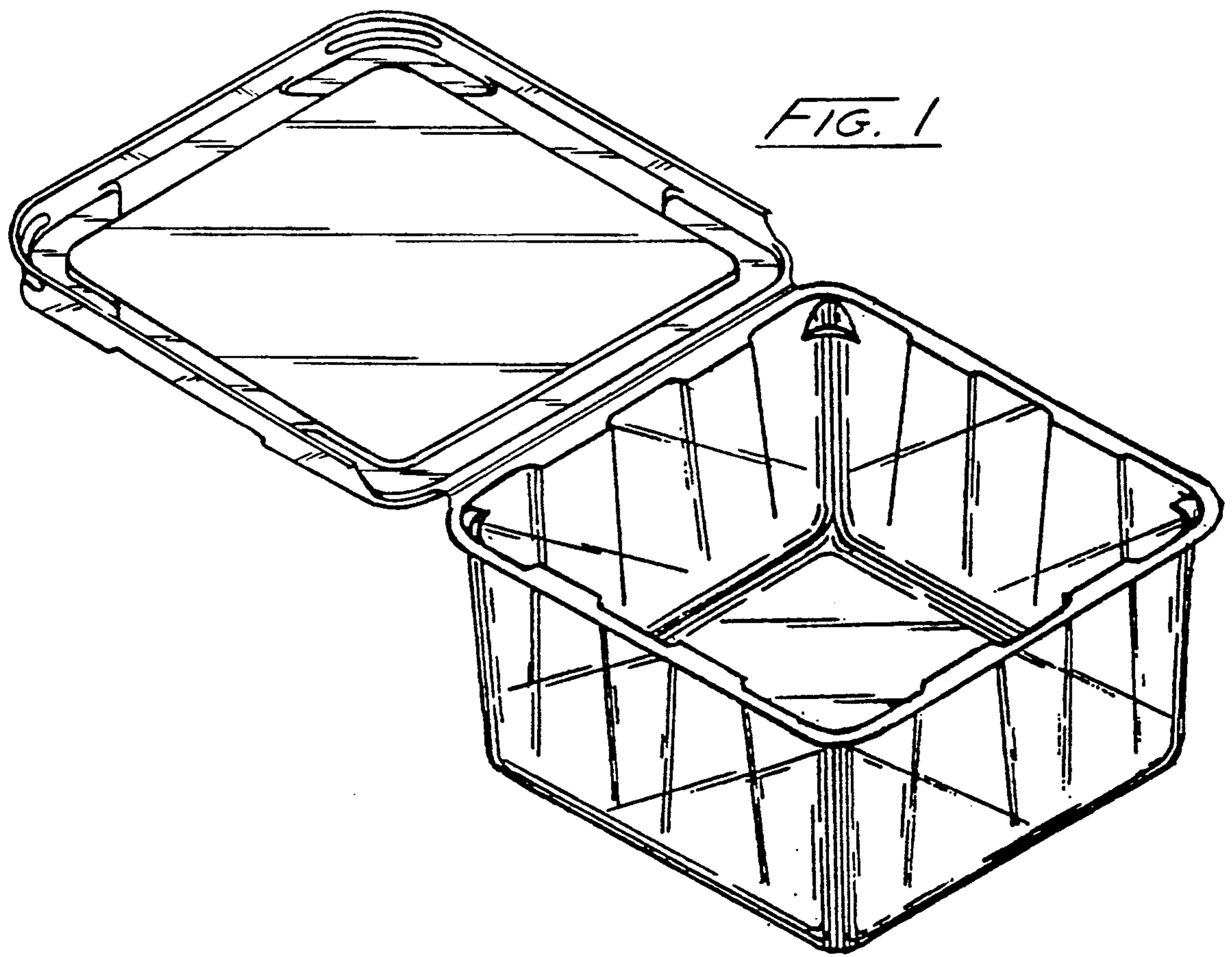
U.S. PATENT DOCUMENTS

D. 231,433	4/1974	Congleton	D9/423
D. 285,413	9/1986	Carlson	D9/425 X
D. 287,467	12/1986	Mallon	D9/423 X
3,082,903	3/1963	Stevens et al.	220/339
3,384,263	5/1968	Bernstein	220/306
3,710,775	1/1973	Jansen	220/339

DESCRIPTION

FIG. 1 is a perspective view of a food container showing our new design;
 FIG. 2 is a top plan view thereof;
 FIG. 3 is a left side elevation thereof; the right side elevation being mirror image thereof;
 FIG. 4 is a bottom plan view thereof;
 FIG. 5 is a front elevation thereof;
 FIG. 6 is a rear elevation thereof;
 FIG. 7 is a perspective view of a second embodiment of FIG. 1;
 FIG. 8 is a top plan view of FIG. 7;
 FIG. 9 is a left side elevation of FIG. 7; the right side elevation being a mirror image thereof;
 FIG. 10 is a bottom plan view of FIG. 7;
 FIG. 11 is a front elevation of FIG. 7; and,
 FIG. 12 is a rear elevation of FIG. 7.





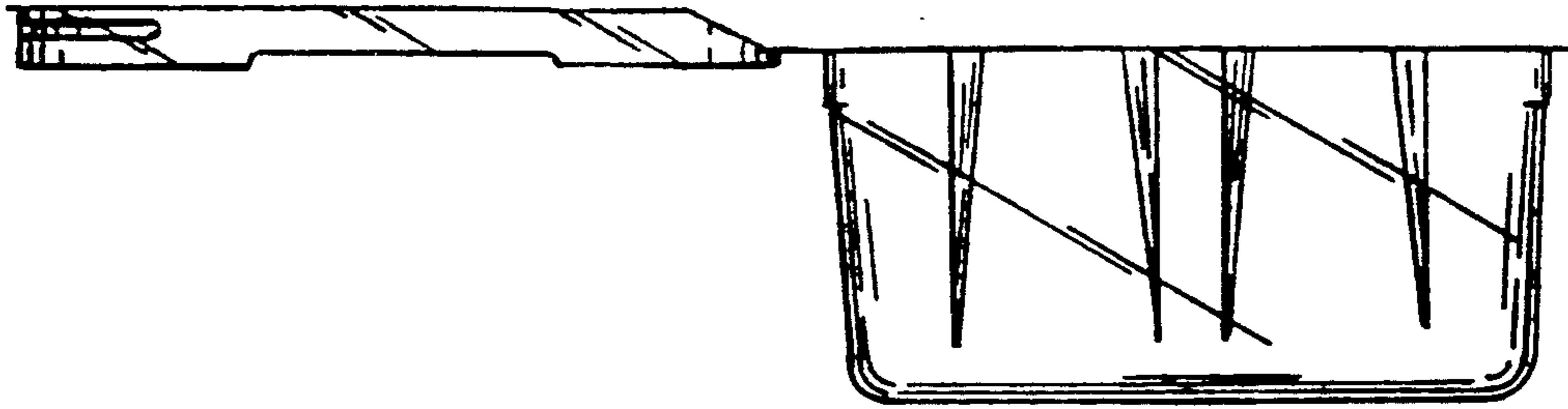


FIG. 3

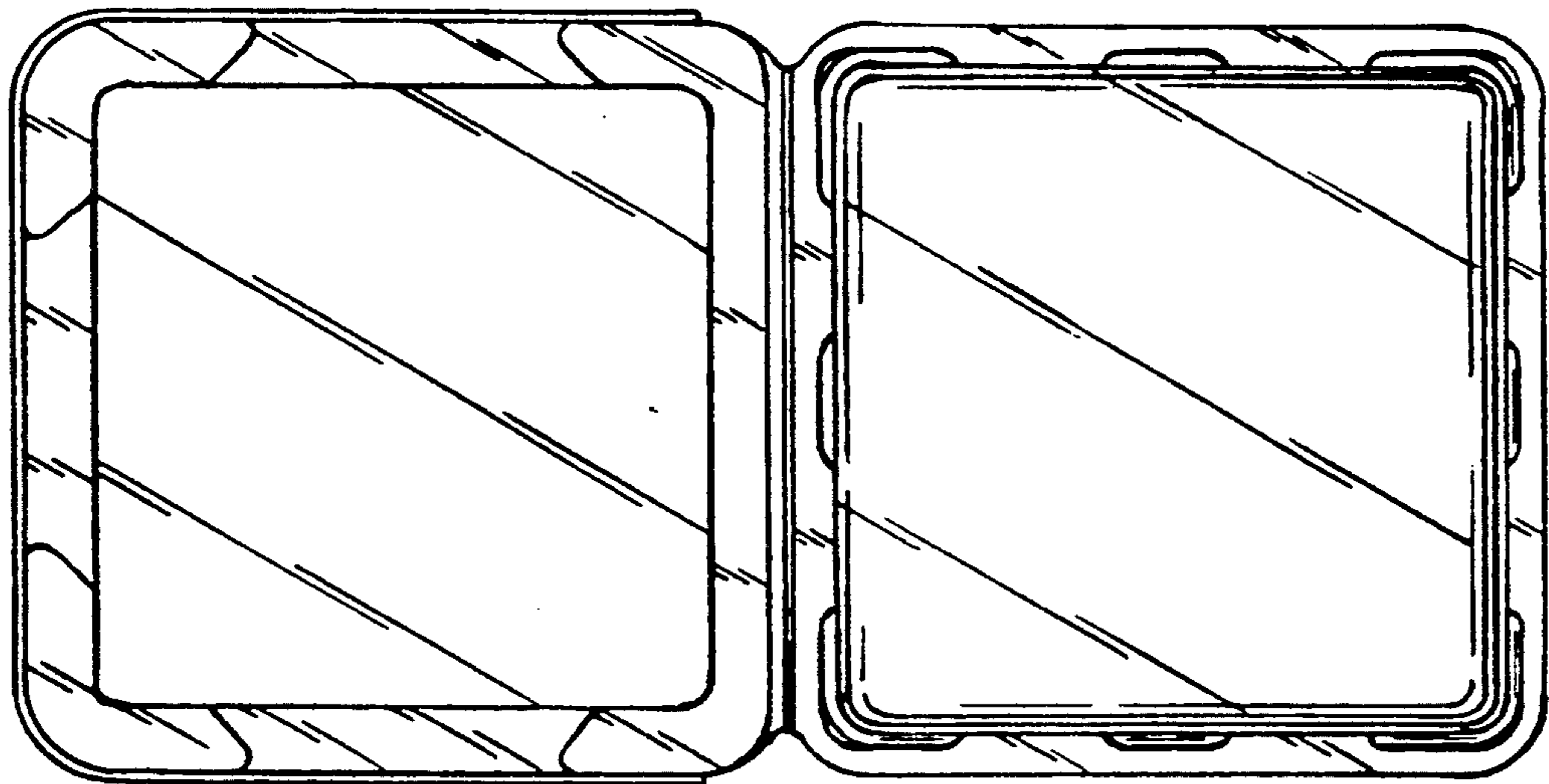


FIG. 4

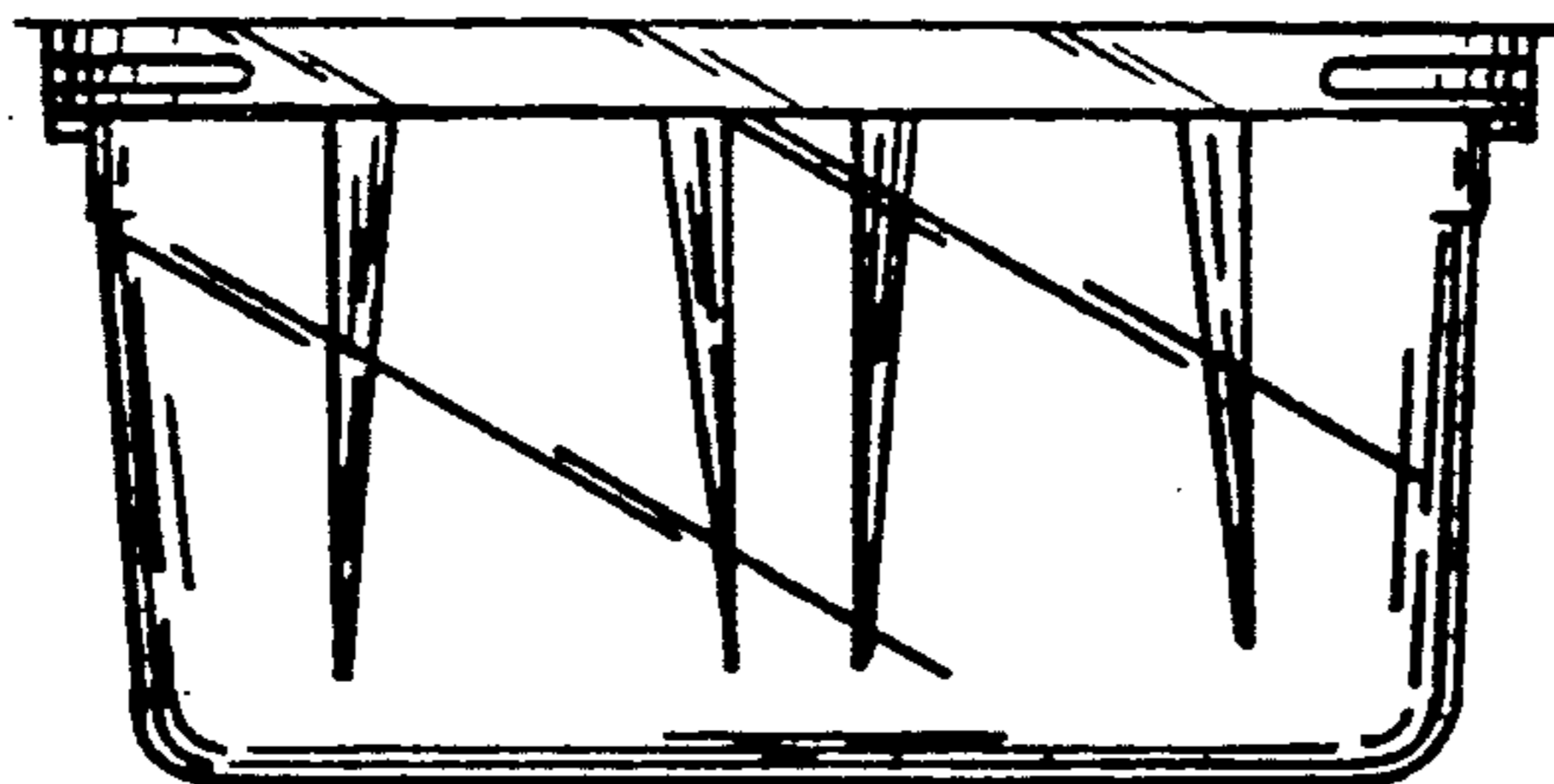
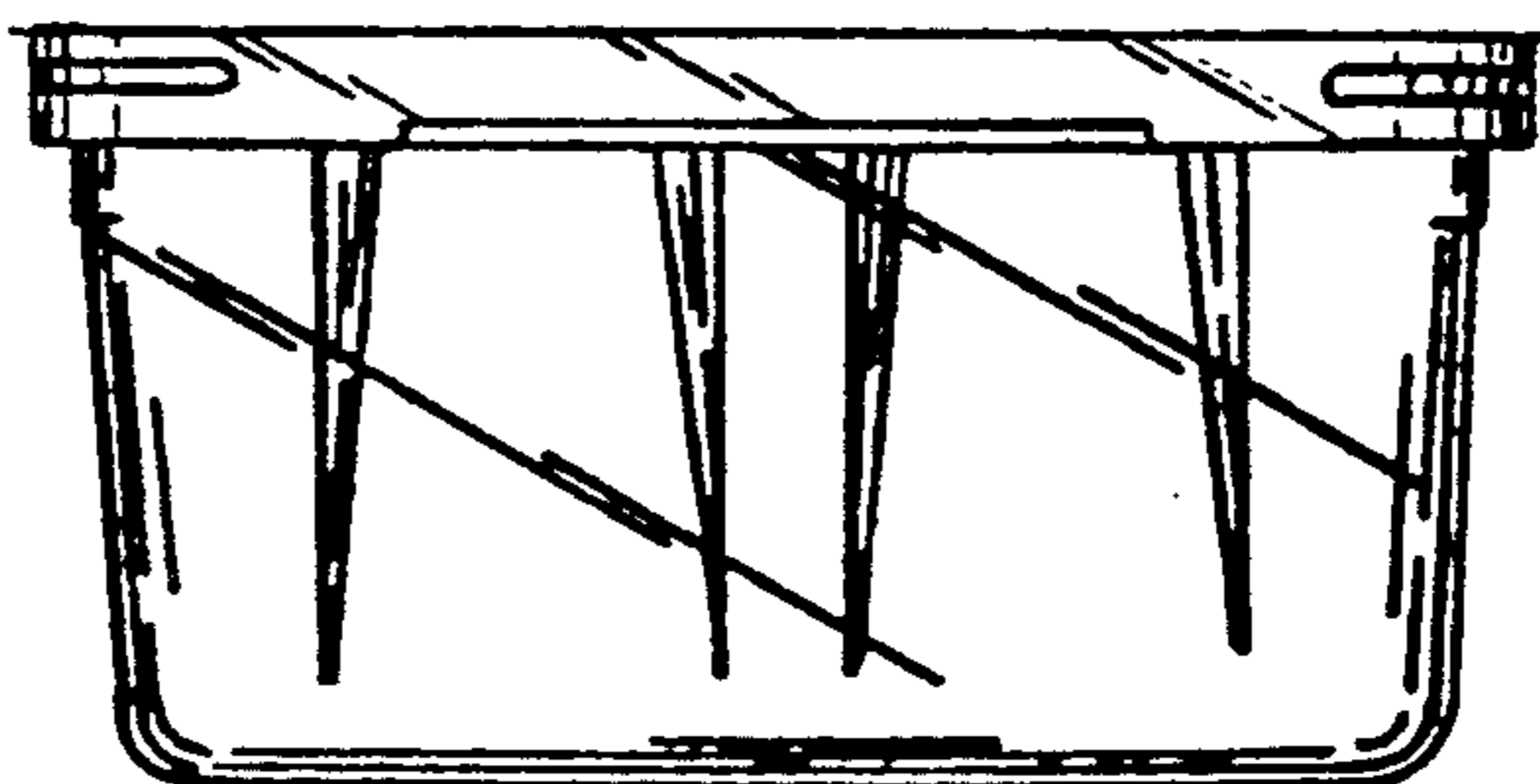
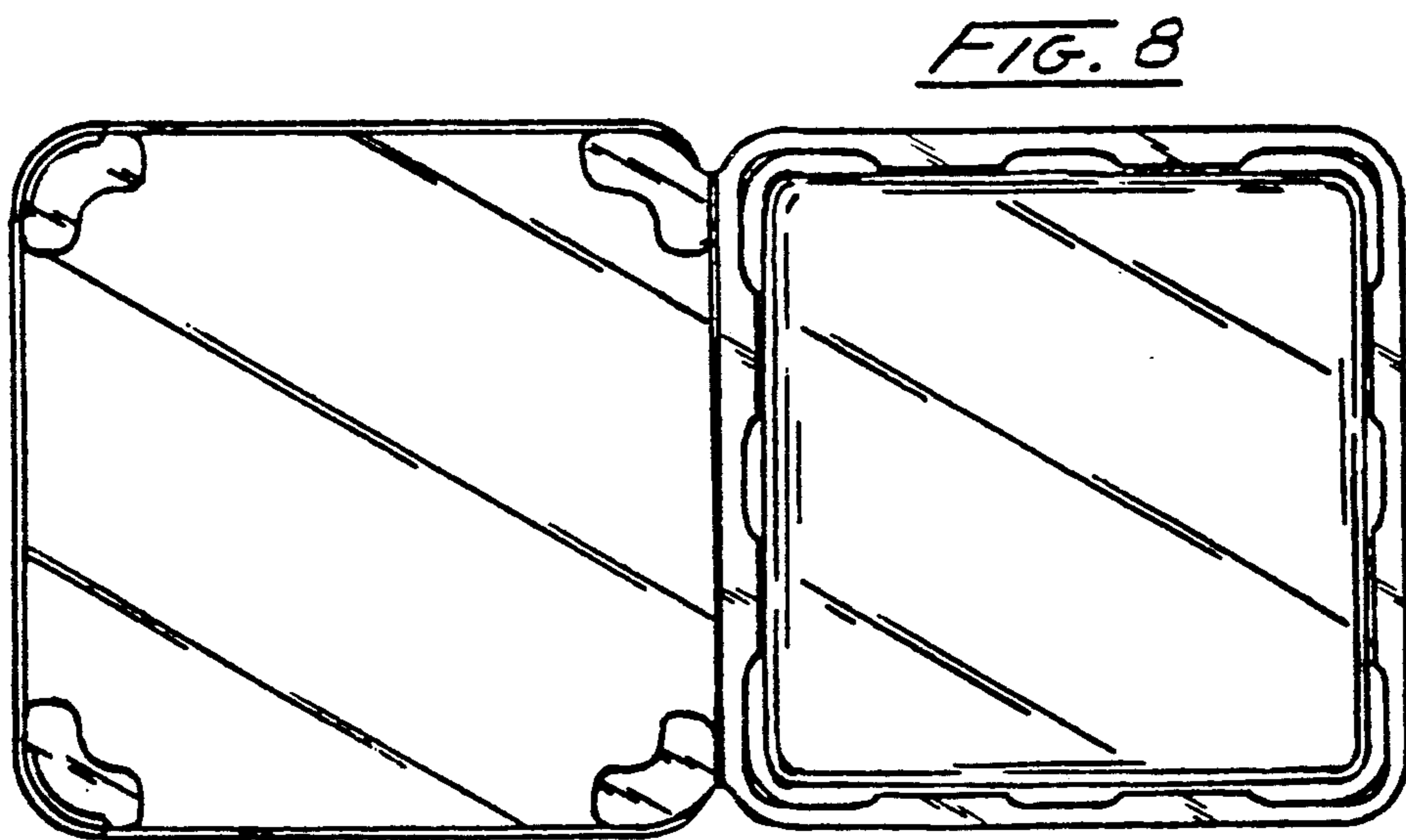
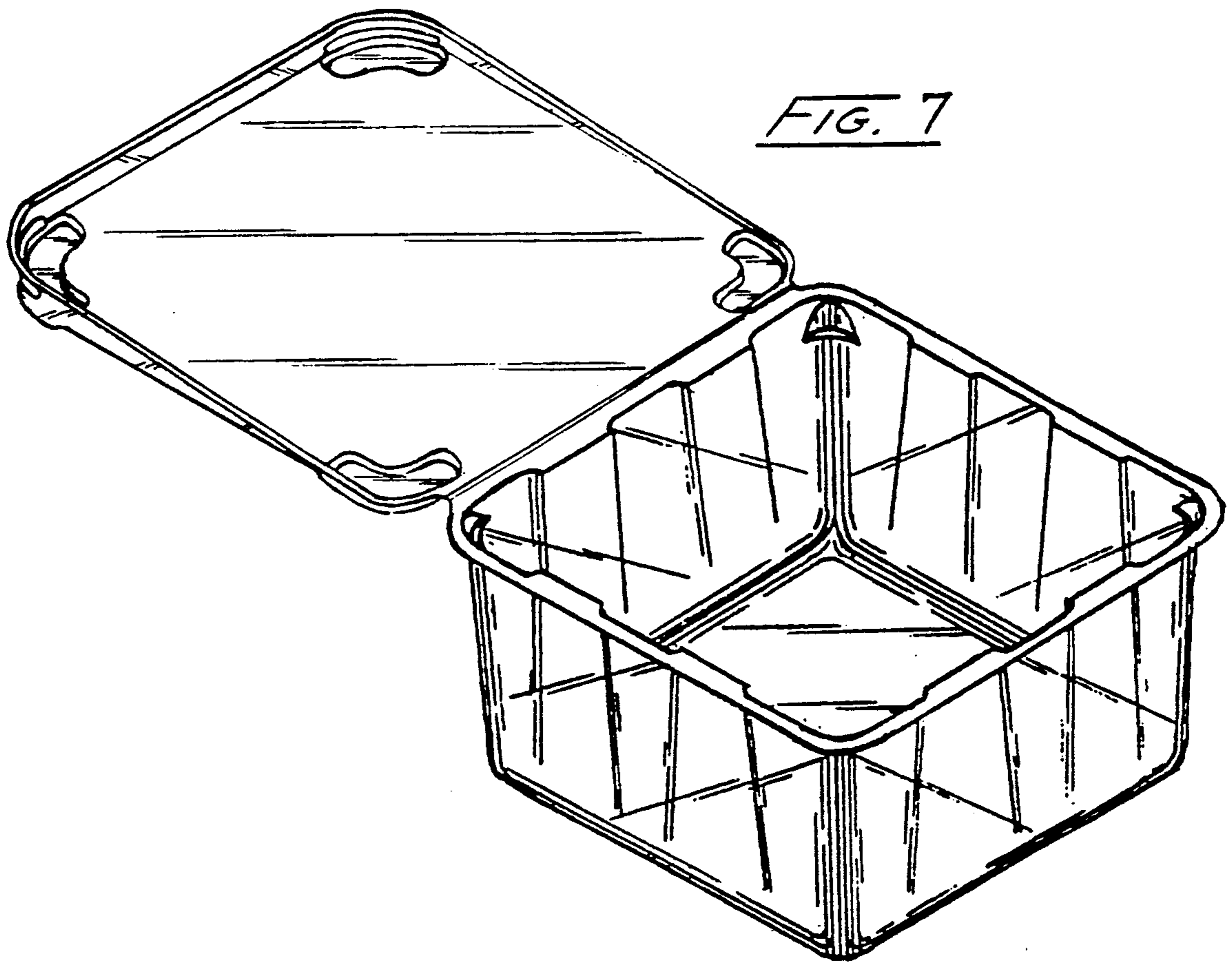


FIG 5

FIG 6





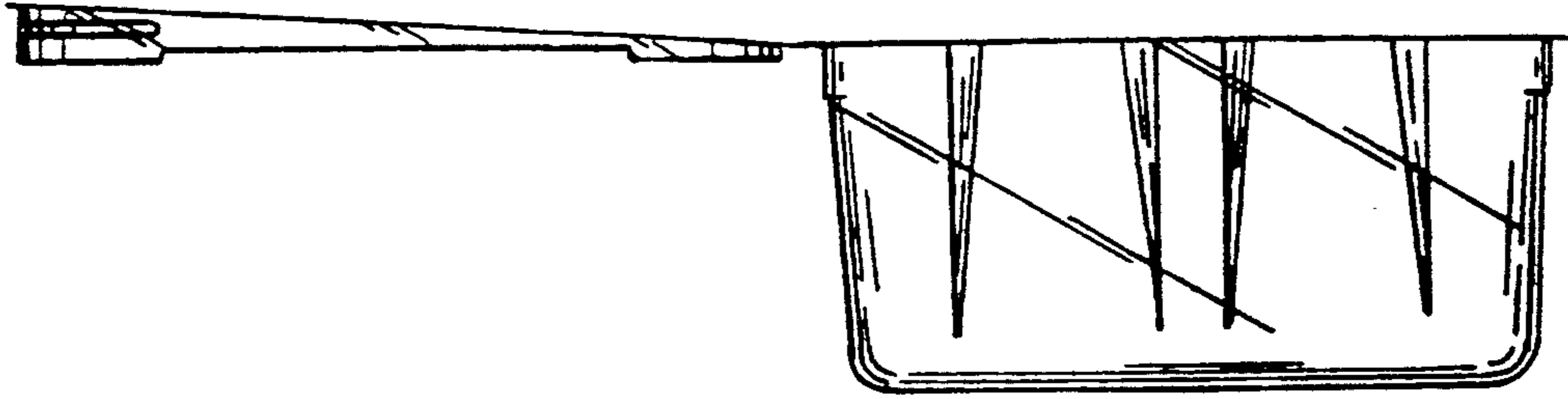


FIG. 9

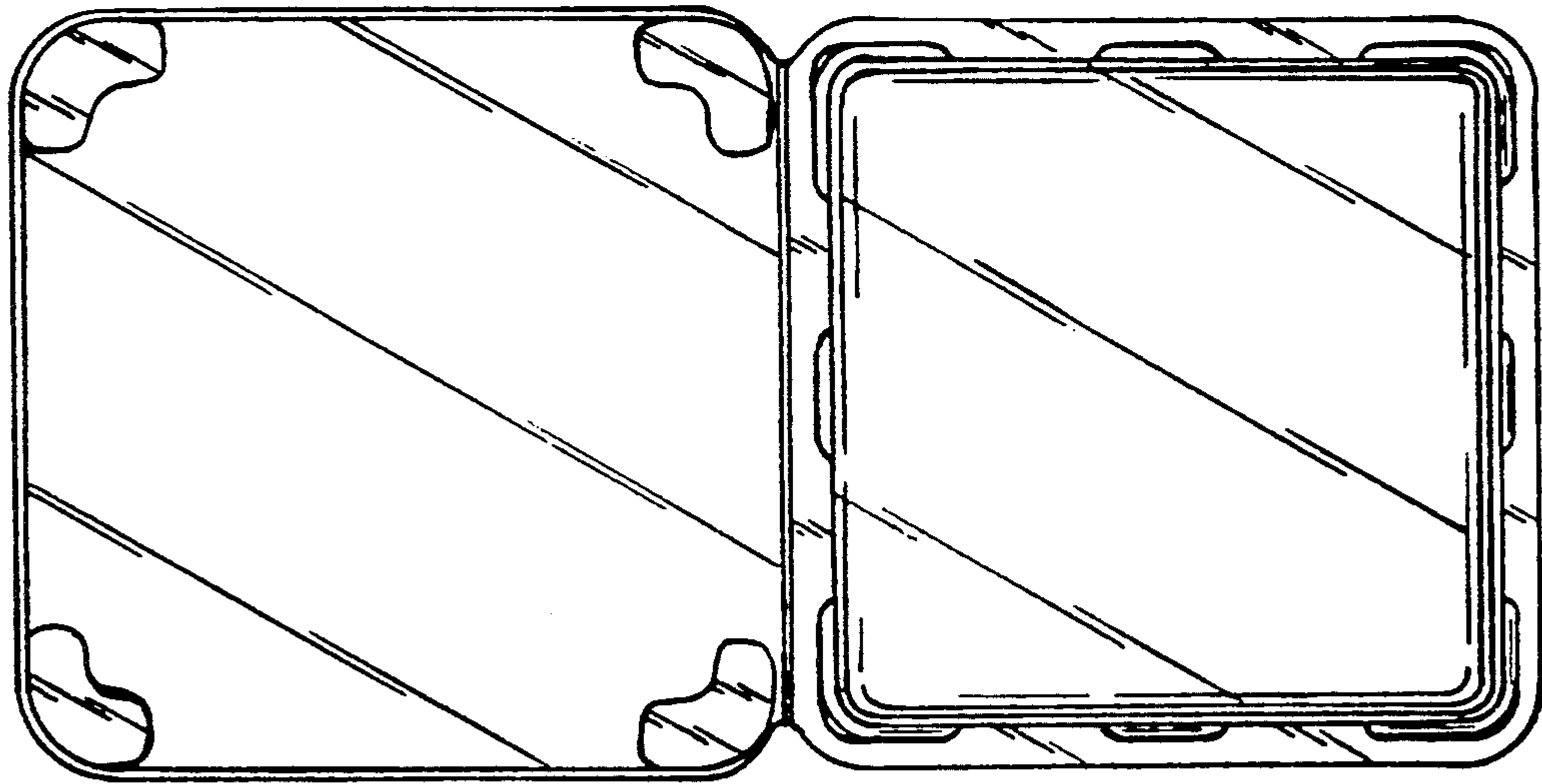


FIG. 10

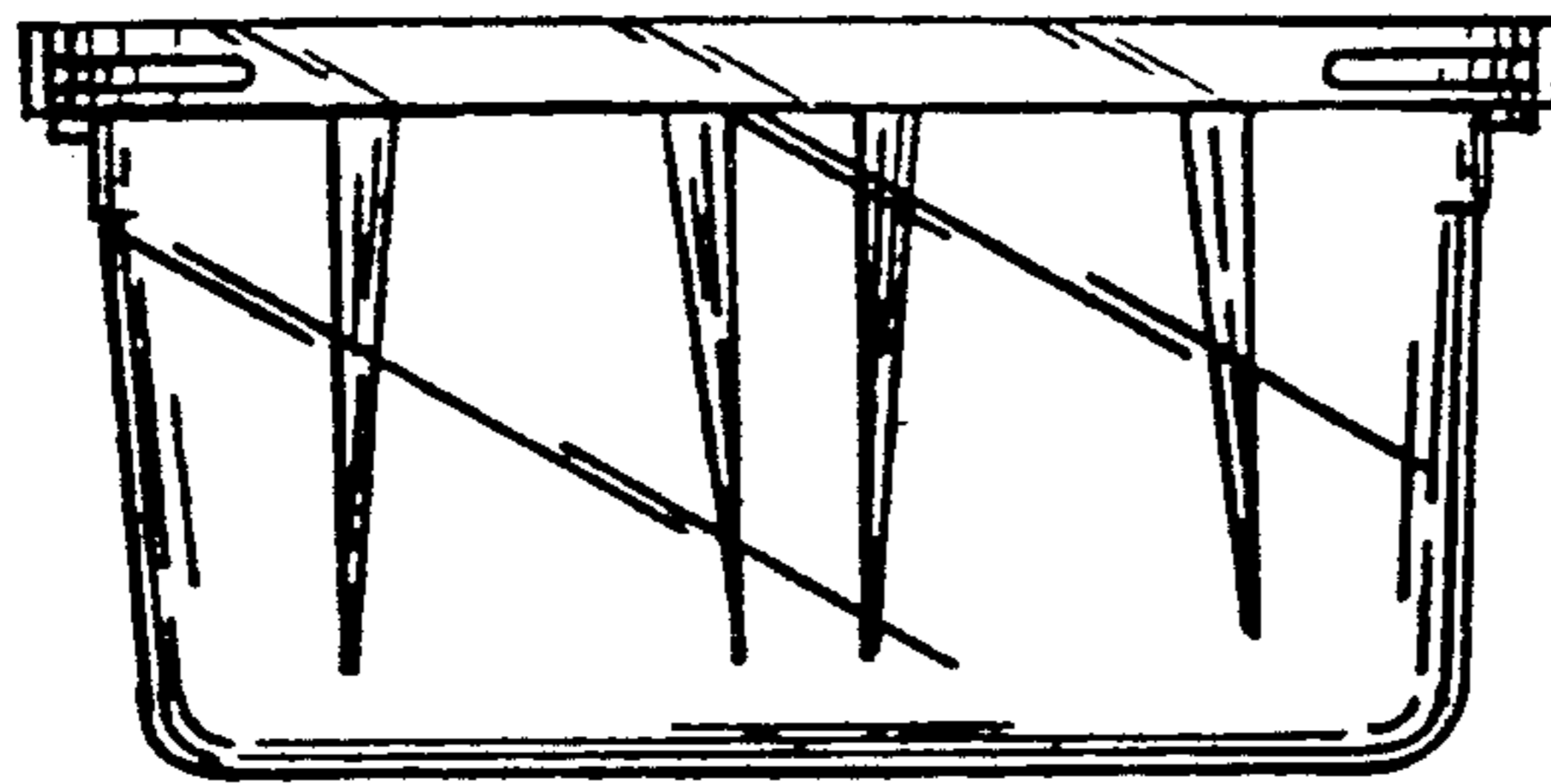


FIG. 11

FIG. 12

