



US00D327214S

# United States Patent [19]

[11] Patent Number: **Des. 327,214**

Stuart

[45] Date of Patent: **\*\* Jun. 23, 1992**

[54] **BRACKET FOR ANCHORING POSTS, WALL PANELS OR THE LIKE**

[75] Inventor: **Gordon Stuart, Holland Park, Australia**

[73] Assignee: **El Barador Holding Pty. Ltd., Queensland, Australia**

[\*\*] Term: **14 Years**

[21] Appl. No.: **238,168**

[22] Filed: **Aug. 30, 1988**

[52] U.S. Cl. .... **D8/373; D8/382**

[58] Field of Search ..... **D8/382, 394, 373; 52/720, 721; 248/300, 309.1**

[56] **References Cited**

**U.S. PATENT DOCUMENTS**

1,626,539 4/1927 Jones ..... 248/300  
3,944,809 3/1976 Moore et al. .... 248/300

**FOREIGN PATENT DOCUMENTS**

0091361 10/1983 European Pat. Off. .... 52/720

**OTHER PUBLICATIONS**

Grammes Metal Products Cat. 66; 1941; p. 52 Bracket (above center).

Seastrom Manufacturing Co., Inc. Cat. 50-A; ©1979; section 10; Bracket 5950.

*Primary Examiner*—B. J. Bullock

*Attorney, Agent, or Firm*—Kimmel, Crowell & Weaver

[57] **CLAIM**

The ornamental design for a bracket for anchoring posts, wall panels or the like, as shown.

**DESCRIPTION**

FIG. 1 is a top plan view of a bracket for anchoring posts, wall panels or the like showing my new design; FIG. 2 is a bottom plan view thereof; FIG. 3 is a front elevation view thereof; FIG. 4 is a rear elevation view thereof; FIG. 5 is a right side elevational view thereof; FIG. 6 is left side elevational view thereof; FIG. 7 is a bottom perspective view thereof; and, FIG. 8 is a top perspective view thereof.

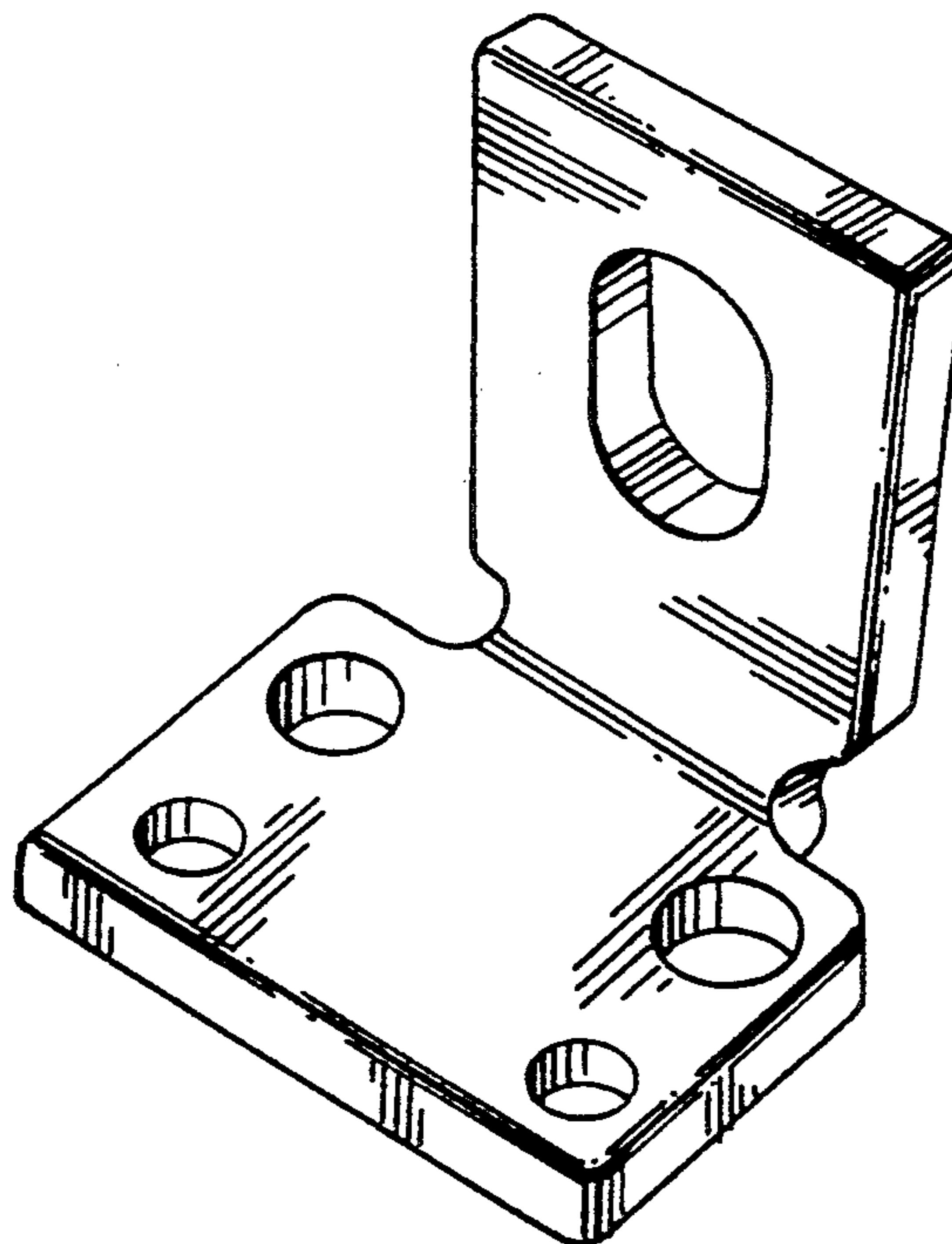


FIG. 1

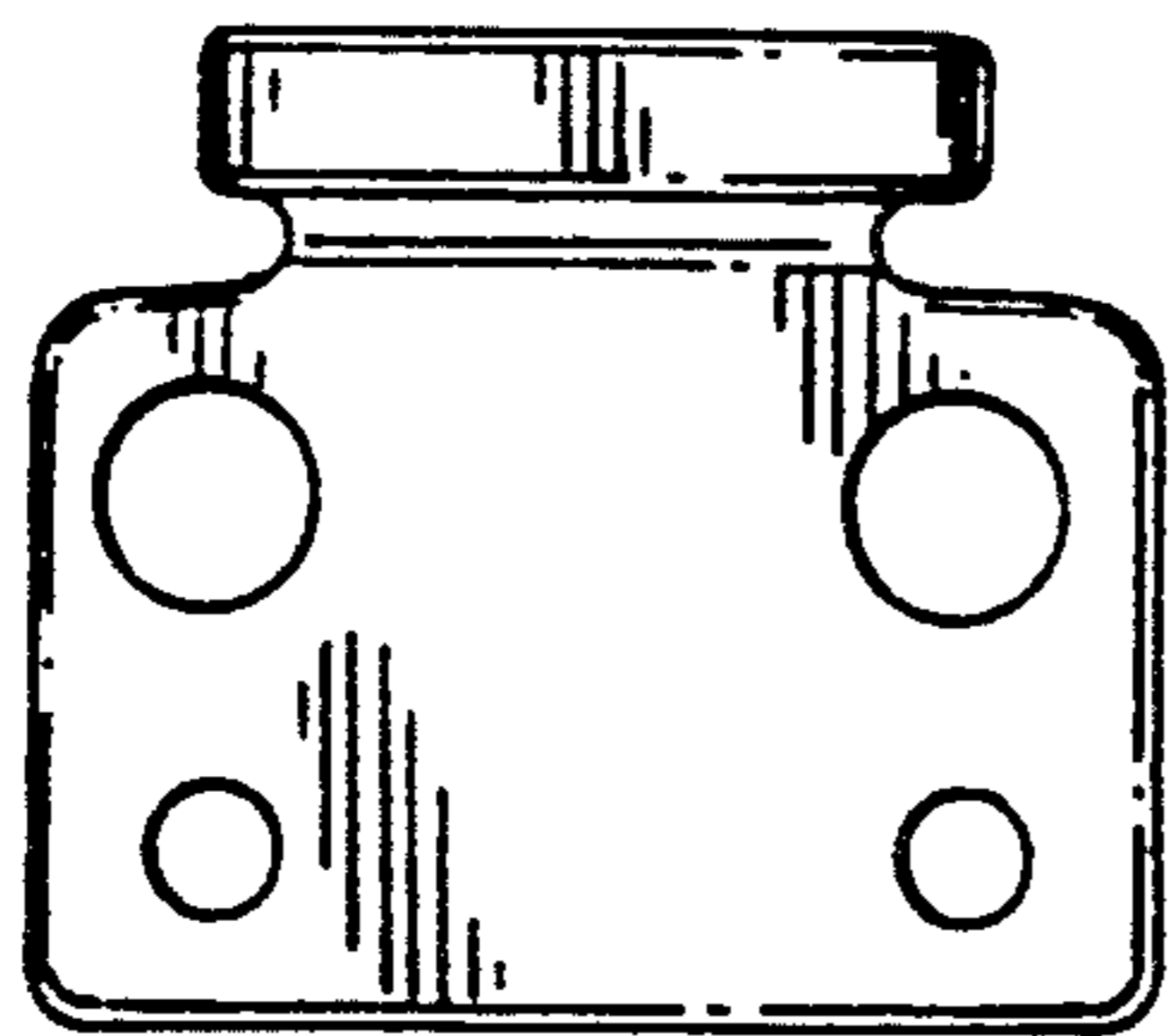


FIG. 2

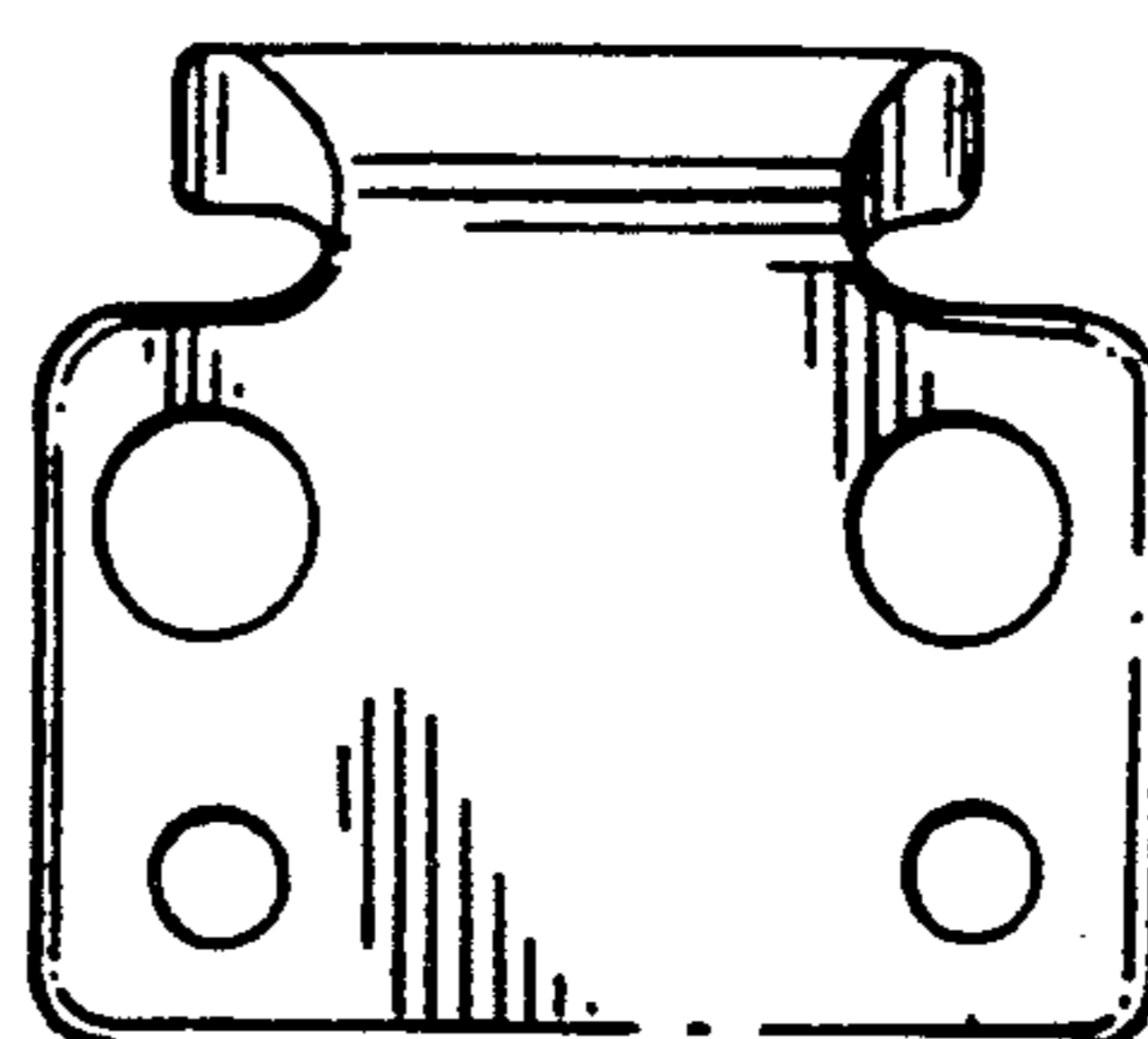


FIG. 3

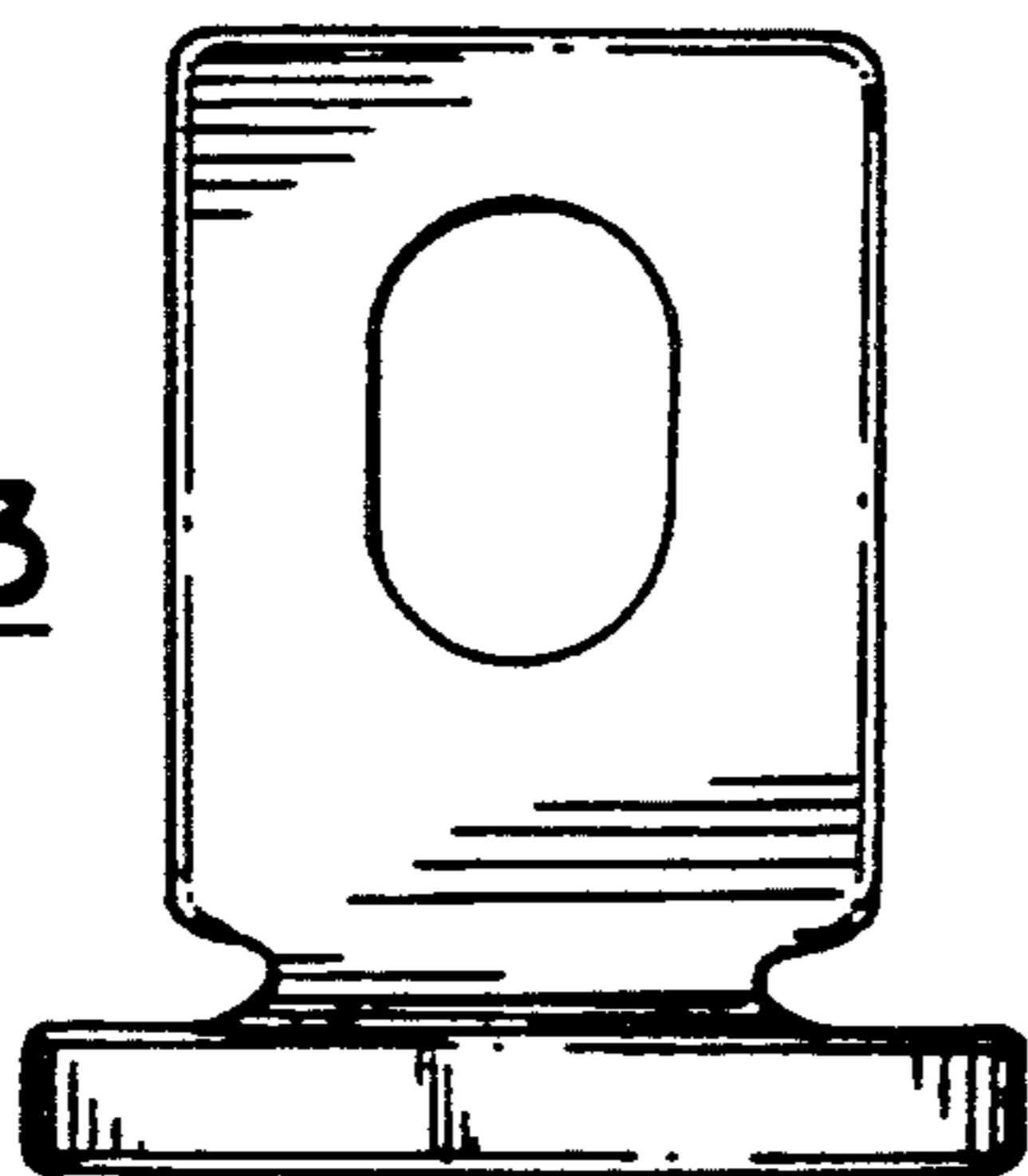


FIG. 4

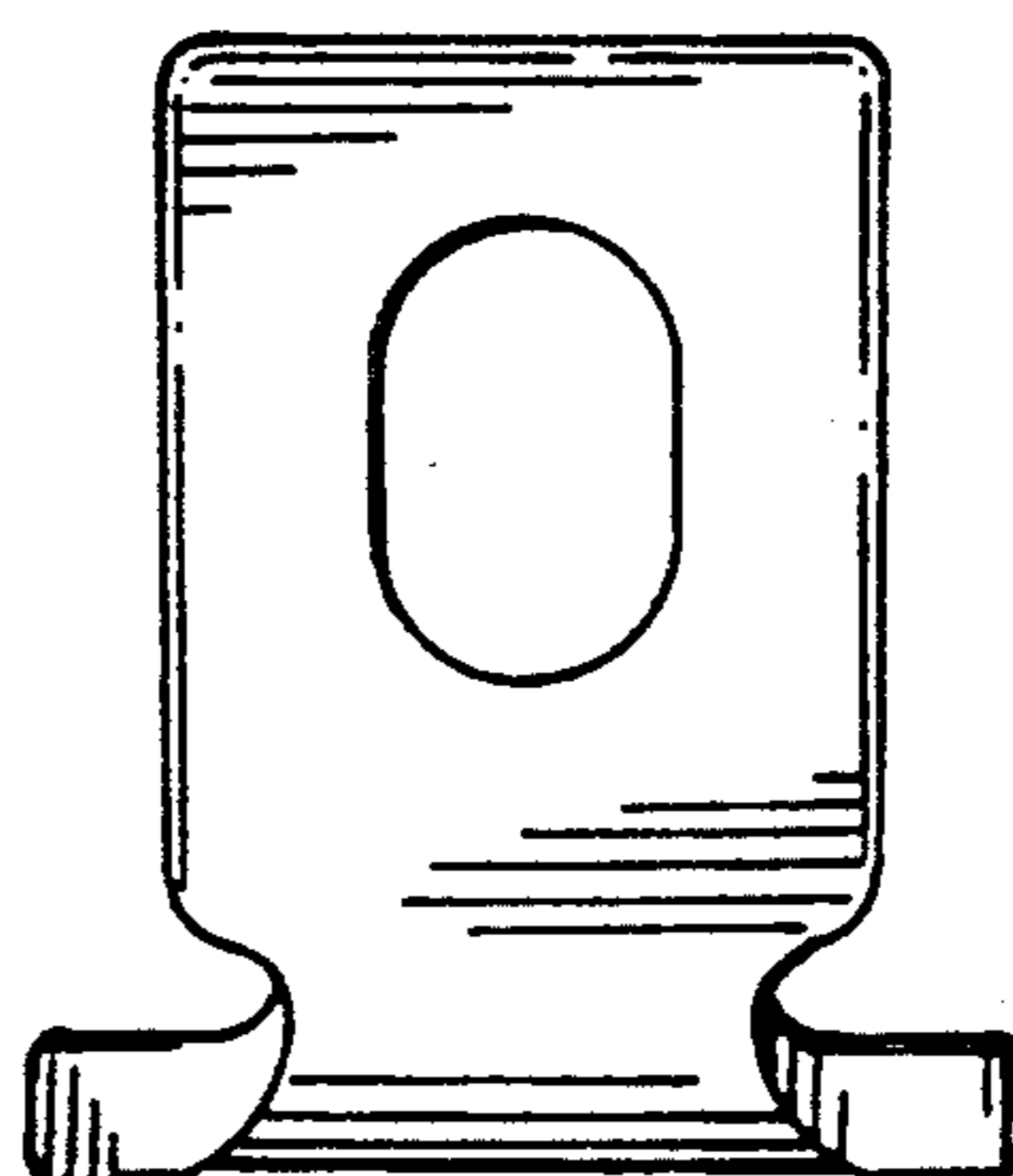


FIG. 5

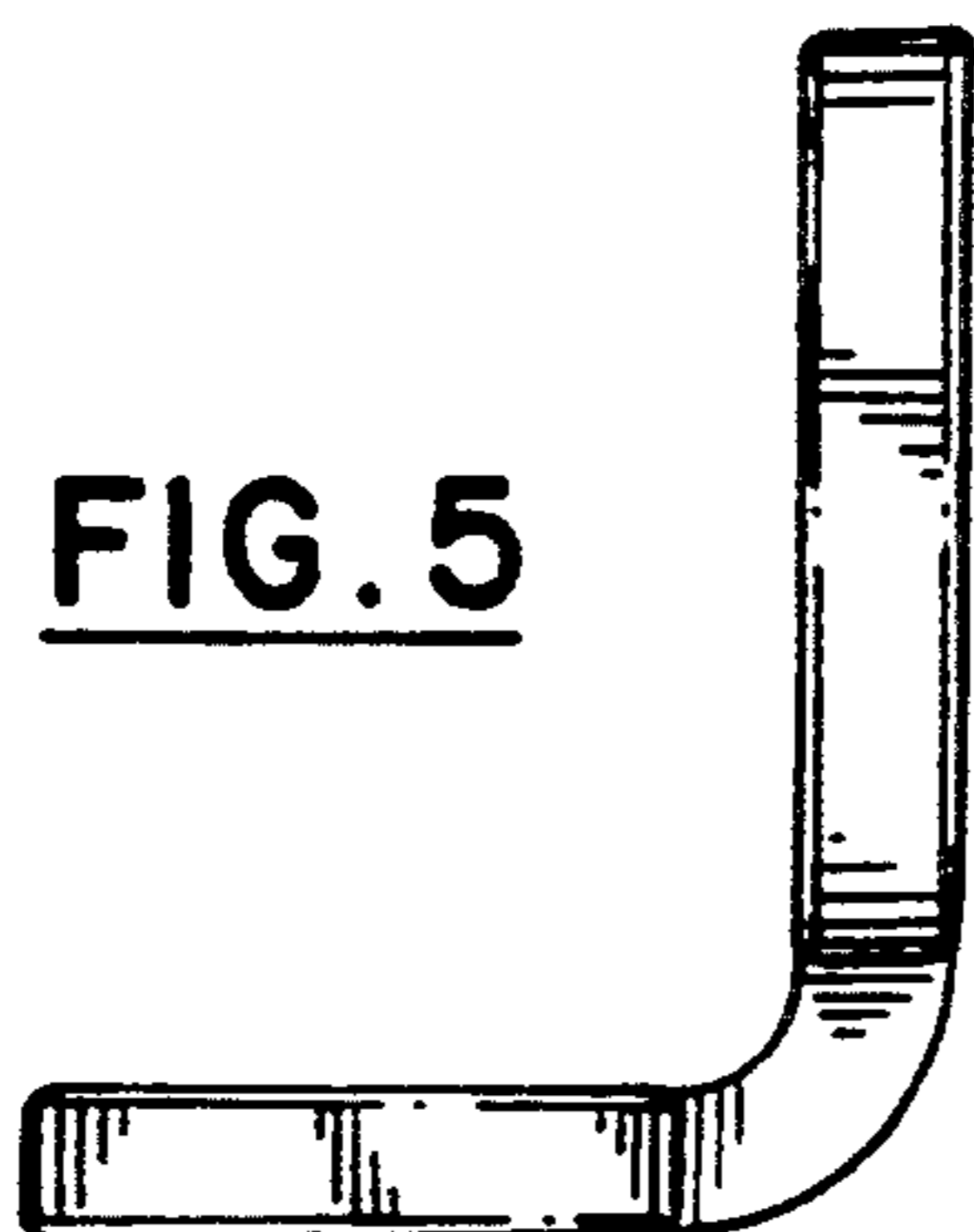


FIG. 6

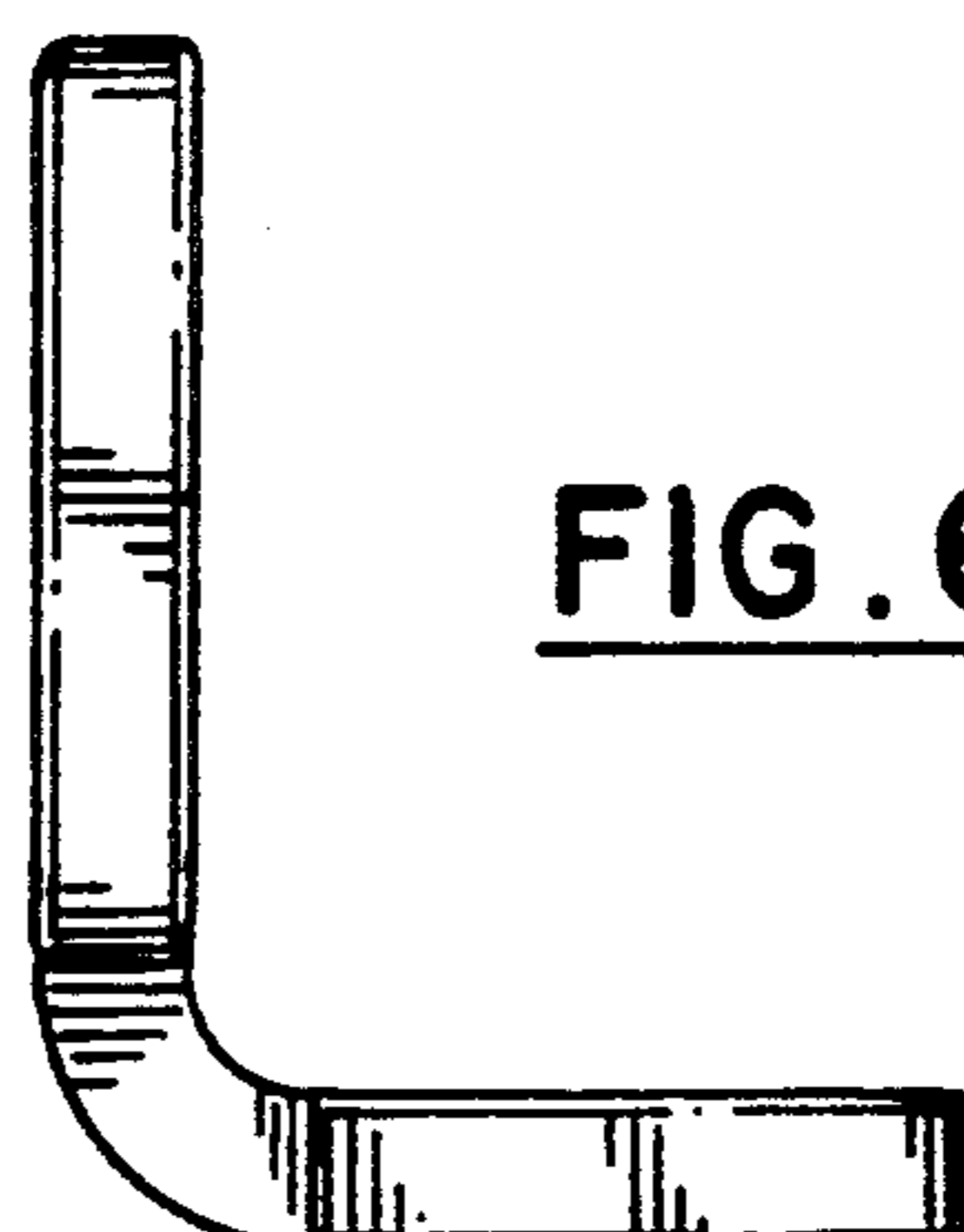


FIG. 7

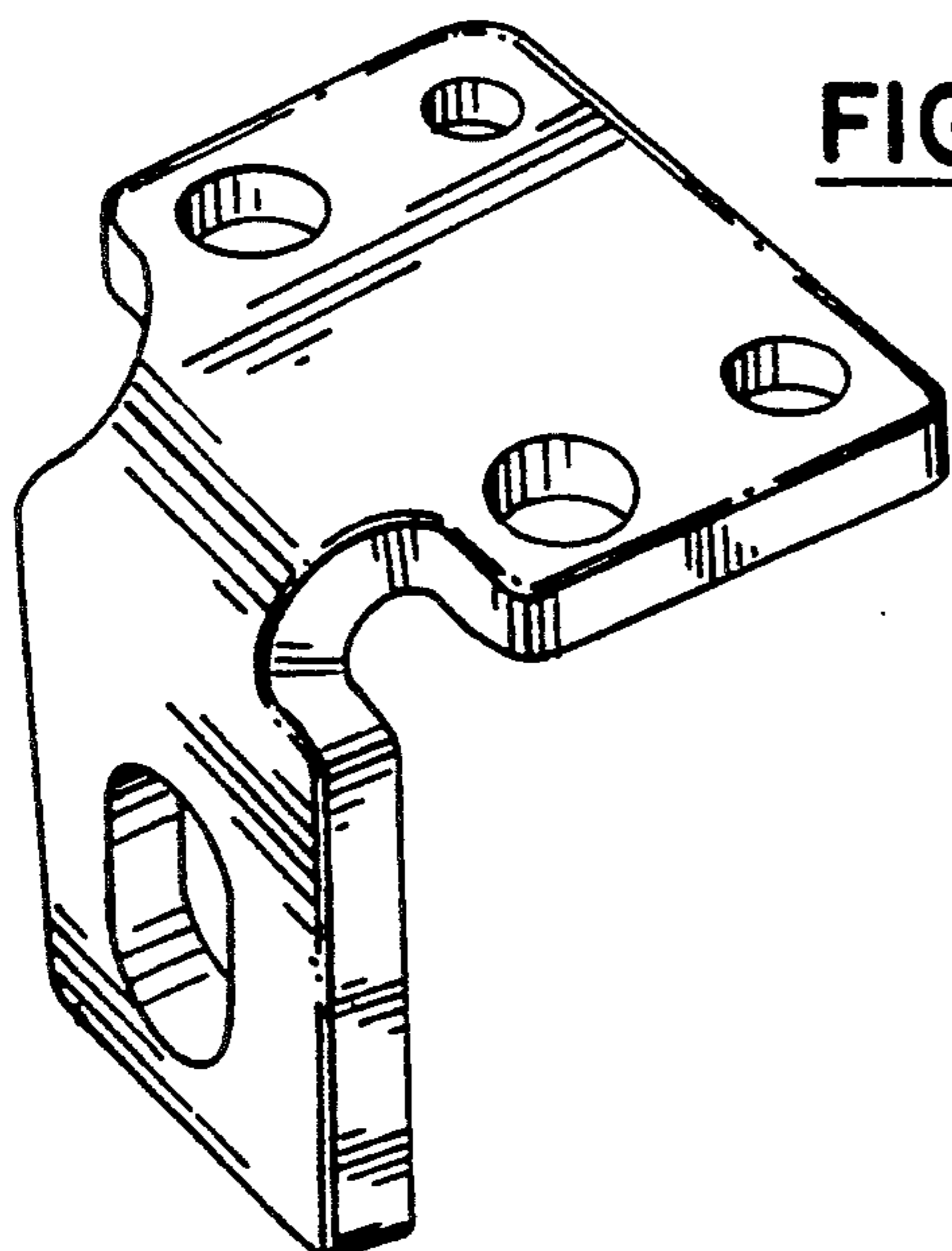


FIG. 8

