



US00D327213S

United States Patent [19]

[11] Patent Number: **Des. 327,213**

Murphy

[45] Date of Patent: **** Jun. 23, 1992**

[54] **WALL-MOUNTED HOOK PLATE**

[75] Inventor: **Kent W. Murphy, Wooster, Ohio**

[73] Assignee: **Rubbermaid Incorporated, Wooster, Ohio**

[**] Term: **14 Years**

[21] Appl. No.: **528,780**

[22] Filed: **May 29, 1990**

[52] U.S. Cl. **D8/367; D8/372; D8/373**

[58] Field of Search **D8/367, 373, 372; D6/323, 596, 526, 553; 248/339, 304, 312**

[56] **References Cited**

U.S. PATENT DOCUMENTS

- D. 243,426 2/1977 Joslyn D8/373
- D. 254,069 1/1980 Haley D8/373
- D. 272,023 1/1984 Mayer et al. D8/373 X
- D. 300,406 3/1989 Bordian D8/367
- D. 301,407 6/1989 Boeni D6/323
- D. 304,655 11/1989 Pool D8/373 X
- D. 312,385 11/1990 Hamann D8/373
- D. 312,960 12/1990 Embree et al. D8/373
- D. 316,000 4/1991 Logan et al. D6/553 X

OTHER PUBLICATIONS

Hewi® Hooks and Coat Hangers: 6 page brochure. © for 1989.
 Catalog page S. A. Grosfillex, Belgique/Belgie, 344 Chaussee d'Alsemberg, 1180 Bruxelles, Publication date unknown.
 P. 92B. Home World Business, address unknown, Publication date Jan. 15, 1990.

Sell Sheet, Flair, address unknown, Publication date unknown.

Sell Sheet, Crawford Products, Inc., 301 Winter Street, West Hanover, Mass. 02339, publication date unknown.

Sell Sheet, Raaco Workshop Wall, address unknown, Publication date unknown.

Pp. 22, 23 & 24, Knappe & Vogt Mfg. Co., Catalog No. CC828, 2700 Oak Industries Dr. N.E., Grand Rapids, Mich. 49505, Publication date unknown.

Sell Sheet, Tencate Mfg. Co., Inc., P.O. Box 1245 Northbrook, Ill. 60062, Publication date unknown.

Pp. 4 & 6, Hirsh Company, address unknown, Publication date 1988.

Catalog Page, Rubbermaid Incorporated, 1147 Akron Road, Wooster, Oh 44691, Publication date 1988, 1989.

Primary Examiner—Horace B. Fay, Jr.

Attorney, Agent, or Firm—Richard B. O'Planick

[57] **CLAIM**

The ornamental design for a wall-mounted hook plate, shown and described.

DESCRIPTION

FIG. 1 is a front, top and right side perspective view of a wall-mounted hook plate showing my new design;

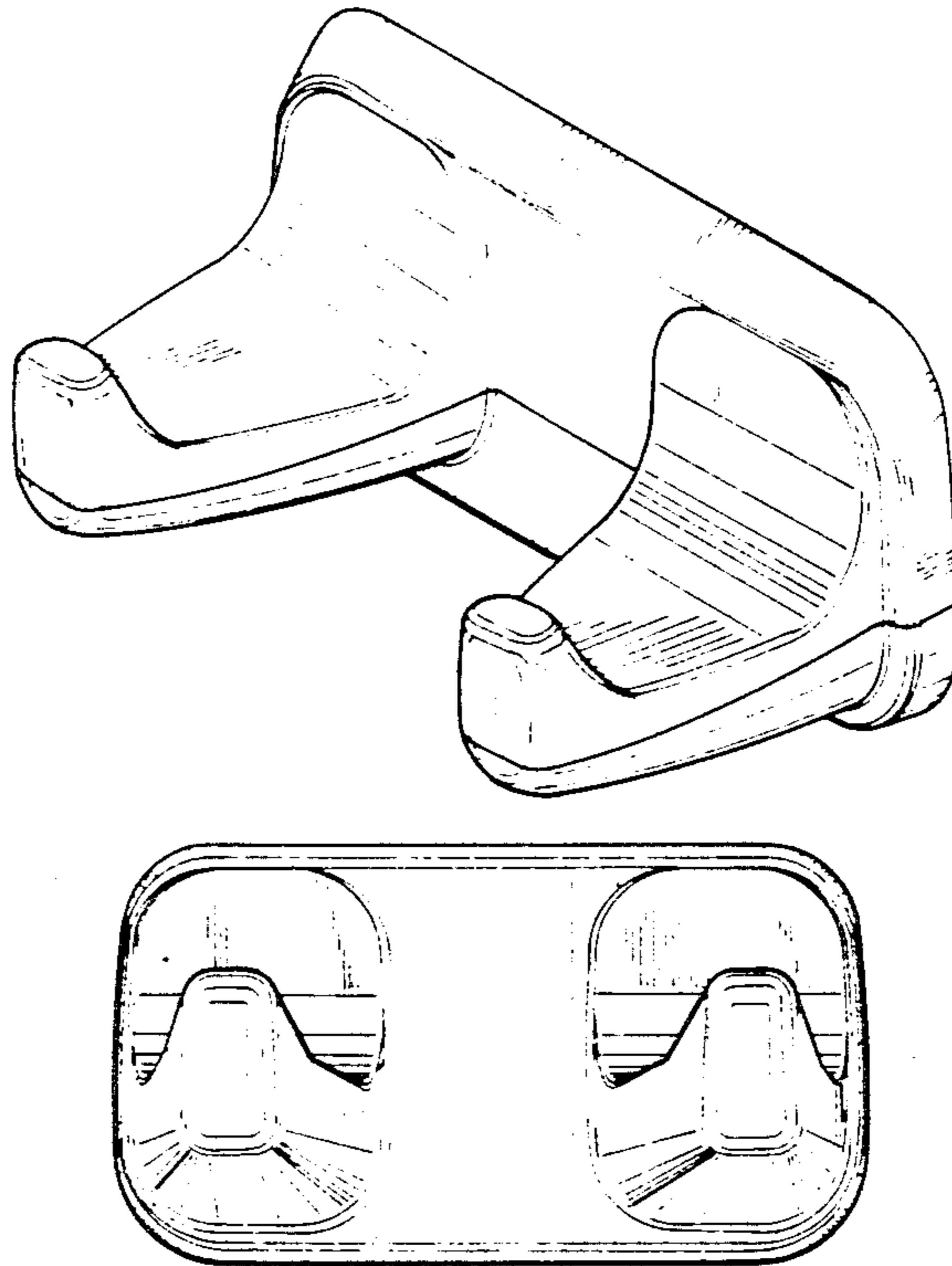
FIG. 2 is a right side elevational view thereof, the side opposite being a mirror image;

FIG. 3 is a front elevational view thereof;

FIGS. 4 and 5 are respectively top and bottom plan views;

FIG. 6 is a rear elevational view thereof; and,

FIG. 7 is a front, top and right side perspective view of a second embodiment thereof, the rear elevational view thereof being plain and unadorned.



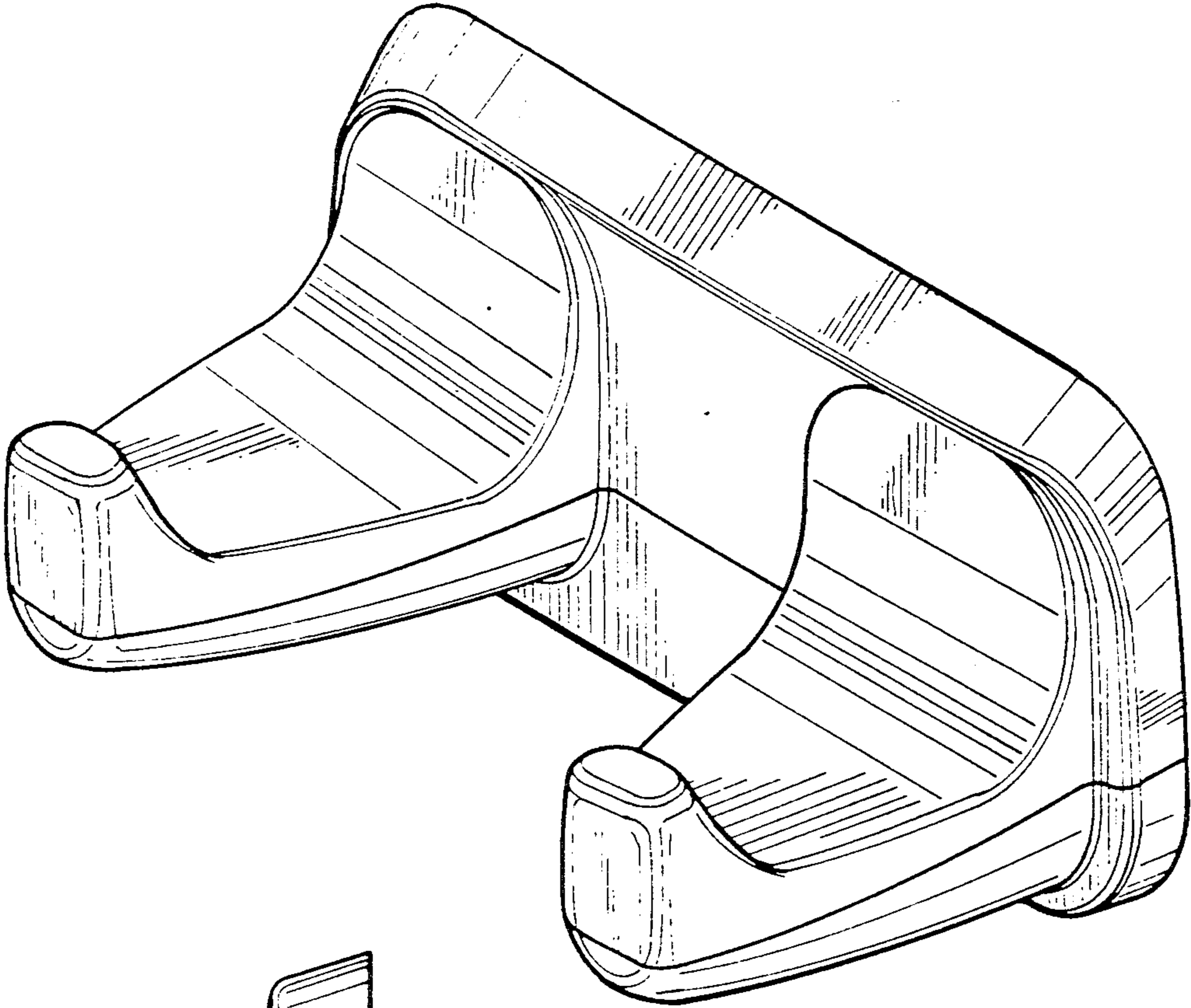


FIG. 1

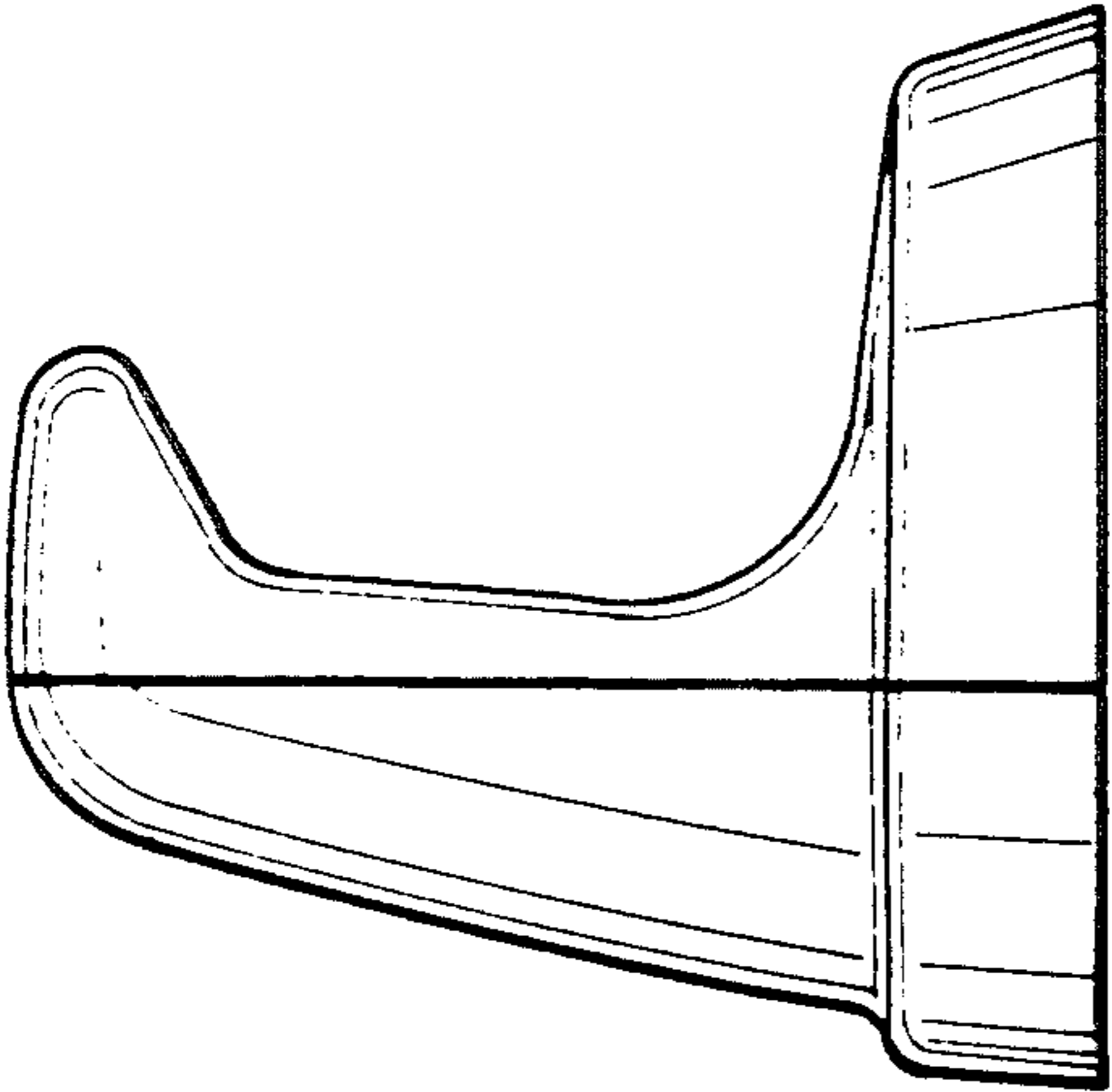


FIG. 2

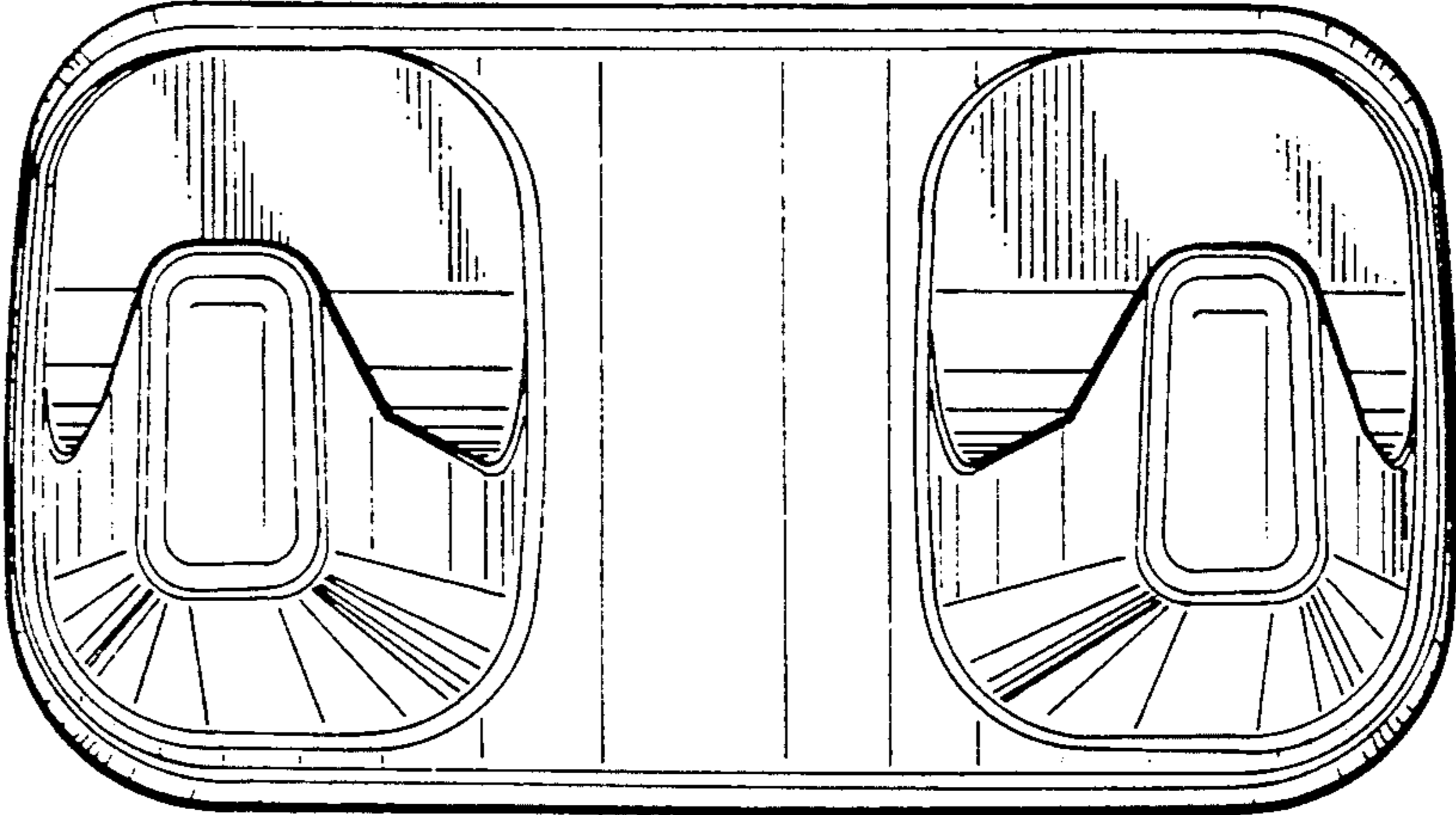


FIG. 3

FIG. 4

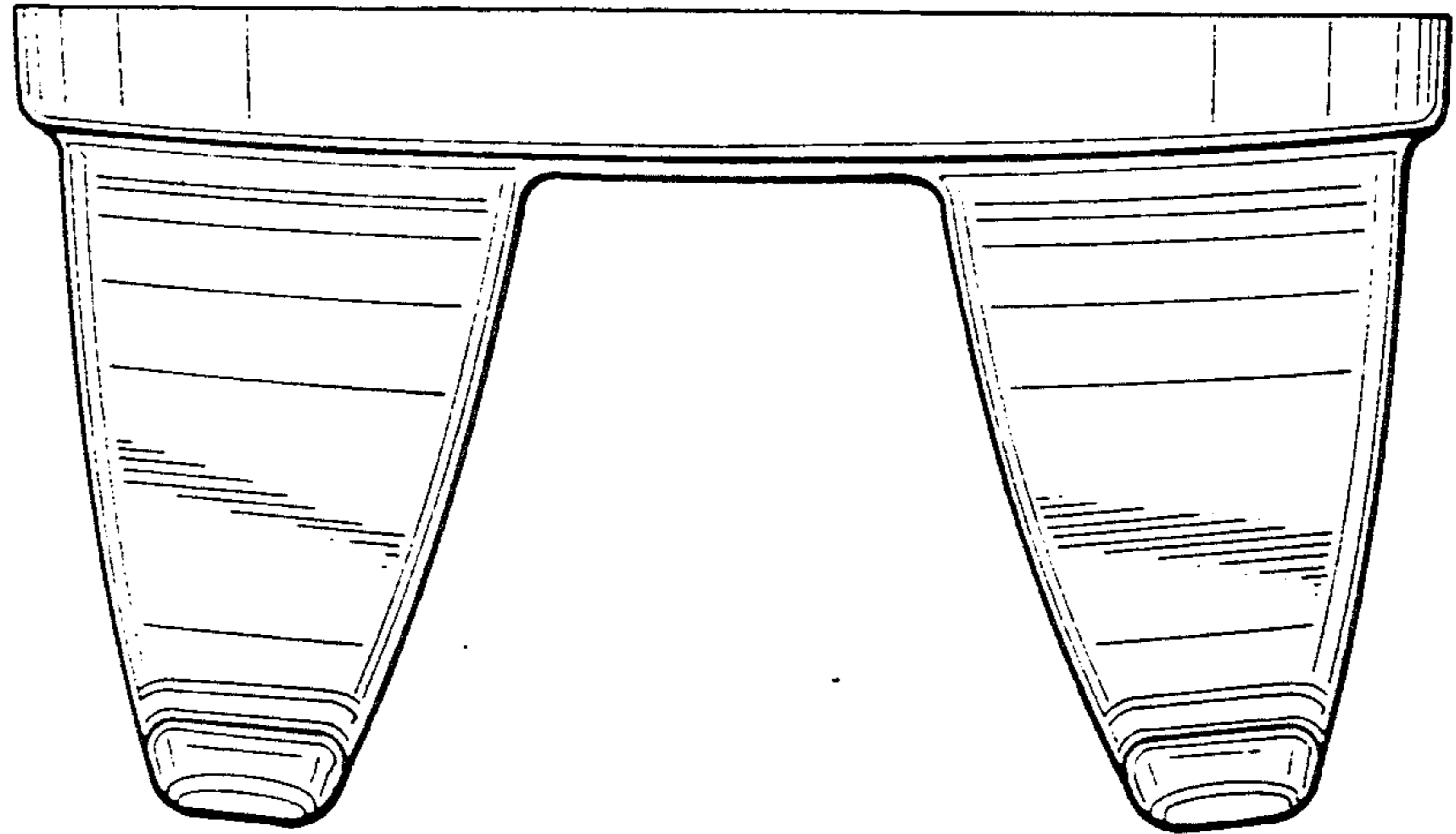


FIG. 5

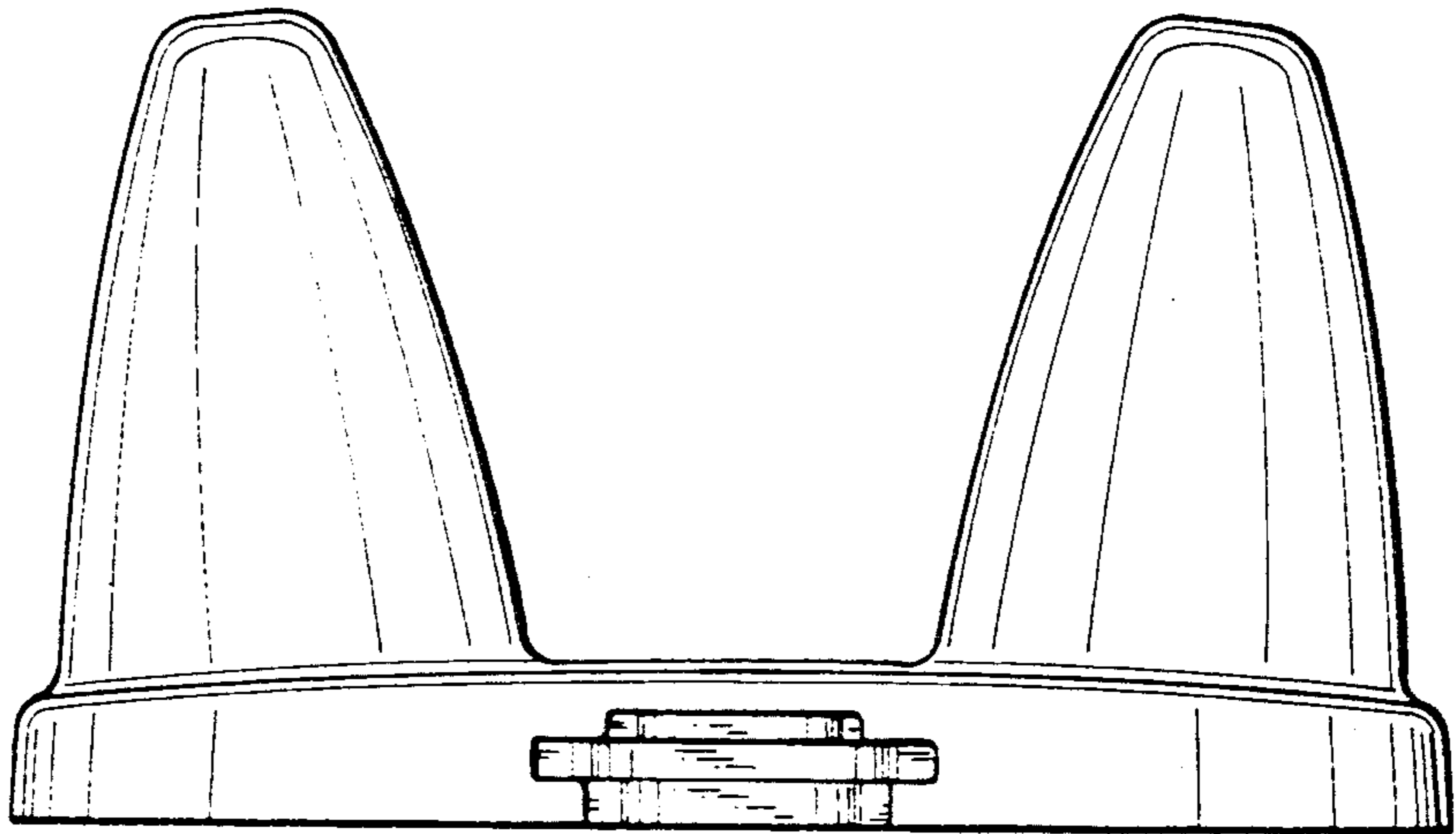
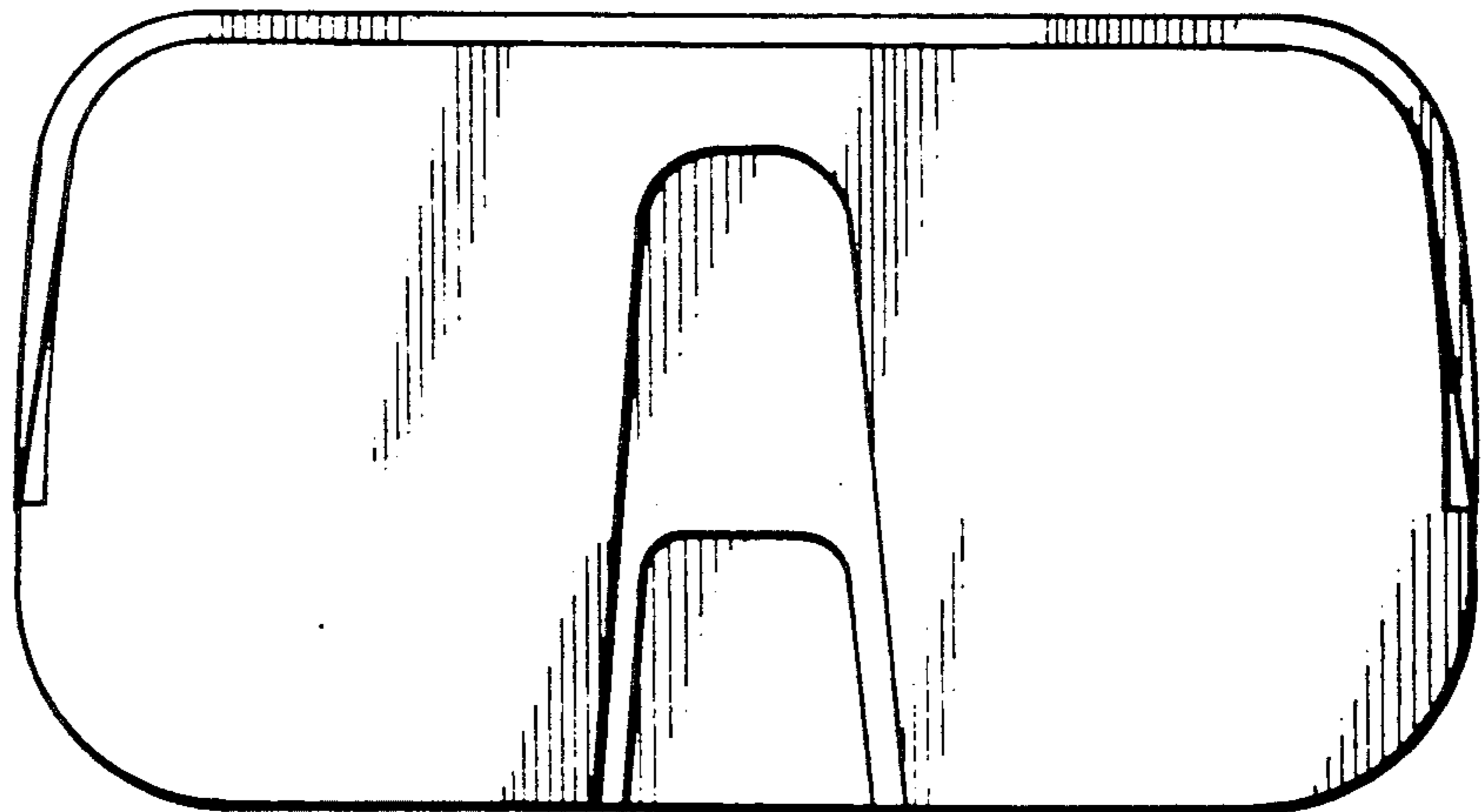


FIG. 6



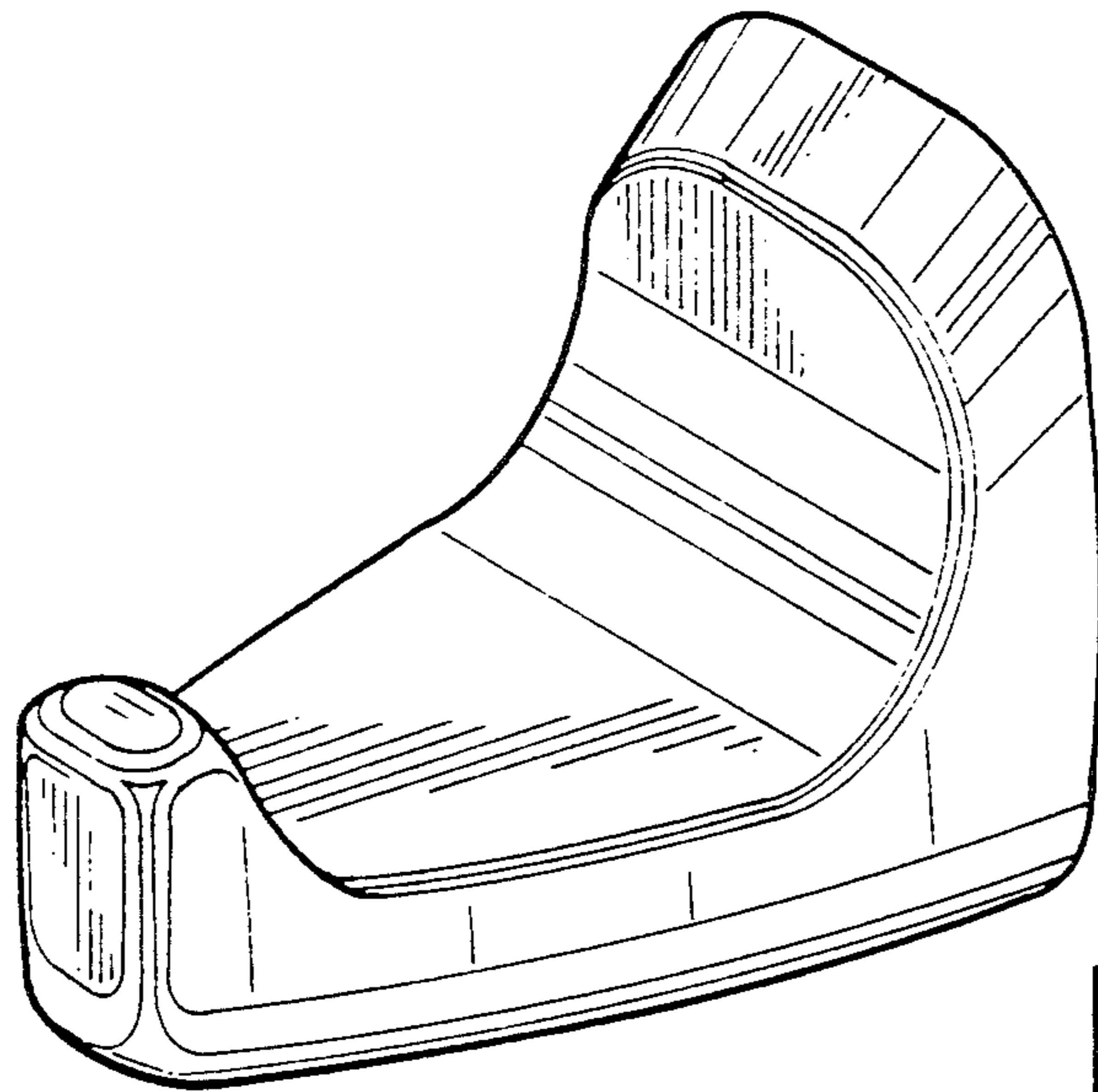


FIG. 7