



US00D327212S

# United States Patent [19]

[11] Patent Number: **Des. 327,212**

Hubben et al.

[45] Date of Patent: **\*\* Jun. 23, 1992**

[54] **WALL PLATE FOR ELECTRICAL WIRING DEVICE**

*Primary Examiner*—B. J. Bullock  
*Attorney, Agent, or Firm*—Charles S. McGuire

[75] Inventors: **Edward B. Hubben, Skaneateles;**  
**Jean-Claude Marcou, Fayetteville,**  
both of N.Y.

[57] **CLAIM**

The ornamental design for a wall plate for electrical wiring device, as shown and described.

[73] Assignee: **Pass & Seymour, Inc., Syracuse, N.Y.**

**DESCRIPTION**

[\*\*] Term: **14 Years**

FIG. 1 is a perspective view of a wall plate for electrical wiring device showing our new design;

[21] Appl. No.: **532,982**

FIG. 2 is an enlarged front elevational view thereof;

[22] Filed: **Jun. 4, 1990**

FIG. 3 is an enlarged right side elevational view thereof;

[52] U.S. Cl. .... **D8/353**

FIG. 4 is an enlarged rear elevational view thereof;

[58] Field of Search ..... **D8/350, 351-353;**  
**174/66; 220/241; D6/300**

FIG. 5 is an enlarged top plan view thereof;

FIG. 6 is an enlarged bottom plan view thereof;

[56] **References Cited**

**U.S. PATENT DOCUMENTS**

D. 75,096	5/1928	Both	.....	D8/353
D. 284,261	6/1986	Sorenson	.....	D8/353
D. 298,733	11/1988	Pool	.....	D8/353
4,989,353	2/1991	Astolfi	.....	D8/353
5,041,698	8/1991	Takagi et al.	.....	174/66

FIG. 7 is a perspective view of a second embodiment of the design of FIG. 1;

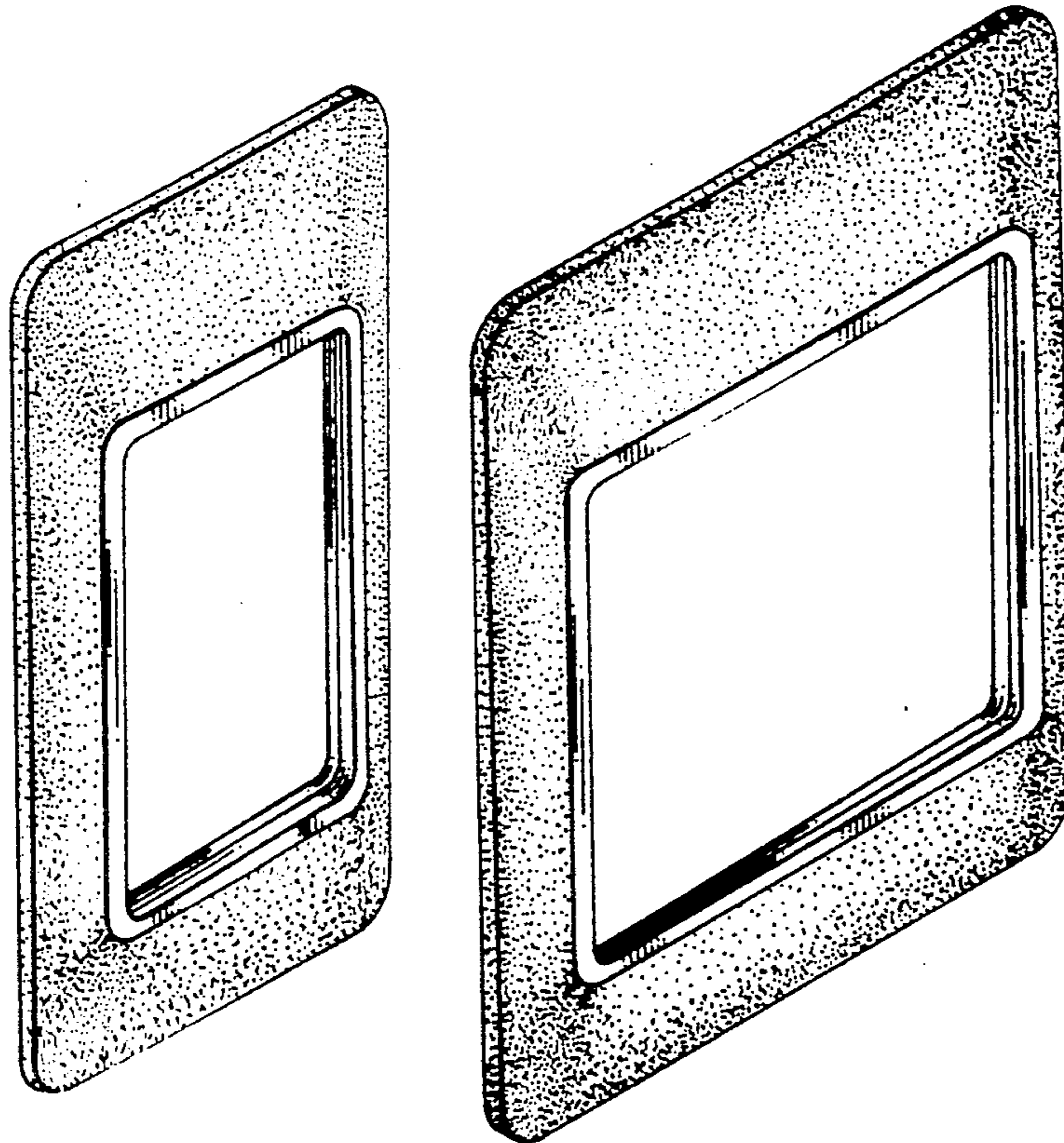
FIG. 8 is an enlarged front elevational view of FIG. 7;

FIG. 9 is an enlarged right side elevational view of FIG. 7;

FIG. 10 is an enlarged rear elevational view of FIG. 7;

FIG. 11 is an enlarged top plan view of FIG. 7; and,

FIG. 12 is an enlarged bottom plan view of FIG. 7.



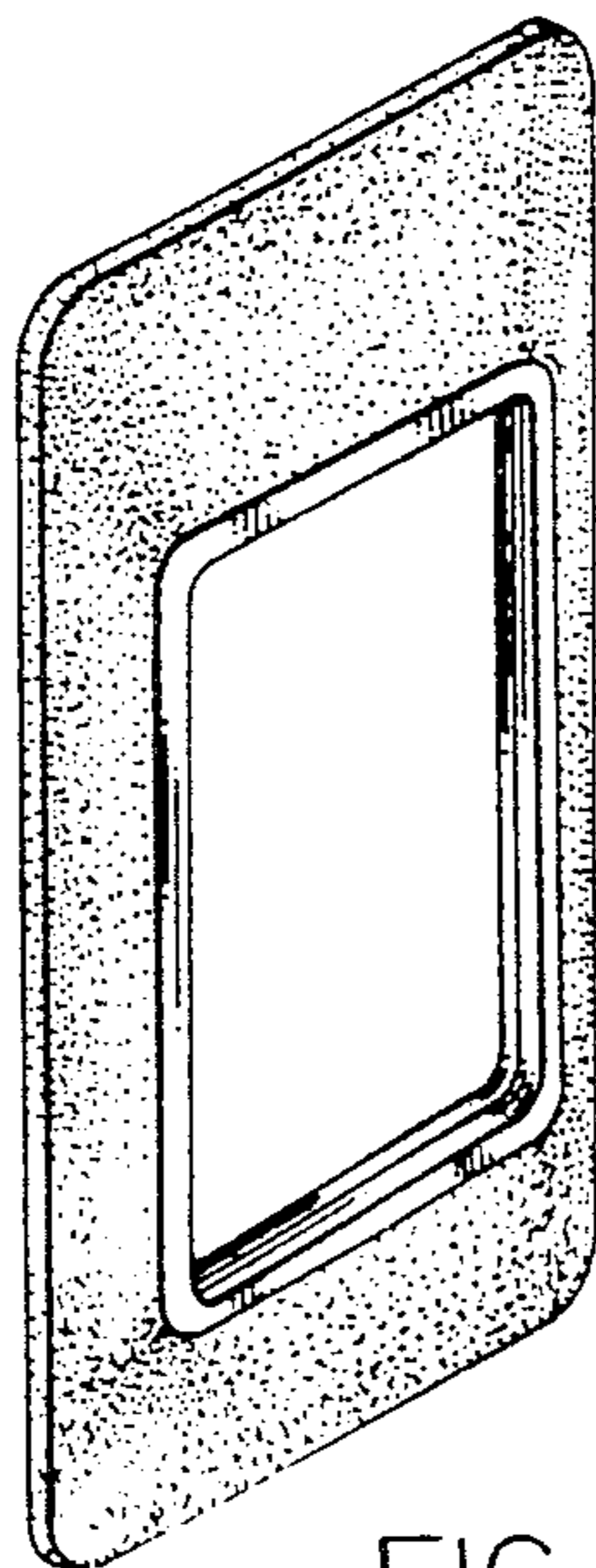


FIG. 1.

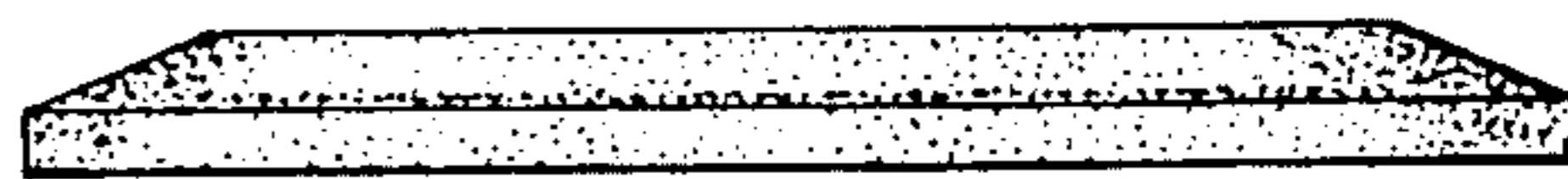


FIG. 5.



FIG. 6.

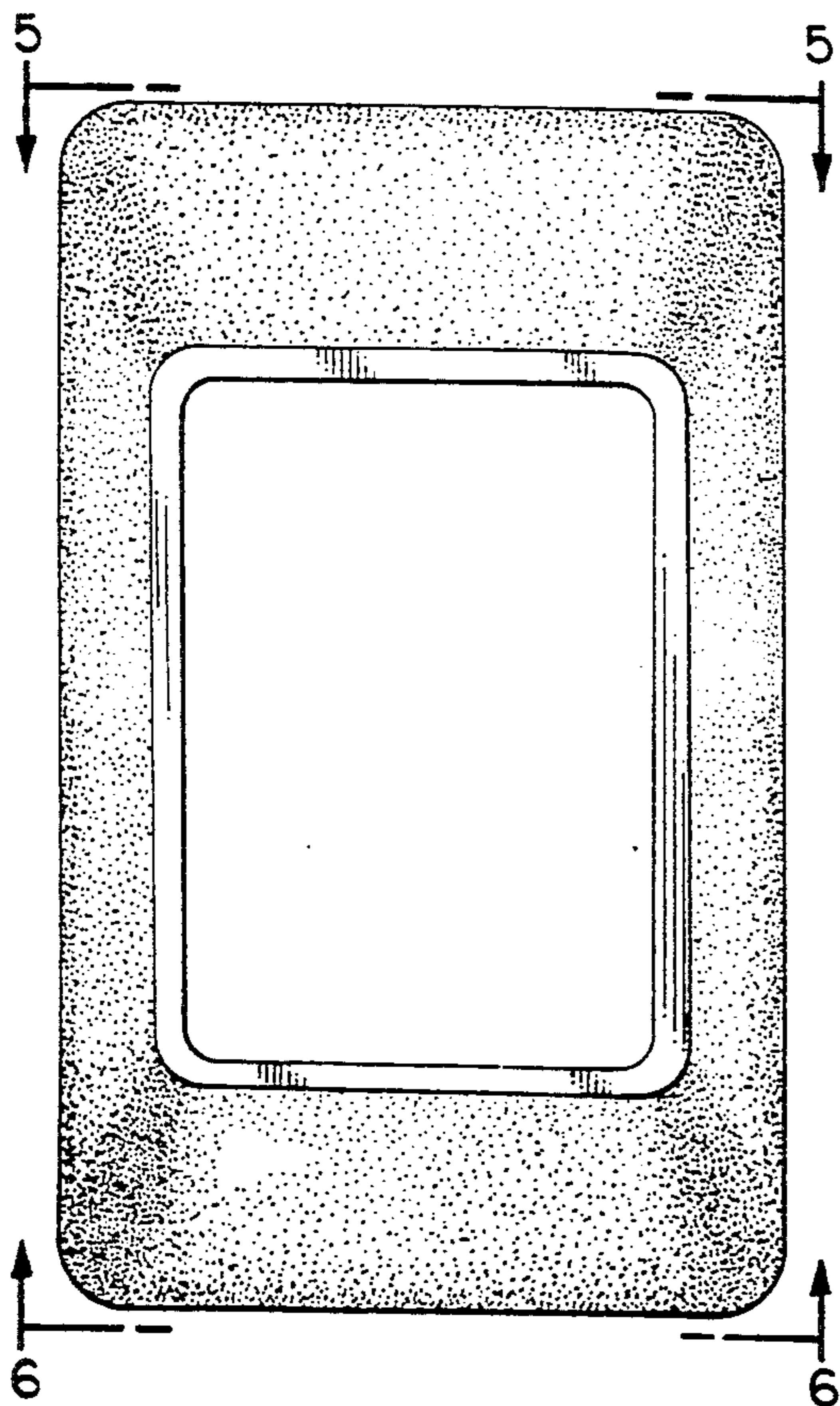


FIG. 2.



FIG. 3.

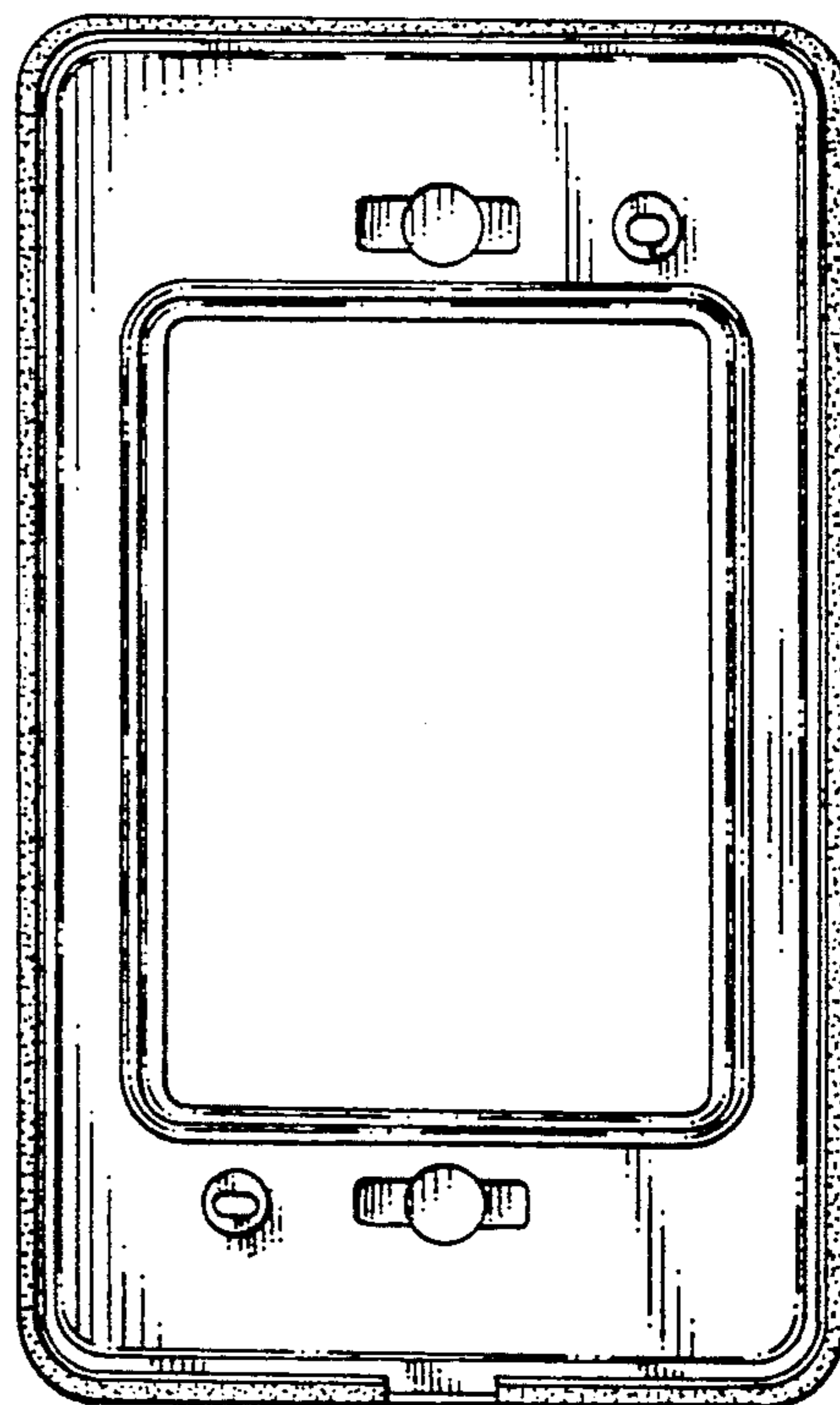


FIG. 4.

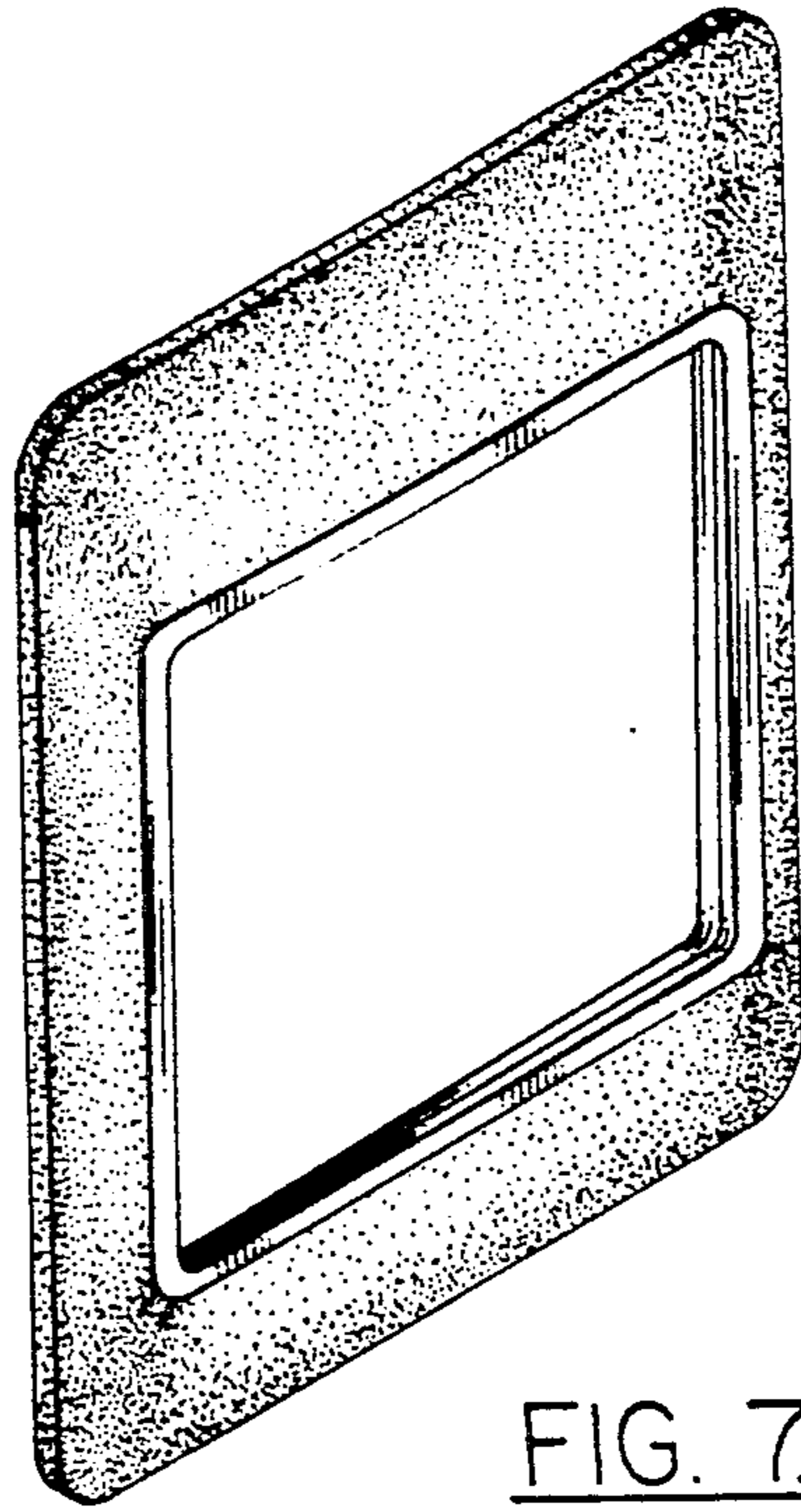


FIG. 7.

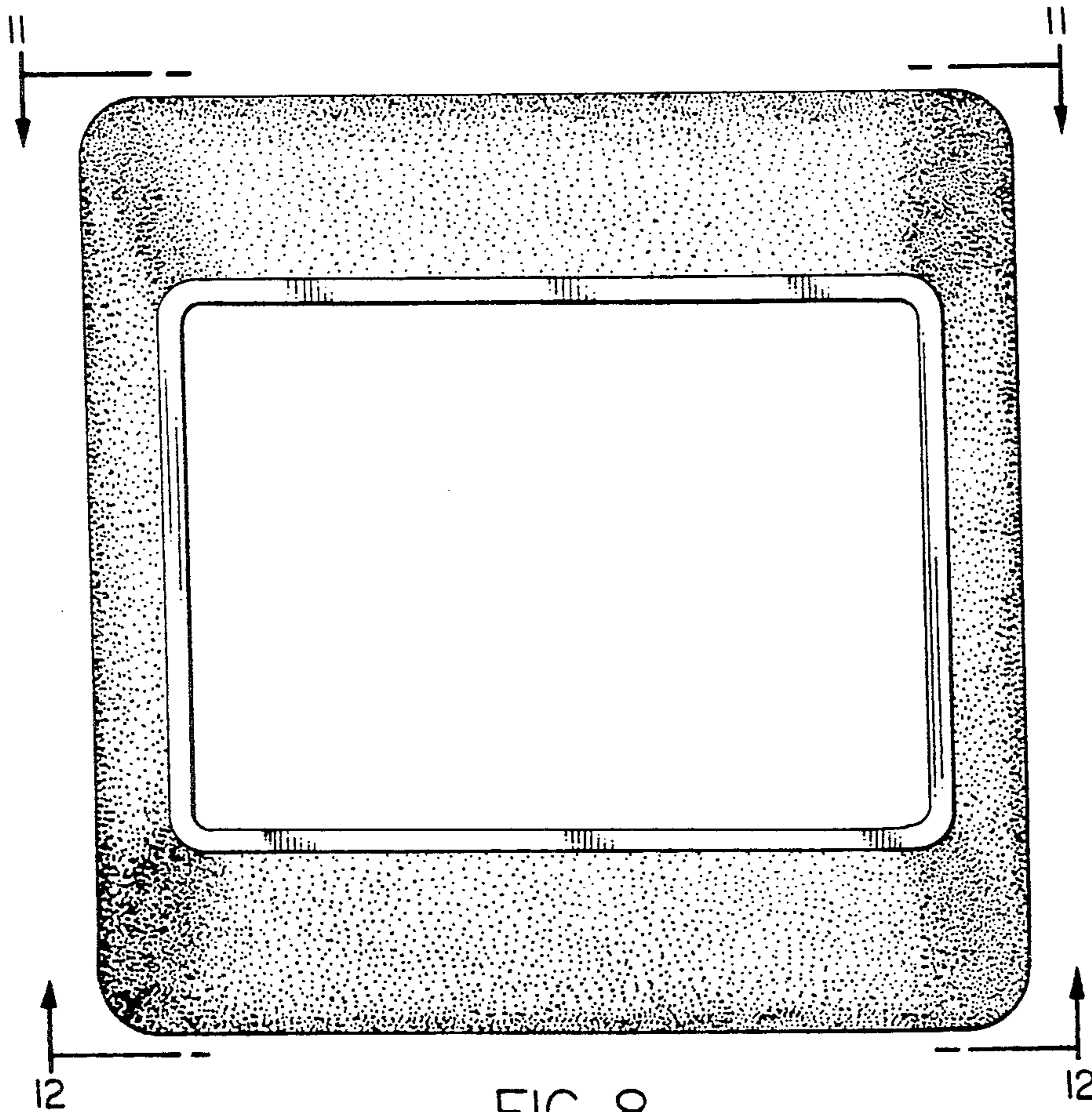


FIG. 8.



FIG. 9.



FIG. 11.



FIG. 12.

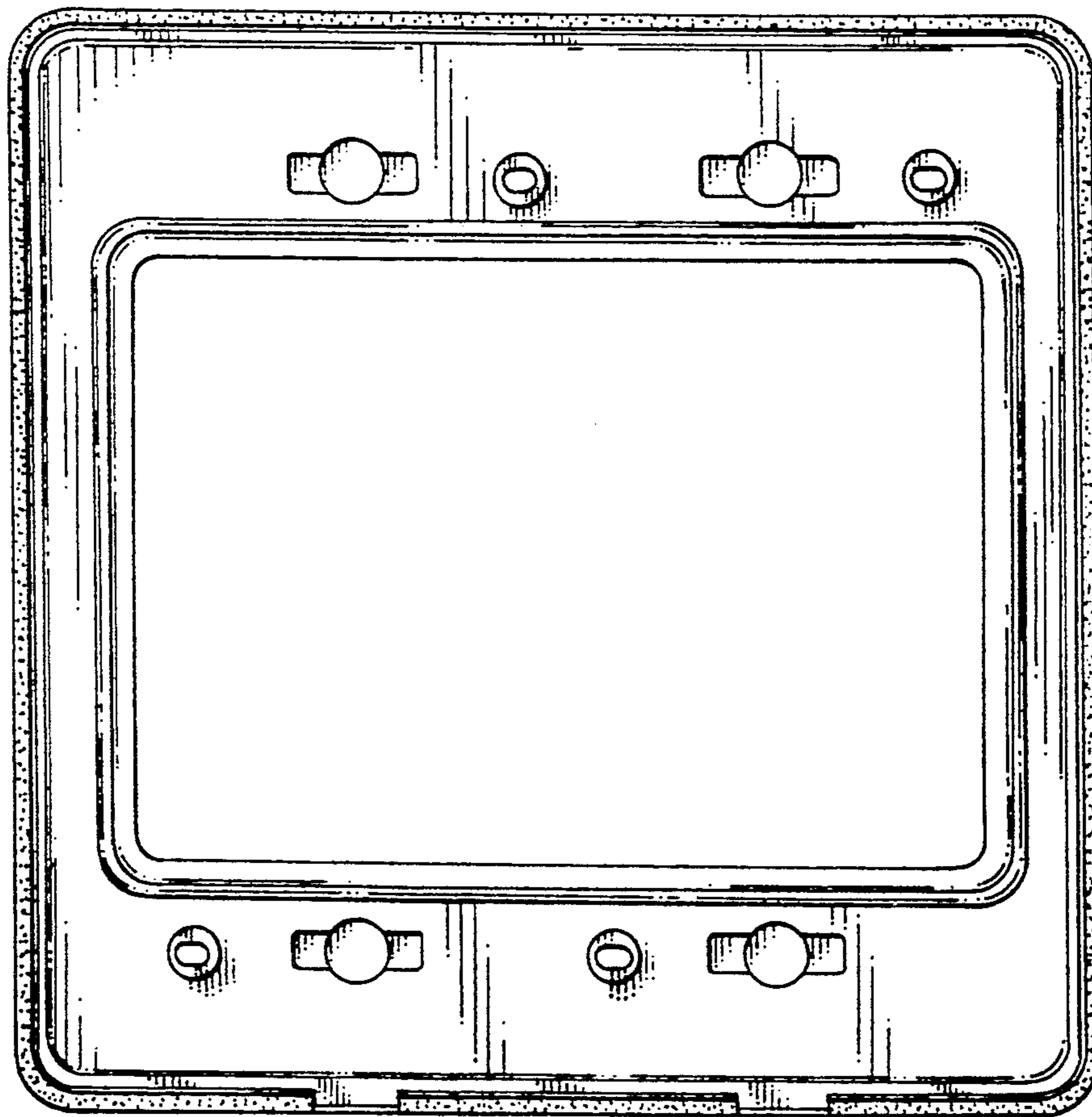


FIG. 10.