



US00D327205S

United States Patent [19]

[11] Patent Number: Des. 327,205

Jones

[45] Date of Patent: ** Jun. 23, 1992

[54] HANDLE FOR PIPE COUPLING AND DECOUPLING TOOL

[76] Inventor: Roy M. Jones, 4401 71st Pl., Urbandale, Iowa 50322

[**] Term: 14 Years

[21] Appl. No.: 525,622

[22] Filed: May 21, 1990

[52] U.S. Cl. D8/14; D8/88; D8/107

[58] Field of Search D8/14, 88, 107; D15/142; 29/237, 267; 254/29; D7/395

[56] **References Cited**

U.S. PATENT DOCUMENTS

D. 279,859	7/1985	Faust	D8/14
D. 309,854	8/1990	Smith	D8/88
870,931	11/1907	Claiborne	254/29 R
3,181,234	5/1965	Gill	29/237
3,665,579	5/1972	Jaeger et al.	29/237
3,787,951	1/1974	Morphis	29/237
4,493,139	1/1985	McClure	29/237
4,501,055	2/1985	George	29/237
4,598,452	7/1986	Iseki	29/237
4,893,393	1/1990	Marshall	29/237

Primary Examiner—Bernard Ansher
Assistant Examiner—Philip Hyder
Attorney, Agent, or Firm—Morton S. Adler

[57] **CLAIM**

The ornamental design for a handle for pipe coupling and decoupling tool, as shown and described.

DESCRIPTION

FIG. 1 is a right front perspective view of a handle for pipe coupling and decoupling tool showing my new design;

FIG. 2 is a rear elevational view thereof;

FIG. 3 is a left side elevational view thereof;

FIG. 4 is a top plan view thereof;

FIG. 5 is a bottom plan view thereof;

FIG. 6 is a perspective view thereof, shown in a reduced scale;

FIG. 7 is a perspective view of a second modified embodiment thereof;

FIG. 8 is a front elevational view of FIG. 7, shown separately for clarity of illustration; and,

FIG. 9 is a rear perspective view of FIG. 7, shown in a reduced scale.

The broken line portion of FIGS. 6 and 9 are for illustrative purposes only and form no part of the claimed design.

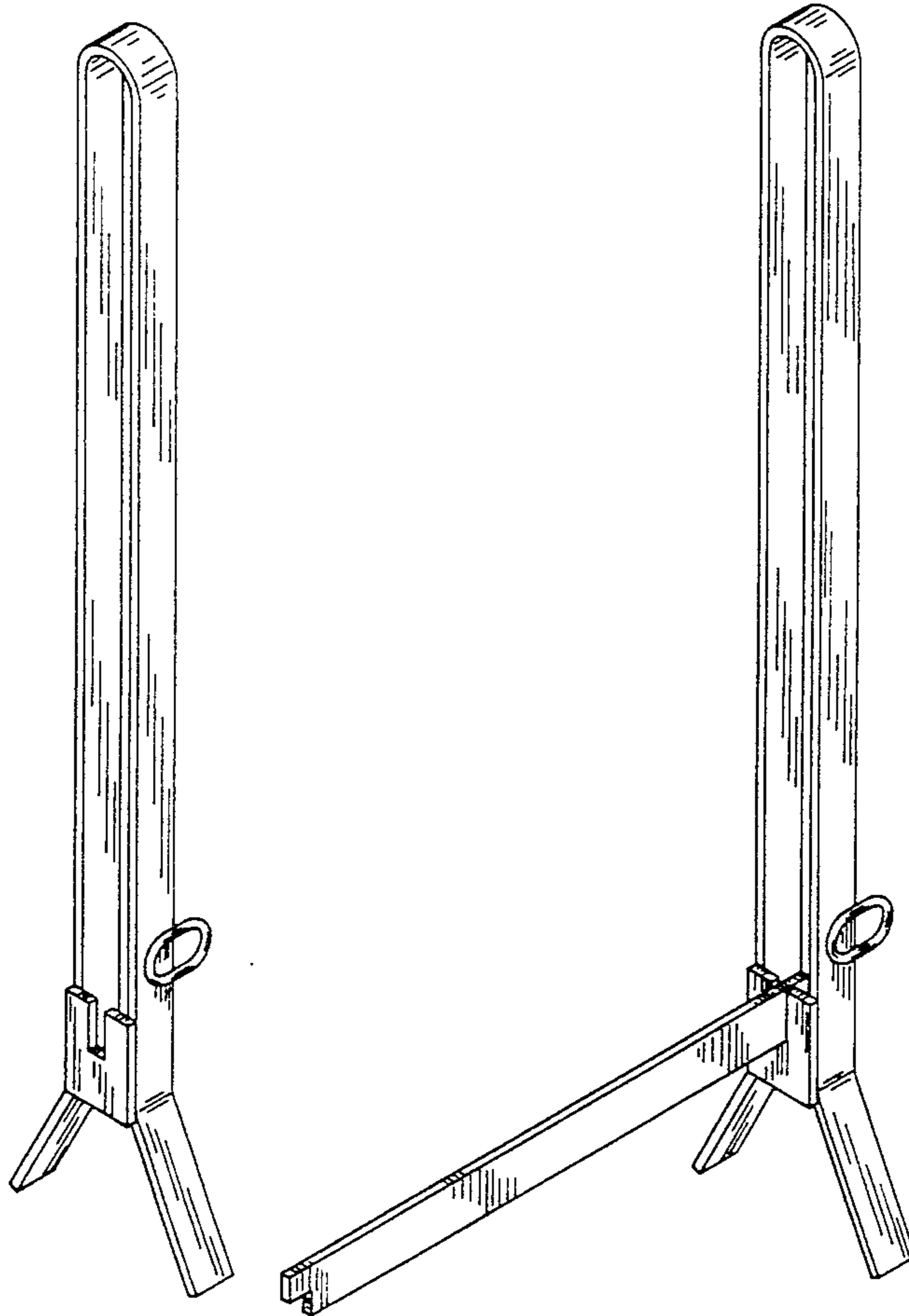


FIG. 1

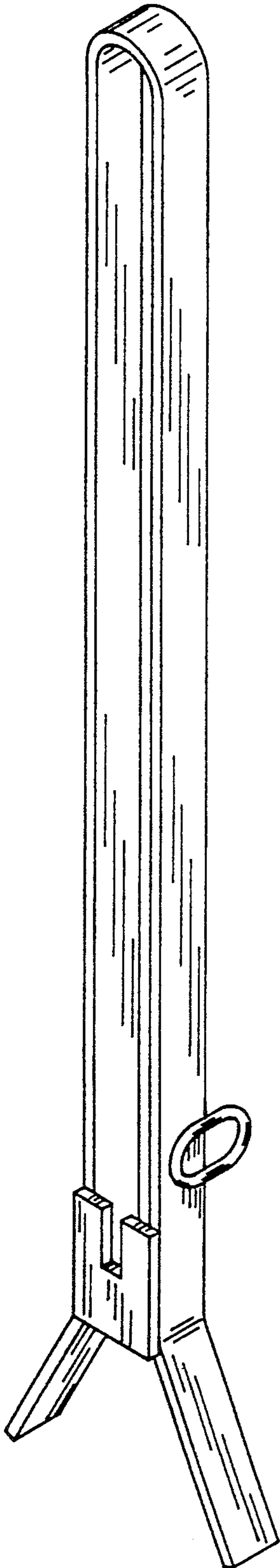


FIG. 2

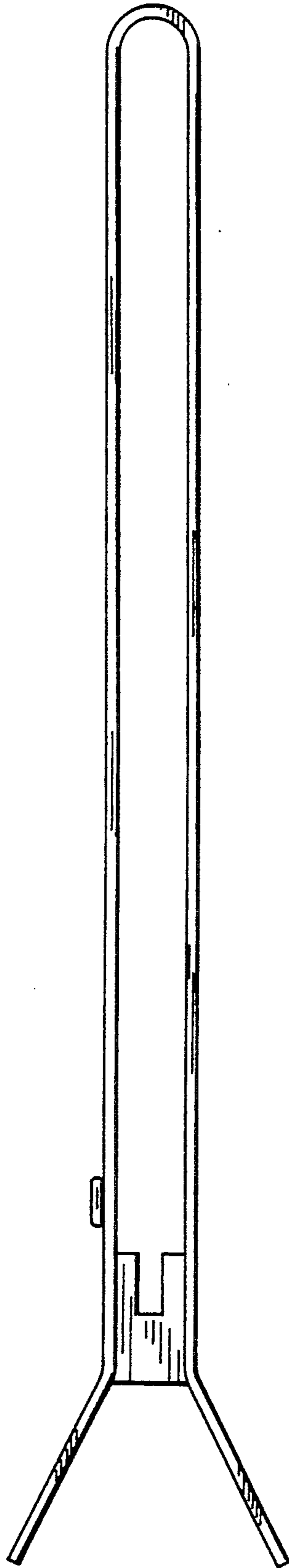


FIG. 3

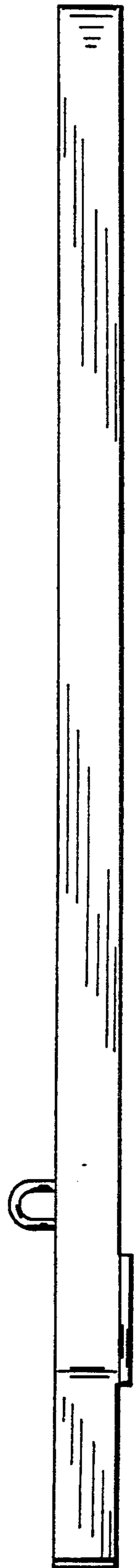


FIG. 4

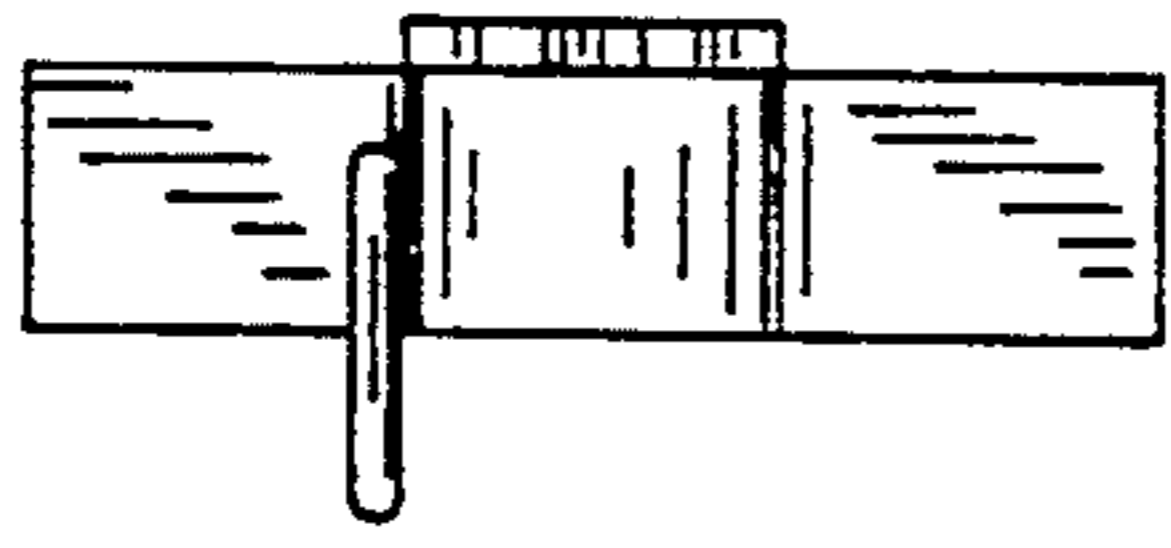


FIG. 6

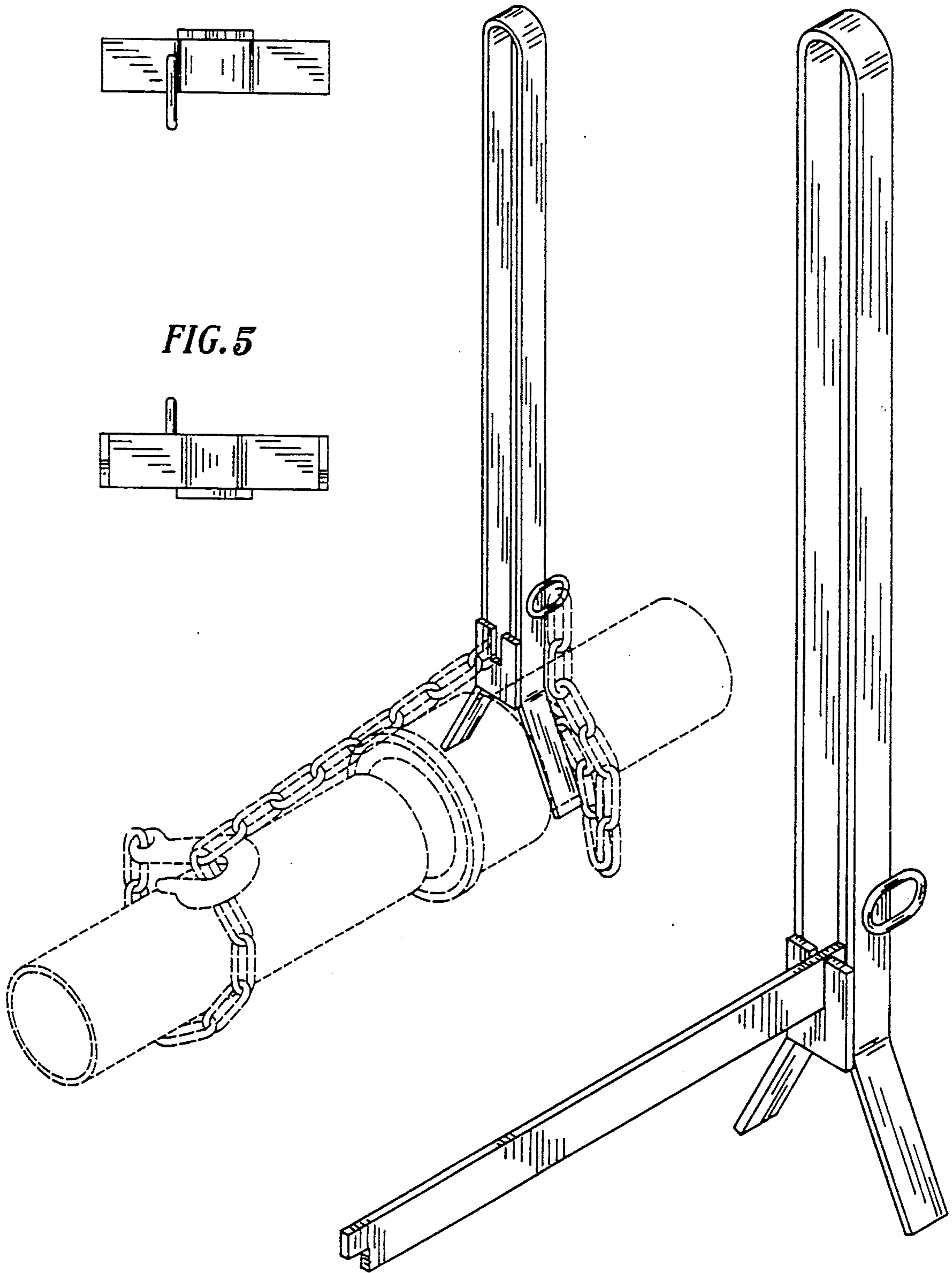


FIG. 7

FIG. 5

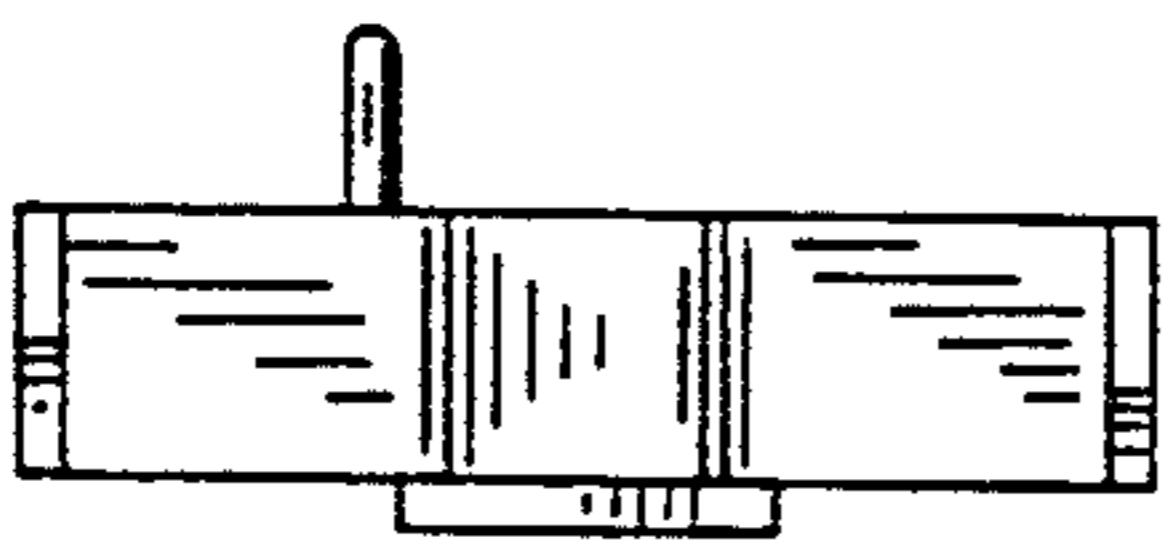


FIG. 8



FIG. 9

