



US00D327203S

# United States Patent [19]

[11] Patent Number: **Des. 327,203**

**Kahl**

[45] Date of Patent: **\*\* Jun. 23, 1992**

[54] LID FOR ICE CHEST

[75] Inventor: **W. Henry Kahl, Wooster, Ohio**

[73] Assignee: **Rubbermaid Incorporated, Wooster, Ohio**

[\*\*] Term: **14 Years**

[21] Appl. No.: **543,057**

[22] Filed: **Jun. 25, 1990**

[52] U.S. Cl. .... **D7/605**

[58] Field of Search ..... **D7/605-608;**  
**62/457.1, 457.2, 457.7; 206/541, 545; 220/412**

[56] **References Cited**

**U.S. PATENT DOCUMENTS**

- D. 197,814 3/1964 Pikeiz ..... D7/605
- D. 252,605 8/1979 Corini ..... D7/605

**OTHER PUBLICATIONS**

Page 24, The Coleman Company, 250 N. St. Francis, Wichita, Kansas 67201, Publication Date 1990, Cooler. Catalog Page, The Coleman Company, 250 N. St. Fran-

cis, Wichita, Kans. 67201, Publication Date 1990, Cooler.

Pages 6 and 8, Rubbermaid Incorporated, Specialty Products Division, 625 N. Honeytown Road, Smithville, Ohio 44677, Publication Date 1989, Coolers.

*Primary Examiner*—Terry A. Pfeffer

*Attorney, Agent, or Firm*—Richard B. O'Planick

[57] **CLAIM**

The ornamental design for a lid for ice chest, as shown and described.

**DESCRIPTION**

FIG. 1 is a front, left side perspective view of a lid for ice chest showing my new design;

FIG. 2 is a front, left side perspective view thereof, the ice chest shown in broken lines for clarity of illustration;

FIG. 3 is a top plan view thereof;

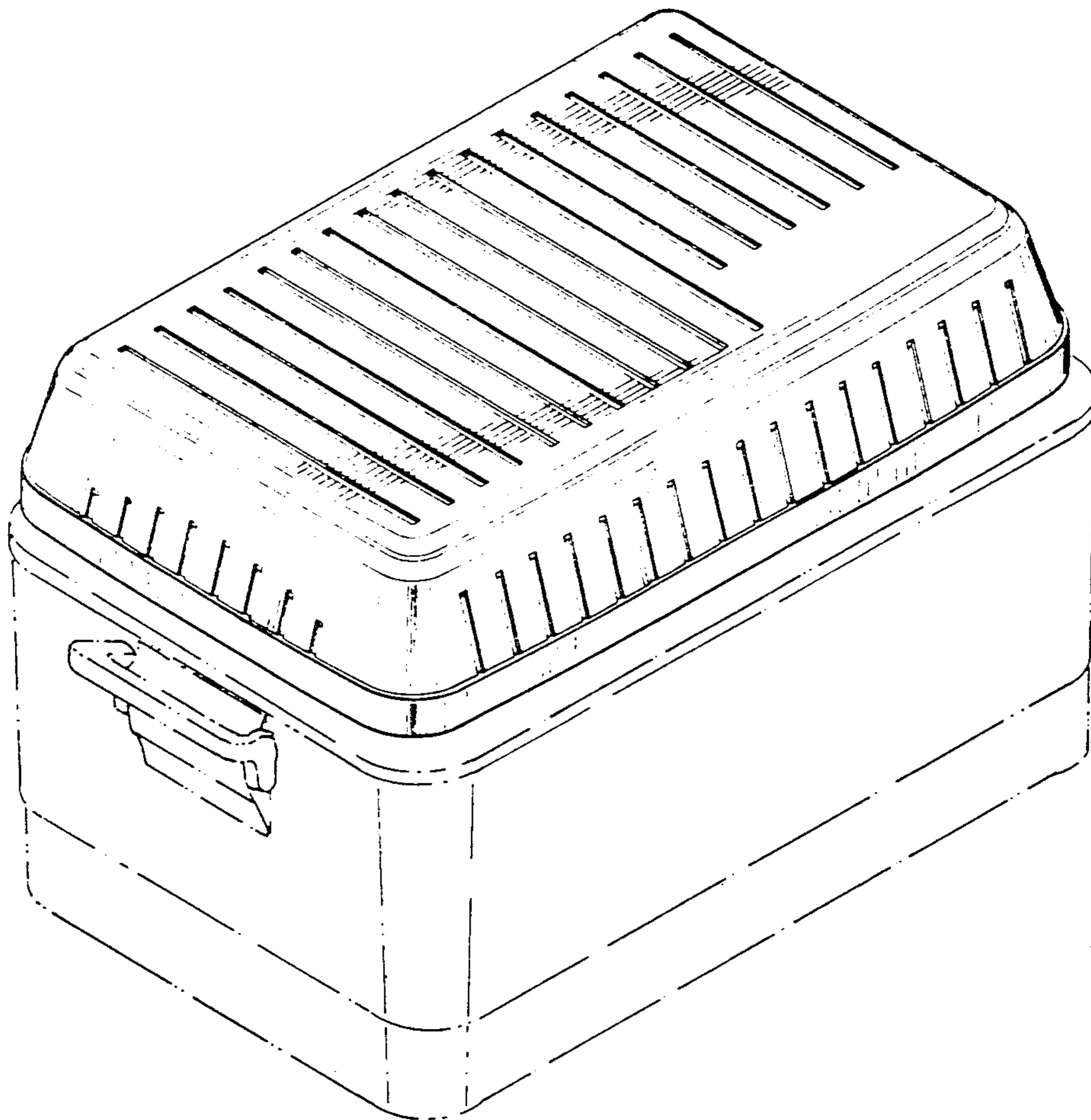
FIG. 4 is a bottom plan view thereof;

FIG. 5 is a front elevational view thereof;

FIG. 6 is a rear elevational view thereof;

FIG. 7 is a side elevational view thereof; the opposite side being a mirror image; and,

FIG. 8 is a cross-sectional view thereof taken along line 8—8 of FIG. 7.



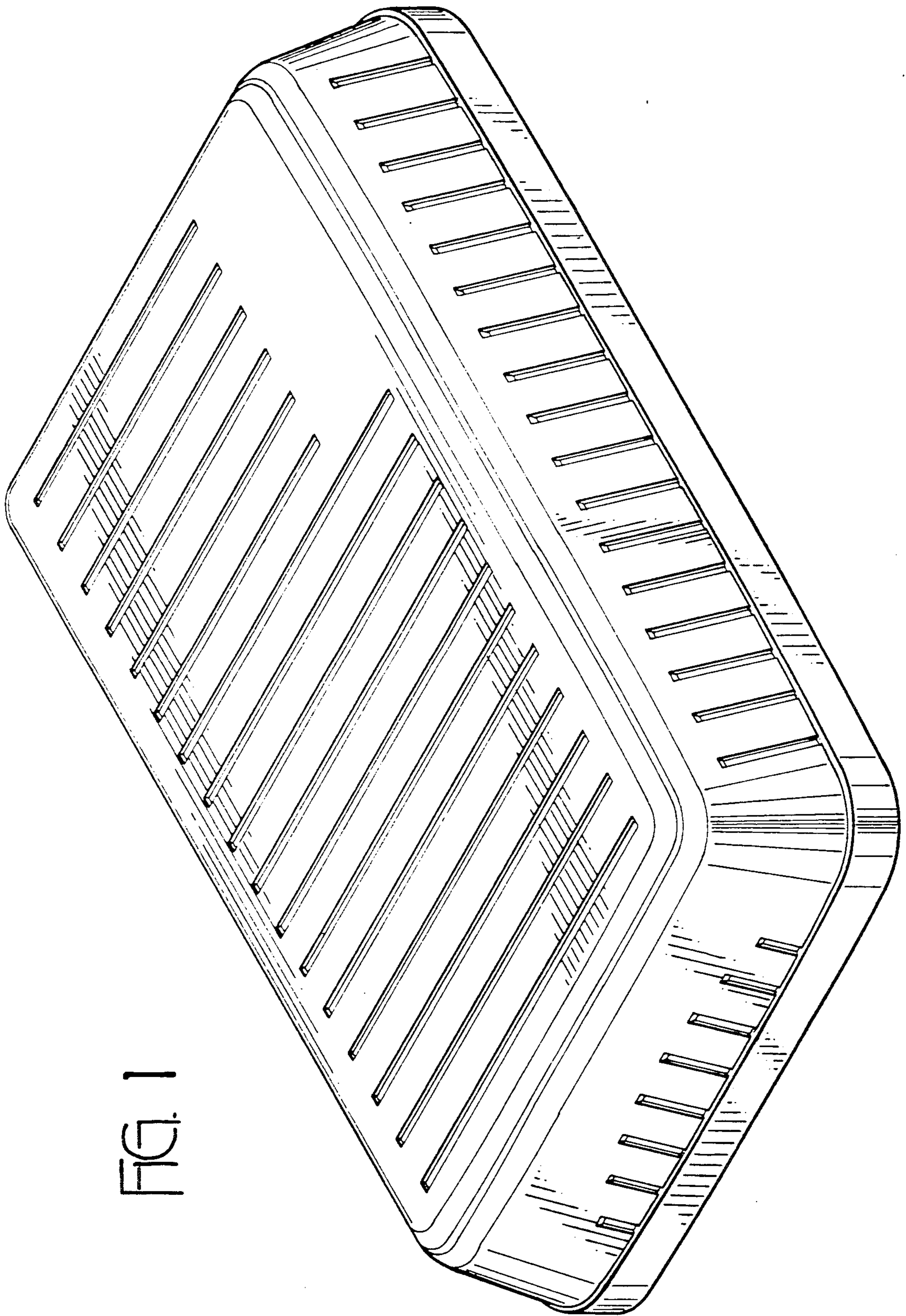


FIG. 1



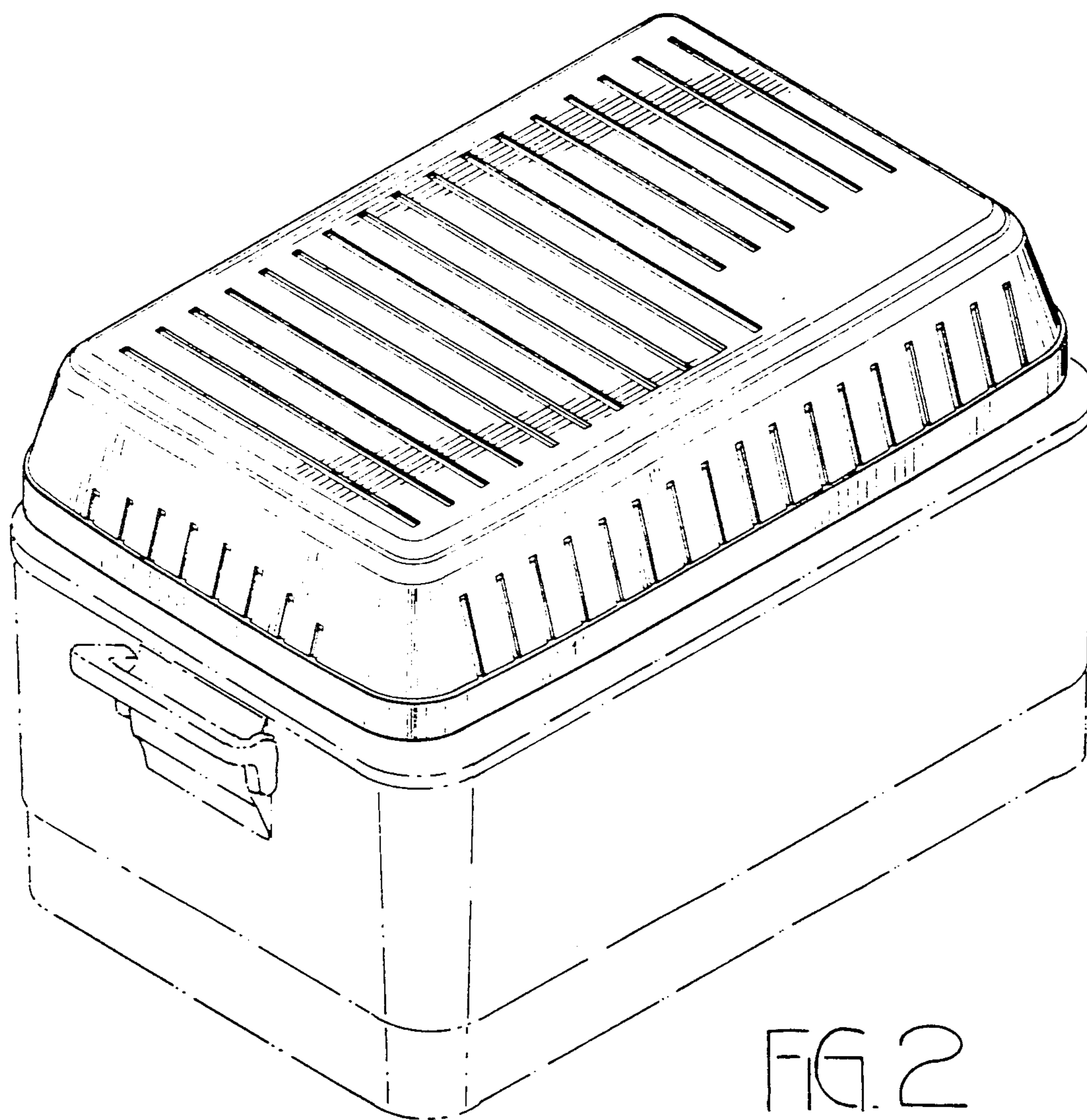


FIG. 2

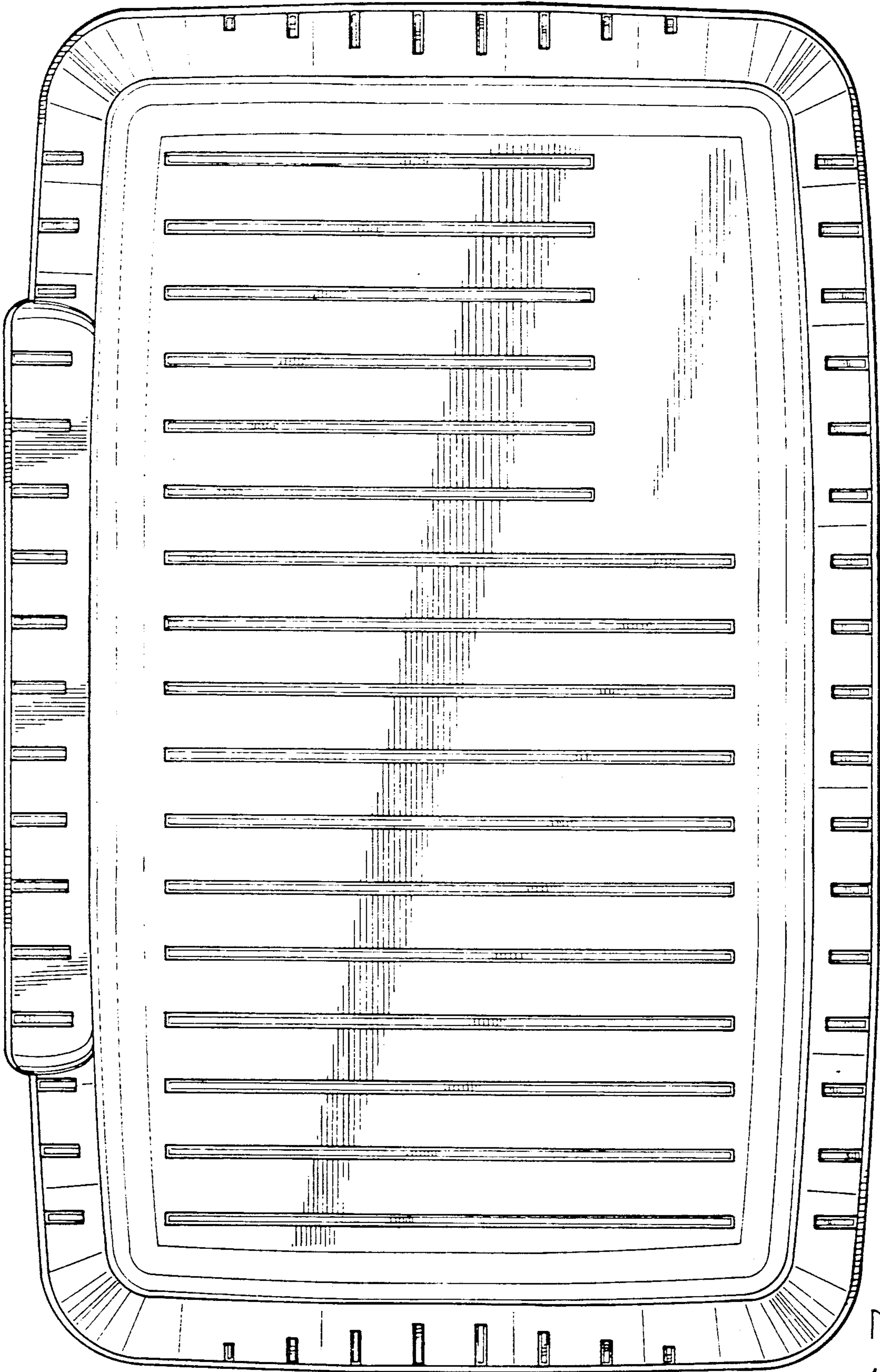


FIG. 3

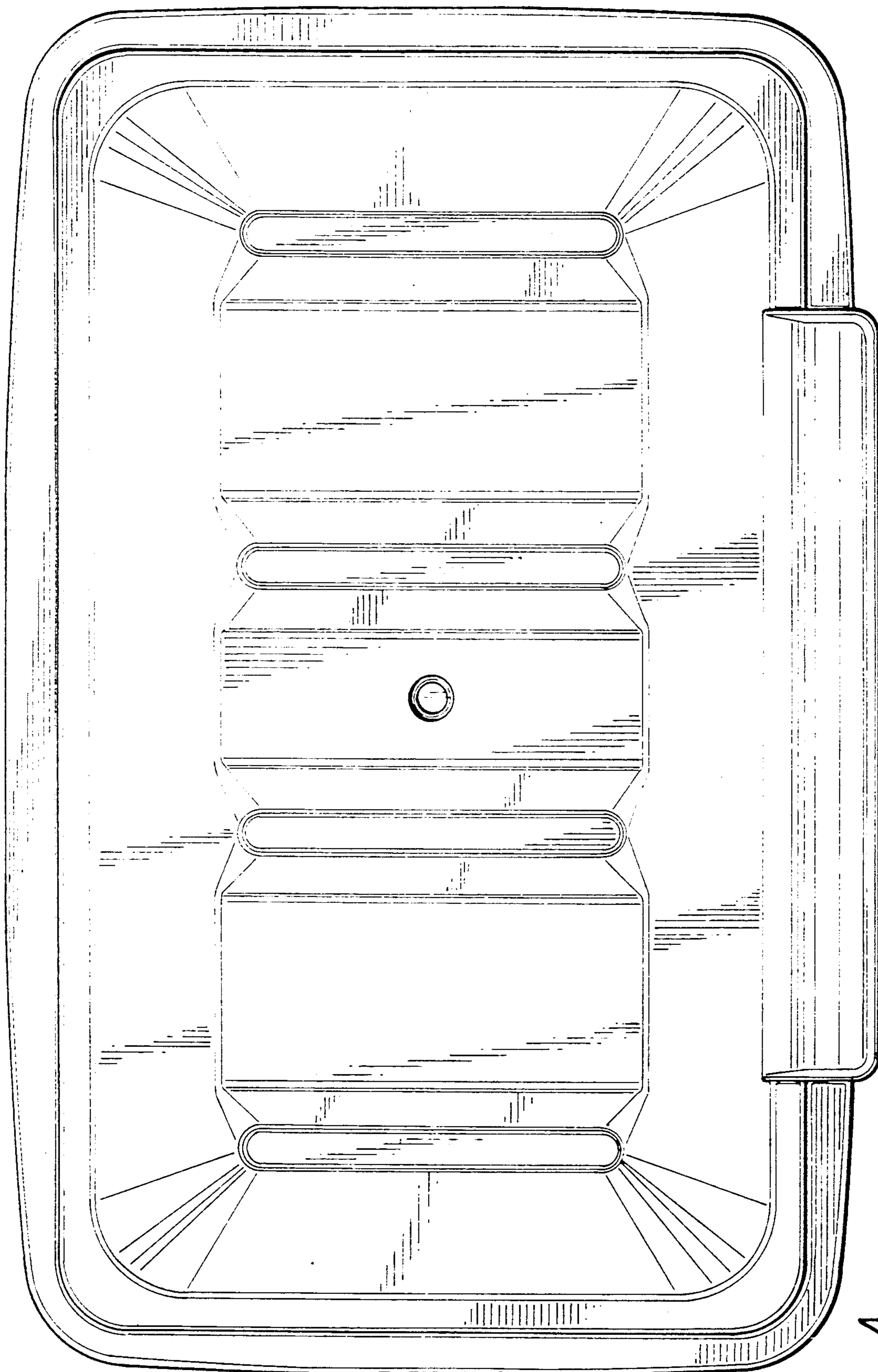


FIG. 4



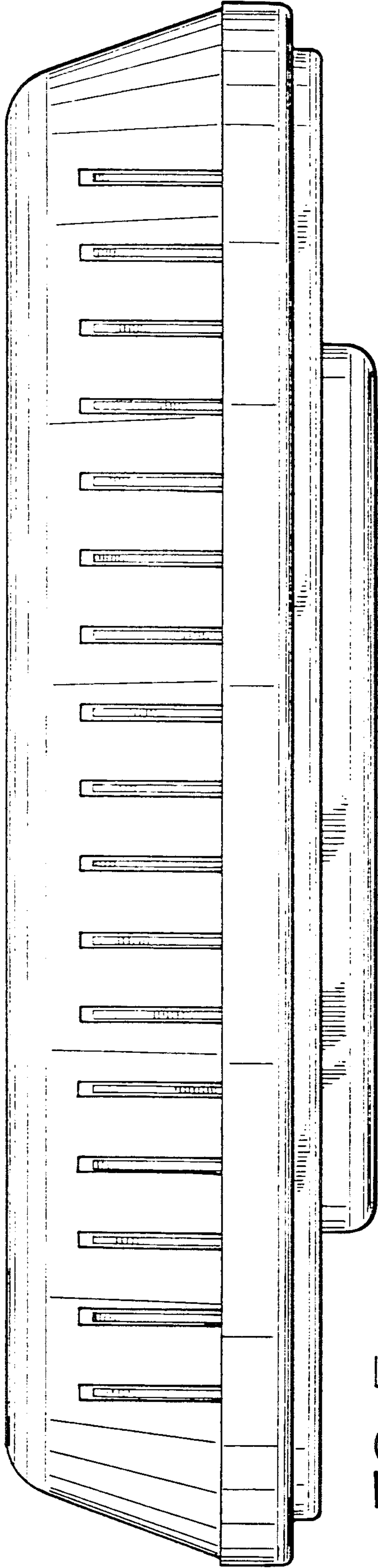


FIG. 5

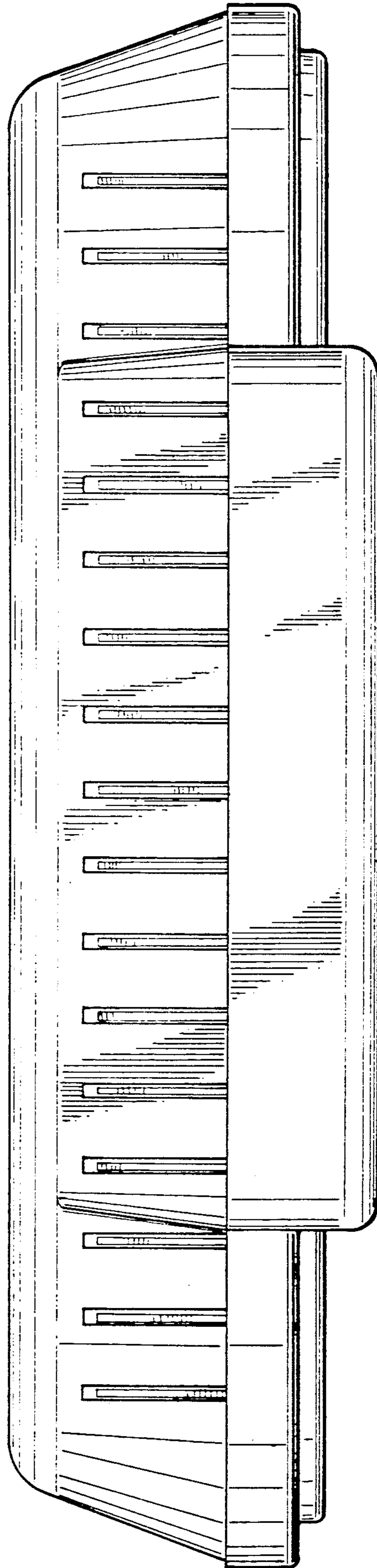


FIG. 6

