



US00D327200S

United States Patent [19]

[11] Patent Number: **Des. 327,200**

Szablak et al.

[45] Date of Patent: **** Jun. 23, 1992**

[54] **SERVING TRAY**

D. 315.463 3/1991 Spiegel D7/550 X
2,825,611 3/1958 Aynesworth D7/553 X

[75] Inventors: **Michael J. Szablak, Stephens City;
Glen E. Tomblin, Winchester, both of
Va.**

Primary Examiner—Donald P. Walsh
Assistant Examiner—Caron D. Veynar
Attorney, Agent, or Firm—Richard B. O'Planick

[73] Assignee: **Rubbermaid Commercial Products
Inc., Winchester, Va.**

[57] **CLAIM**

[**] Term: **14 Years**

The ornamental design for a serving tray, as shown and described.

[21] Appl. No.: **394,435**

DESCRIPTION

[22] Filed: **Aug. 16, 1989**

[52] U.S. Cl. **D7/550; D7/552**

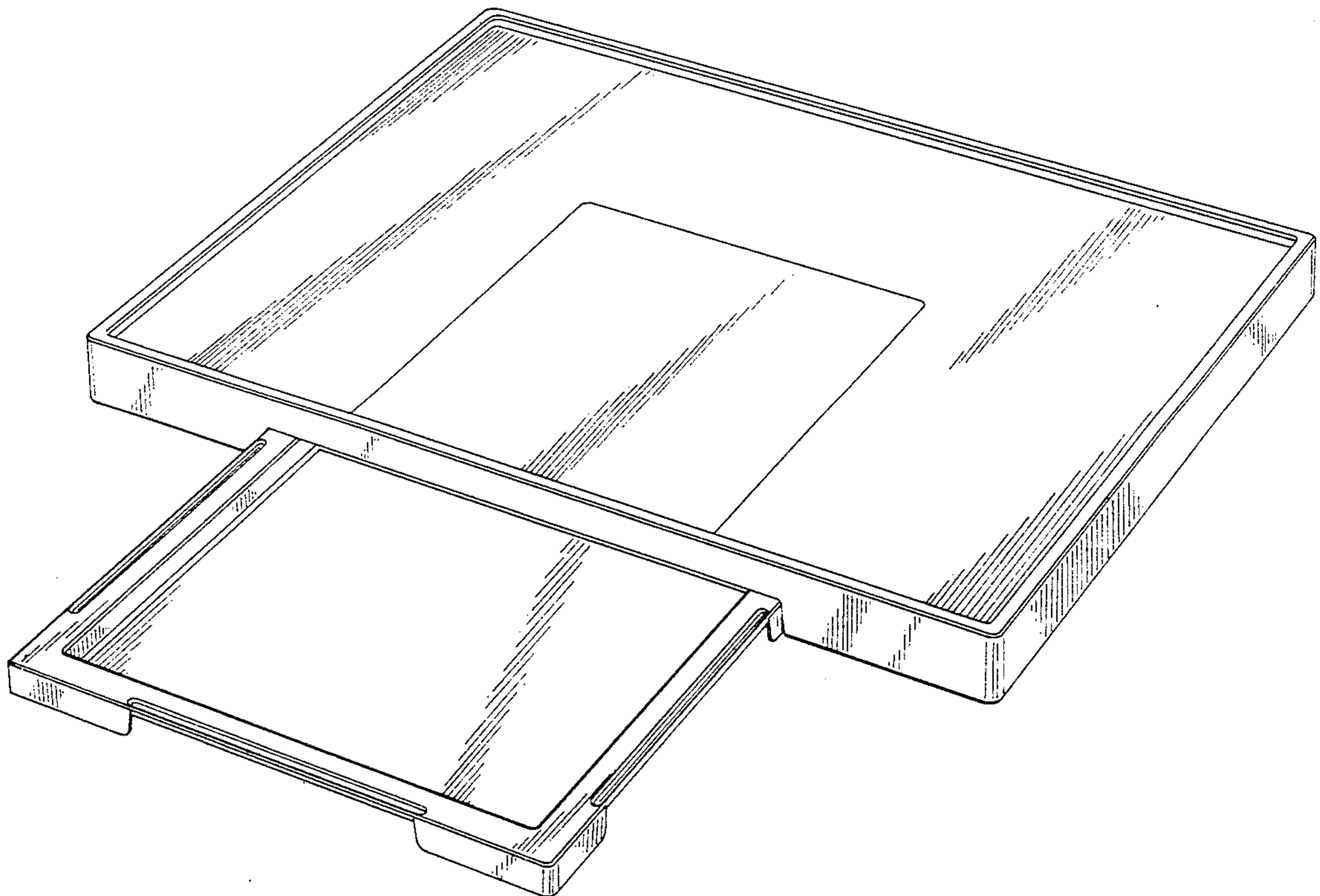
[58] Field of Search **D7/550, 552, 553, 554,
D7/616; D6/406, 432, 509-511; D19/91;
D24/227, 229, 230; 294/172**

FIG. 1 is a right, front and top perspective view of a serving tray showing our new design, with the drawer shown in the open position;
FIG. 2 is a right, front and top perspective view with the drawer shown in the closed position;
FIG. 3 is a top plan view thereof;
FIG. 4 is a bottom plan view thereof;
FIG. 5 is a front elevational view thereof;
FIG. 6 is a rear elevational view thereof;
FIG. 7 is a right side elevational view thereof, the left side elevational view being a mirror image thereof; and,
FIG. 8 is a cross-sectional view taken along line 8—8 in FIG. 4.

[56] **References Cited**

U.S. PATENT DOCUMENTS

D. 192.809 5/1962 Sundberg et al. D6/406
D. 280.960 10/1985 Dodd et al. D7/554
D. 281.555 12/1985 Levy D6/406
D. 282.335 1/1986 Dodd et al. D7/553



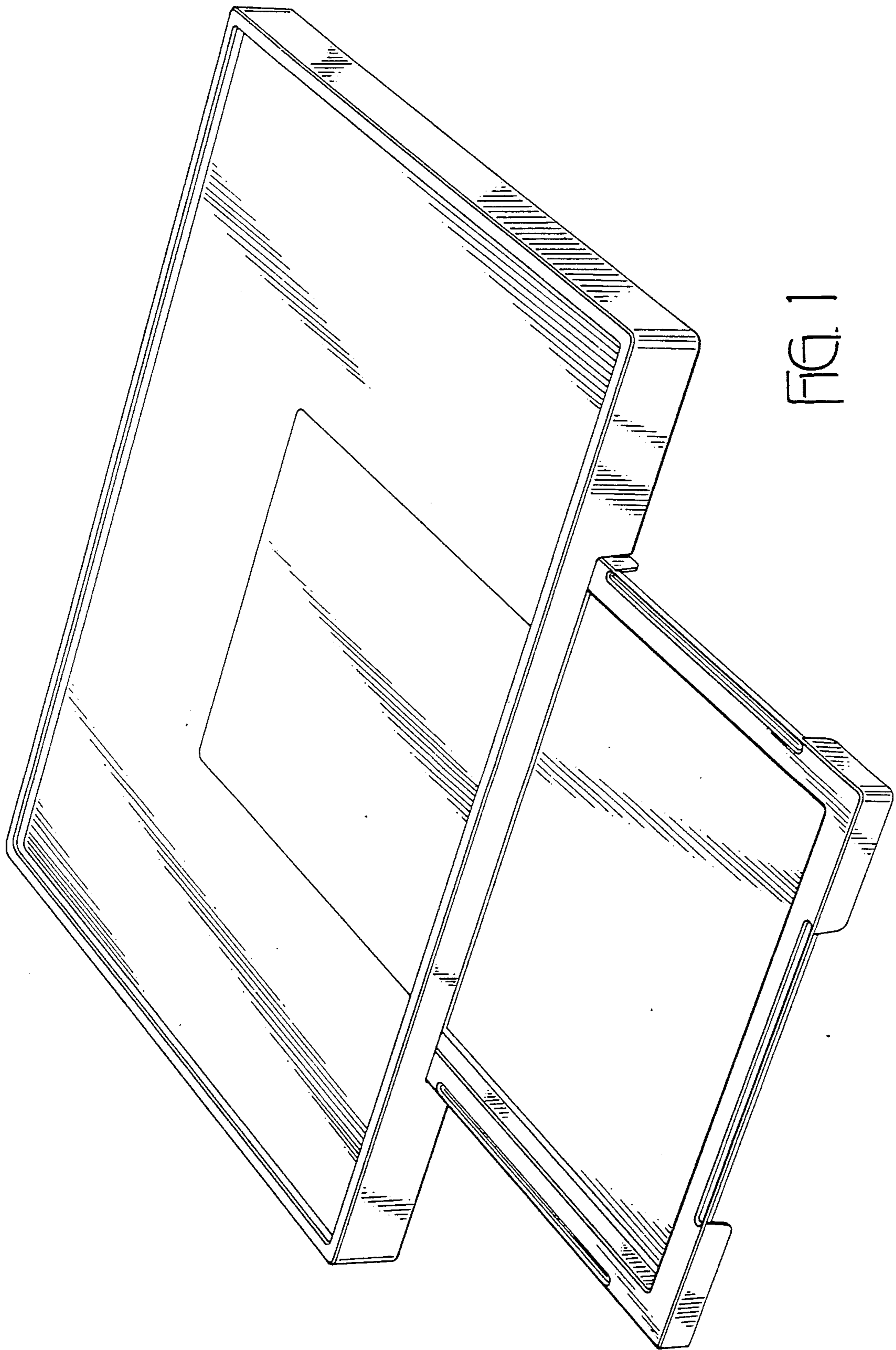


FIG. 1

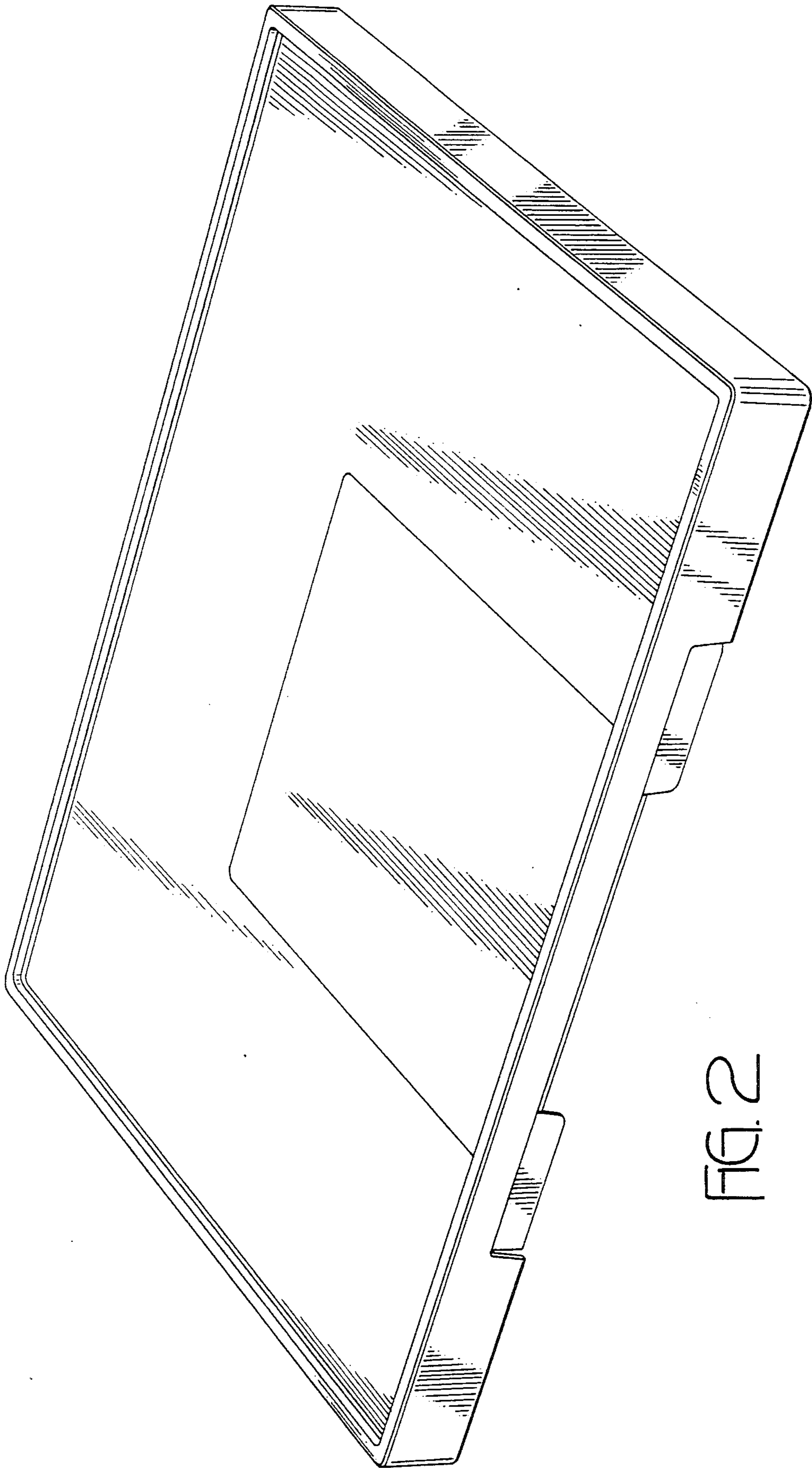
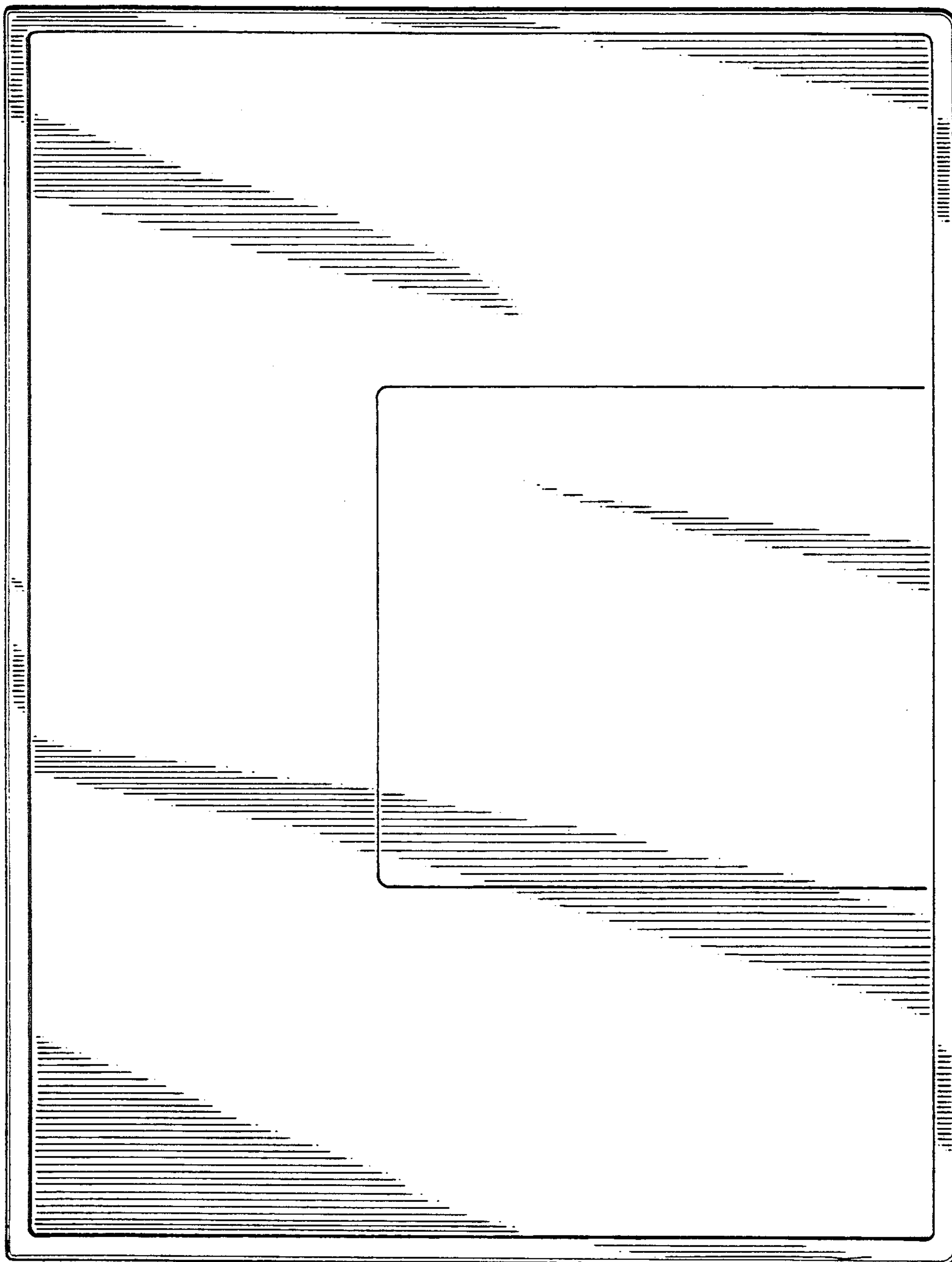


FIG. 2

FIG. 3



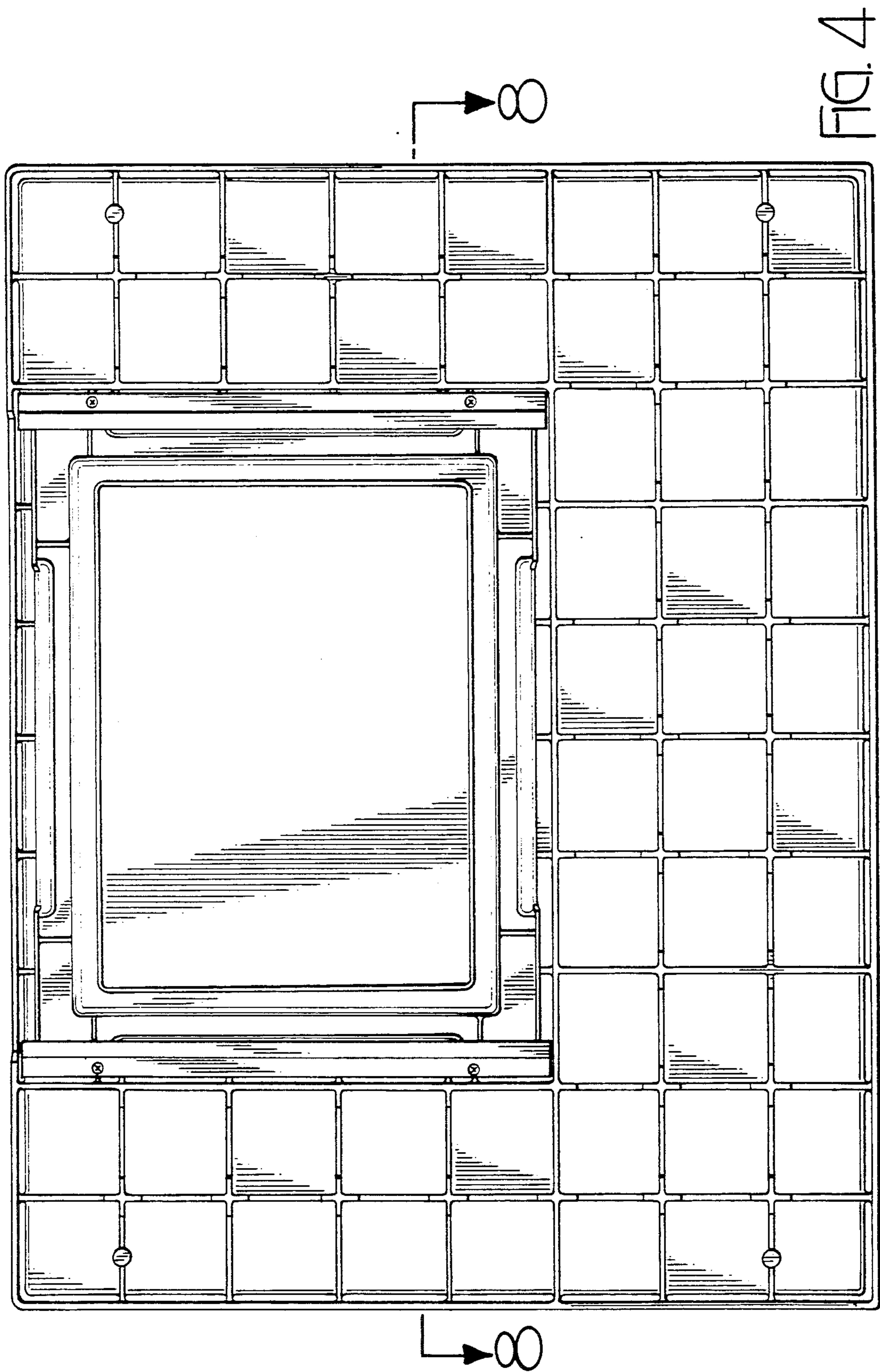


FIG. 4

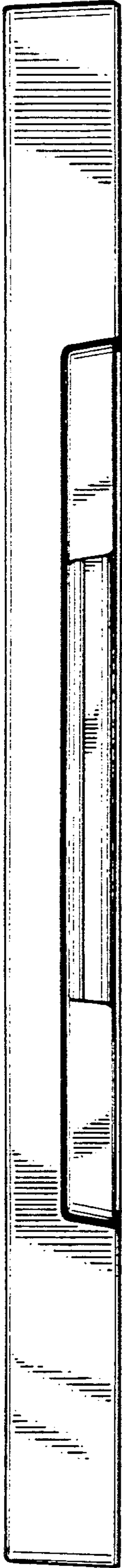


FIG. 5

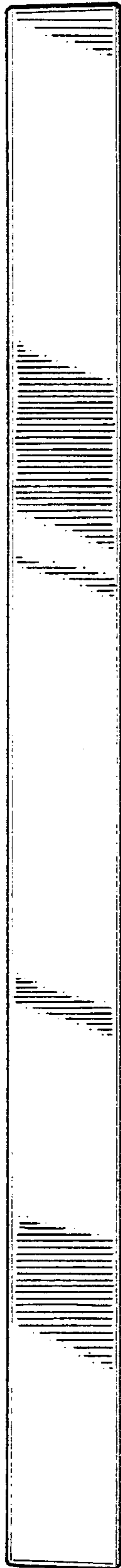


FIG. 6

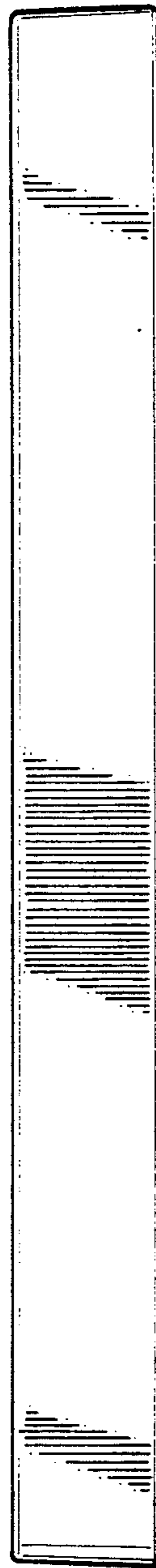


FIG. 7

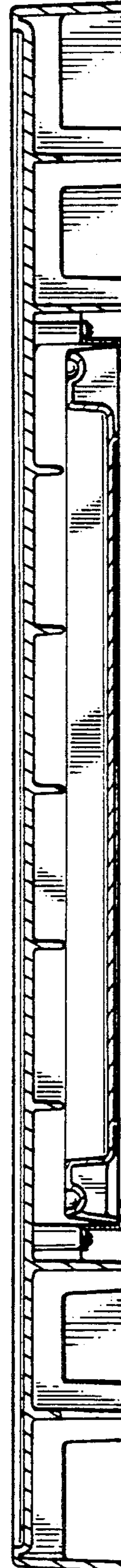


FIG. 8