



US00D327199S

United States Patent [19] Frank

[11] Patent Number: **Des. 327,199**

[45] Date of Patent: **** Jun. 23, 1992**

[54] **COMBINED VEGETABLE SLICER AND DEEP FRYER**

[75] Inventor: **Peter A. Frank, London, England**

[73] Assignee: **Gooding International Limited, Chesterton, United Kingdom**

[**] Term: **14 Years**

[21] Appl. No.: **229,929**

[22] Filed: **Aug. 8, 1988**

[30] **Foreign Application Priority Data**

Jun. 8, 1988 [GB] United Kingdom 1051399

[52] U.S. Cl. **D7/381; D7/354**

[58] Field of Search **D7/383, 384, 386, 368, D7/360, 354, 372, 373, 377, 665, 379, 376, 378, 381, 323, 339, 347, 348; 99/353, 405, 407, 409, 410**

[56] **References Cited**

U.S. PATENT DOCUMENTS

D. 200,517	3/1965	Kratz	D7/348
D. 265,715	8/1982	Osrow et al.	D7/376
D. 313,530	1/1991	Leiros	D7/360 X
2,186,345	1/1940	Reidenbach	99/353 X
3,280,723	10/1966	Hughes et al.	99/353

Primary Examiner—Donald P. Walsh
Assistant Examiner—Caron D. Veynar
Attorney, Agent, or Firm—Ratner & Prestia

[57] **CLAIM**

The ornamental design for a combined vegetable slicer and deep fryer, as shown and described.

DESCRIPTION

FIG. 1 is a front and top perspective view of a combined vegetable slicer and deep fryer showing my new design;

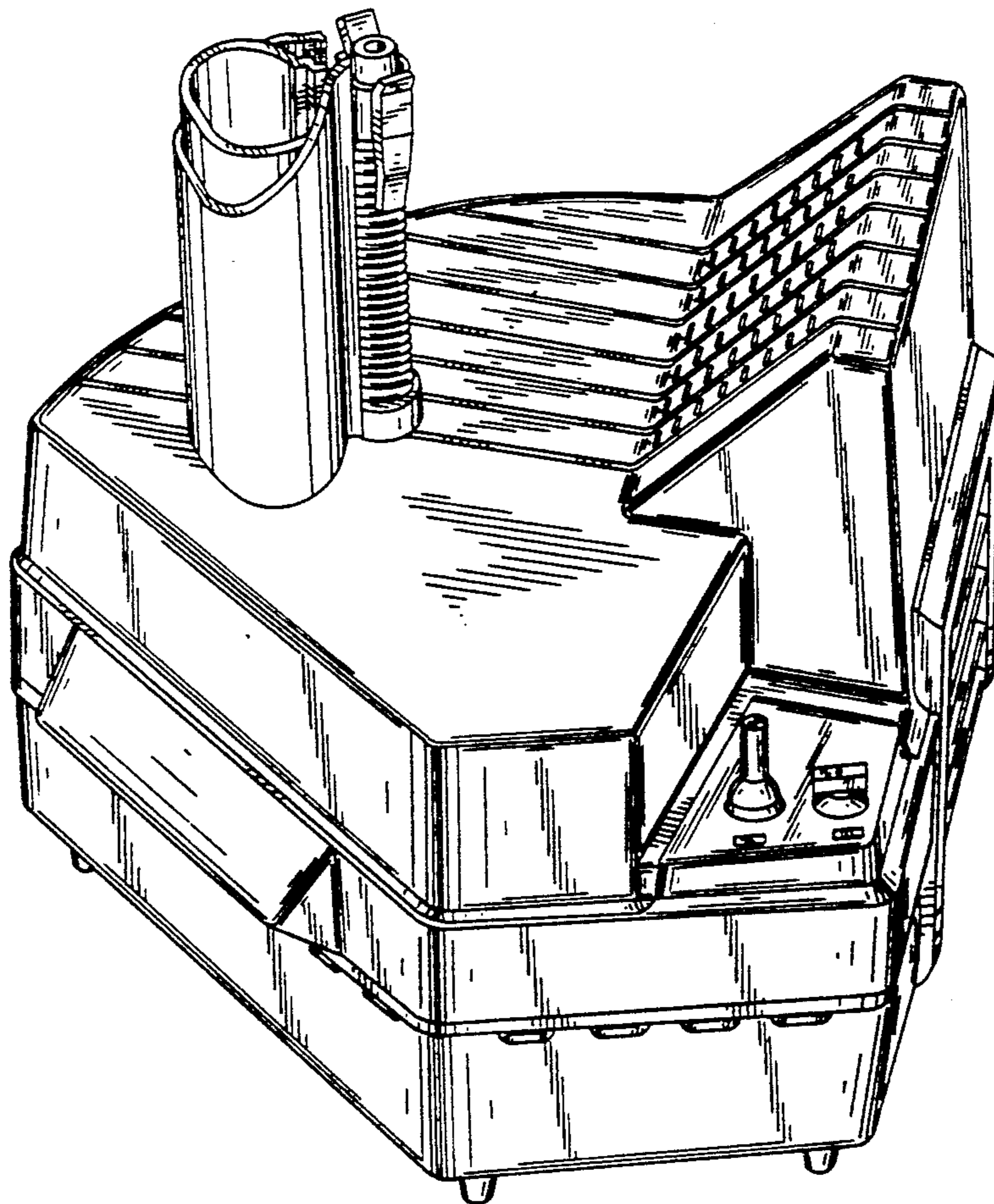
FIG. 2 is a left side perspective view on an enlarged scale;

FIG. 3 is a left side elevational view;

FIG. 4 is a right side elevational view;

FIG. 5 is a front elevational view; and,

FIG. 6 is a top plan view.



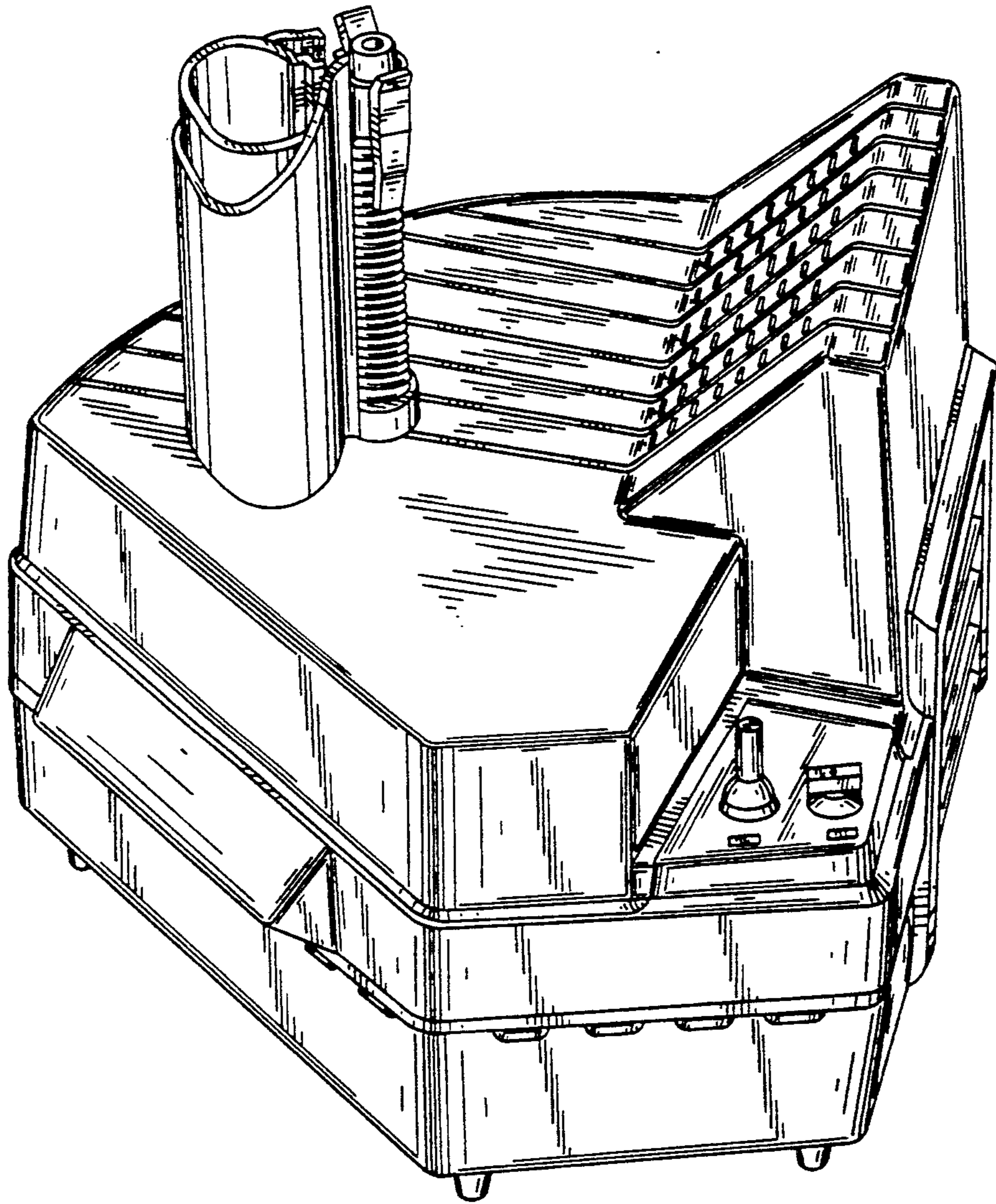


FIG. 1

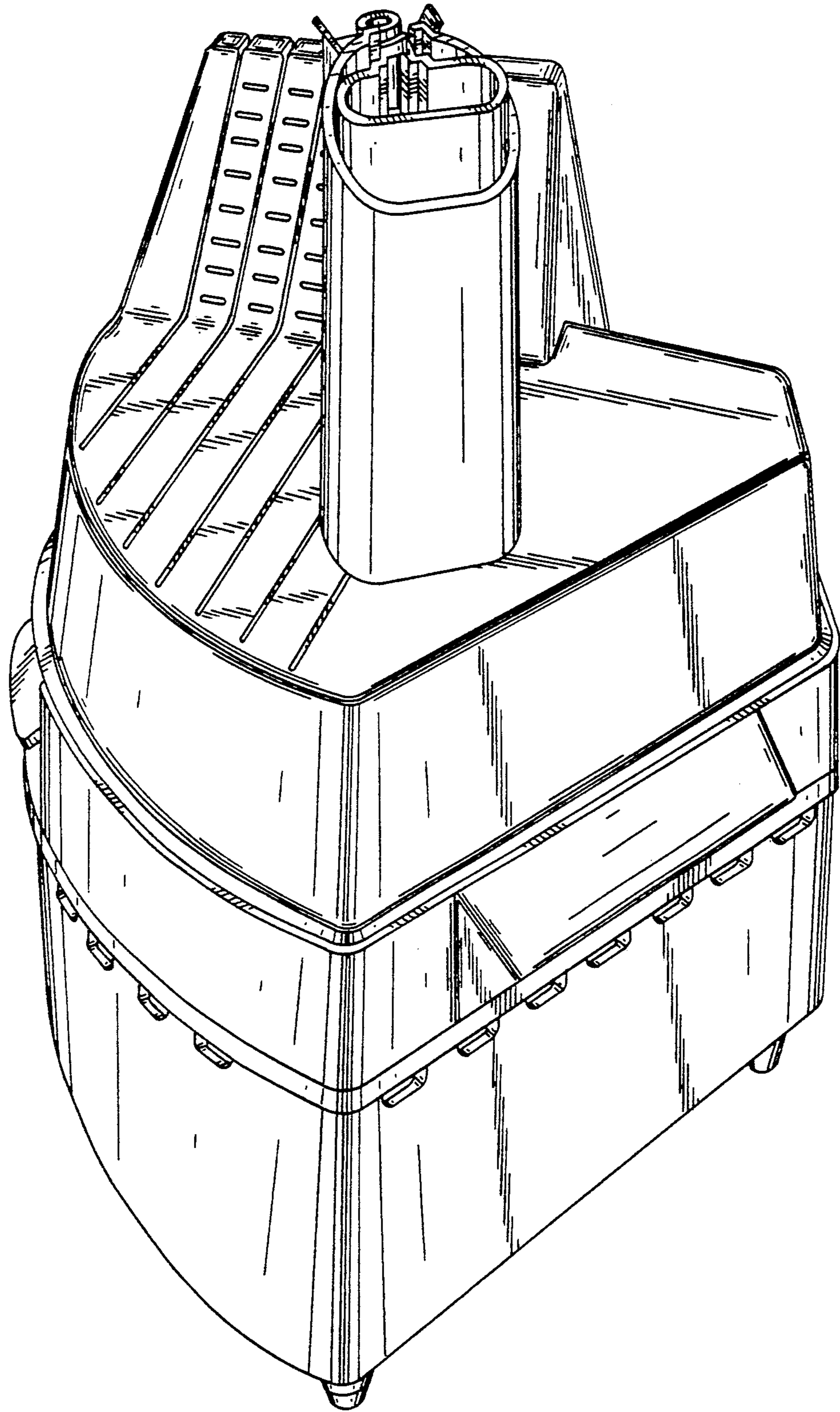


FIG. 2

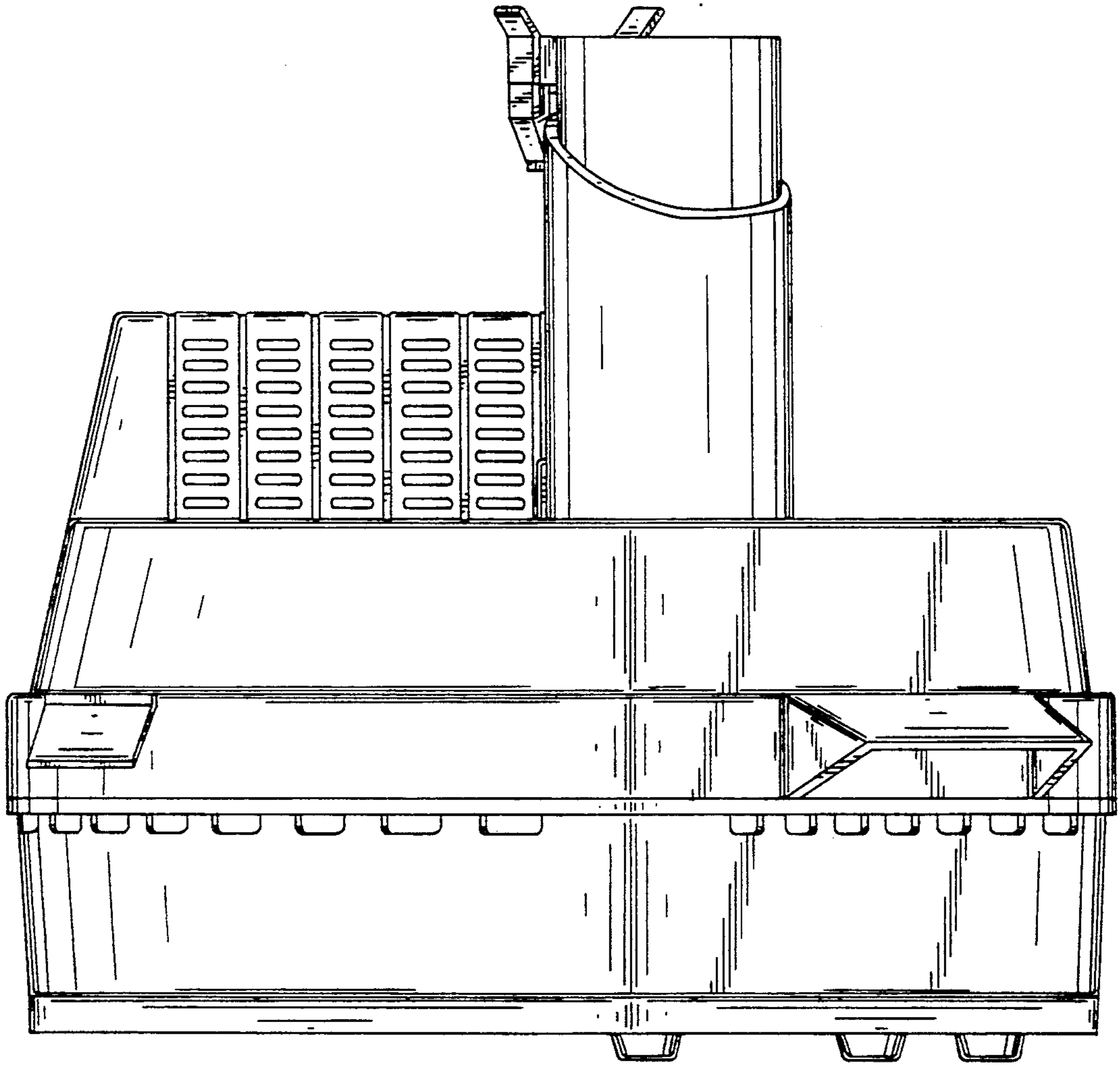


FIG.3

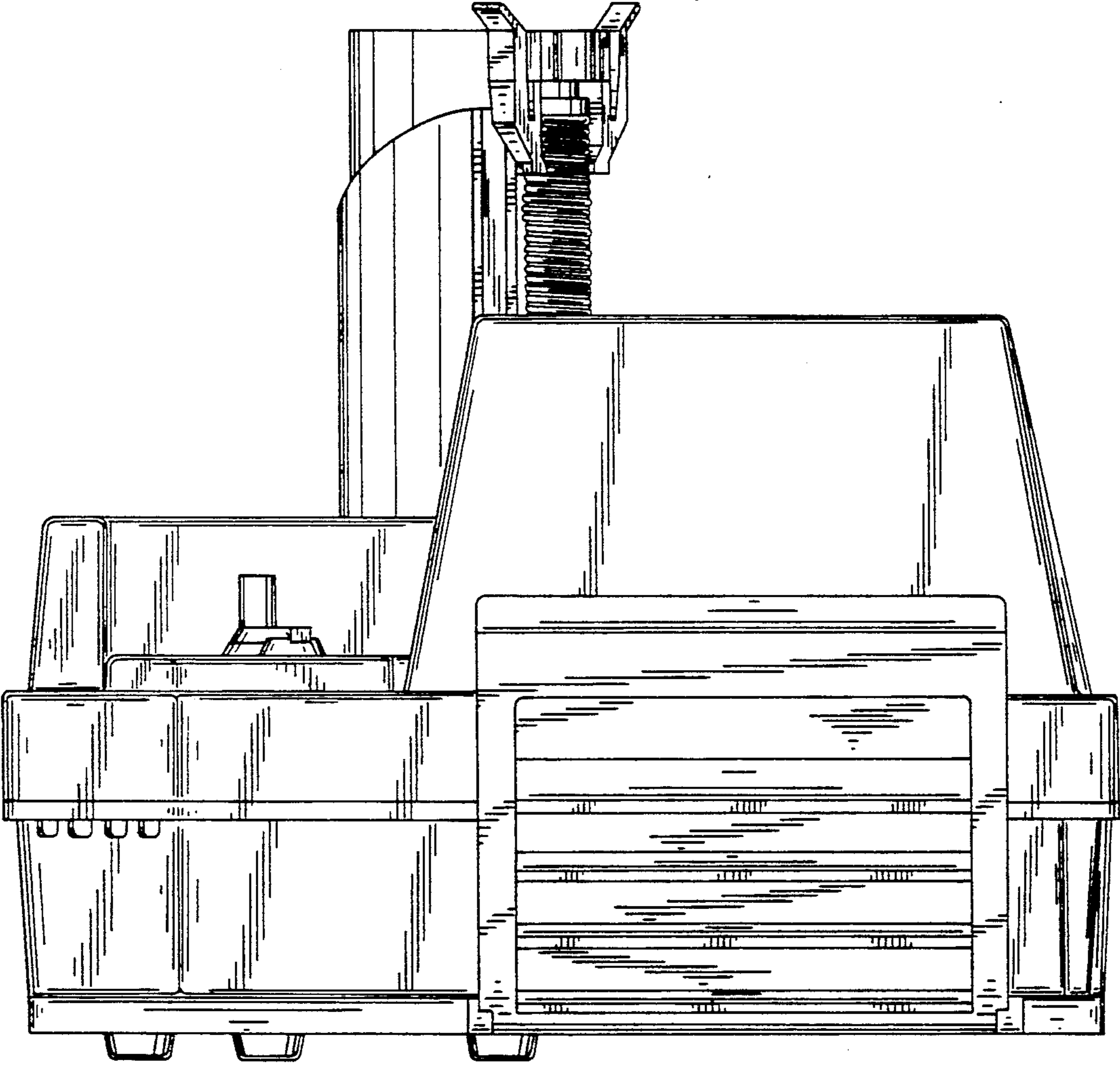


FIG.4

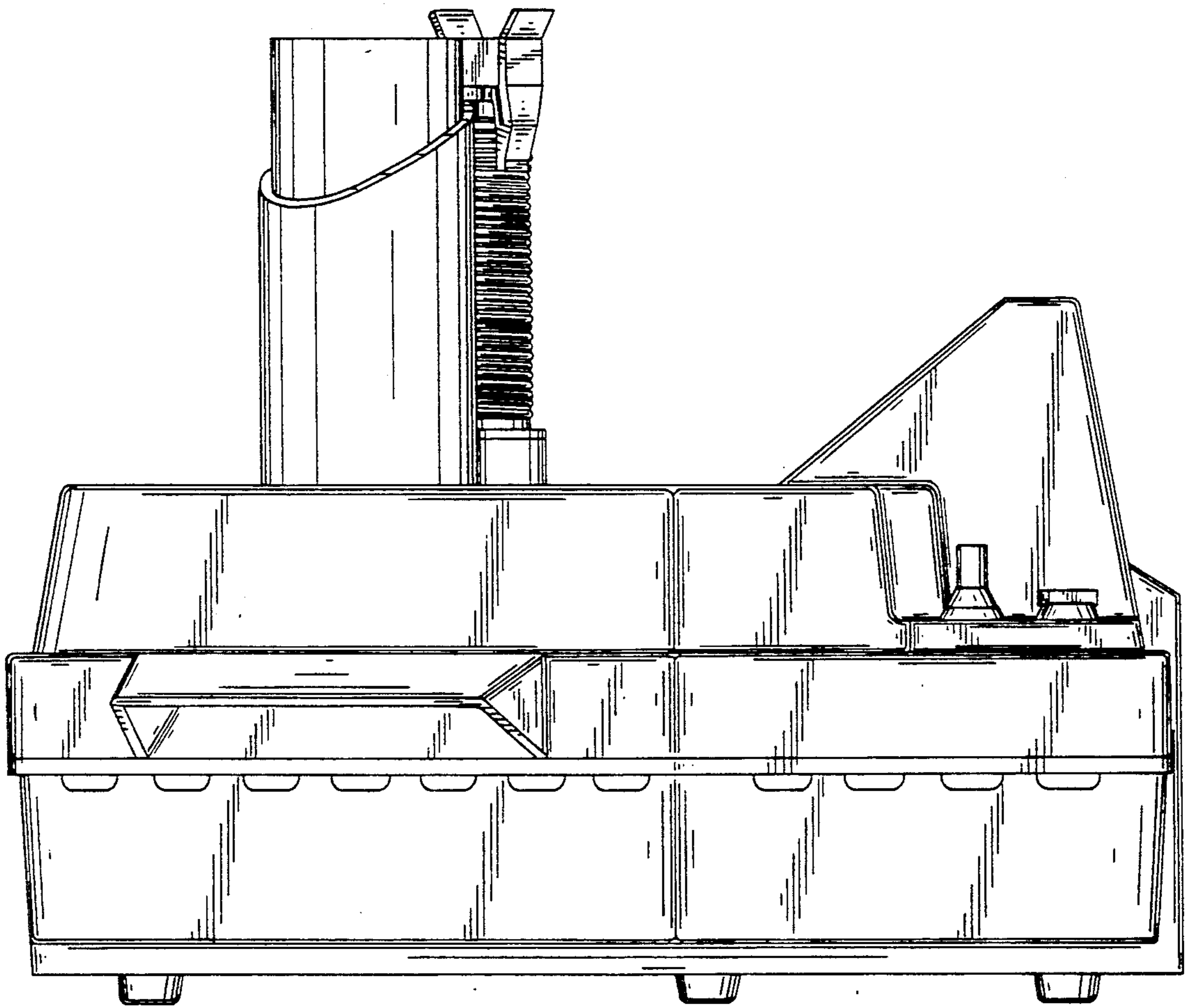


FIG.5

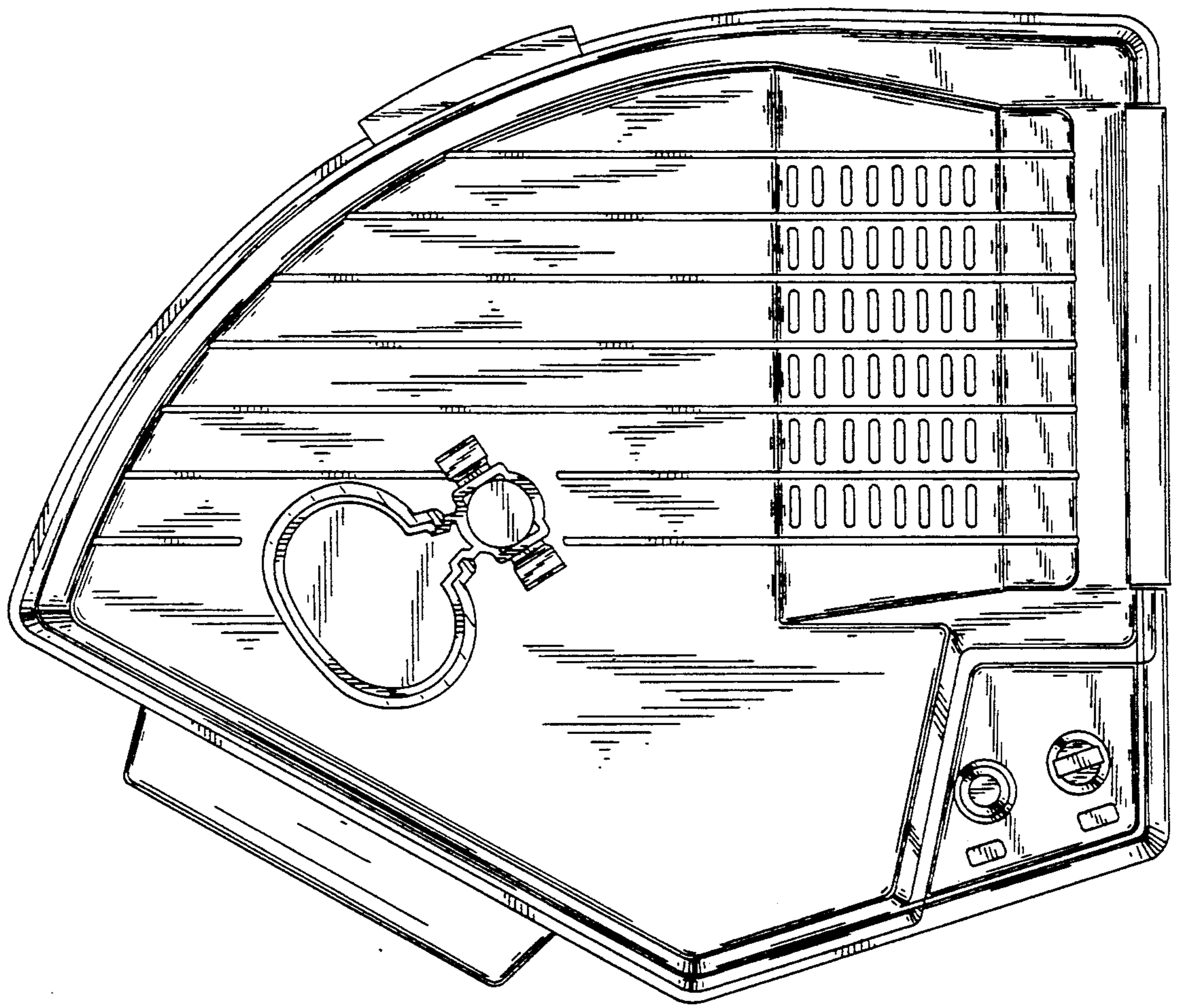


FIG.6