



US00D327196S

United States Patent [19]

[11] Patent Number: **Des. 327,196**

Crook et al.

[45] Date of Patent: **** Jun. 23, 1992**

[54] TOWEL BAR

[75] Inventors: **Gregory M. Crook, Columbus; Kent W. Murphy, Wooster, both of Ohio**

[73] Assignee: **Rubbermaid Incorporated, Wooster, Ohio**

[**] Term: **14 Years**

[21] Appl. No.: **528,777**

[22] Filed: **May 25, 1990**

[52] U.S. Cl. **D6/549**

[58] Field of Search **D6/546-550;**
211/13, 16, 86-88, 105.1-105.2; 108/123, 152,
29, 59; 312/37

[56] **References Cited**

U.S. PATENT DOCUMENTS

D. 263,661	4/1982	Thompson	D6/549
D. 267,840	2/1983	Cohen	D6/549
D. 312,935	12/1990	Chap et al.	D6/549
4,702,381	10/1987	Carter et al.	211/105.2

OTHER PUBLICATIONS

Domus (May 1988) p. 14 Towel Bar.

PAMI Catalogue (Aug. 1987) "Malibu" Towel Bar.
Faries Mfg. Co. Catalogue (1948) Chrome Model 1000
Towel Bar 1022.

Catalog Page. S. A. Grosfillex, Belgique/Belgie, 334,
Chaussee d'Alseberg, 1180 Bruxelles, publication date
unknown (Towel Rail No. 7).

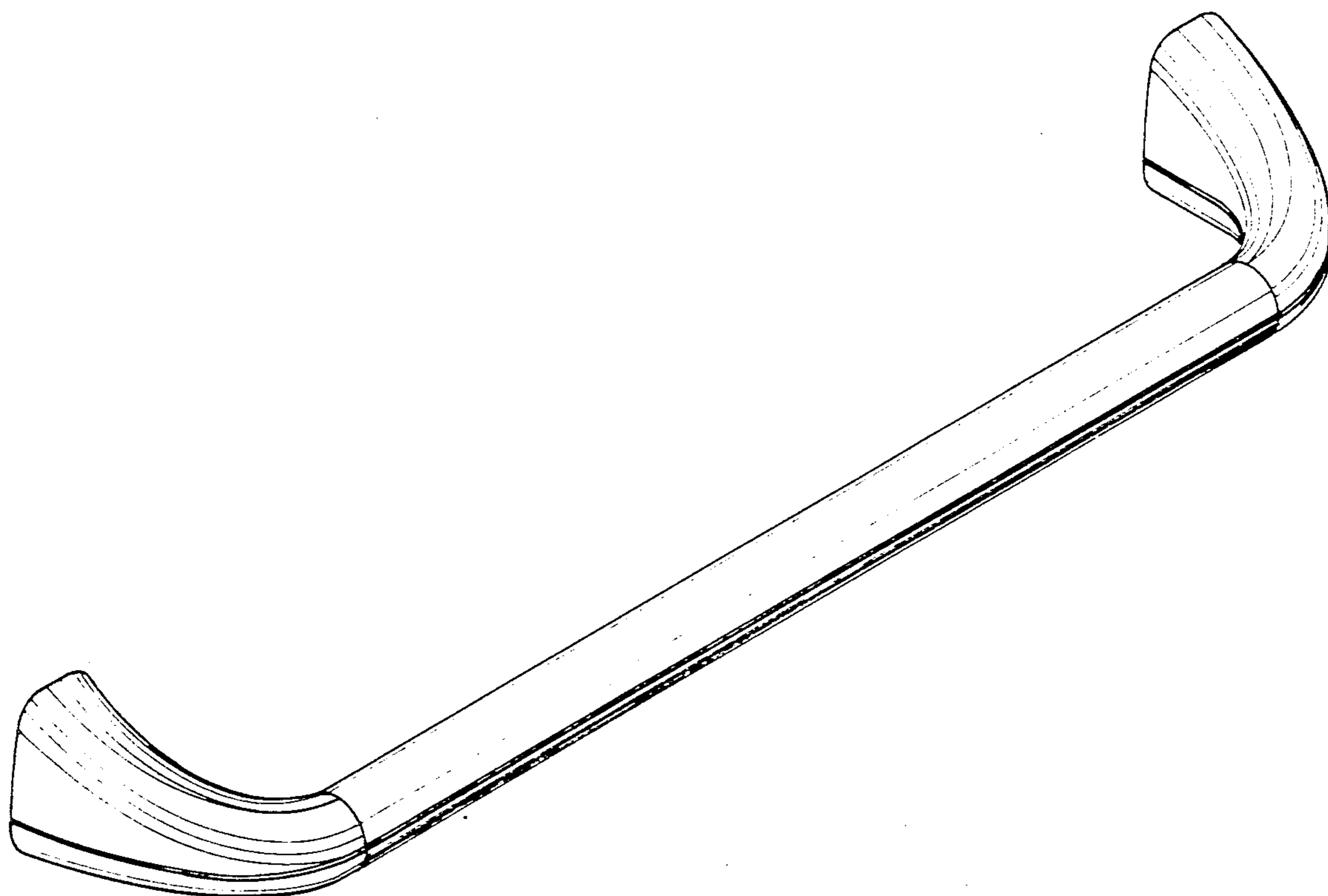
Primary Examiner—Brian N. Vinson
Attorney, Agent, or Firm—Richard B. O'Planick

[57] **CLAIM**

The ornamental design for a towel bar, as shown and
described. -

DESCRIPTION

FIG. 1 is a top, front, and left side perspective view of a towel bar showing our new design;
 FIG. 2 is an enlarged right side elevational view thereof, the left side being a mirror image of that shown;
 FIG. 3 is an enlarged top plan view thereof;
 FIG. 4 is an enlarged bottom plan view thereof;
 FIG. 5 is an enlarged front elevational view thereof; and,
 FIG. 6 is an enlarged rear elevational view thereof.
 The towel bar is shown broken-away in FIGS. 3-6 for convenience of illustration.



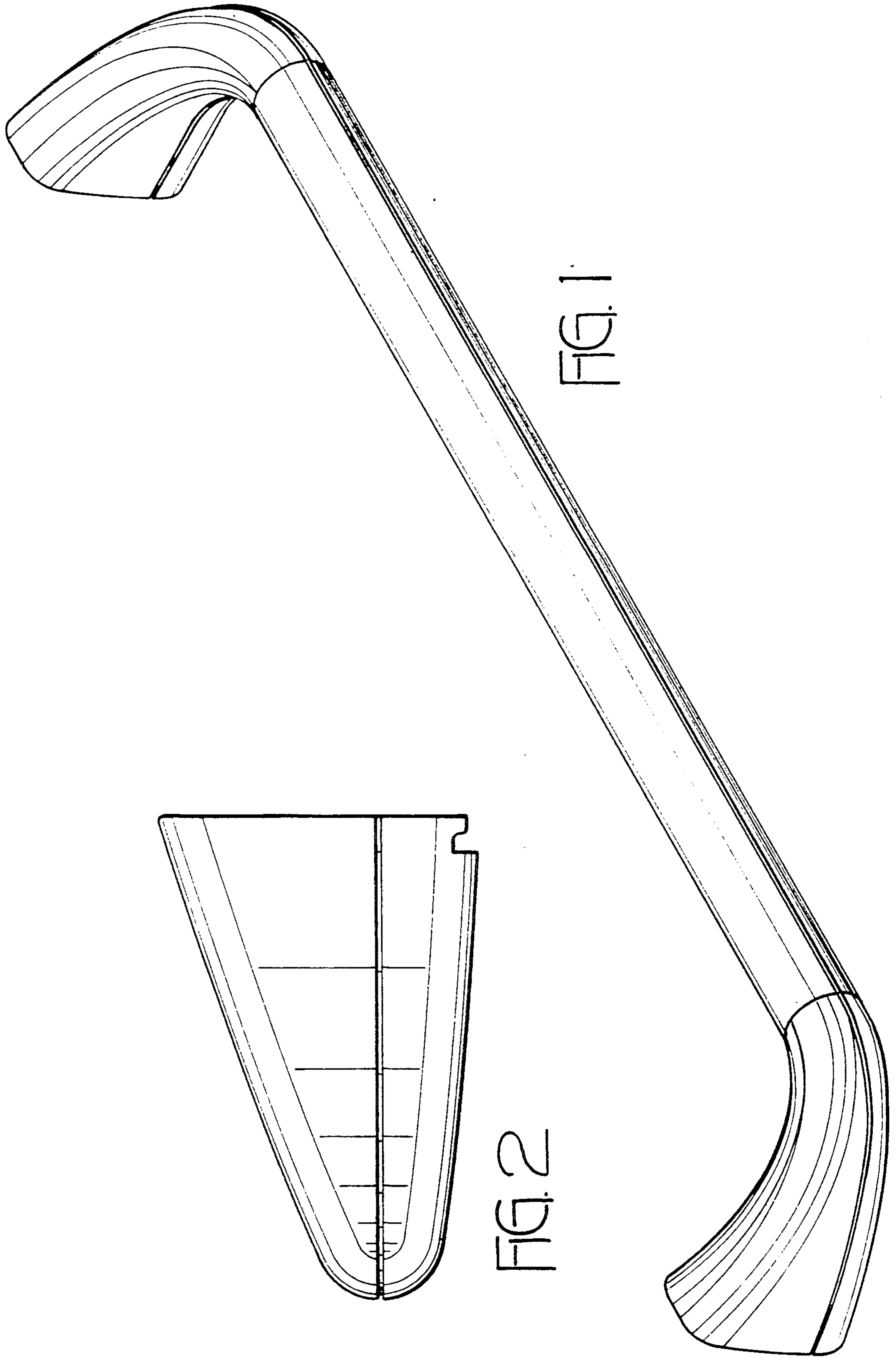


FIG. 1

FIG. 2

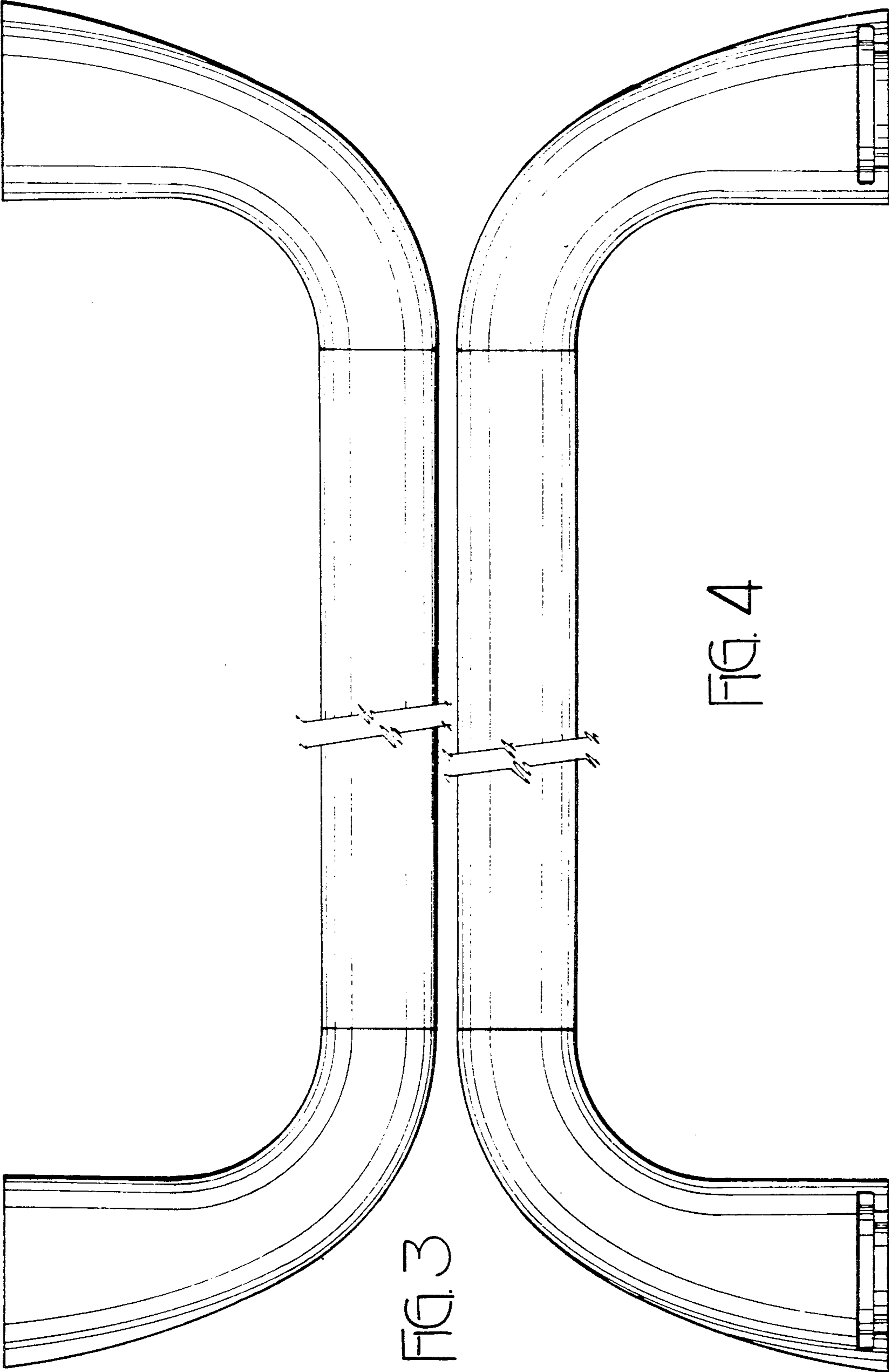


FIG. 3

FIG. 4



FIG. 5

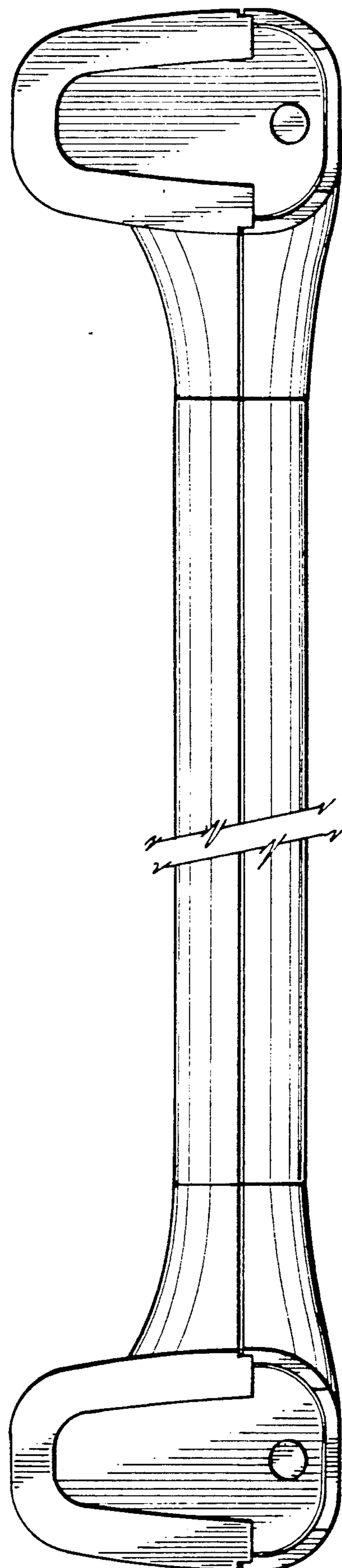


FIG. 6