



US00D327193S

United States Patent [19]

[11] Patent Number: **Des. 327,193**

Crook et al.

[45] Date of Patent: **** Jun. 23, 1992**

[54] **TOILET PAPER DISPENSER**

[75] Inventors: **Gregory M. Crook, Columbus; Kent W. Murphy, Wooster, both of Ohio**

[73] Assignee: **Rubbermaid Incorporated, Wooster, Ohio**

[**] Term: **14 Years**

[21] Appl. No.: **528,775**

[22] Filed: **May 25, 1990**

[52] U.S. Cl. **D6/523**

[58] Field of Search **D6/518-523;**
108/28-29, 33, 152; 211/13, 16, 70.6, 71, 86-88,
105.1, 106; 248/200; 312/37; 242/55.2, 55.3,
55.53

PAMI Catalogue (Aug. 1987) "Malibu" Toilet Roll Holder, No. 3008.

Faries Mfg. Co. Cat (1948) Chrome Model 1000, Toilet Roll Holder, No. 1017.

Lenape Catalogue (Aug. 1987) p. 7—Toilet Roll Holder #0524.

Catalog Page, S. A. Grosfillex, Belgique/Belgie, 334, Chaussee d'Alsemberg, 1180 Bruxelles, Publication date unknown. (Toilet Roll Holder, No. 14).

Primary Examiner—Brian N. Vinson

Attorney, Agent, or Firm—Richard B. O'Planick

[57] **CLAIM**

The ornamental design for a toilet paper dispenser, as shown and described.

DESCRIPTION

FIG. 1 is a top, front, and left side perspective view of a toilet paper dispenser showing our new design;

FIG. 2 is an enlarged top plan view thereof;

FIG. 3 is an enlarged bottom plan view thereof;

FIG. 4 is an enlarged front elevational view thereof;

FIG. 5 is an enlarged rear elevational view thereof; and,

FIG. 6 is an enlarged right side elevational view thereof, the left side being a mirror image of that shown.

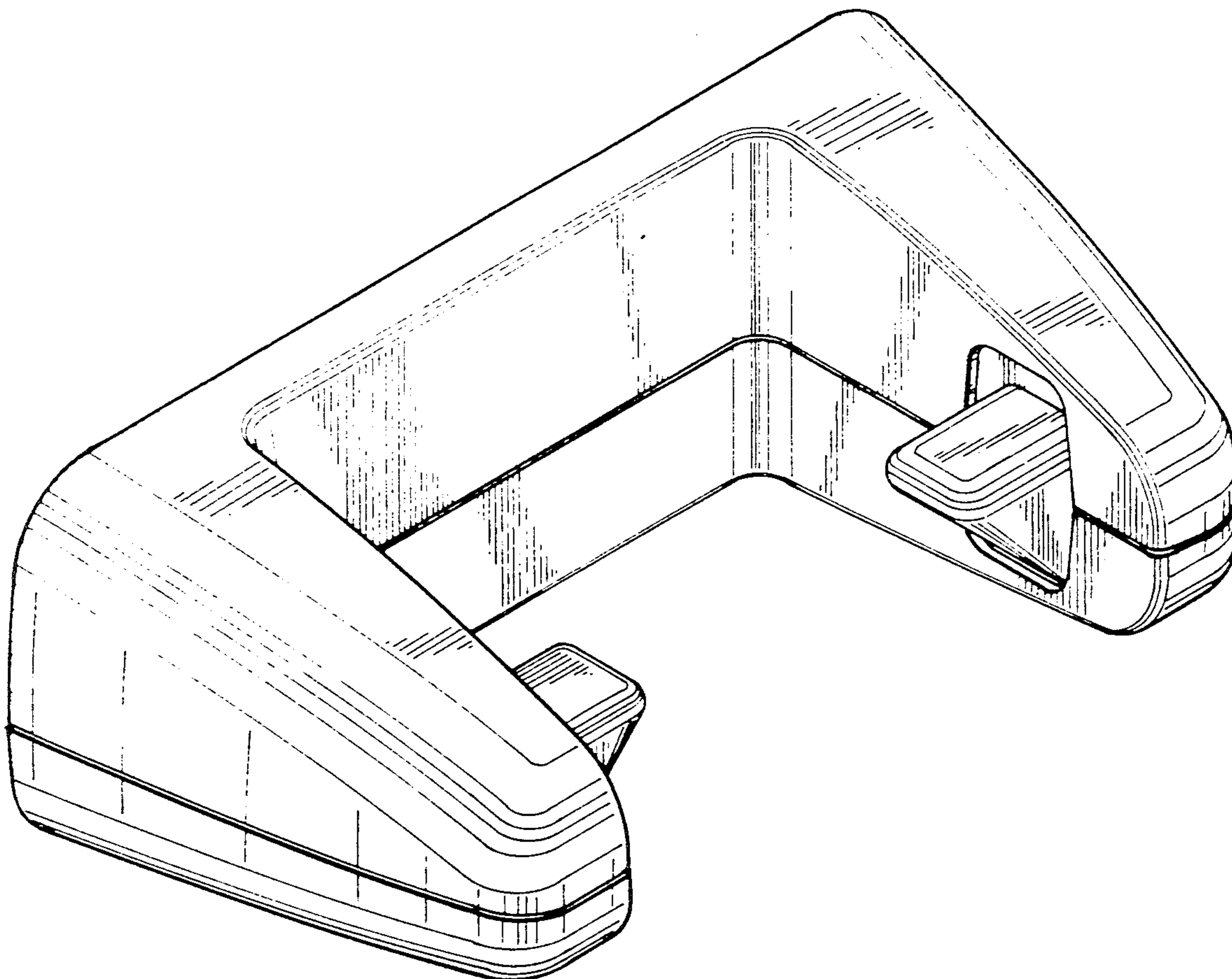
[56] **References Cited**

U.S. PATENT DOCUMENTS

- D. 307,844 5/1990 Romeka D6/523
- D. 314,108 1/1991 Chap et al. D6/523
- 4,071,200 1/1978 Stone 242/55.2

OTHER PUBLICATIONS

Domus Catalogue (May 1988) p. 14, Toilet Roll Holder.



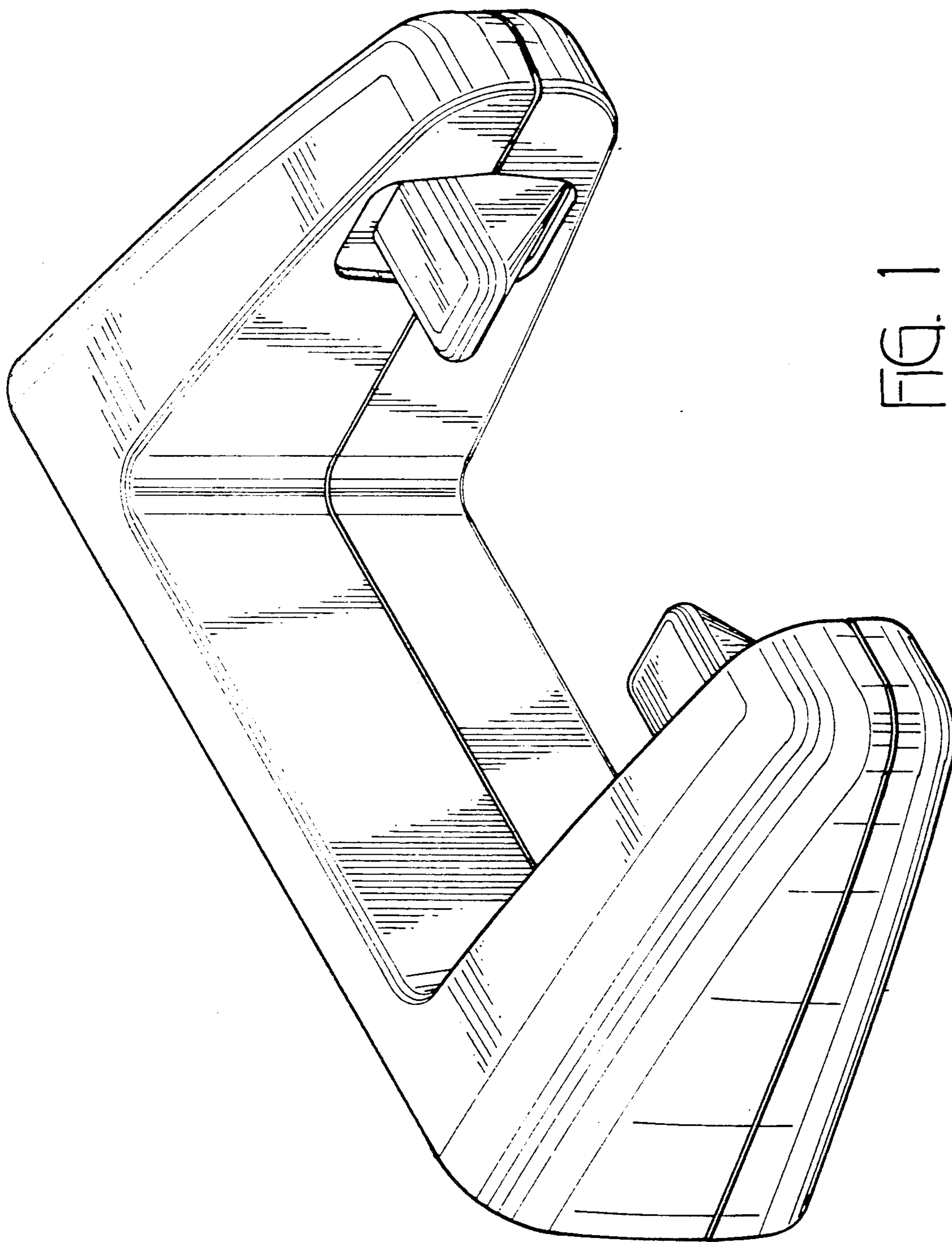


FIG. 1

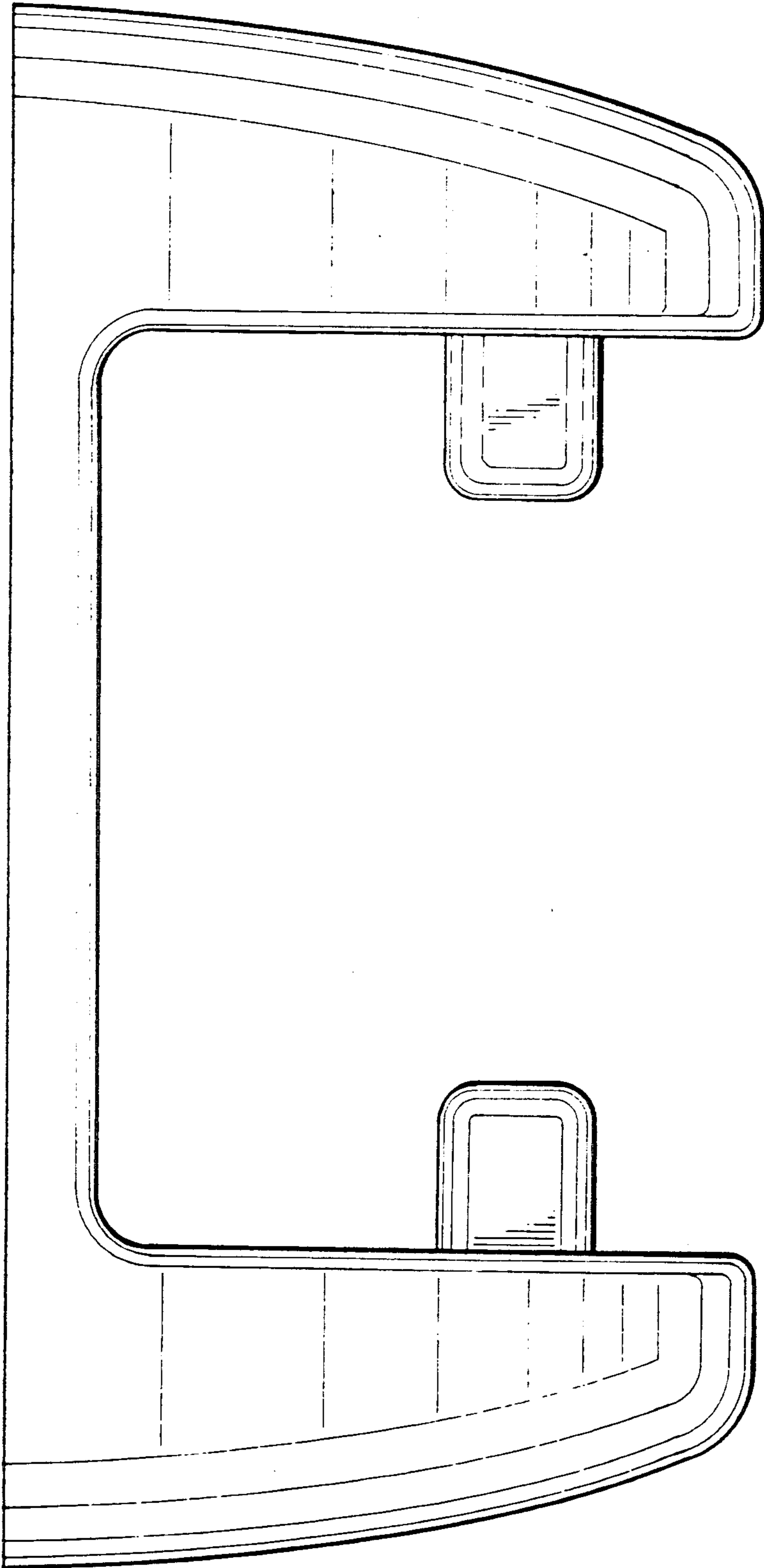


FIG. 2

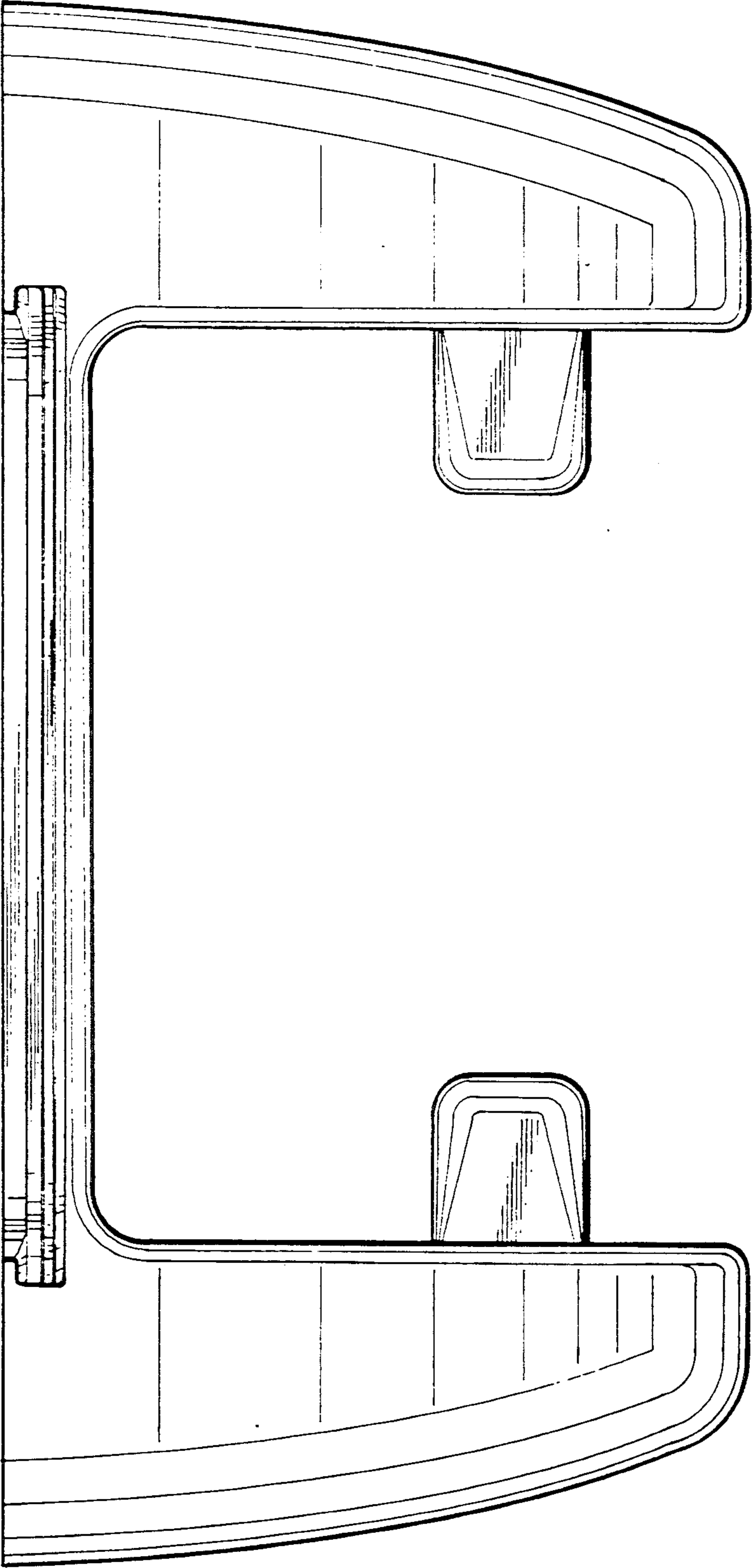


FIG. 3

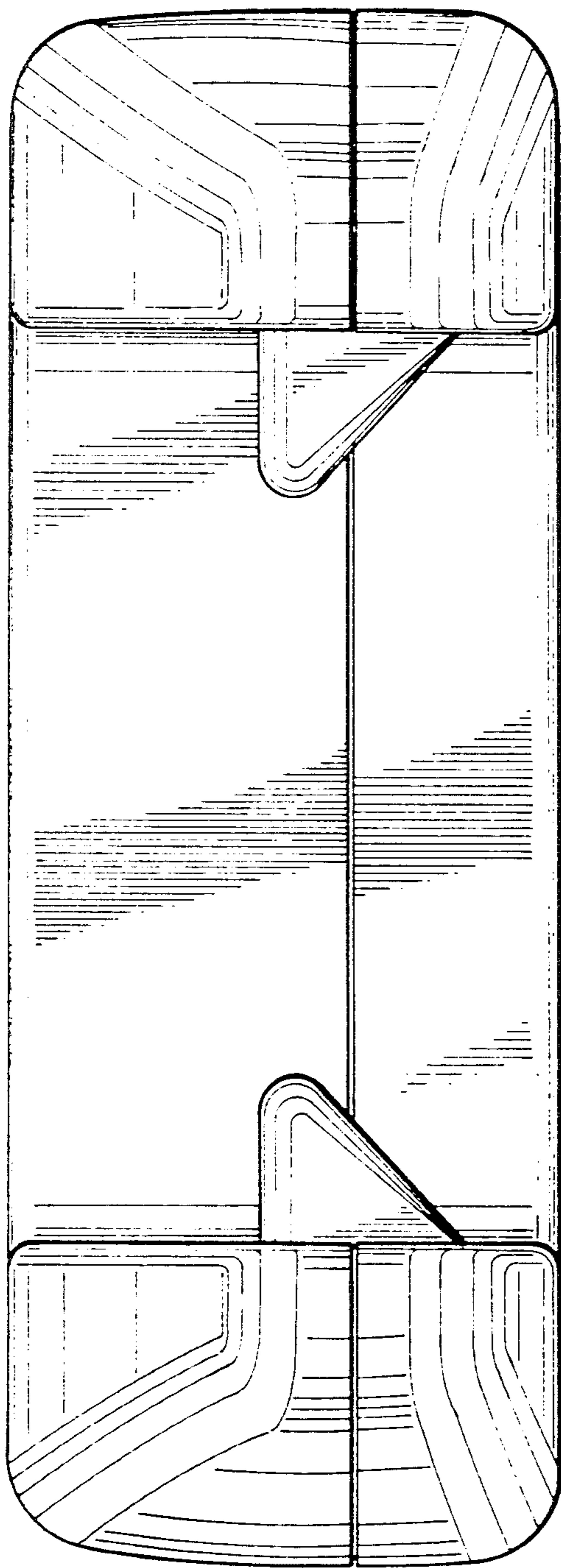


FIG. 4

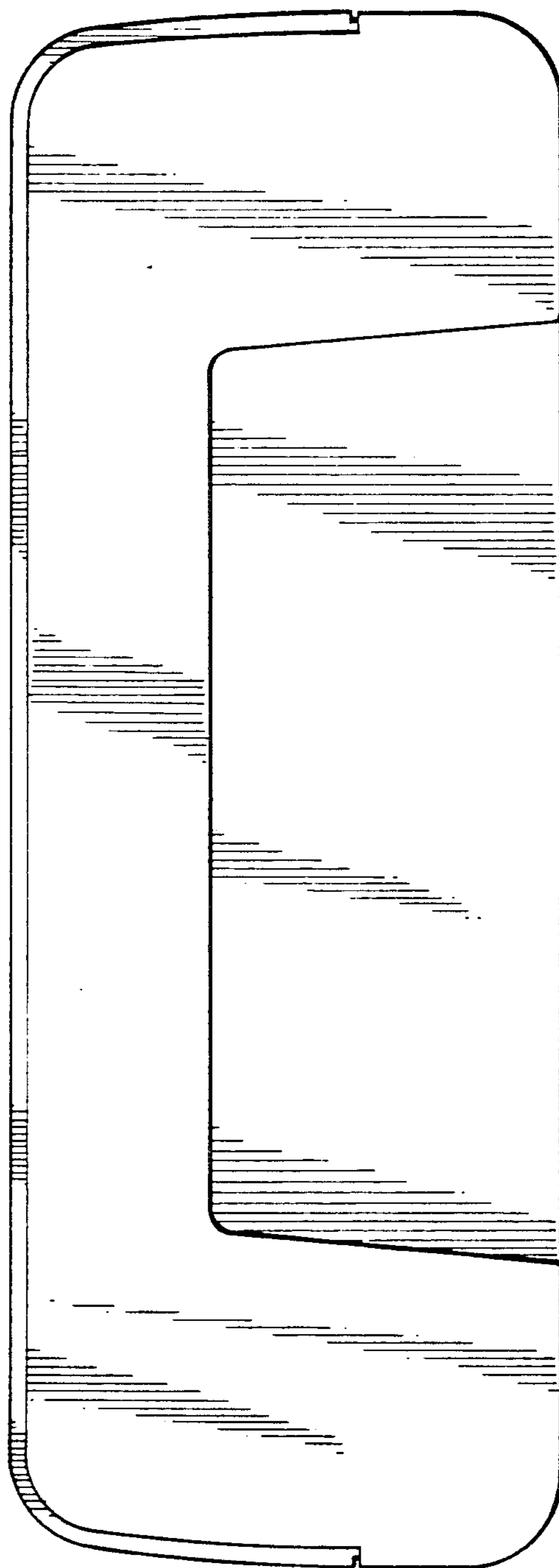


FIG. 5

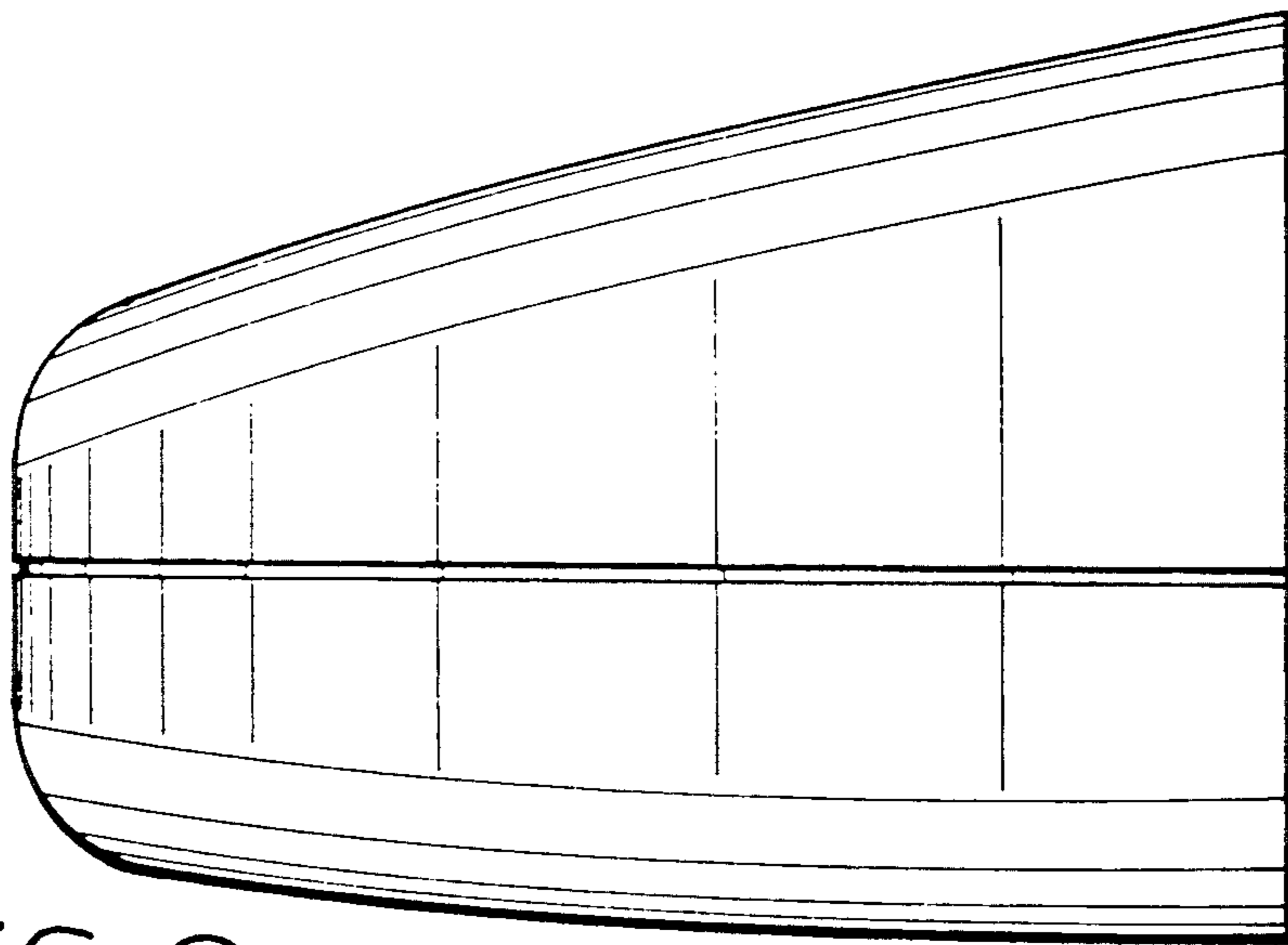


FIG. 6