



US00D327192S

United States Patent [19]

Geuvjehizian

[11] Patent Number: Des. 327,192

[45] Date of Patent: ** Jun. 23, 1992

[54] DISPENSER FOR PAPER ROLLS

4,771,966 9/1988 Anderson D6/522 X

[76] Inventor: Moushegh Y. Geuvjehizian, 7507 N. First St.#103, Fresno, Calif. 93720

Primary Examiner—Brian N. Vinson
Attorney, Agent, or Firm—Allan M. Shapiro

[**] Term: 14 Years

[57] CLAIM

[21] Appl. No.: 620,298

The ornamental design for a dispenser for paper rolls, as shown and described.

[22] Filed: Nov. 30, 1990

DESCRIPTION

Related U.S. Application Data

[63] Continuation-in-part of Ser. No. 534,421, Jun. 7, 1990.

[52] U.S. Cl. D6/518

[58] Field of Search D6/518-523;
211/16; 242/55.2, 55.3, 55.53

FIG. 1 is a top, front, and left side perspective view of a dispenser for paper rolls showing my new design, the undisclosed rear being plain and unornamented;

FIG. 2 is an enlarged right side elevational view thereof;

FIG. 3 is an enlarged top plan view thereof, the bottom being identical in appearance;

FIG. 4 is a top, front, and left side perspective view of a second embodiment thereof, the undisclosed rear being plain and unornamented;

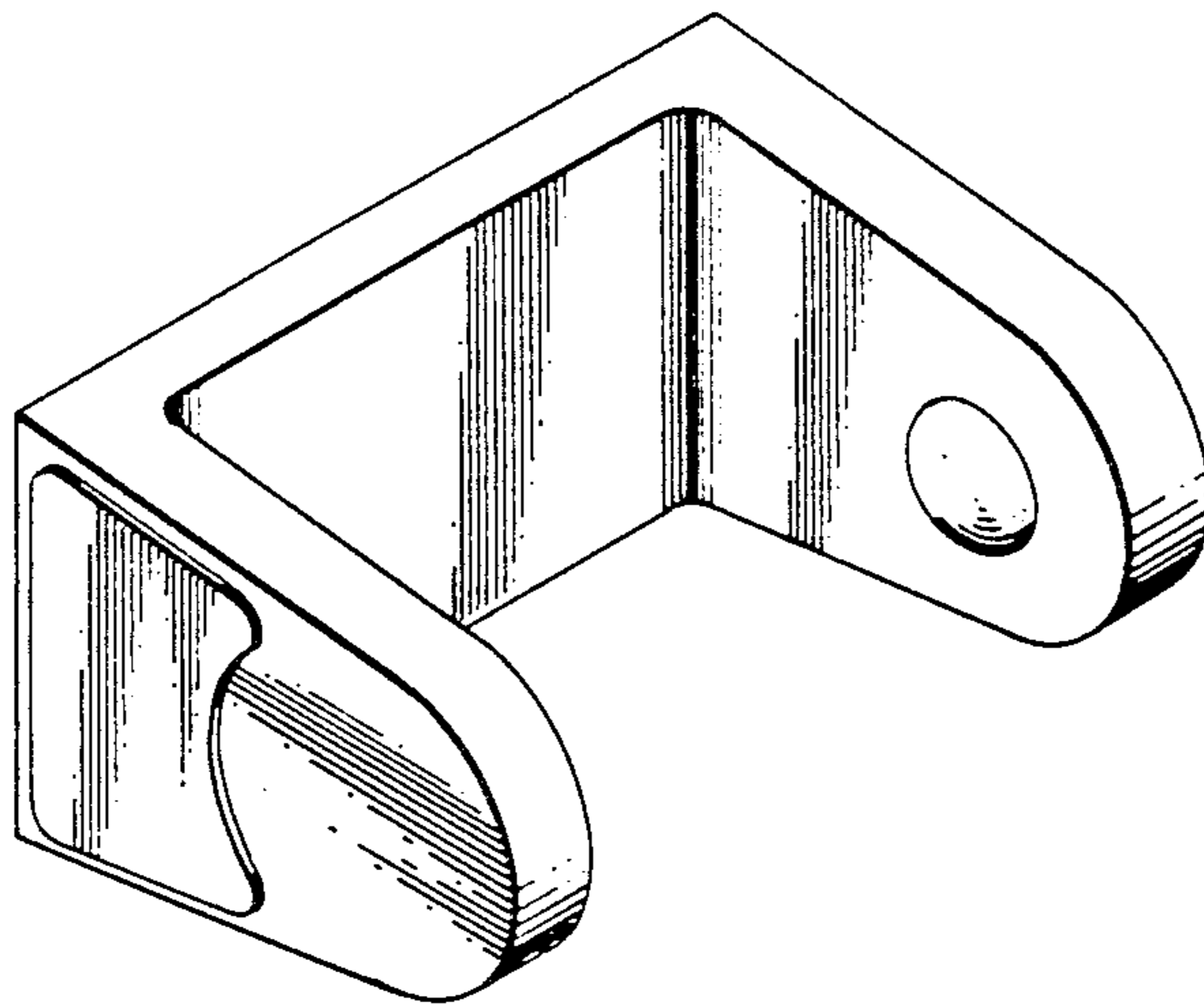
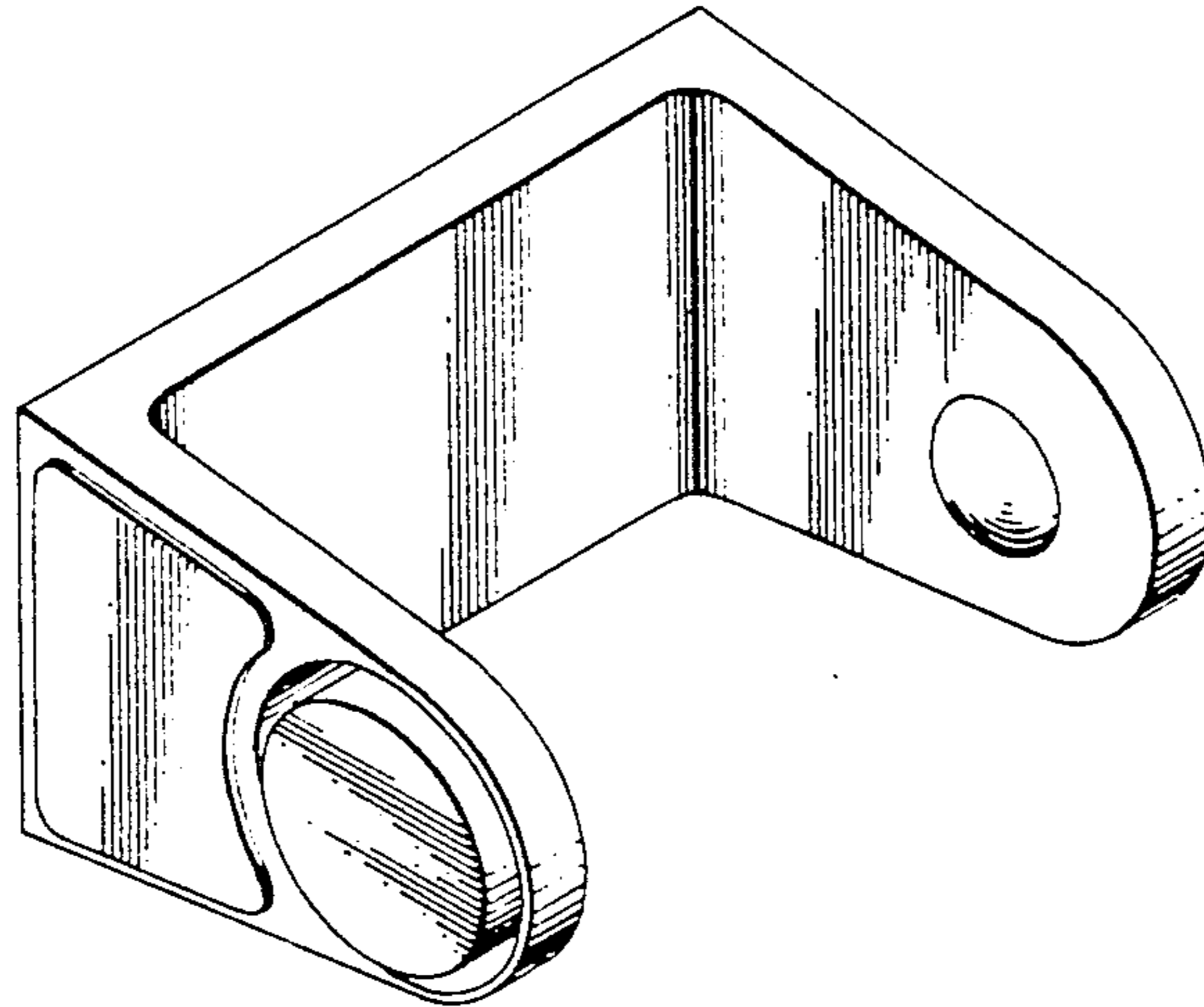
FIG. 5 is an enlarged right side elevational view of the embodiment of FIG. 4; and,

FIG. 6 is an enlarged top plan view of the embodiment of FIG. 4, the bottom being identical in appearance.

[56] References Cited

U.S. PATENT DOCUMENTS

D. 273,644	5/1984	Colavito et al.	D6/518
2,879,012	3/1959	Sarro	242/55.2
3,516,615	6/1970	Wickenberg	242/55.2
4,553,710	11/1985	Pool	242/55.2



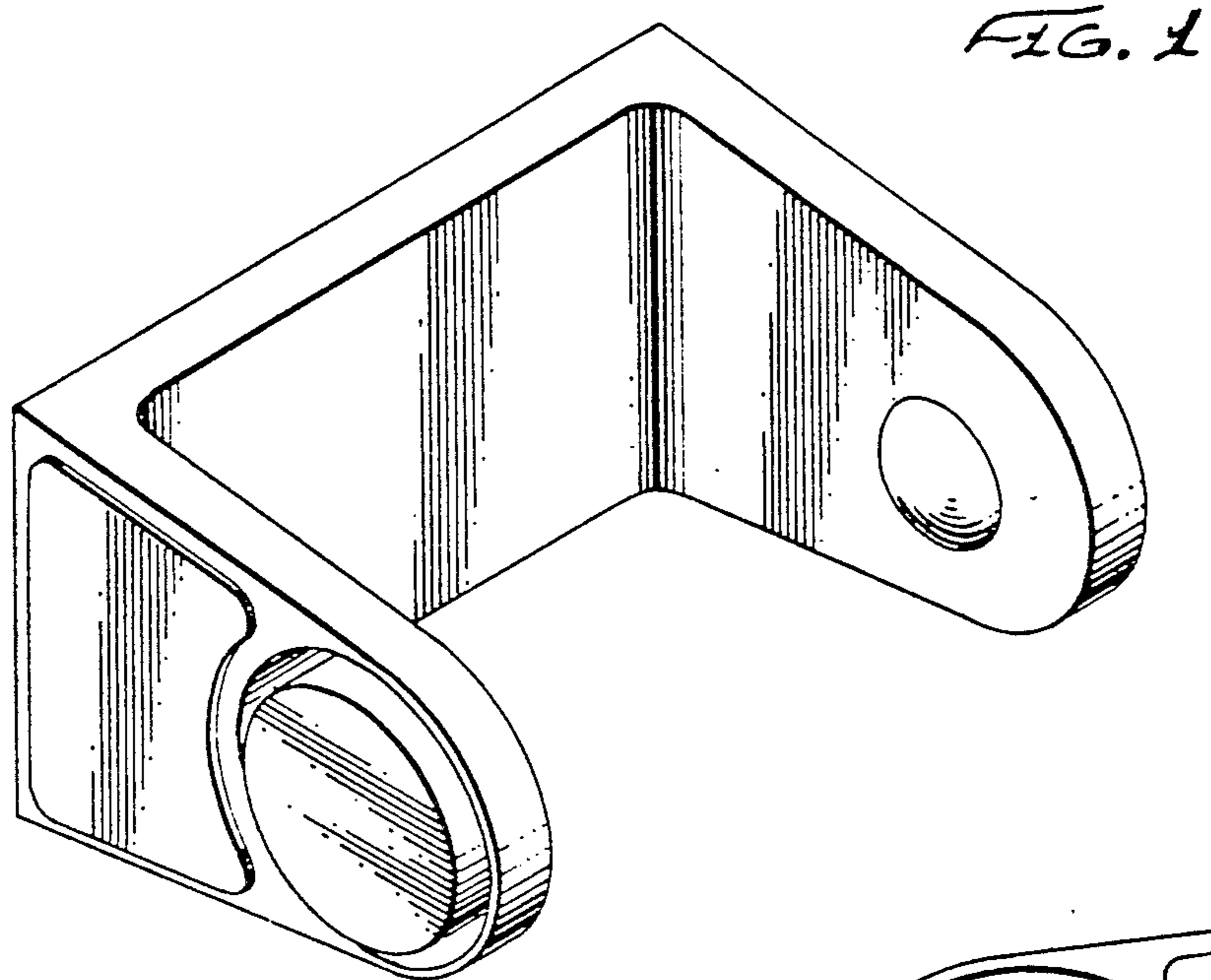


FIG. 2

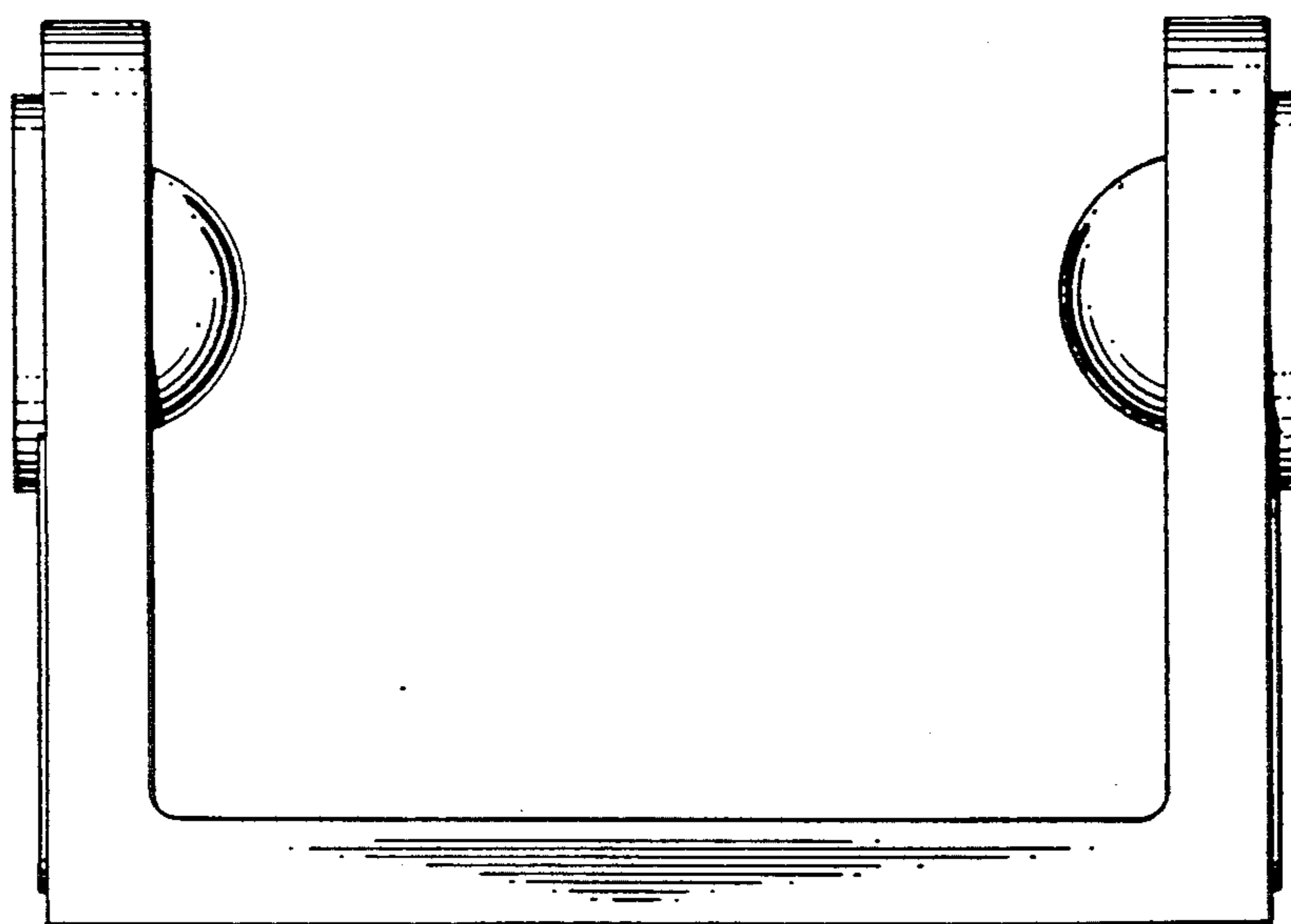
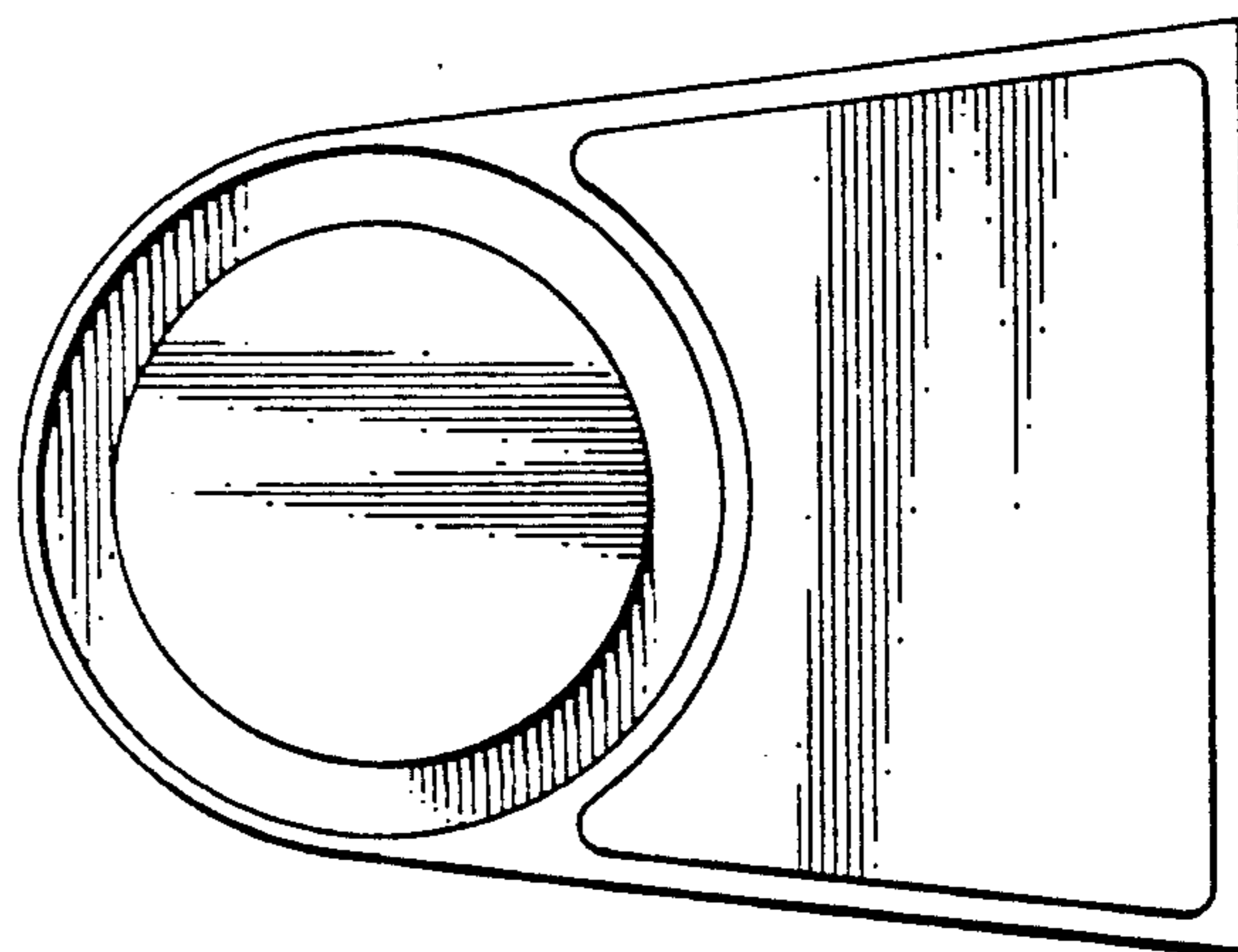


FIG. 3

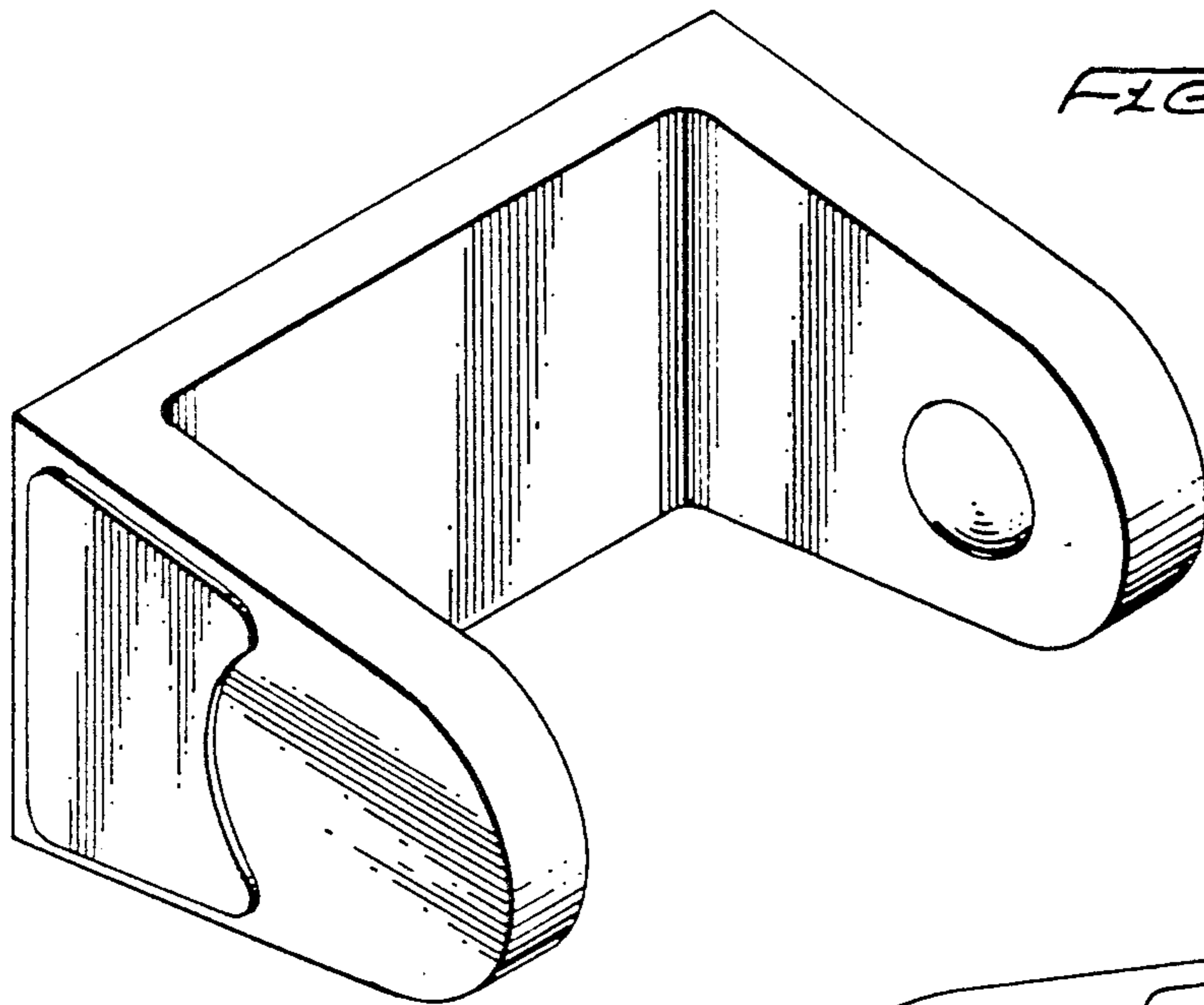


FIG. 4

FIG. 5

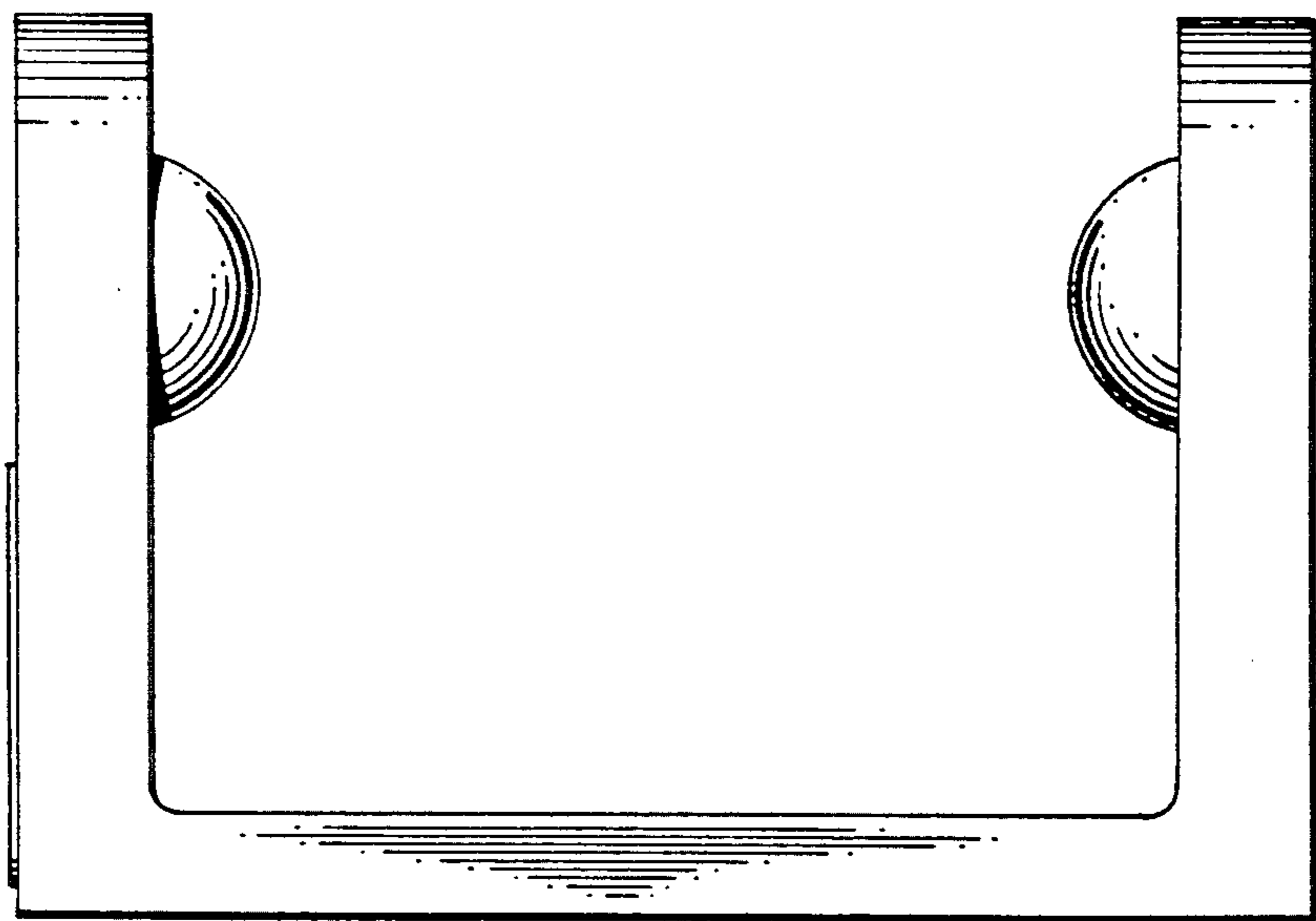
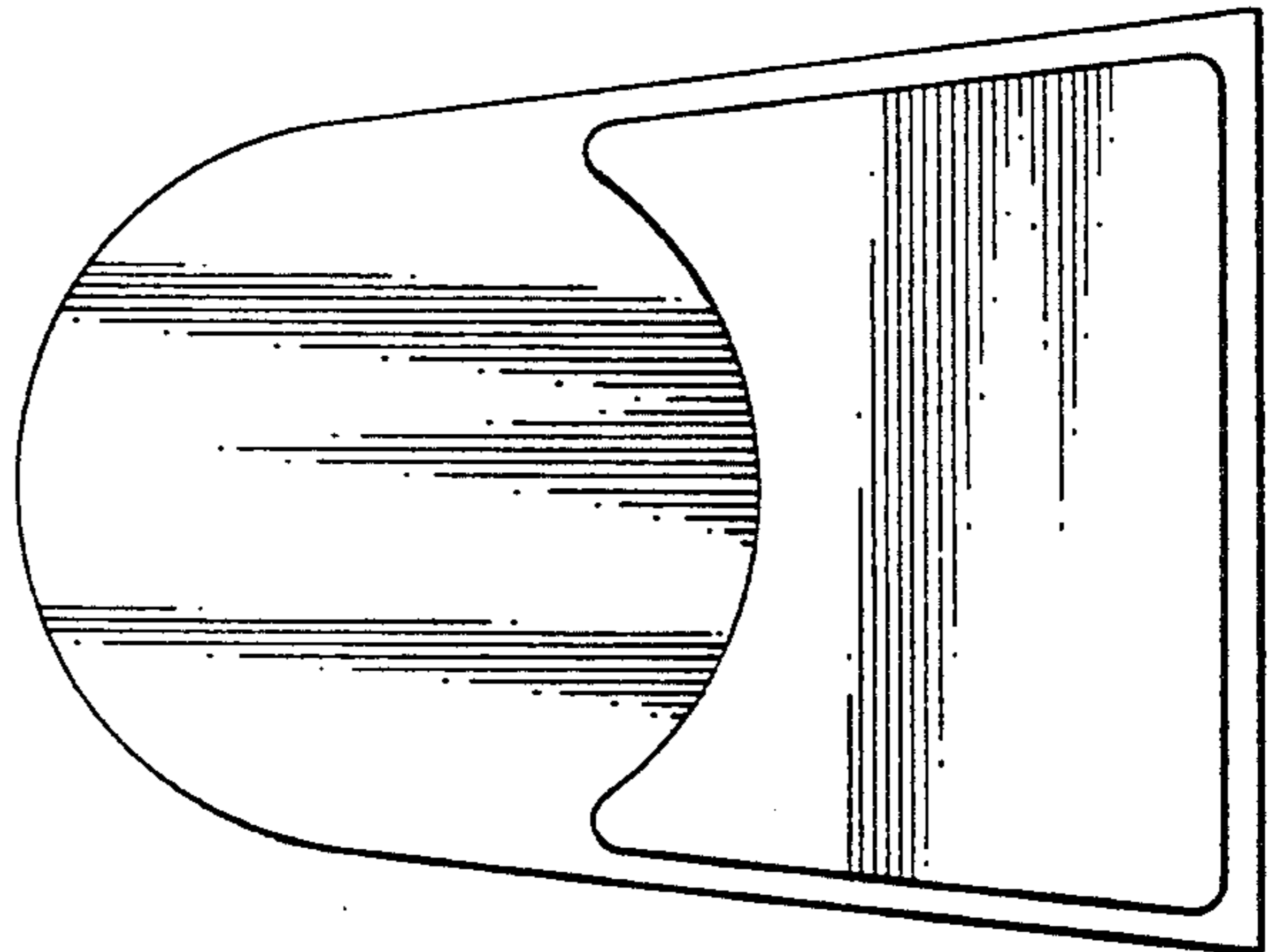


FIG. 6