



US00D327190S

United States Patent [19]

[11] Patent Number: **Des. 327,190**

Wear et al.

[45] Date of Patent: **** Jun. 23, 1992**

[54] **MERCHANDISE DISPLAY SHELF**

3,405,716 10/1968 Cafiero et al. 312/185 X
3,550,979 12/1970 Protzmann 312/183
4,005,797 2/1977 Ingram 312/183 X

[76] Inventors: **Philip A. Wear**, 5900 Carter La.,
Minnetonka, Minn. 55343; **Stuart C.
W. Wear**, 11100 Anderson Lake
Pkwy., Eden Prairie, Minn. 55344

Primary Examiner—Carmen H. Vales-Lado
Assistant Examiner—Janice E. Seeger
Attorney, Agent, or Firm—Leo Gregory

[**] Term: **14 Years**

[57] **CLAIM**

[21] Appl. No.: **426,065**

The ornamental design for a merchandise display shelf,
as shown and described.

[22] Filed: **Oct. 24, 1989**

[52] U.S. Cl. **D6/511**

DESCRIPTION

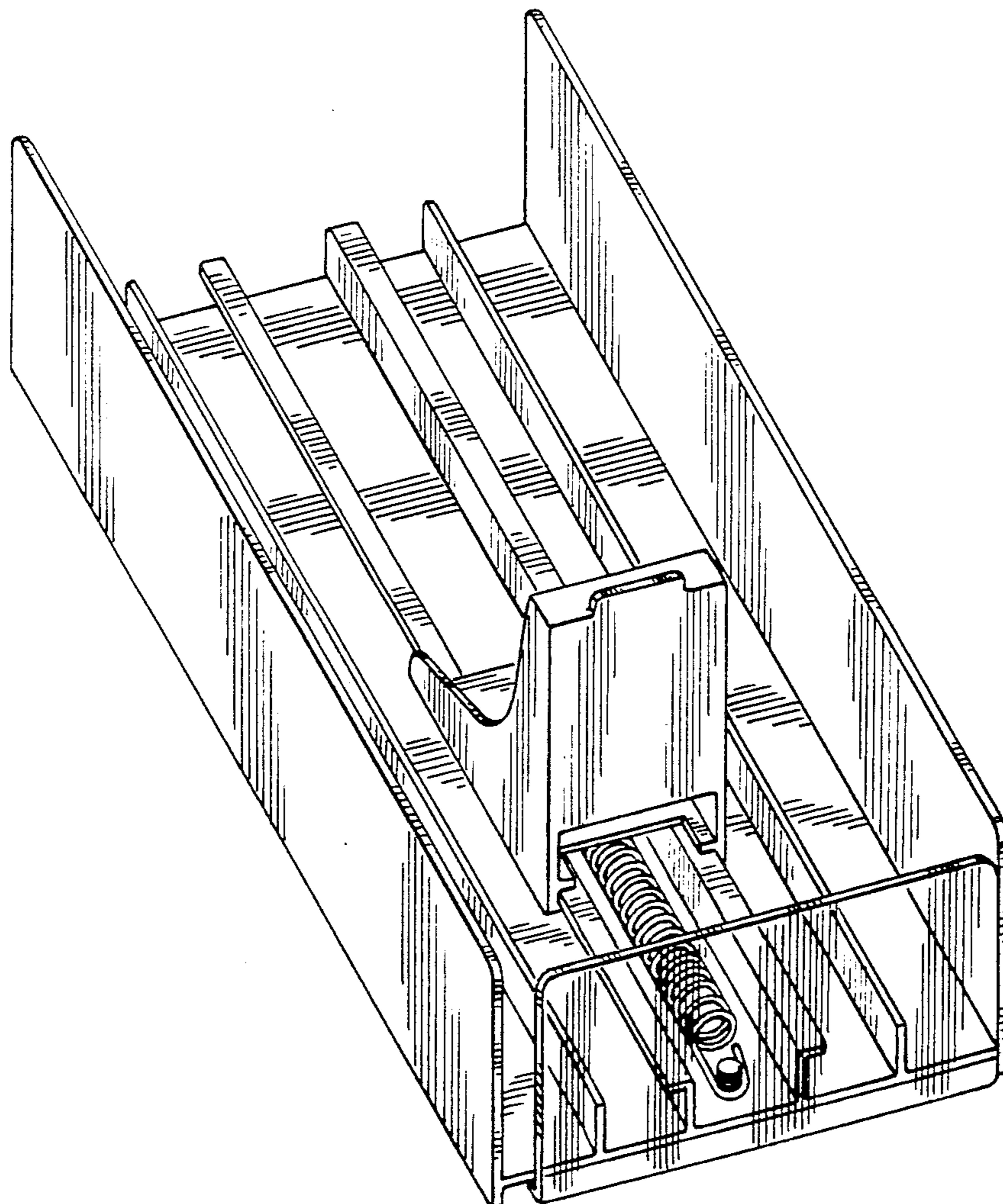
[58] Field of Search D6/491, 481, 492-494,
D6/509-511, 574; D19/76, 35, 91, 52; D3/74,
43; 211/126, 153, 135; 312/183, 185

FIG. 1 is a top plan view of a Merchandise display shelf,
showing my new design;
FIG. 2 is a side elevational view, the opposite side being
a mirror image thereof;
FIG. 3 is a bottom plan view;
FIG. 4 is a front elevational view;
FIG. 5 a rear elevational view;
FIG. 6 is a cross sectional view taken along line 6-6 in
FIG. 6; and,
FIG. 7 is a view in perspective showing the interior of
my shelf design.

[56] **References Cited**

U.S. PATENT DOCUMENTS

D. 212,011	8/1968	Risom	D6/510
D. 233,110	10/1974	Little	D6/510
D. 259,496	6/1981	Hampshire et al.	D19/76
D. 287,425	12/1986	Kirchner	D19/76 X
464,877	12/1891	Judson	211/126



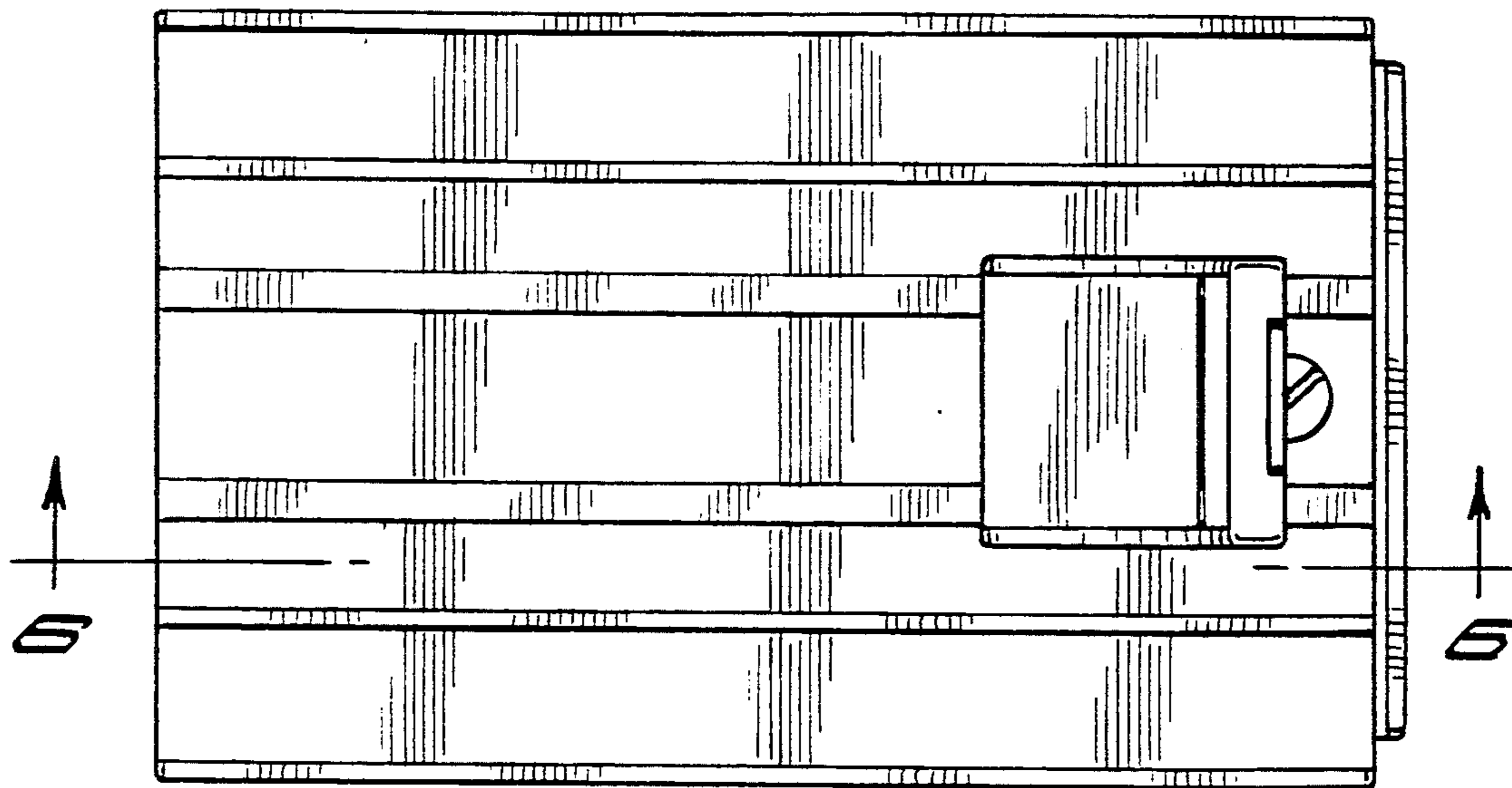


FIG. 1

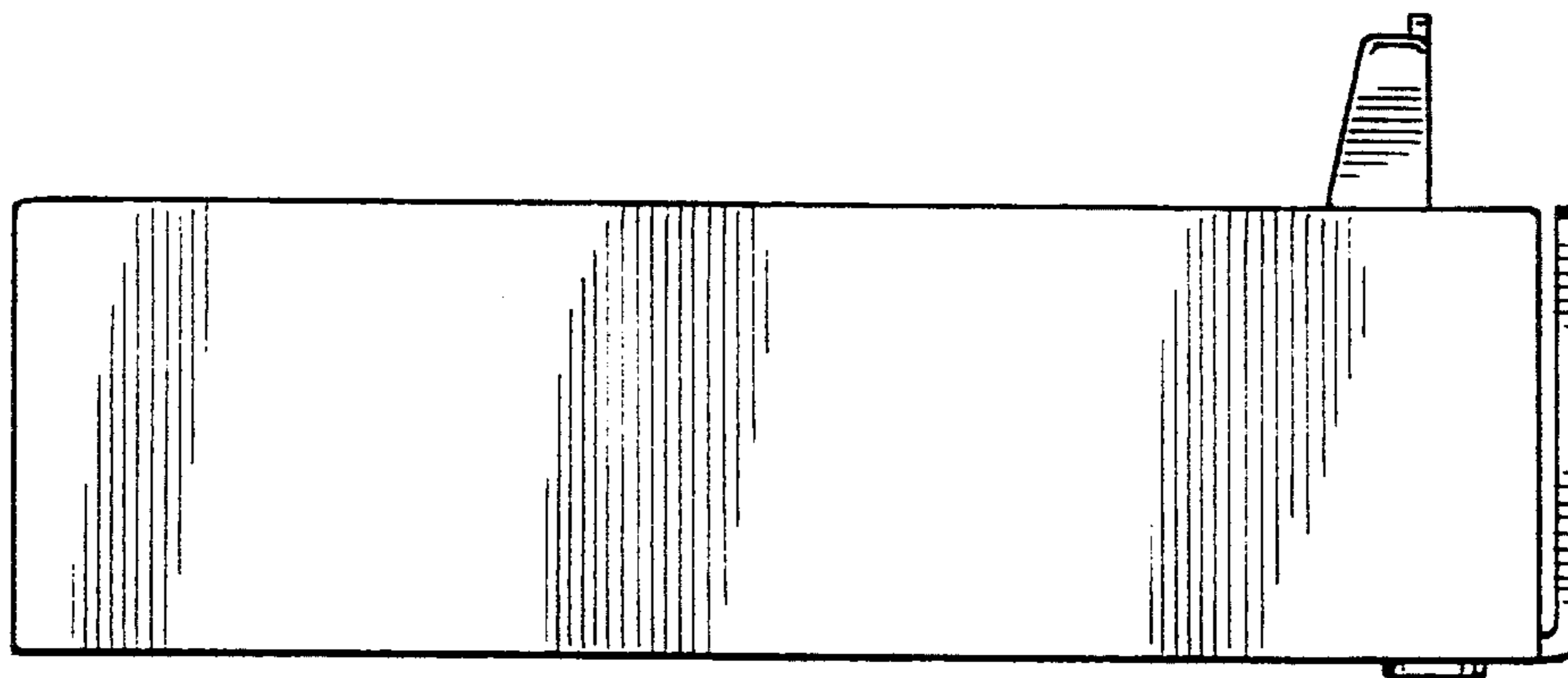


FIG. 2

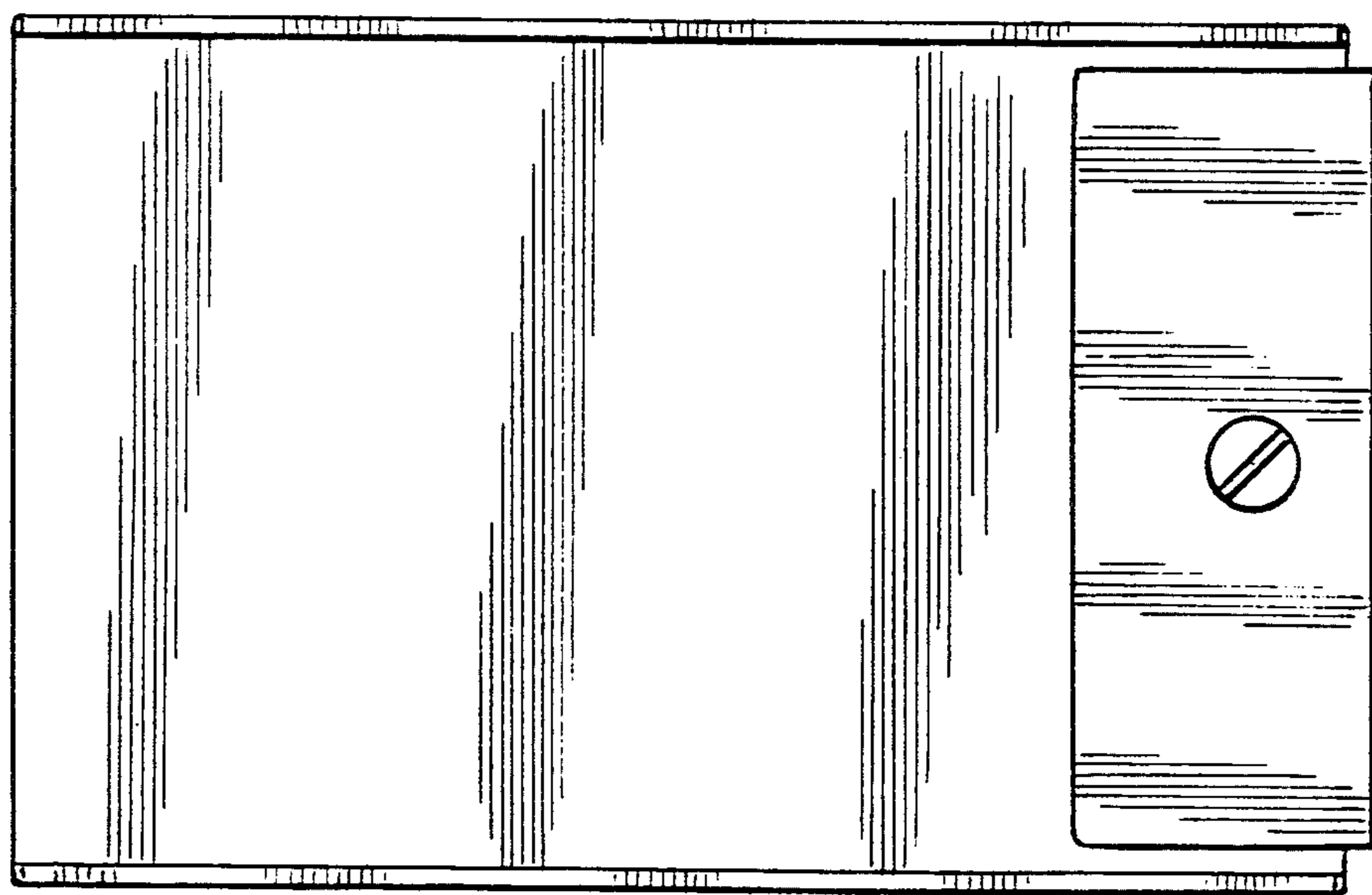


FIG. 3

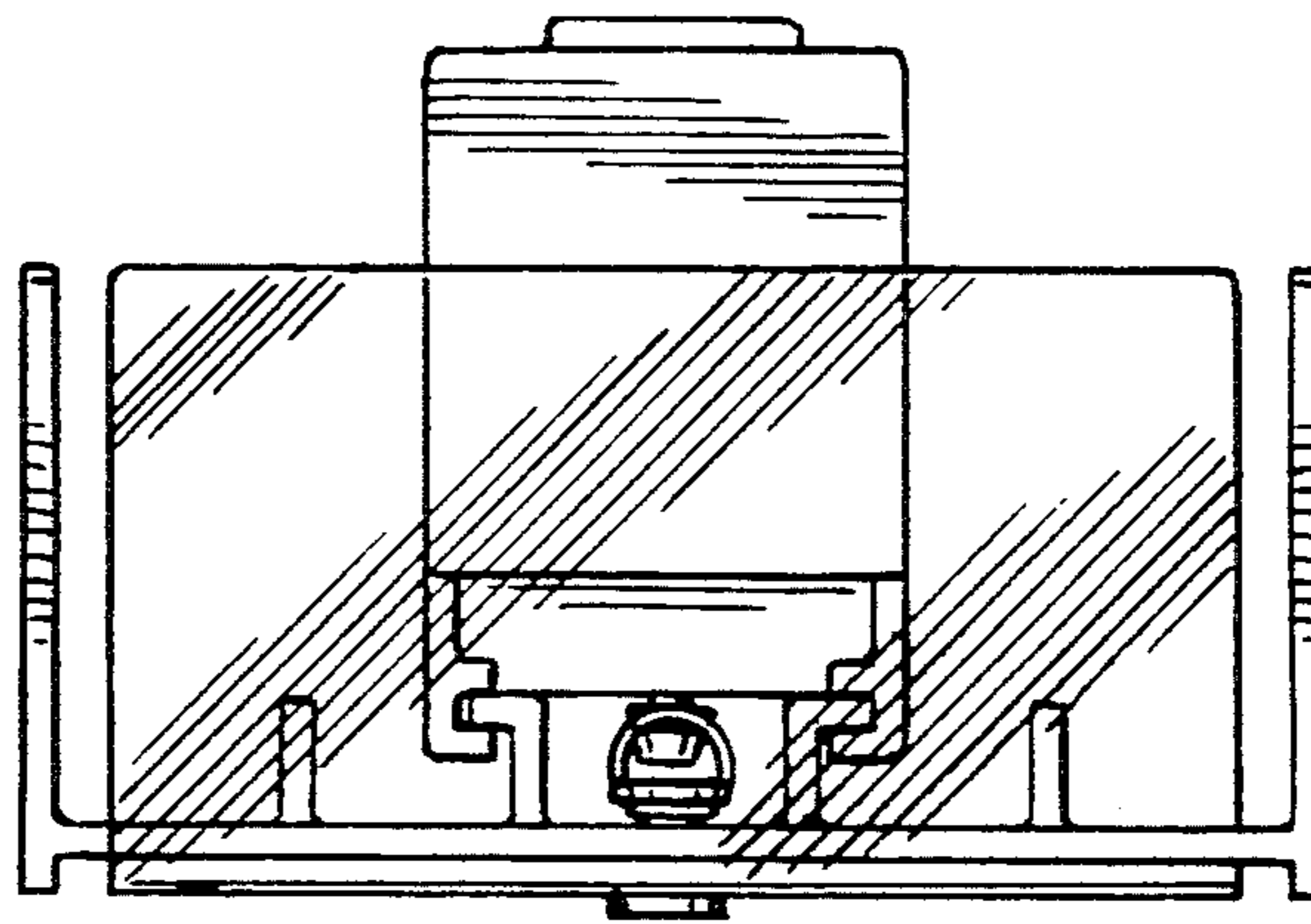


FIG. 4

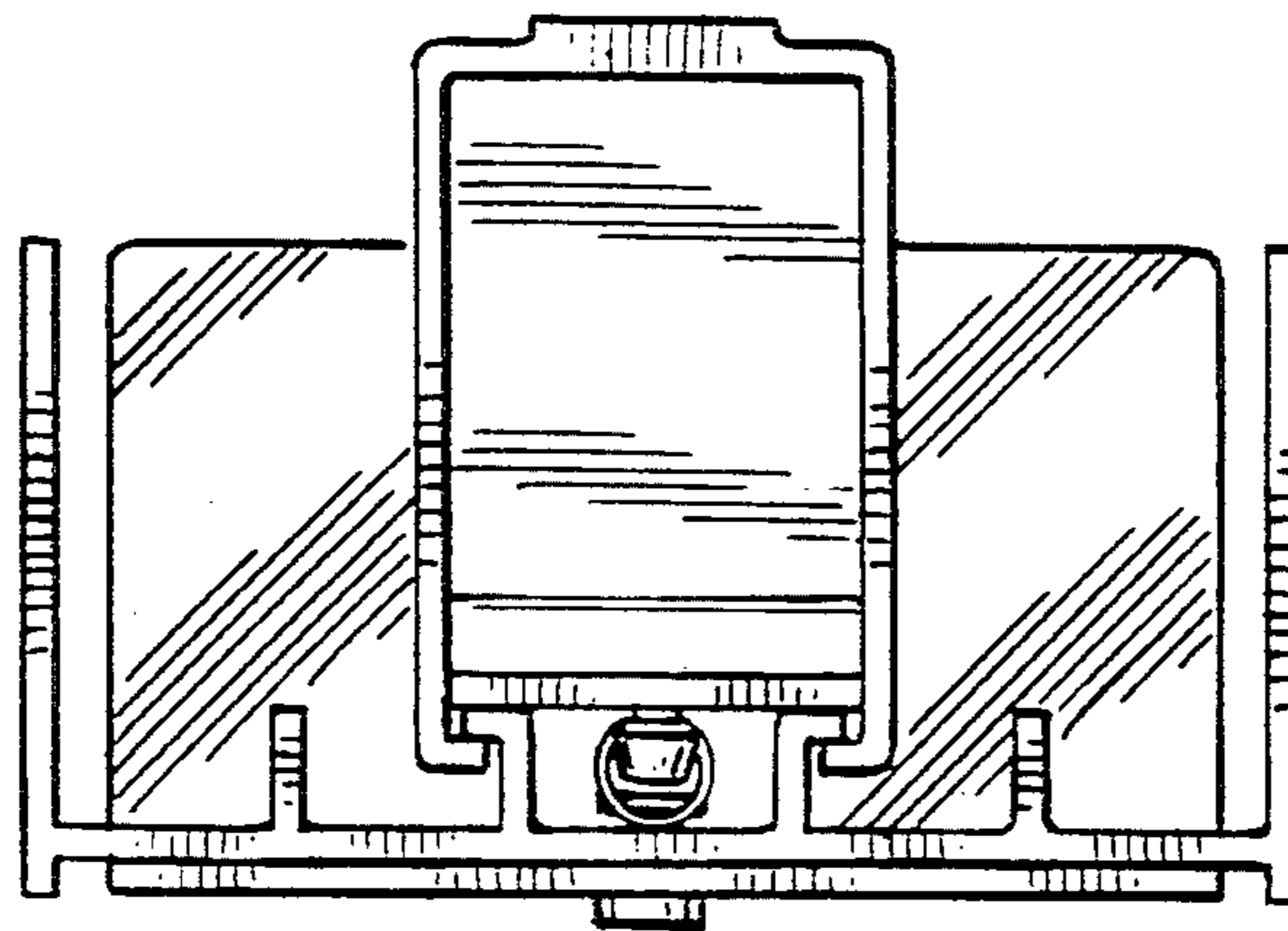


FIG. 5

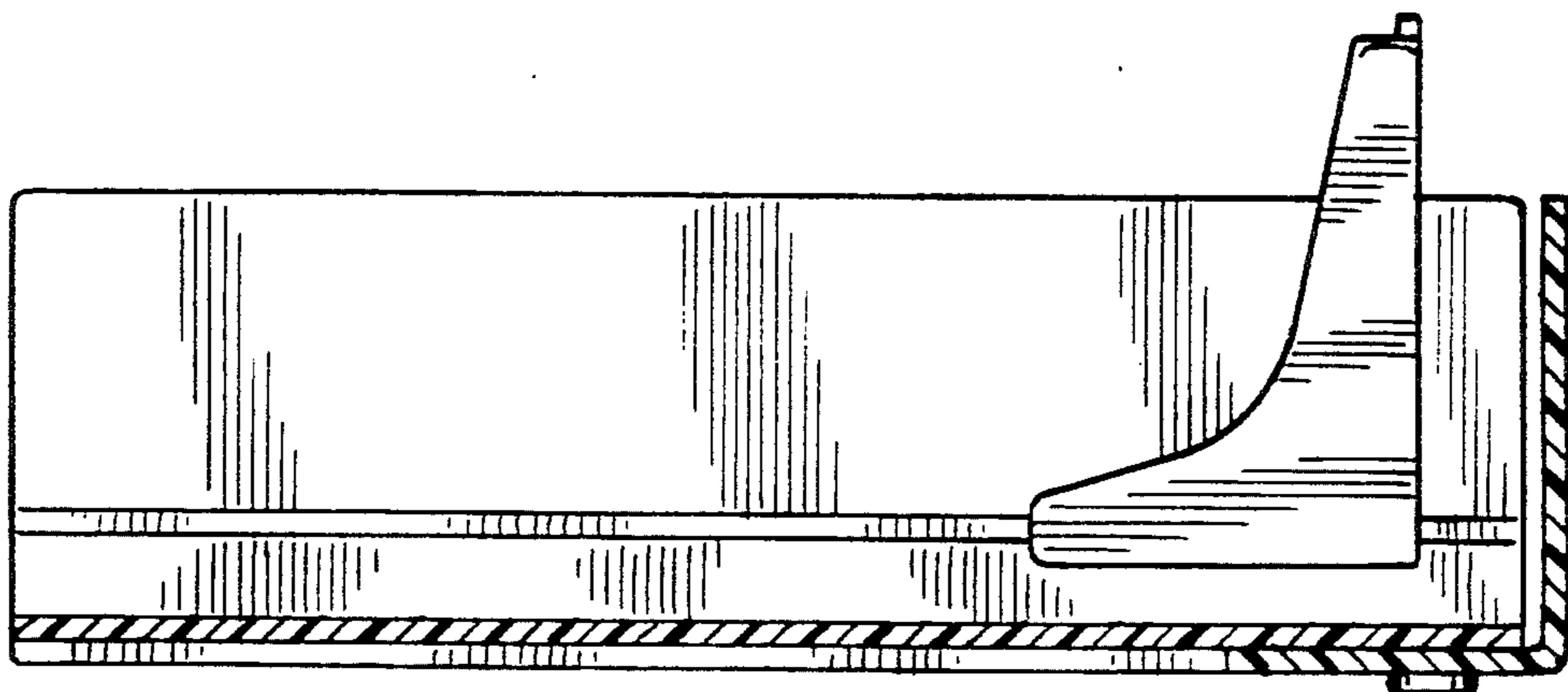


FIG. 6

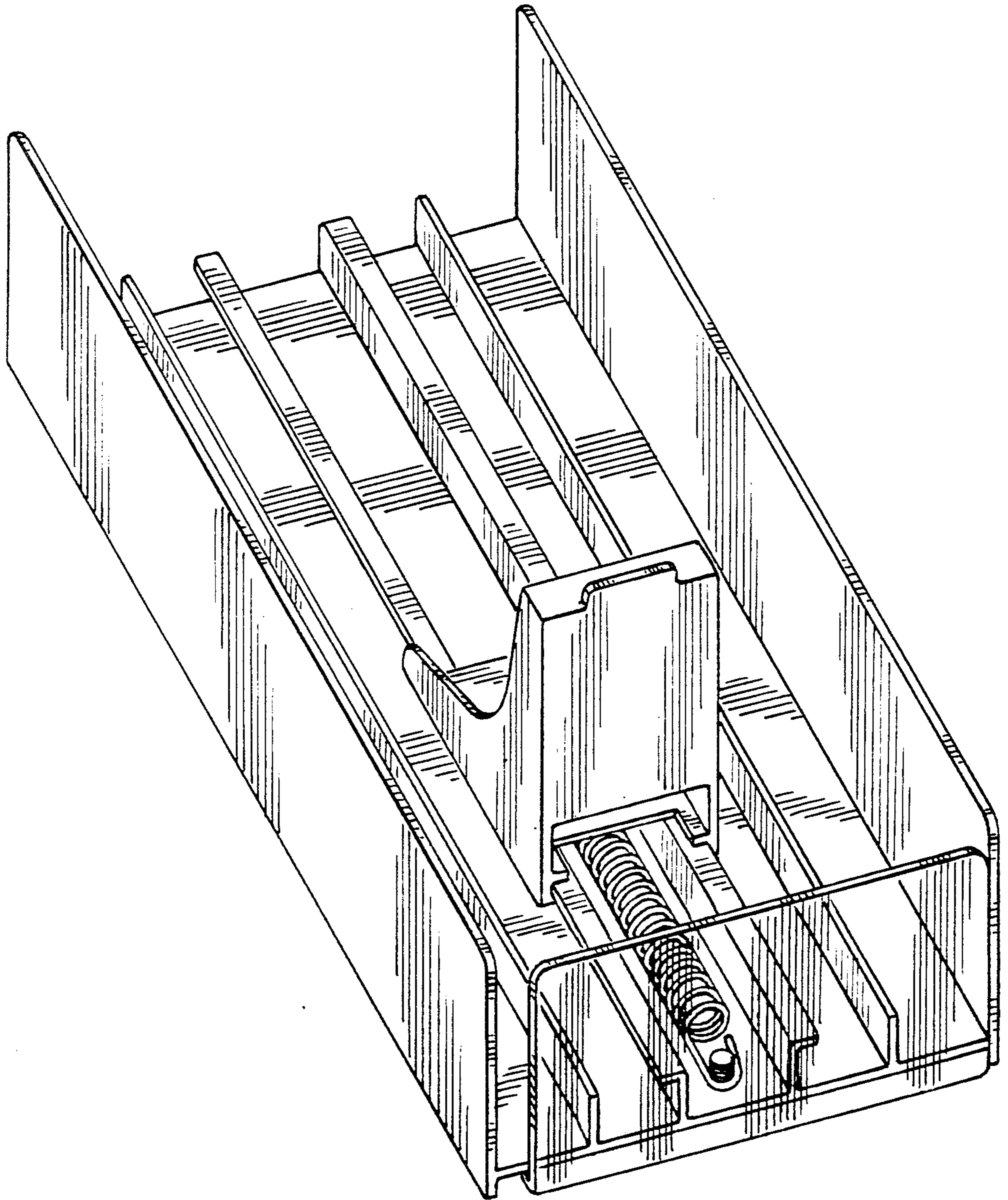


FIG. 7