



US00D327187S

United States Patent [19]

[11] Patent Number: Des. 327,187

Swon

[45] Date of Patent: ** Jun. 23, 1992

[54] ROTATABLE MERCHANDISE DISPLAY UNIT

[76] Inventor: John H. Swon, 5 Orchard La., Minneapolis, Minn. 55436

[**] Term: 14 Years

[21] Appl. No.: 567,676

[22] Filed: Aug. 16, 1990

[52] U.S. Cl. D6/553

[58] Field of Search D6/512-513, D6/552-553, 567, 569-571, 320, 322; 211/1, 13, 60.1, 87-89, 95-96, 99, 113, 115; D20/21

[56] References Cited

U.S. PATENT DOCUMENTS

D. 320,719	10/1991	Kolsrud et al.	D6/553
2,868,386	1/1959	Seyforth	211/95
2,953,866	9/1960	Kies	D20/21 X
3,092,258	6/1963	Bleed	D20/21 X
3,517,905	6/1970	Nestegard	D20/21 X
4,093,077	6/1978	Strasser	211/13 X

Primary Examiner—Brian N. Vinson
Attorney, Agent, or Firm—Kinney & Lange

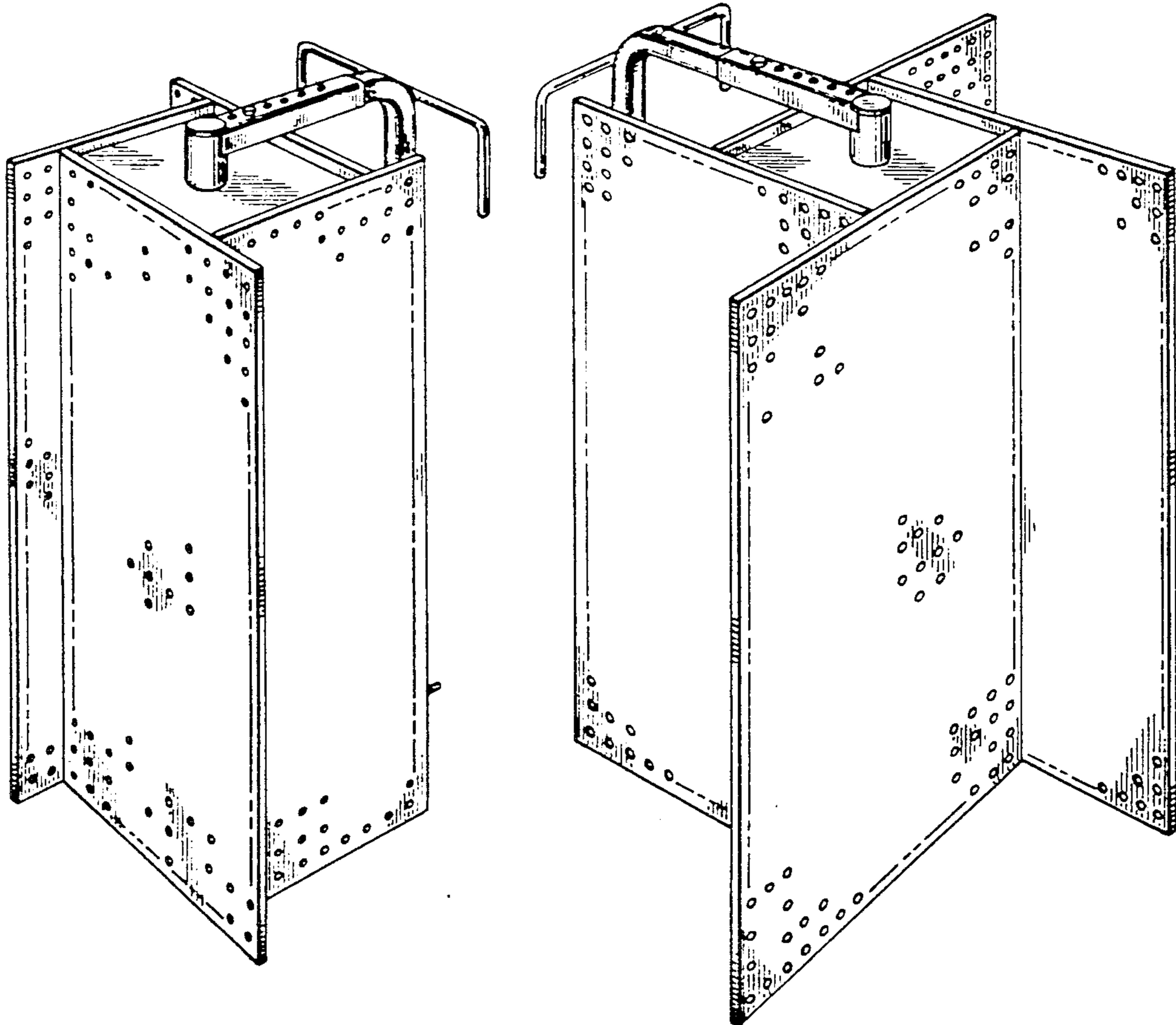
[57] CLAIM

The ornamental design for a rotatable merchandise display unit, as shown and described.

DESCRIPTION

FIG. 1 is a top, front, and right side perspective view of a rotatable merchandise display unit showing my new design;
 FIG. 2 is a left side elevational view thereof;
 FIG. 3 is a front elevational view thereof;
 FIG. 4 is a rear elevational view thereof;
 FIG. 5 is a top plan view thereof;
 FIG. 6 is a bottom plan view thereof;
 FIG. 7 is a top, front, and left side perspective view of an alternate embodiment thereof;
 FIG. 8 is a right side elevational view of the embodiment of FIG. 7;
 FIG. 9 is a front elevational view of the embodiment of FIG. 7;
 FIG. 10 is a rear elevational view of the embodiment of FIG. 7;
 FIG. 11 is a top plan view of the embodiment of FIG. 7; and
 FIG. 12 is a bottom plan view of the embodiment of FIG. 7.

The partial aperture pattern is understood to repeat uniformly over the surface of the pegboard portions.



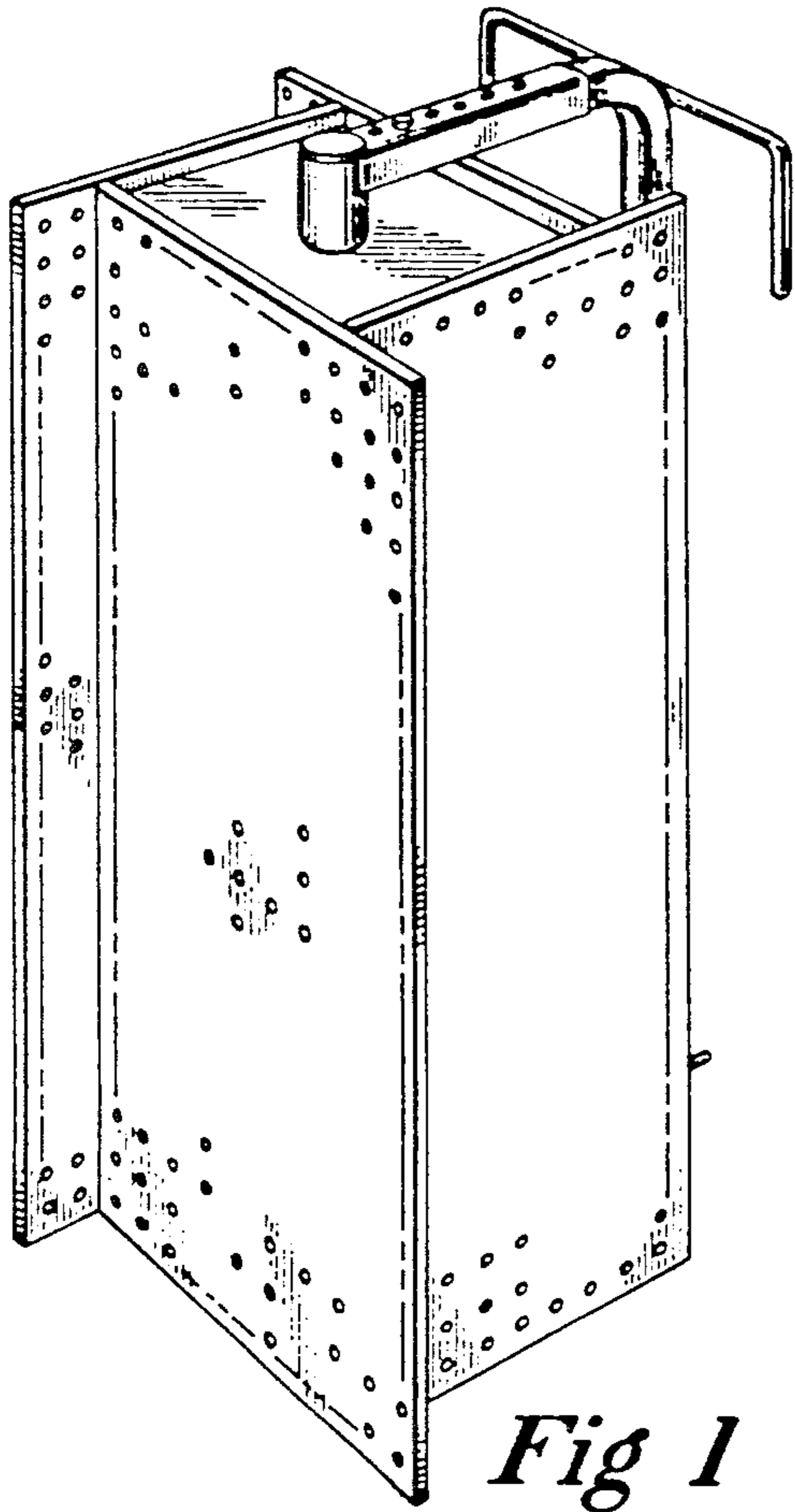


Fig 1

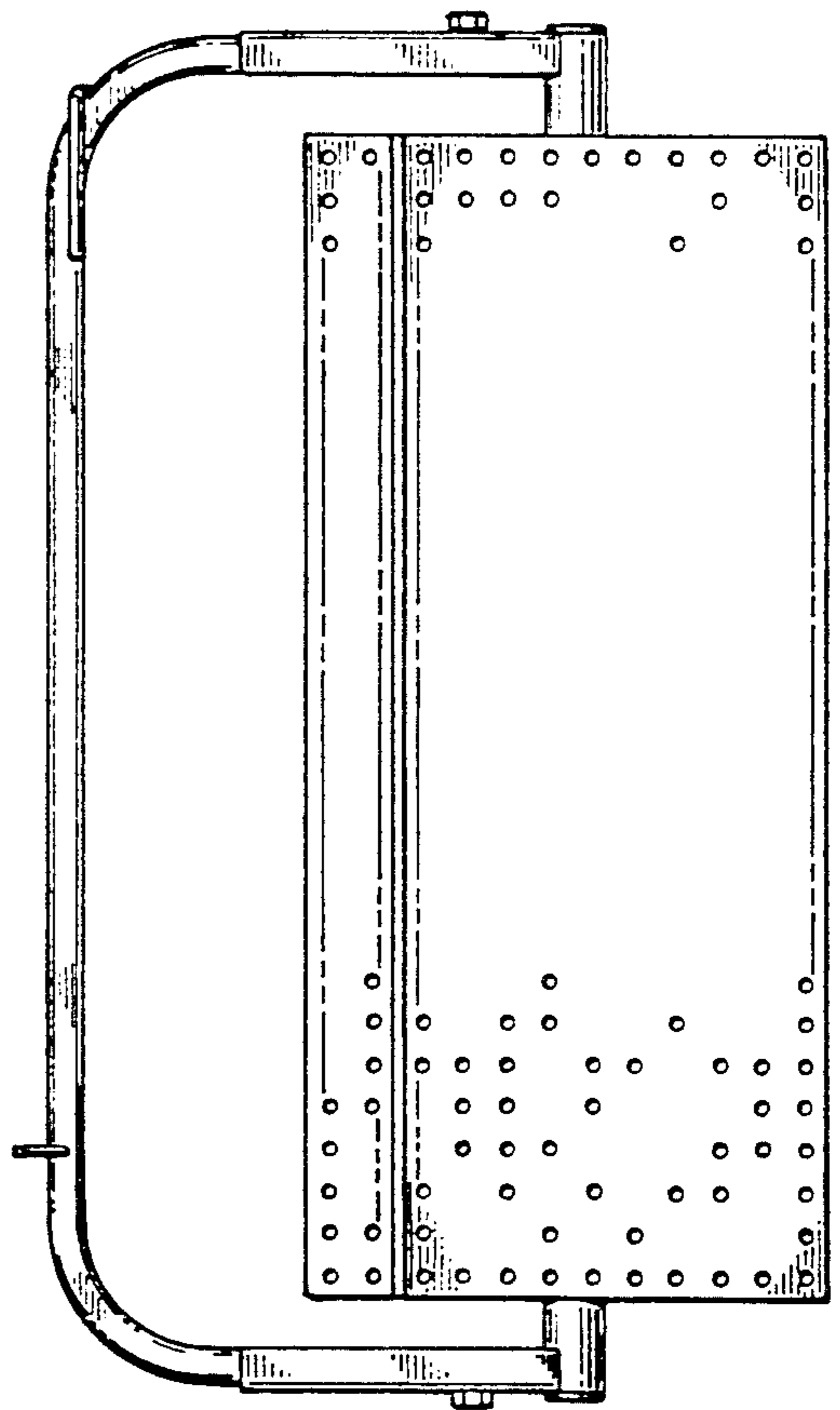


Fig 2

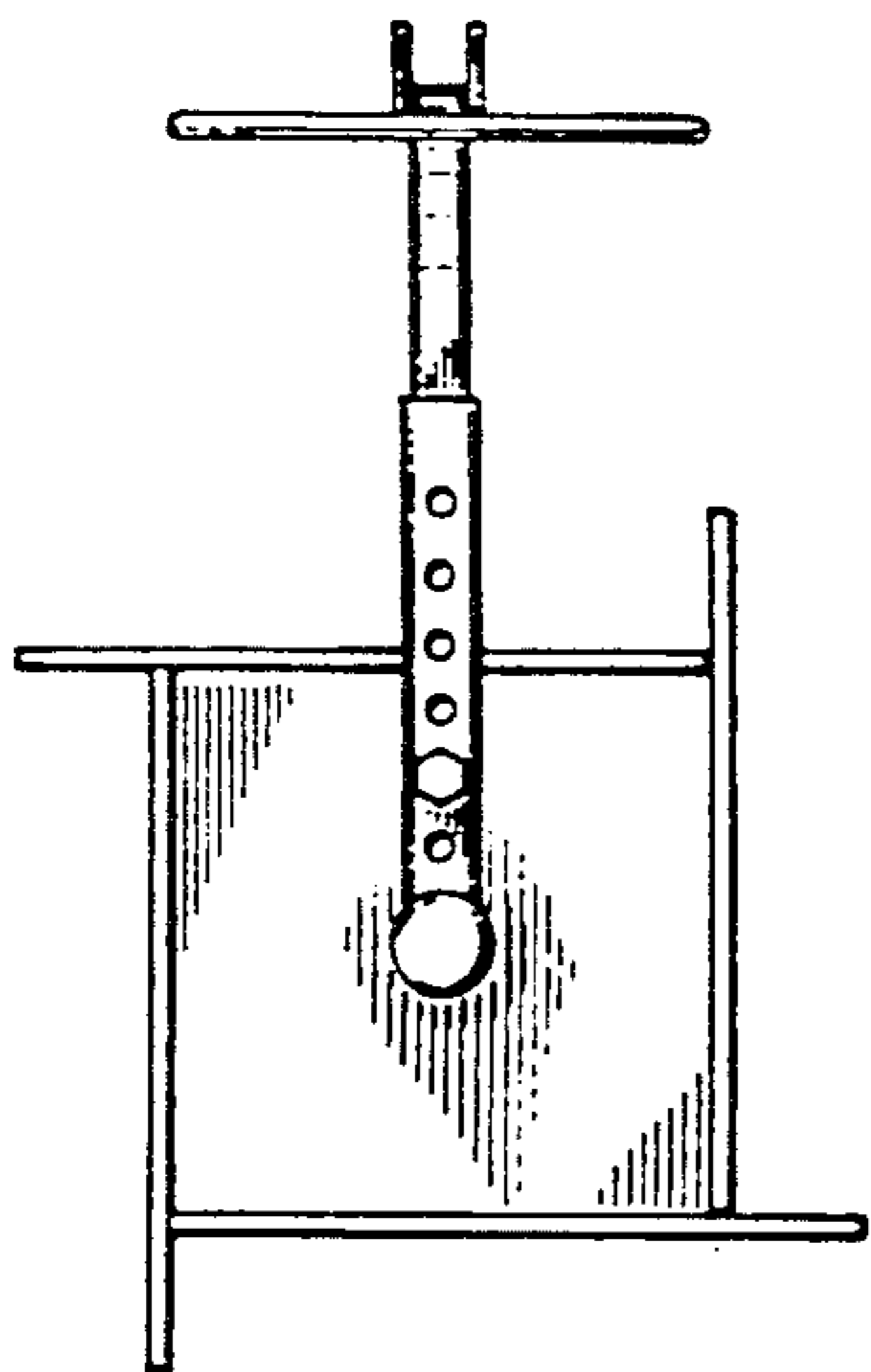


Fig 5

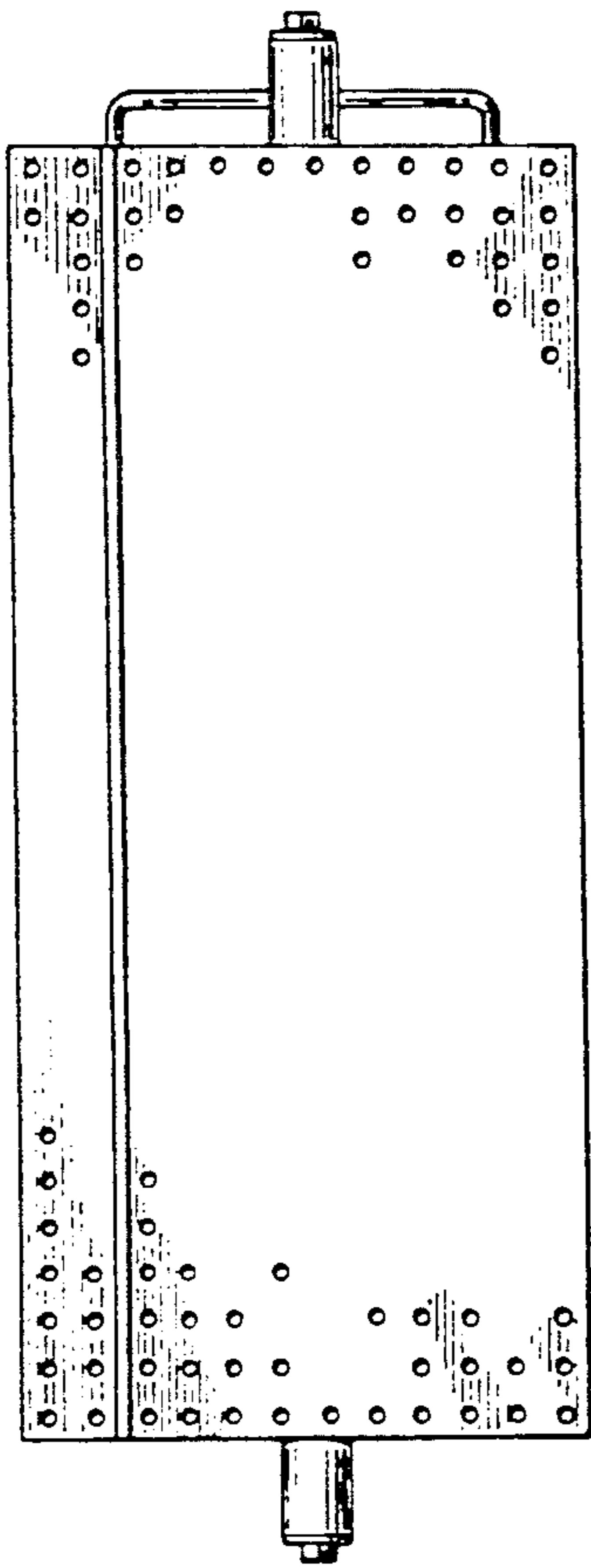


Fig 3

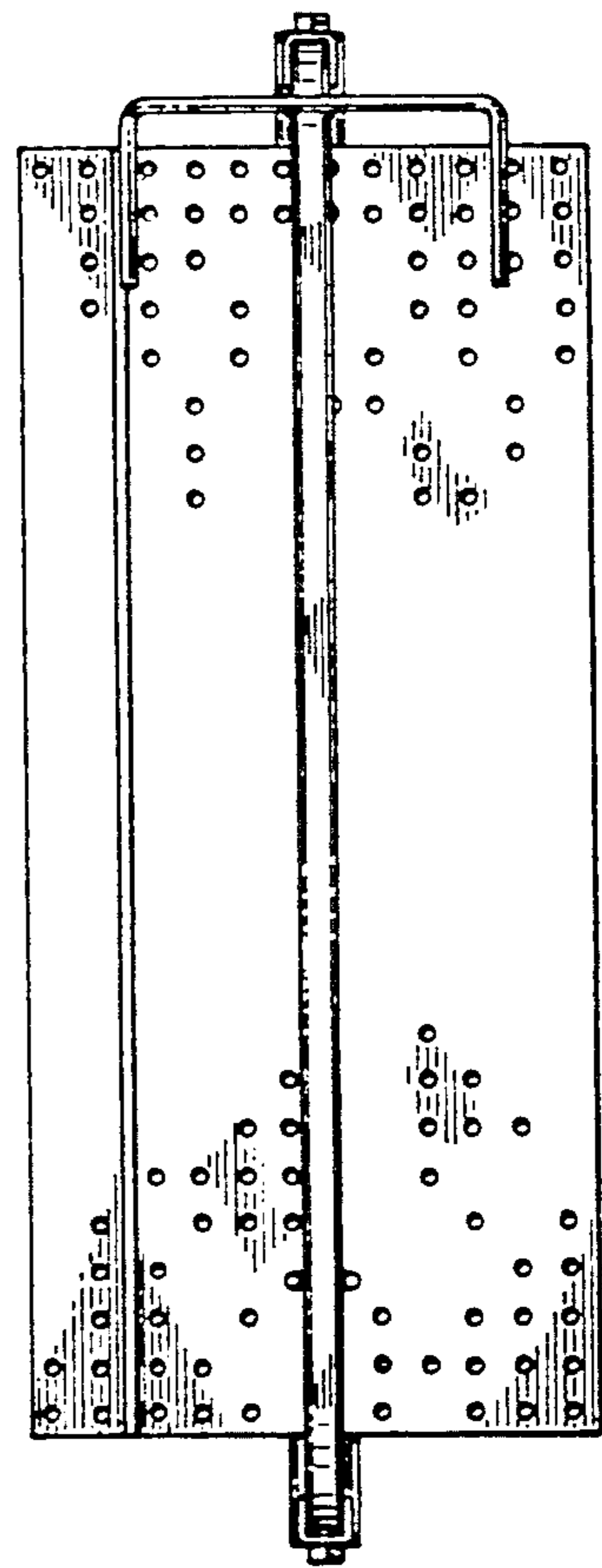


Fig 4

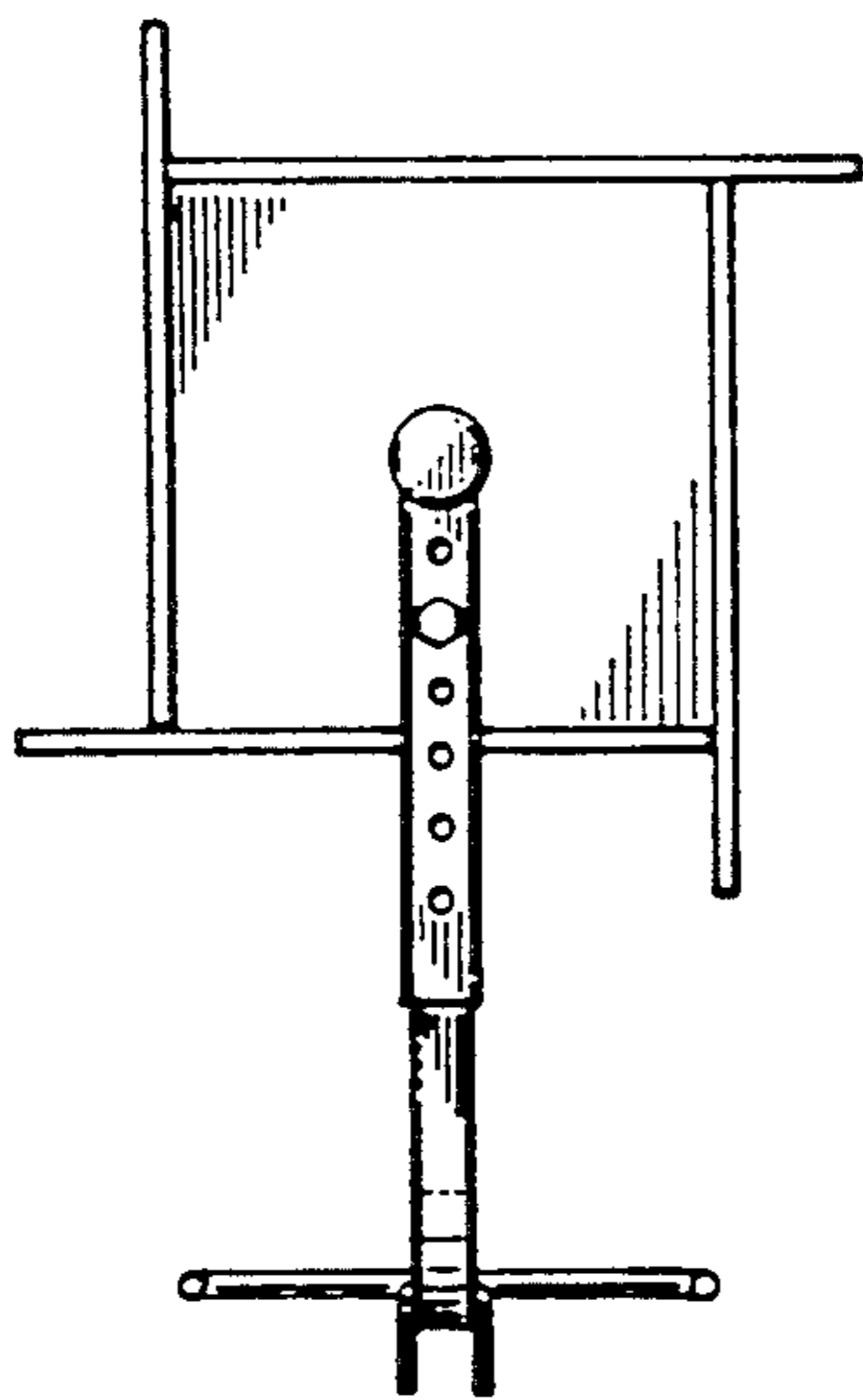


Fig 6

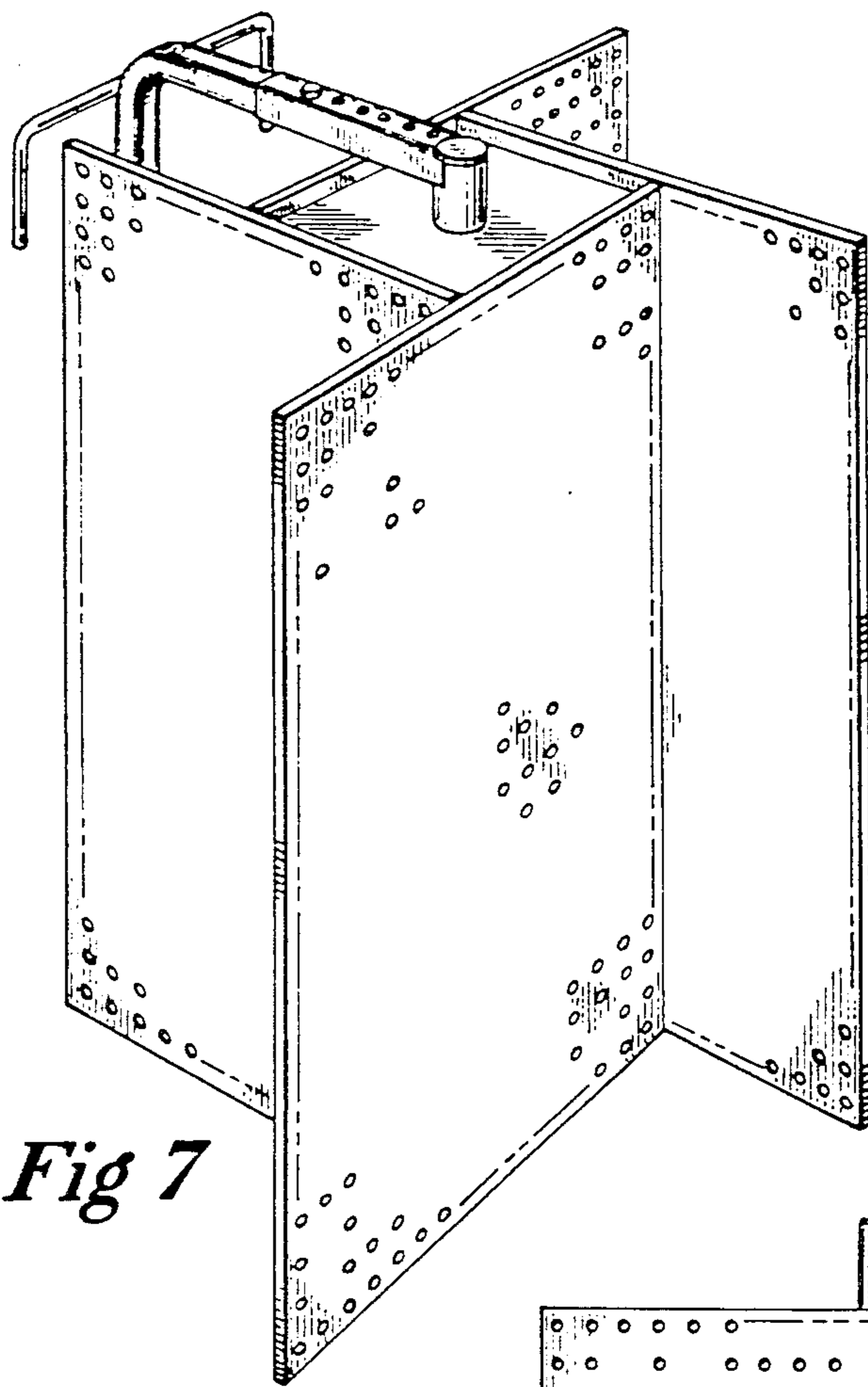


Fig 7

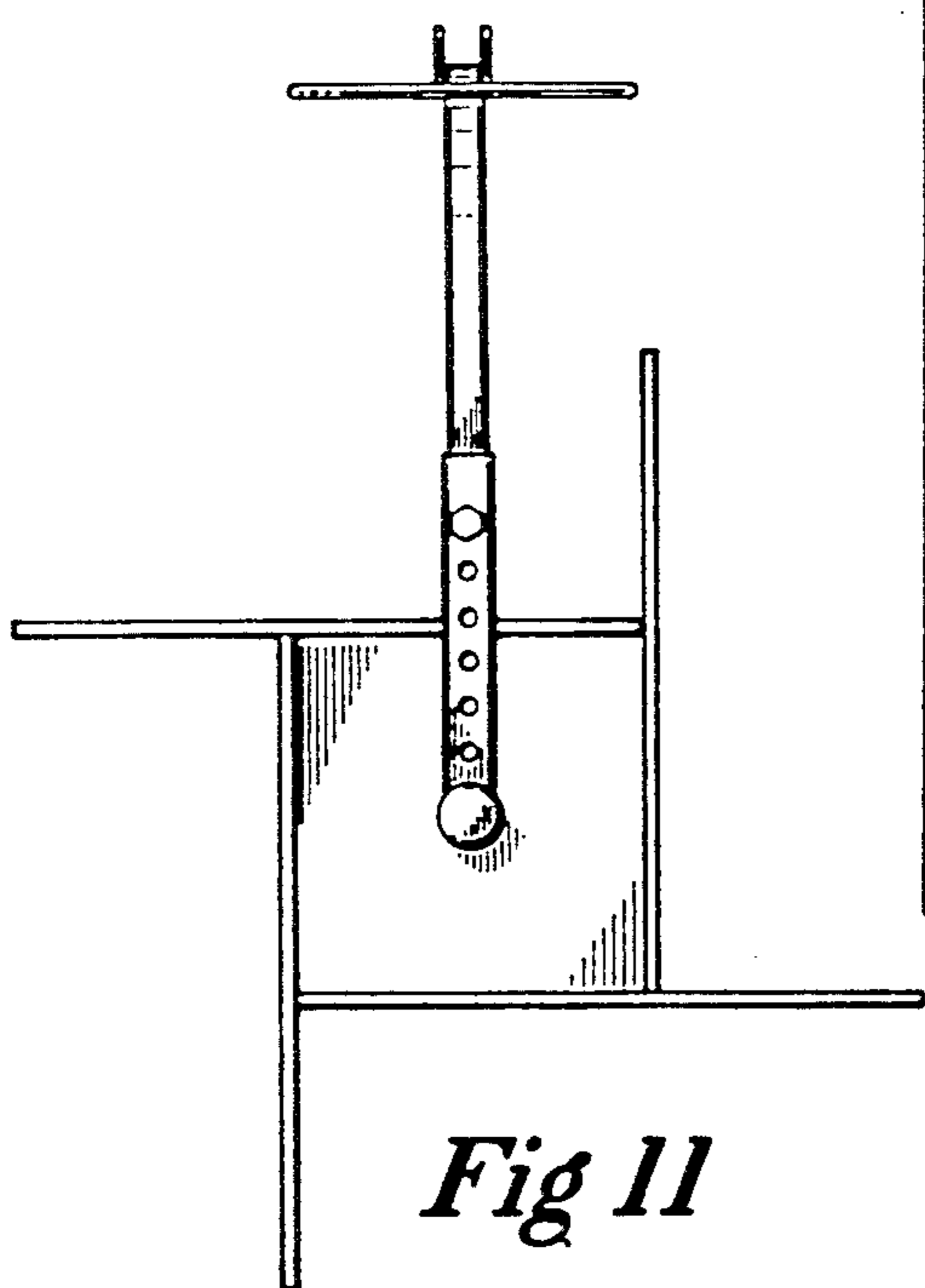


Fig 11

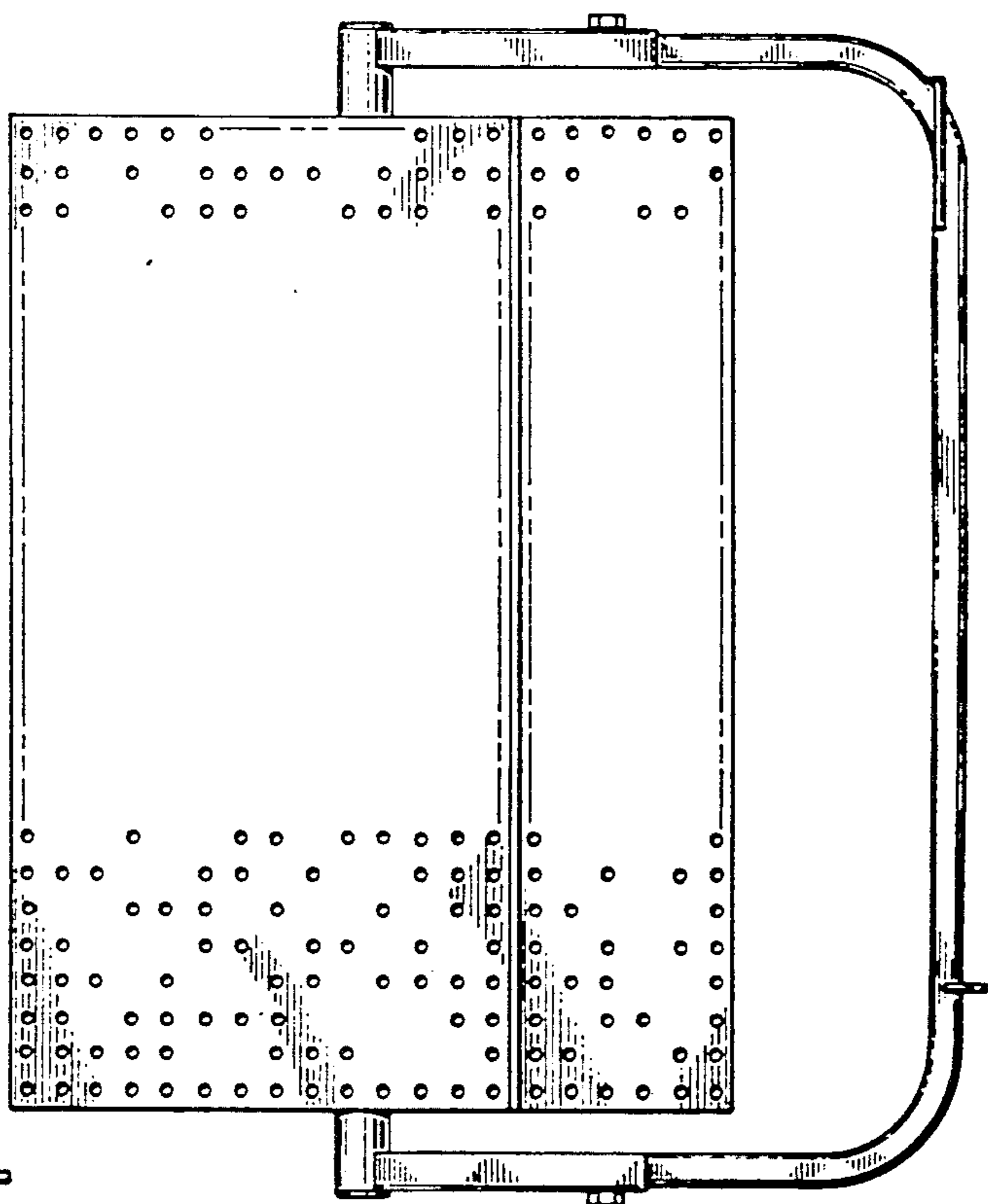


Fig 8

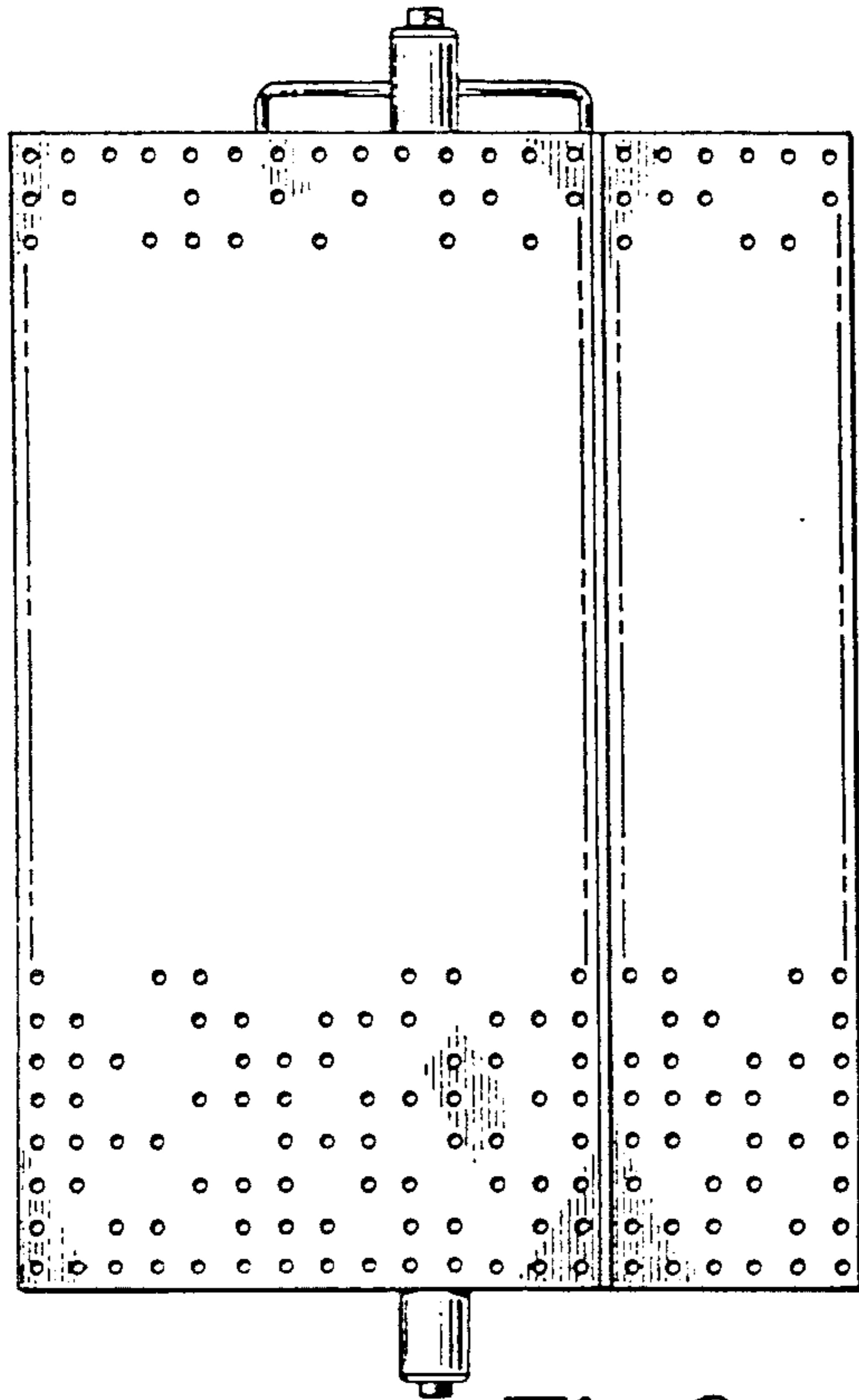


Fig 9

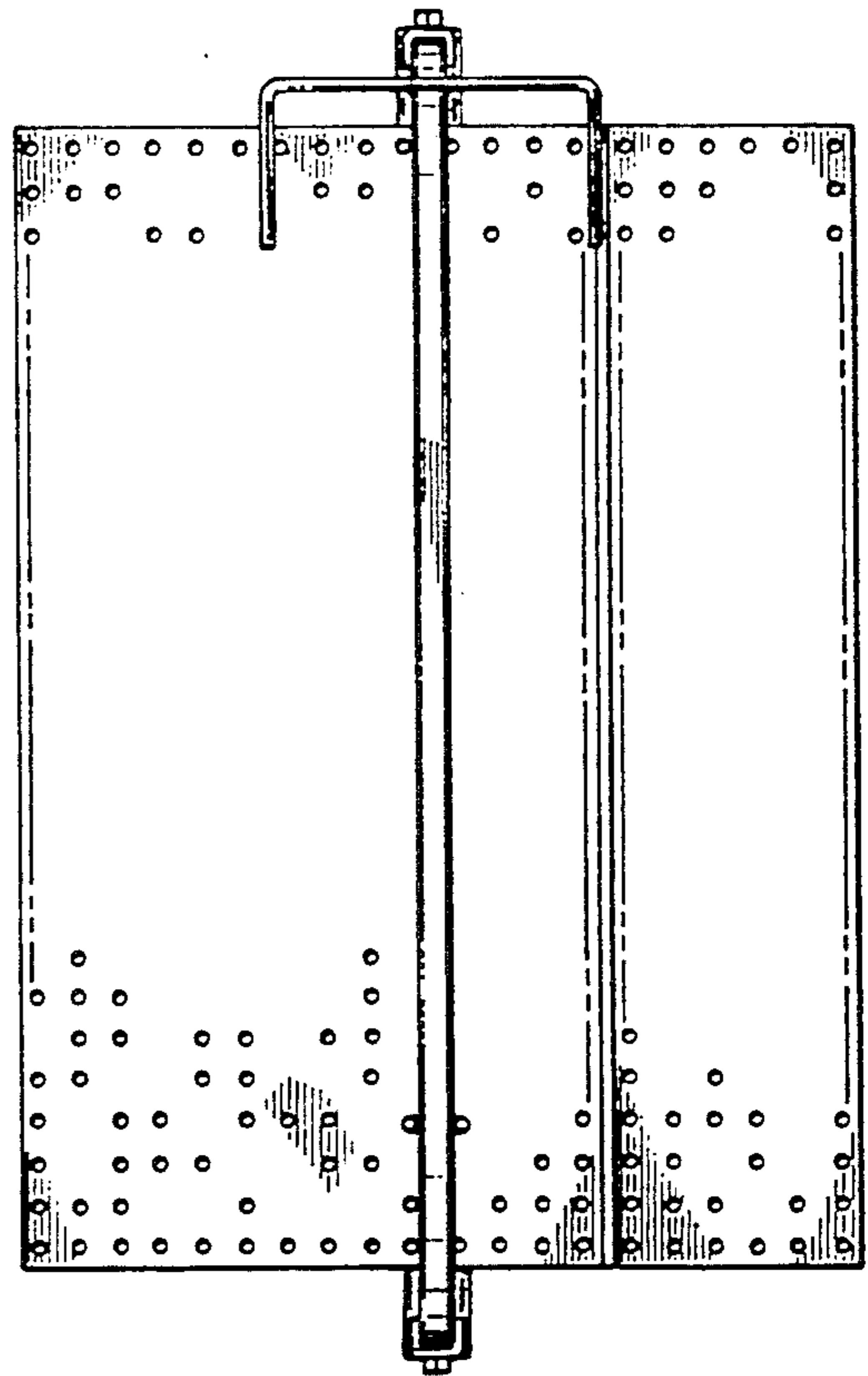


Fig 10

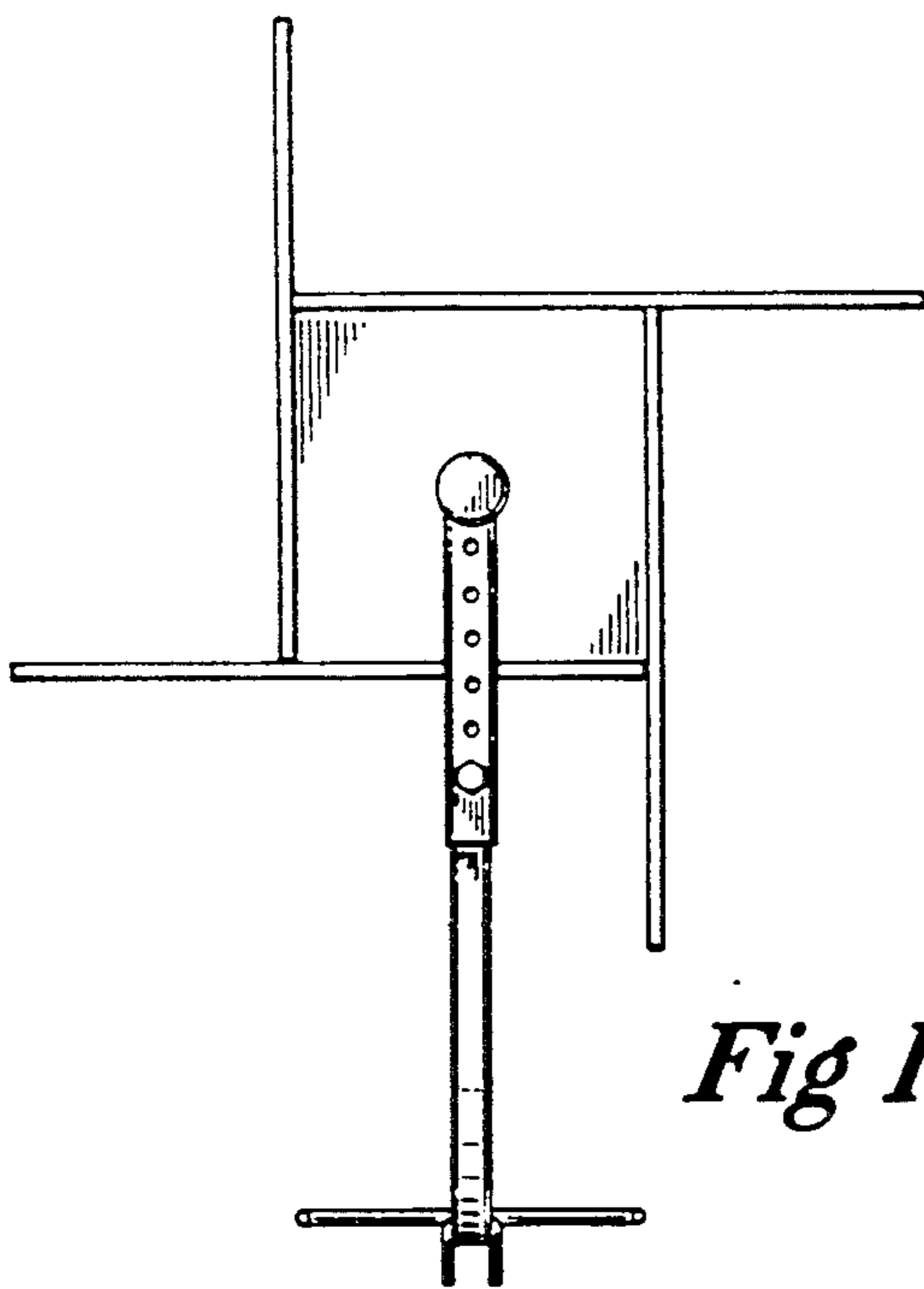


Fig 12