



US00D327185S

# United States Patent [19]

[11] Patent Number: **Des. 327,185**

Ryaa

[45] Date of Patent: **\*\* Jun. 23, 1992**

[54] **TOY BOX**

[75] Inventor: **Jan Ryaa, Billund, Denmark**

[73] Assignee: **Interlego A.G., Baar, Switzerland**

[\*\*] Term: **14 Years**

[21] Appl. No.: **443,276**

[22] Filed: **Nov. 29, 1989**

[52] U.S. Cl. .... **D6/432; D6/341; D6/396; D6/434; D6/440; D6/446; D6/448; D21/108**

[58] Field of Search ..... **D6/396, 397, 400, 409, D6/411, 412, 413, 414, 415, 422, 428, 429, 430, 432, 434, 435, 436, 437, 438, 440, 445, 446, 448; 312/244; D9/341; 218/45.34, 165, 188.6**

[56] **References Cited**

### U.S. PATENT DOCUMENTS

11,186	8/1884	Burton	.....	220/553
D. 212,402	10/1968	Rousse	.....	D9/341 X
D. 212,480	10/1968	Mead	.....	D9/341 X
D. 239,156	3/1976	McDonough	.....	D9/341 X
D. 278,539	4/1985	Josephson et al.	.....	D9/341 X
D. 291,037	7/1987	Handler et al.	.....	D6/446 X

D. 301,260	5/1989	McLaughlin et al.	.....	D21/108
D. 308,609	6/1990	Handler et al.	.....	D6/436
D. 308,705	6/1990	Olsen	.....	D21/108
D. 317,477	6/1991	Poulsen	.....	D21/108
2,718,324	9/1955	Irvin	.....	217/5
3,976,193	8/1976	Dogliotti	.....	220/555 X
4,319,683	3/1982	Correa, III	.....	206/372 X

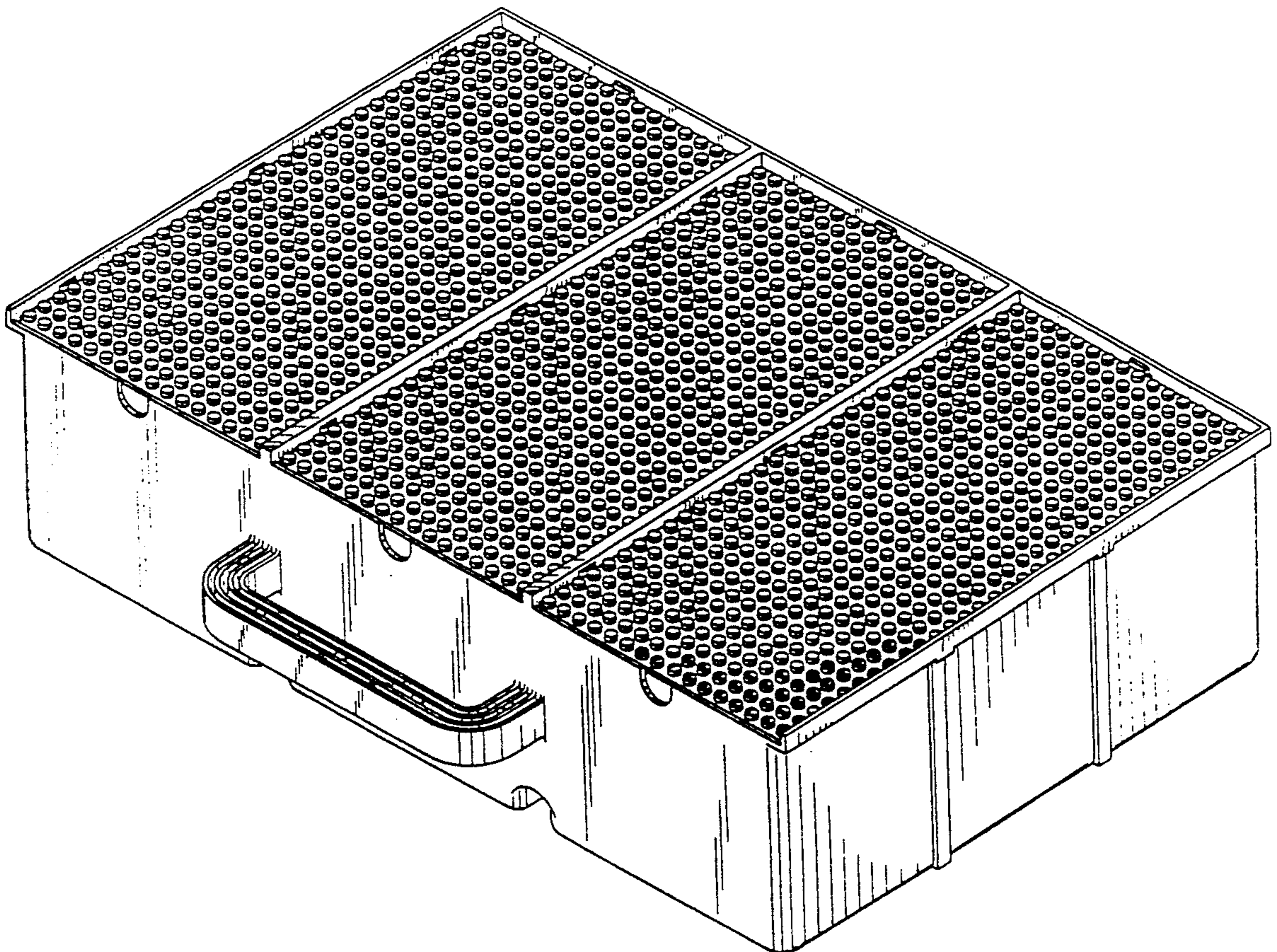
*Primary Examiner*—Bruce W. Dunkins  
*Assistant Examiner*—Monica A. Hannon  
*Attorney, Agent, or Firm*—Kane, Dalsimer, Sullivan, Kurucz, Eisele and Richard

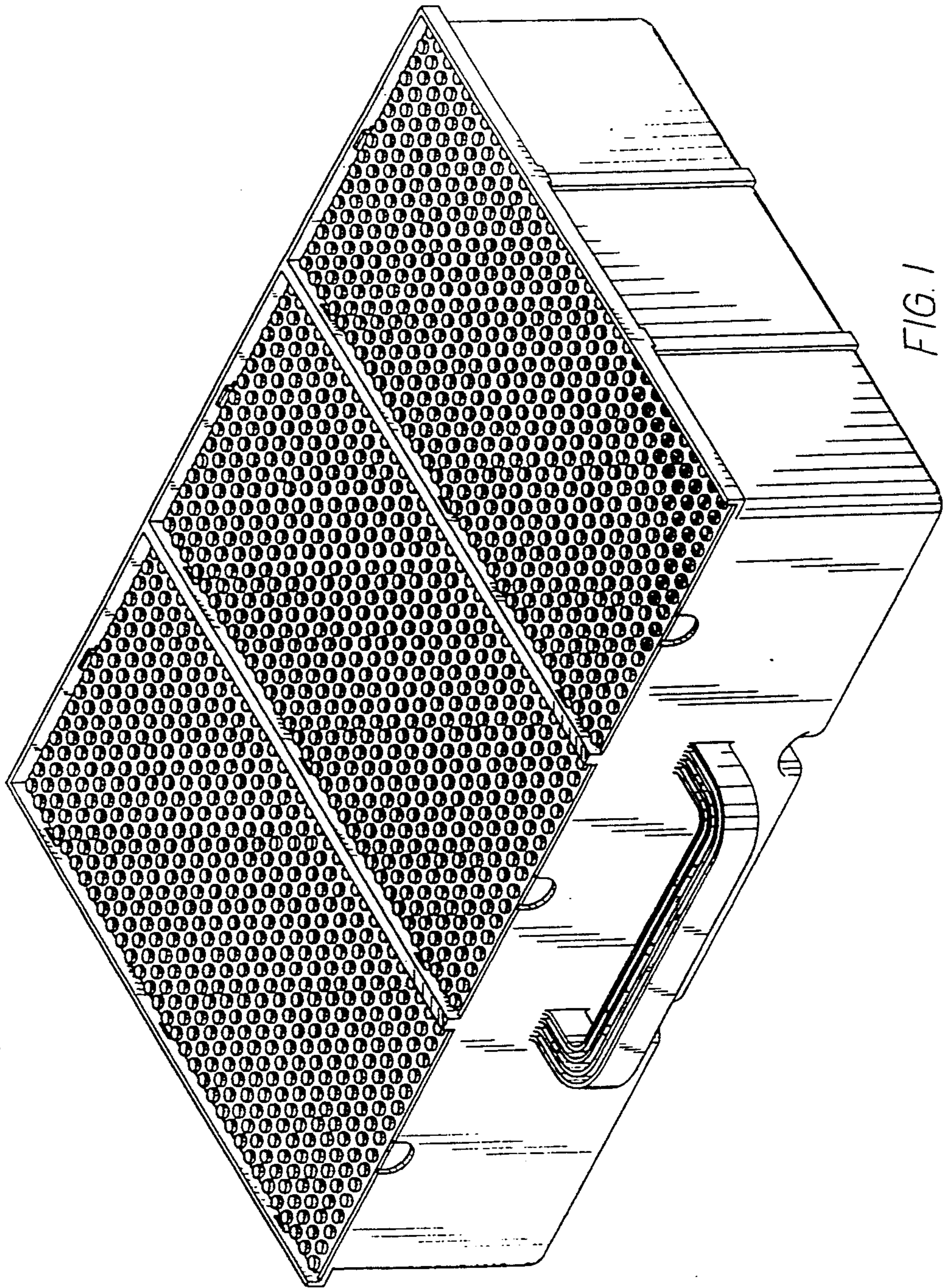
### [57] CLAIM

The ornamental design for a toy box, as shown and described.

### DESCRIPTION

FIG. 1 is a top perspective view of a toy box showing my new design;  
FIG. 2 is a bottom perspective view thereof;  
FIG. 3 is a front elevational view thereof;  
FIG. 4 is a right side elevational view, the left side being a mirror image thereof;  
FIG. 5 is a rear elevational view thereof;  
FIG. 6 is a top plan view thereof; and,  
FIG. 7 is a bottom plan view thereof.





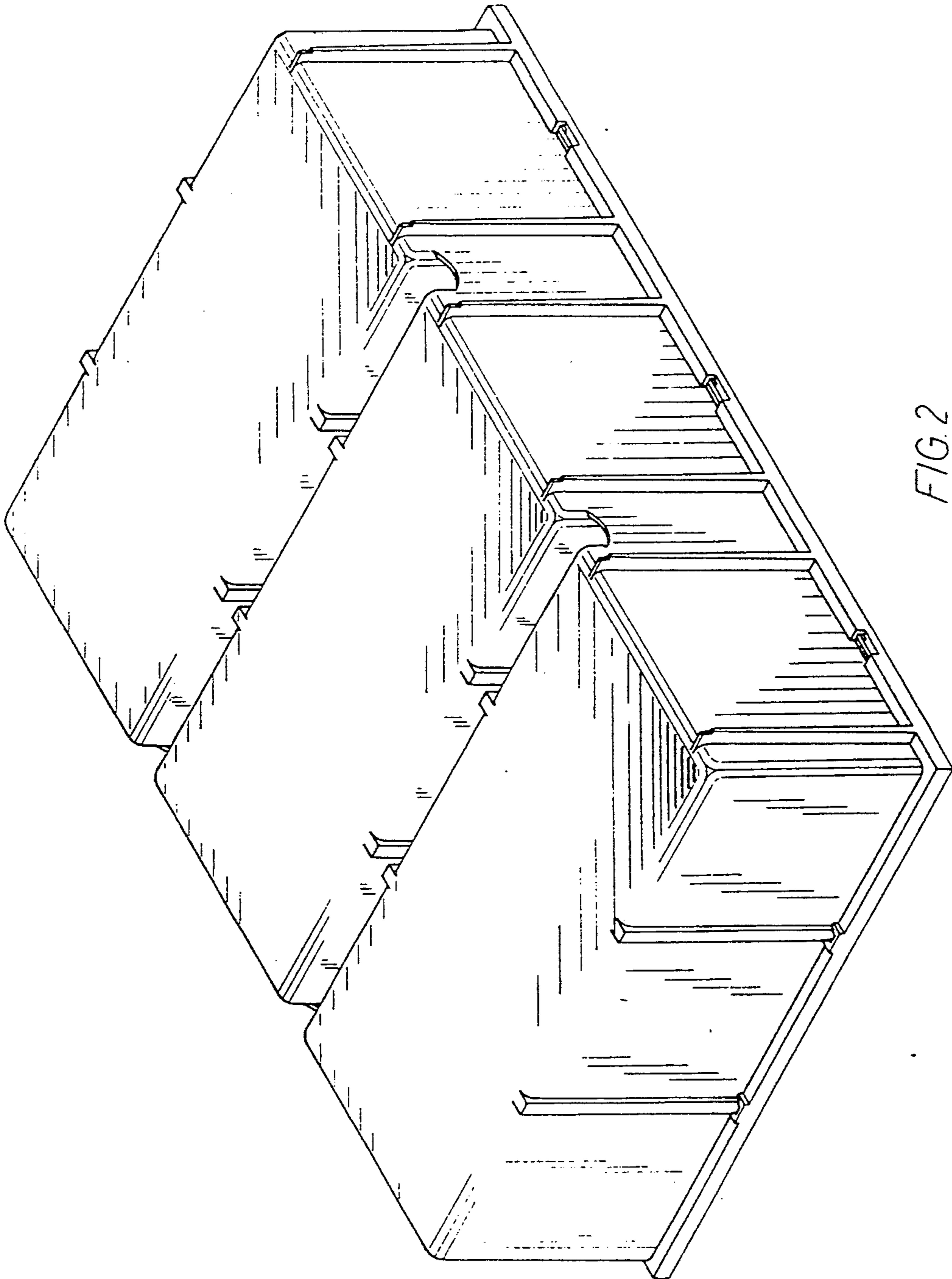


FIG. 2

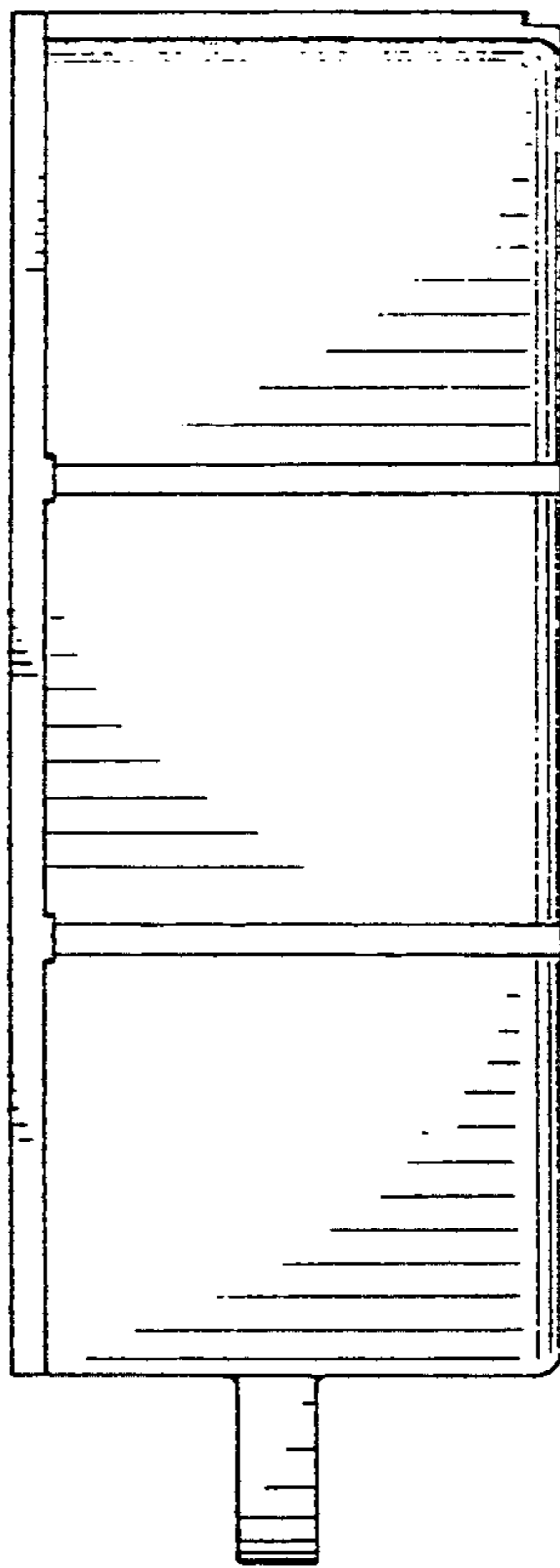


FIG. 4

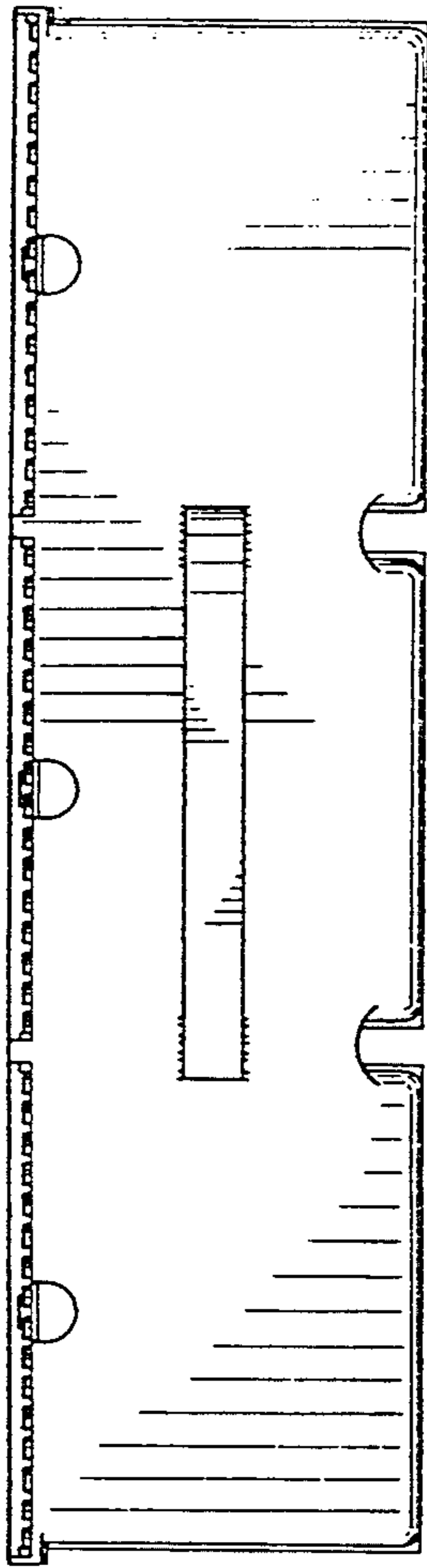


FIG. 3

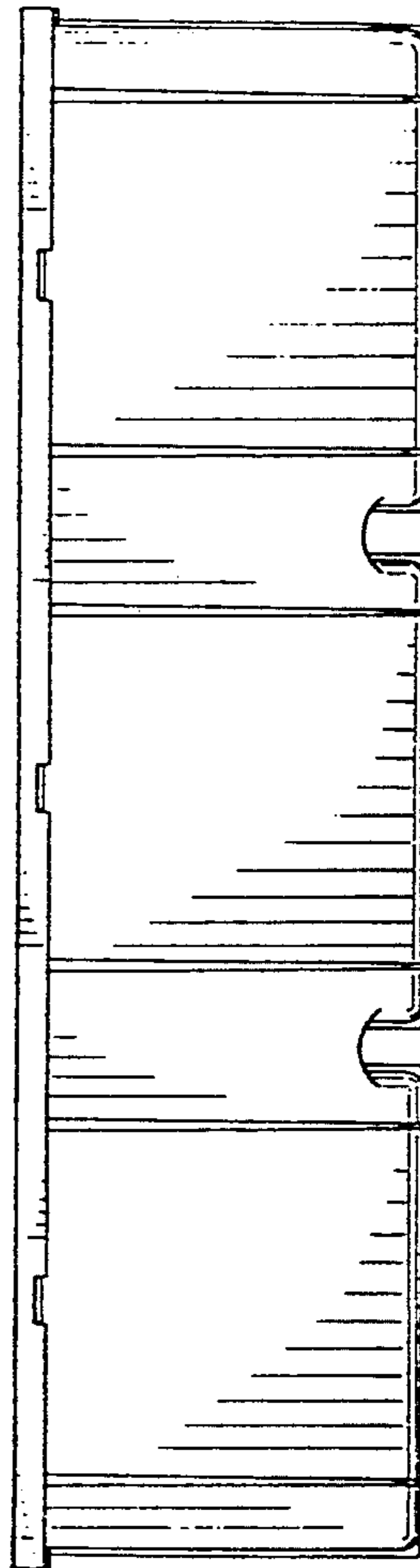


FIG. 5

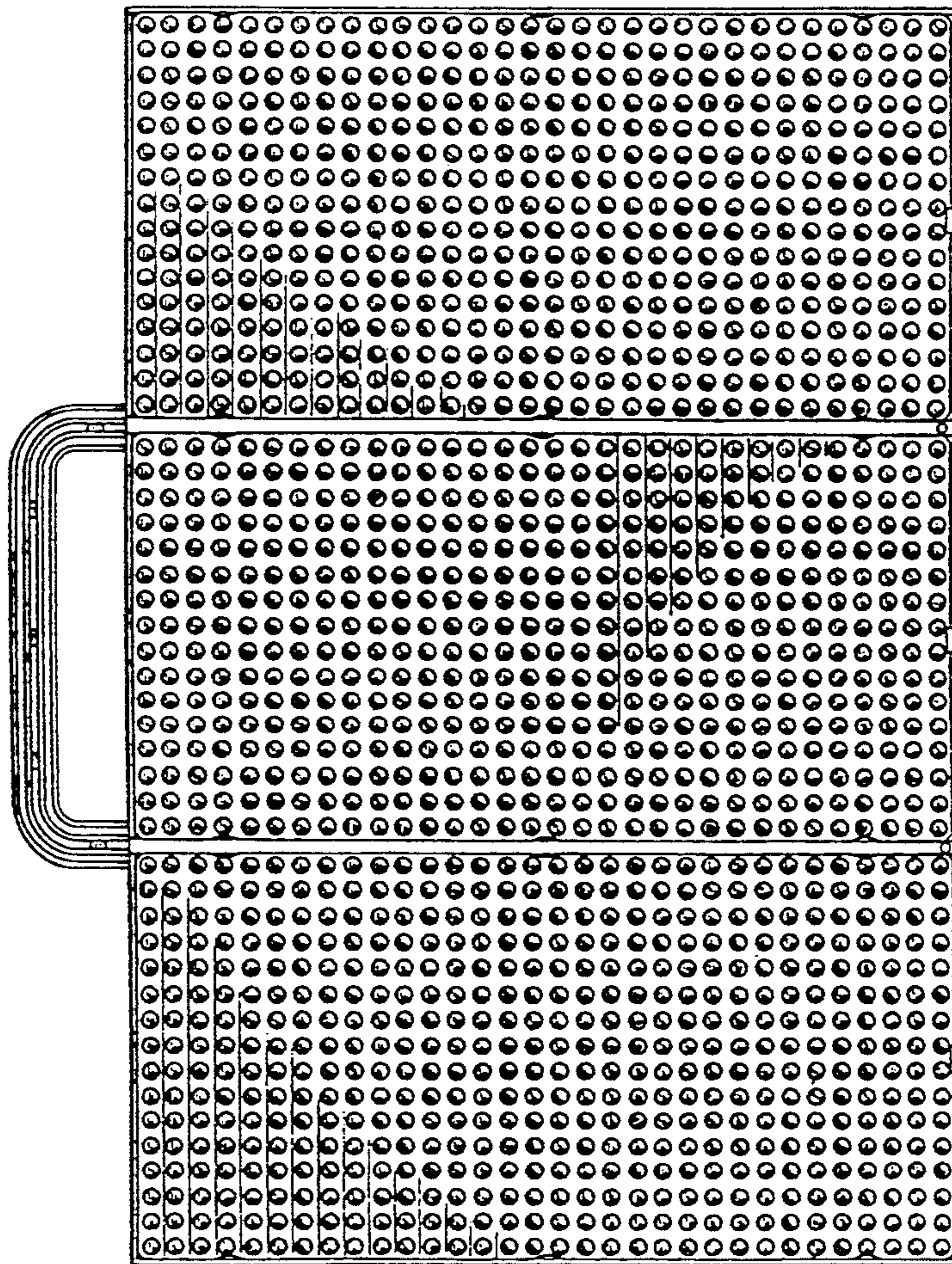


FIG. 6

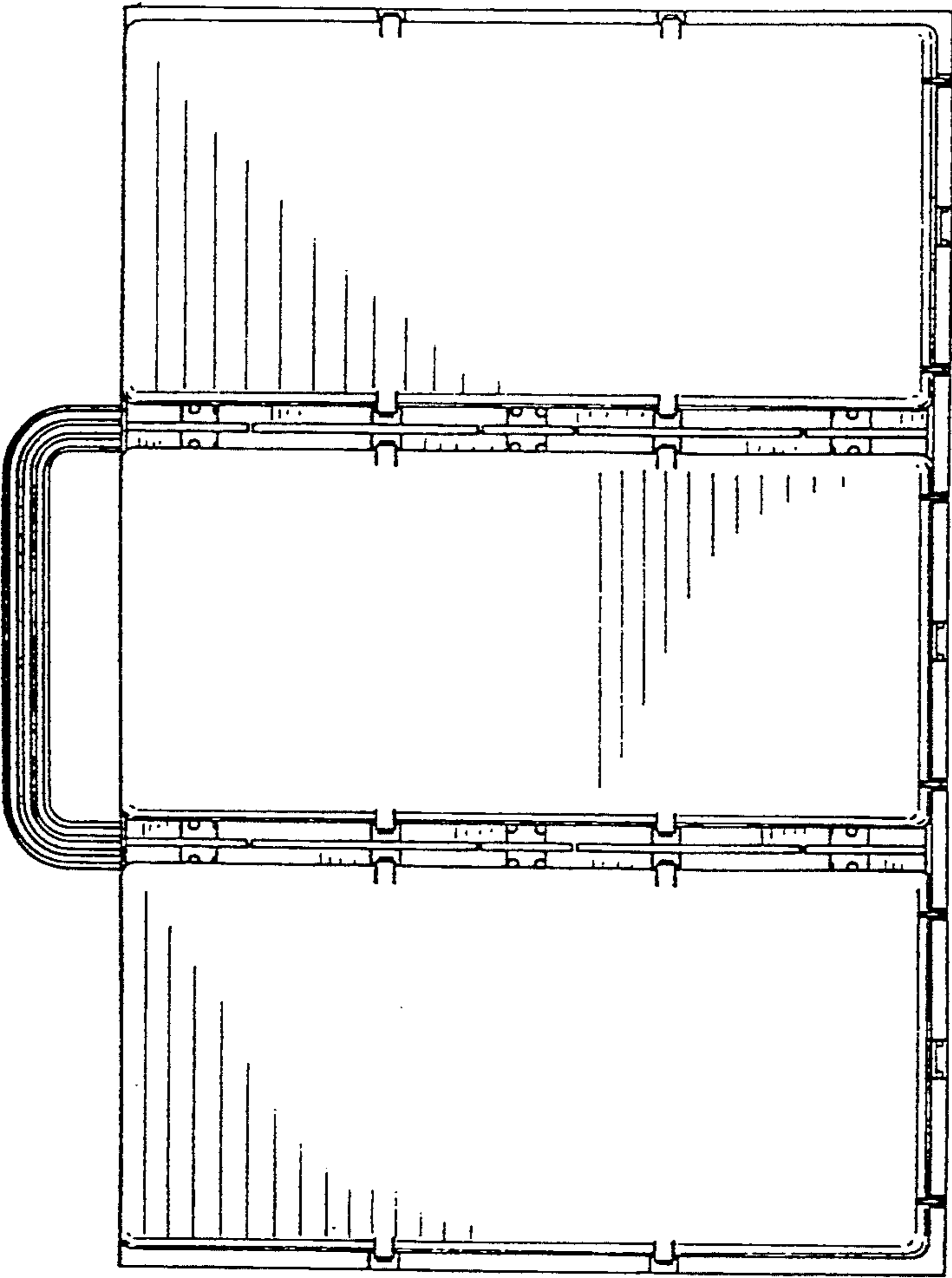


FIG. 7