



US00D327184S

United States Patent [19]

[11] Patent Number: **Des. 327,184**

Rosen

[45] Date of Patent: **** Jun. 23, 1992**

[54] **DESK**

[75] Inventor: **Leon Rosen, Scarsdale, N.Y.**

[73] Assignee: **The Pace Collection, Inc., Long Island City, N.Y.**

[**] Term: **14 Years**

[21] Appl. No.: **524,179**

[22] Filed: **May 15, 1990**

[52] U.S. Cl. **D6/427**

[58] Field of Search **D6/422-428, D6/482, 484; 312/194-196, 204; 108/59, 60, 61, 64**

[56] **References Cited**

U.S. PATENT DOCUMENTS

D. 109,317	4/1938	Ericson	D6/427
D. 142,121	8/1945	Ristenpart	D6/422
D. 149,418	4/1948	Jones	D6/427
D. 151,111	9/1948	Westlake	D6/427
D. 164,425	9/1951	Jones	D6/427
D. 168,027	10/1952	Garrett	D6/427
D. 315,994	4/1991	Bayley	D6/427
3,992,067	11/1976	Kane	312/194

OTHER PUBLICATIONS

Interiors, Jan. 1971, p. 6; metal desk by Frank Lloyd Wright, center right on page.

Design #425, May 1984, 'Furnishings Buyers' Guide' p. 7; item #1—desk top of page.

Schoner Wohnen Jan. 1989, p. 71; curved top desk bottom left on page.

Primary Examiner—Carmen H. Vales-Lado
Attorney, Agent, or Firm—Darby & Darby

[57] **CLAIM**

The ornamental design for a desk, as shown and described.

DESCRIPTION

FIG. 1 is a top perspective view of a desk showing my new design;

FIG. 2 is a front elevational view thereof;

FIG. 3 is a right side elevational view thereof;

FIG. 4 is a top plan view thereof;

FIG. 5 is a rear elevational view thereof;

FIG. 6 is a left side elevational view thereof; and,

FIG. 7 is a bottom plan view.

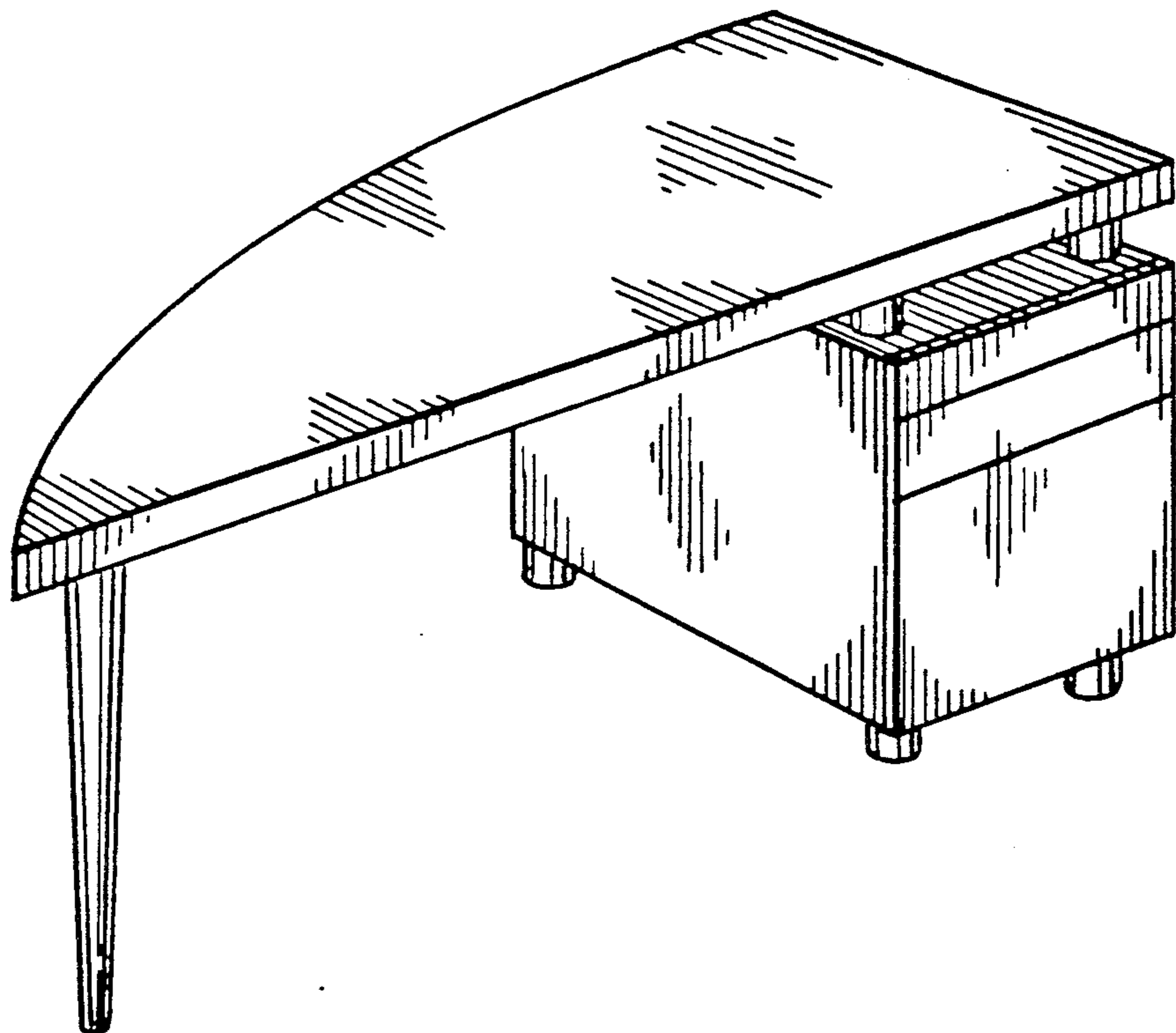


FIG. 1

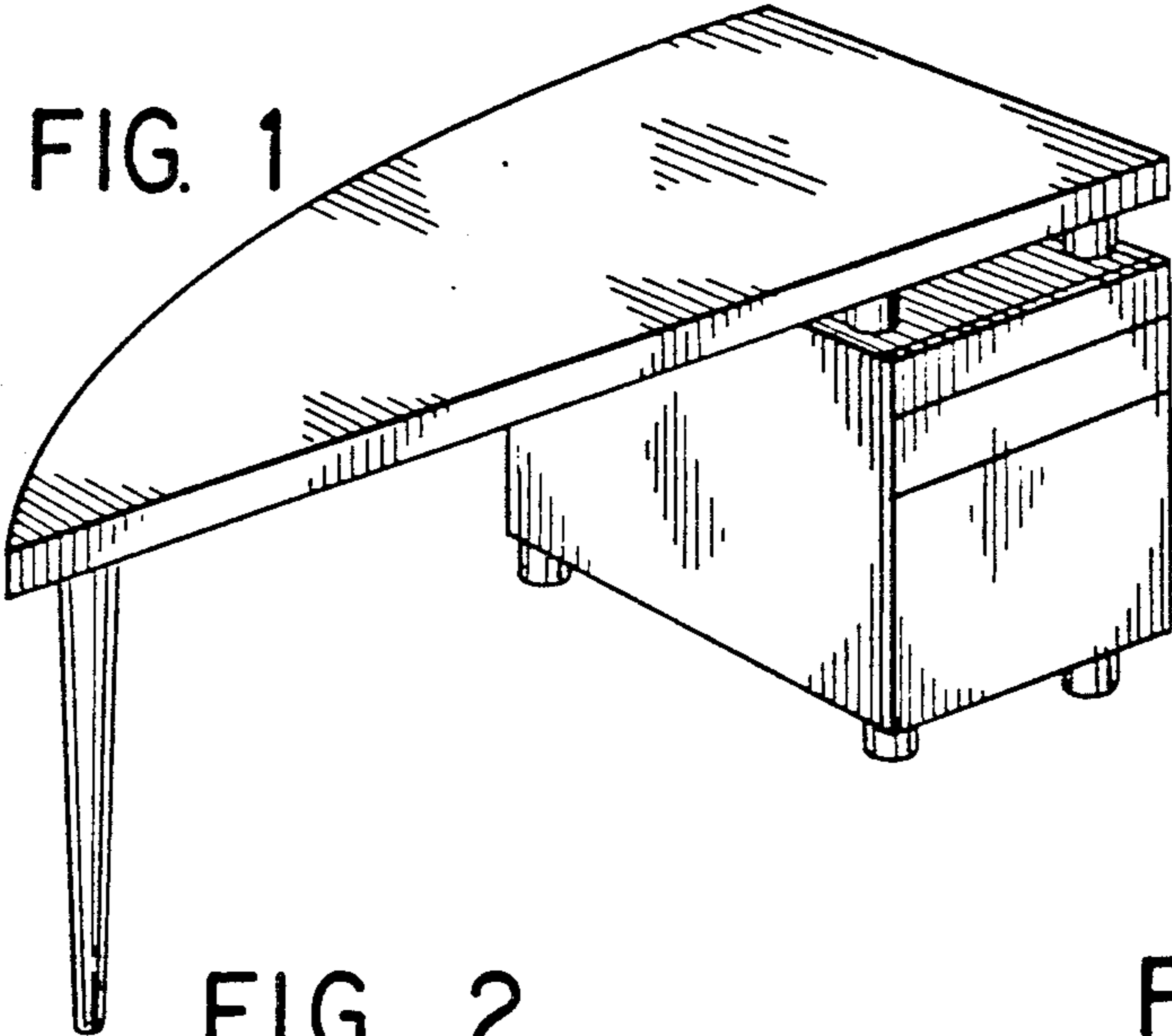


FIG. 2

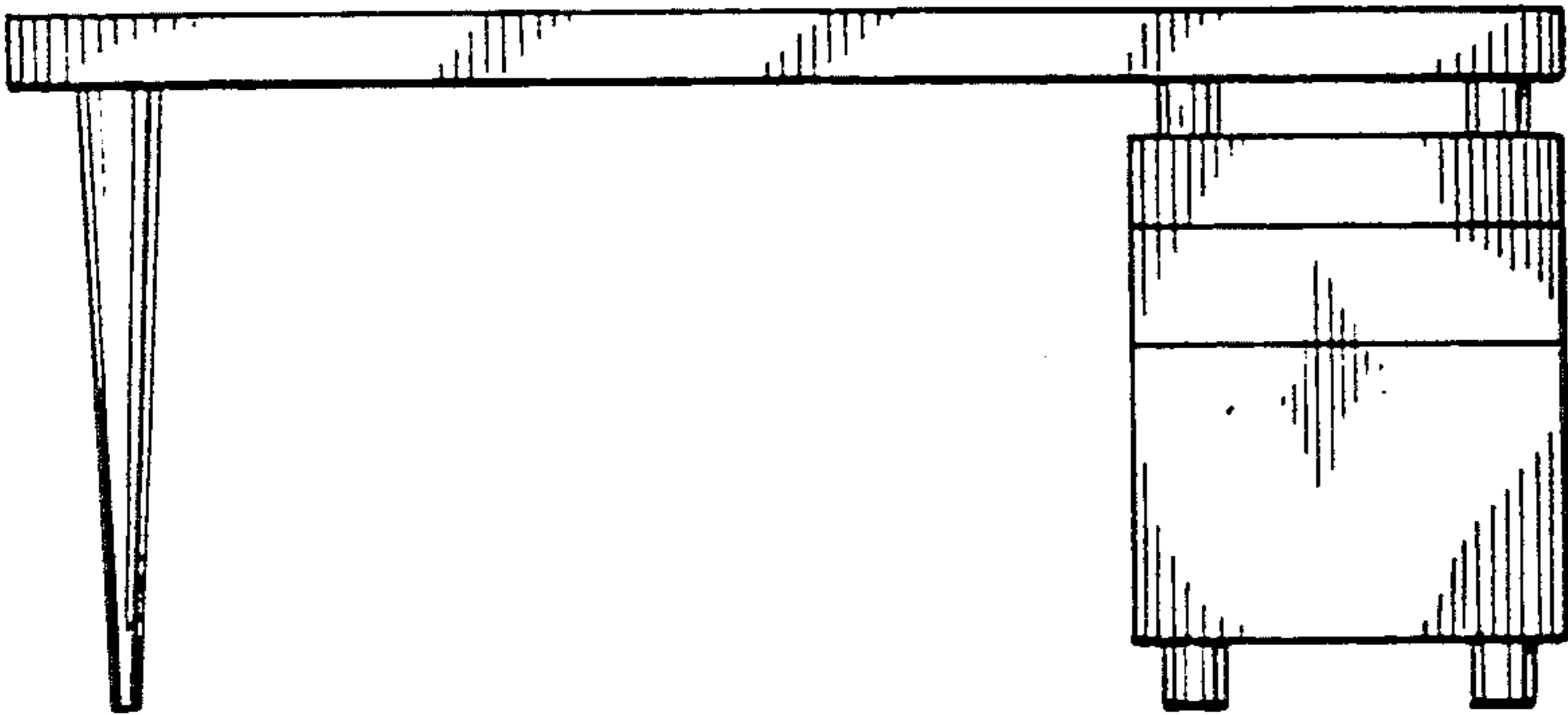


FIG. 3

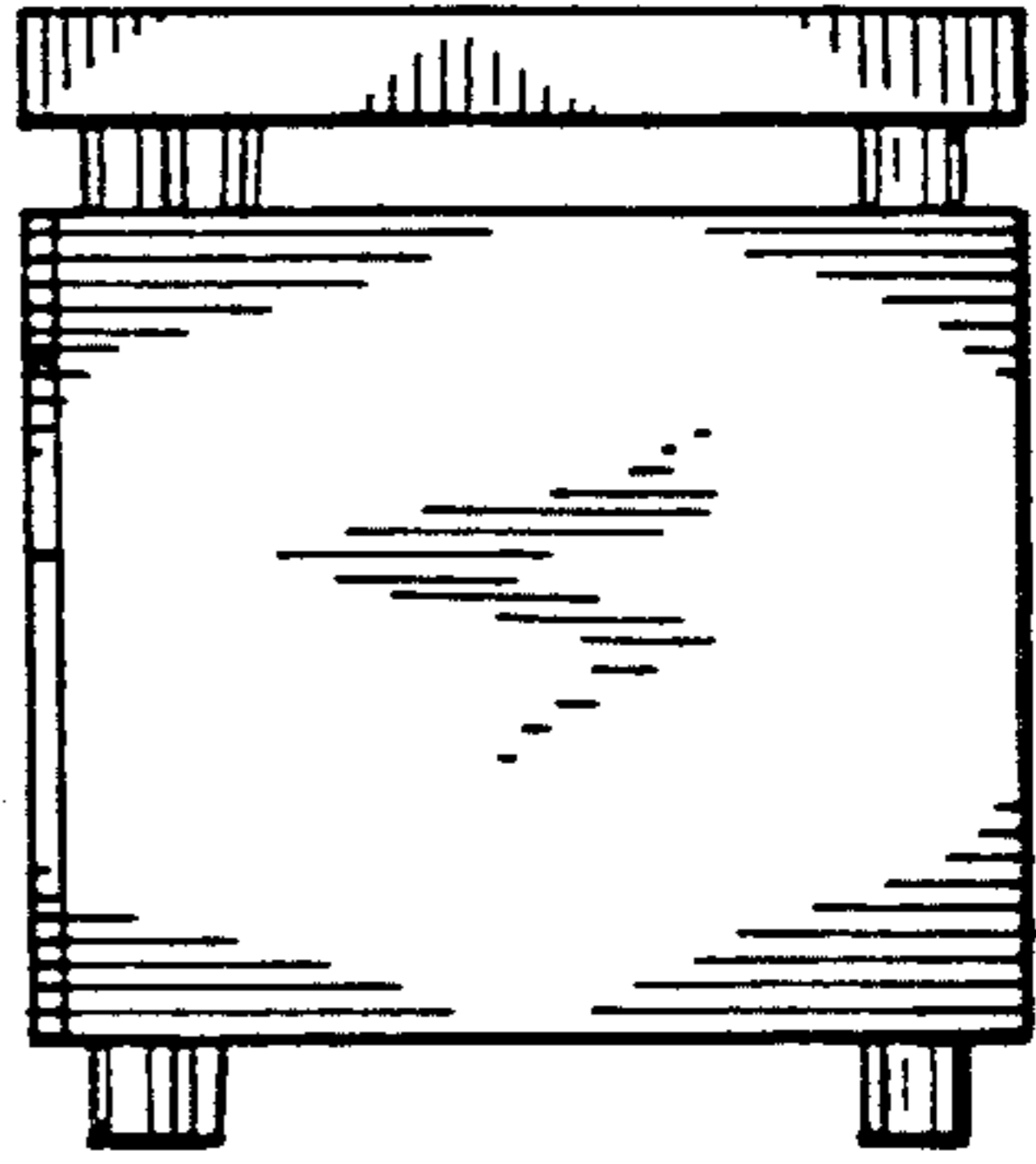


FIG. 4

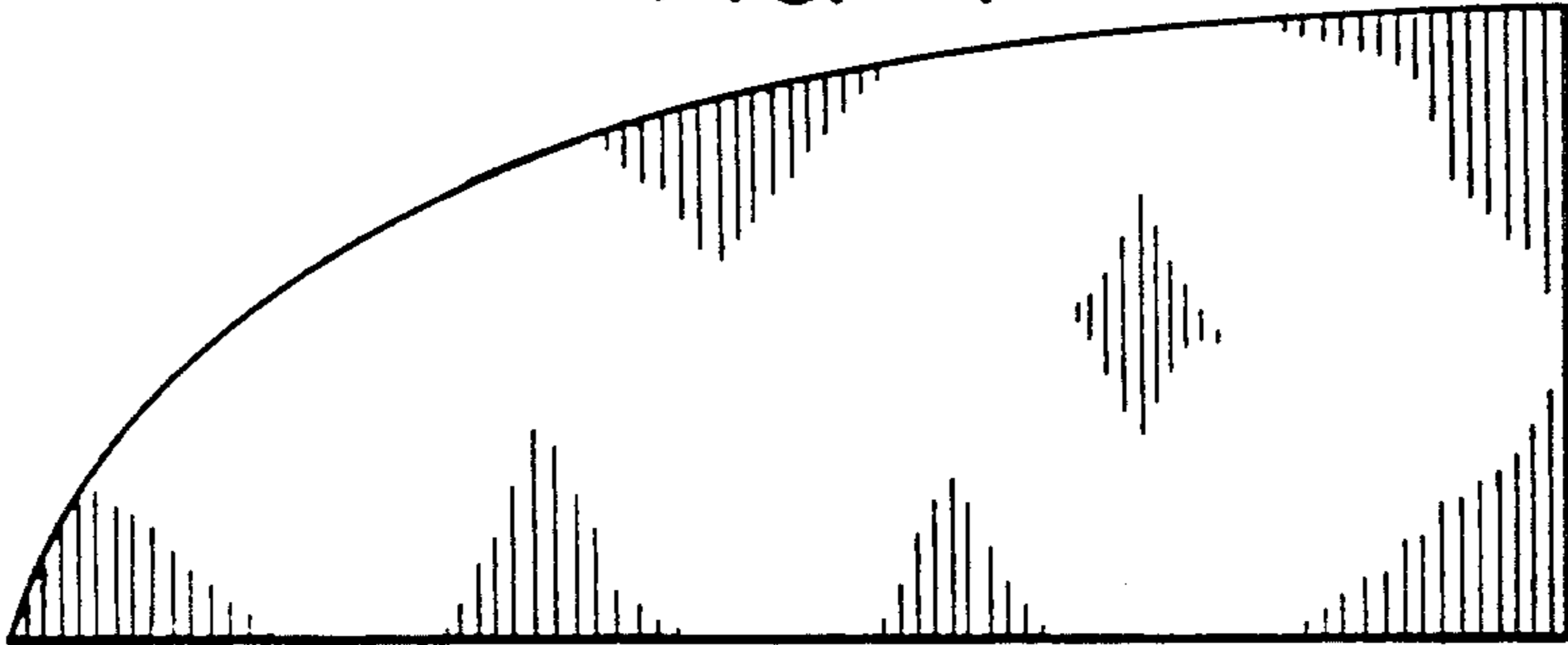


FIG. 5

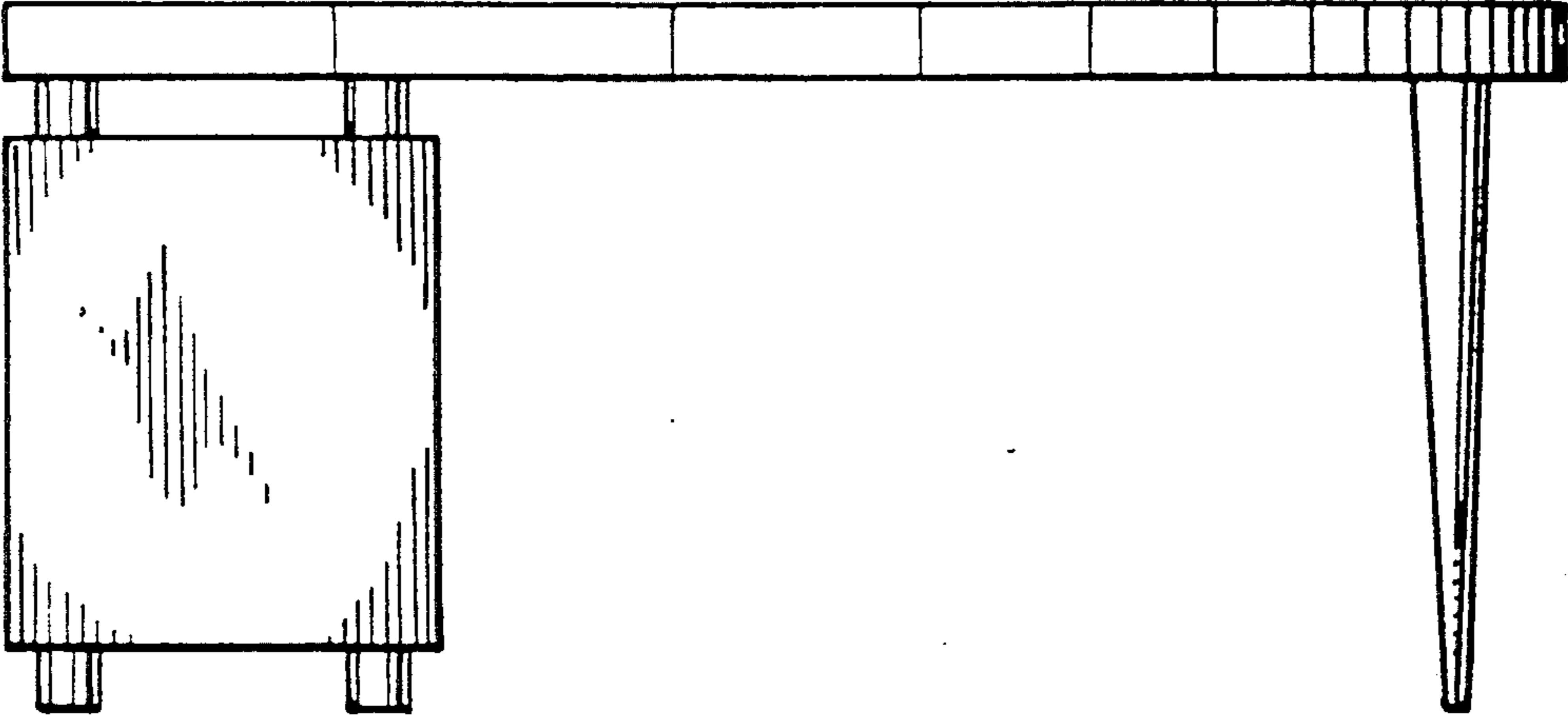


FIG. 6

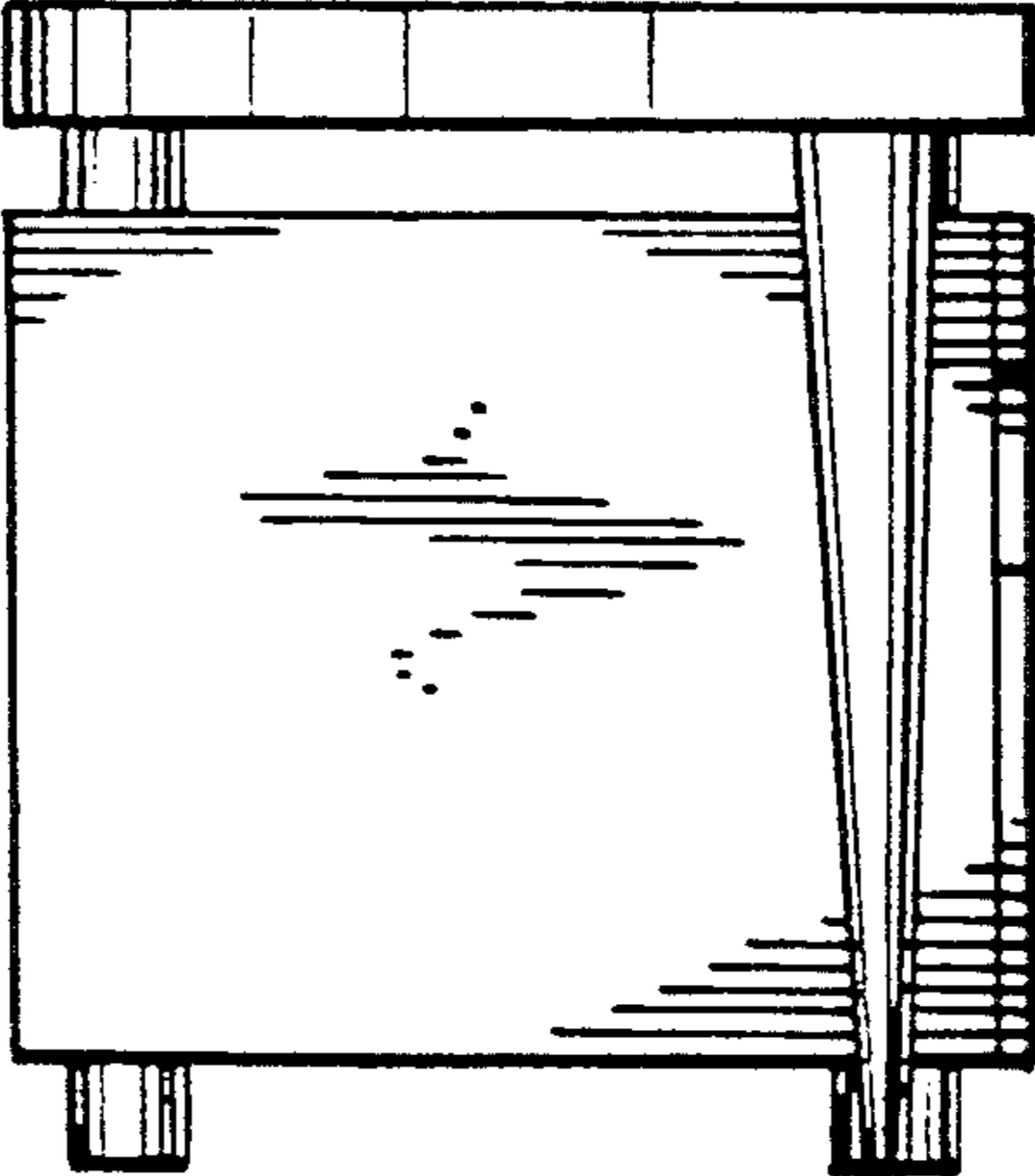


FIG. 7

