



US00D327180S

United States Patent [19]

[11] Patent Number: **Des. 327,180**

Fonville

[45] Date of Patent: **** Jun. 23, 1992**

[54] **HIGH CHAIR**

[75] Inventor: **Fred S. Fonville, Stephens City, Va.**

[73] Assignee: **Rubbermaid Commercial Products Inc., Winchester, Va.**

[**] Term: **14 Years**

[21] Appl. No.: **338,657**

[22] Filed: **Apr. 17, 1989**

[52] U.S. Cl. **D6/339**

[58] Field of Search **D6/333, 339, 360, 367; 297/148, 149, 150, 151, 152, 153, 154**

[56] **References Cited**

U.S. PATENT DOCUMENTS

D. 181,106	10/1957	Reguitti	D6/339
D. 248,516	7/1978	Johansson	D6/339 X
D. 257,298	10/1980	Temple	D6/339 X
D. 257,450	10/1980	Radek	D6/339 X
D. 306,803	3/1990	Kassai	D6/339
4,723,813	2/1988	Kassai	297/153

OTHER PUBLICATIONS

Magazine page, Hammacher Schlemmer & Company, street address unknown, New York, N.Y. publication date unknown.

Instruction Page, Aprica Juvenile Products, Division of Merchants Corp./America 6600 Artesia Blvd., P.O. Box 5041, Buena Park, Calif., 90620, publication date unknown.

Pages 1, 2, and 3, Comfort Lines, Inc., 4500 S. Kolin Avenue, Chicago, Ill. 60632, publication date Jun. 17, 1985.

Page 40, Prince Castle, 355 East Kehoe, Carol Stream, Ill. 60188, publication date unknown.

Pages 65, 66, & 68, Prince Castle, 355 East Kehoe, Carol Stream, Ill. 60188, publication date unknown.

Sell sheet, Gaychrome, 3824 Hawthorne Court, Waukengan, Ill. 60087, publication date unknown.

Sell sheet, Fischer Price, street address unknown, East Aurora, New York, N.Y. 14052, publication date 1987.

Catalog page, The Little Tikes Company, 2180 Barlow Road, Hudson, Ohio 44236, publication date 1988.

Sell sheet, Rubbermaid Commercial Products Inc., 3124 Valley Avenue, Winchester, Va. 22601, publication date Oct. 1988.

Primary Examiner—Donald P. Walsh

Assistant Examiner—Gary D. Watson

Attorney, Agent, or Firm—Richard B. O'Planick

[57] **CLAIM**

The ornamental design for a high chair, as shown and described.

DESCRIPTION

FIG. 1 is a front perspective view of a high chair showing my new design;

FIG. 2 is a front elevational view;

FIG. 3 is a rear elevational view;

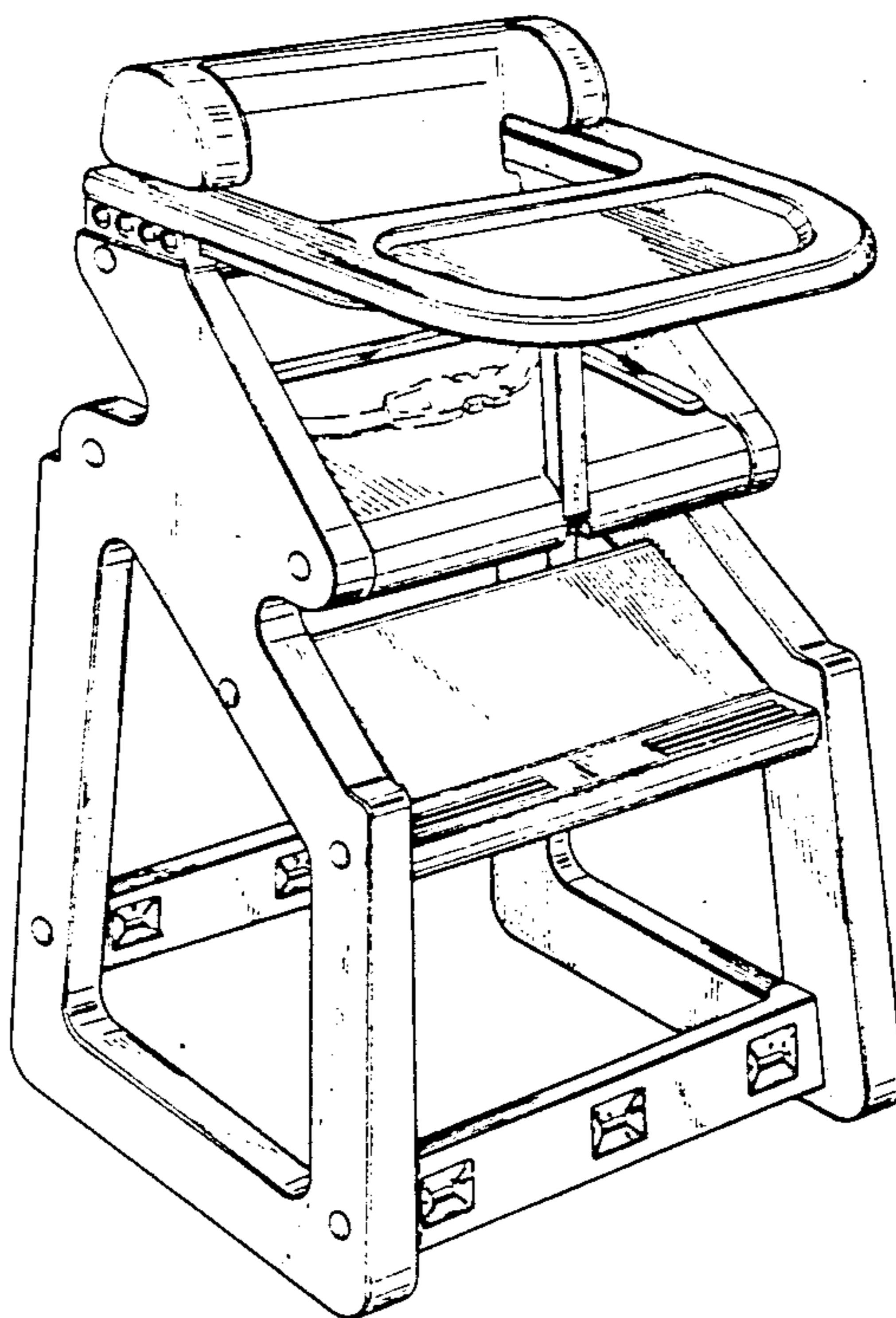
FIG. 4 is a top plan view;

FIG. 5 is a bottom plan view; and,

FIG. 6 is a left side elevational view, the right side being a mirror image thereof.

The safety belt shown in broken lines in FIG. 1 is for illustrative purposes only and does not constitute part of the claimed design.

FIG. 1 has been drawn to a smaller scale with respect to FIGS. 2 through 6.



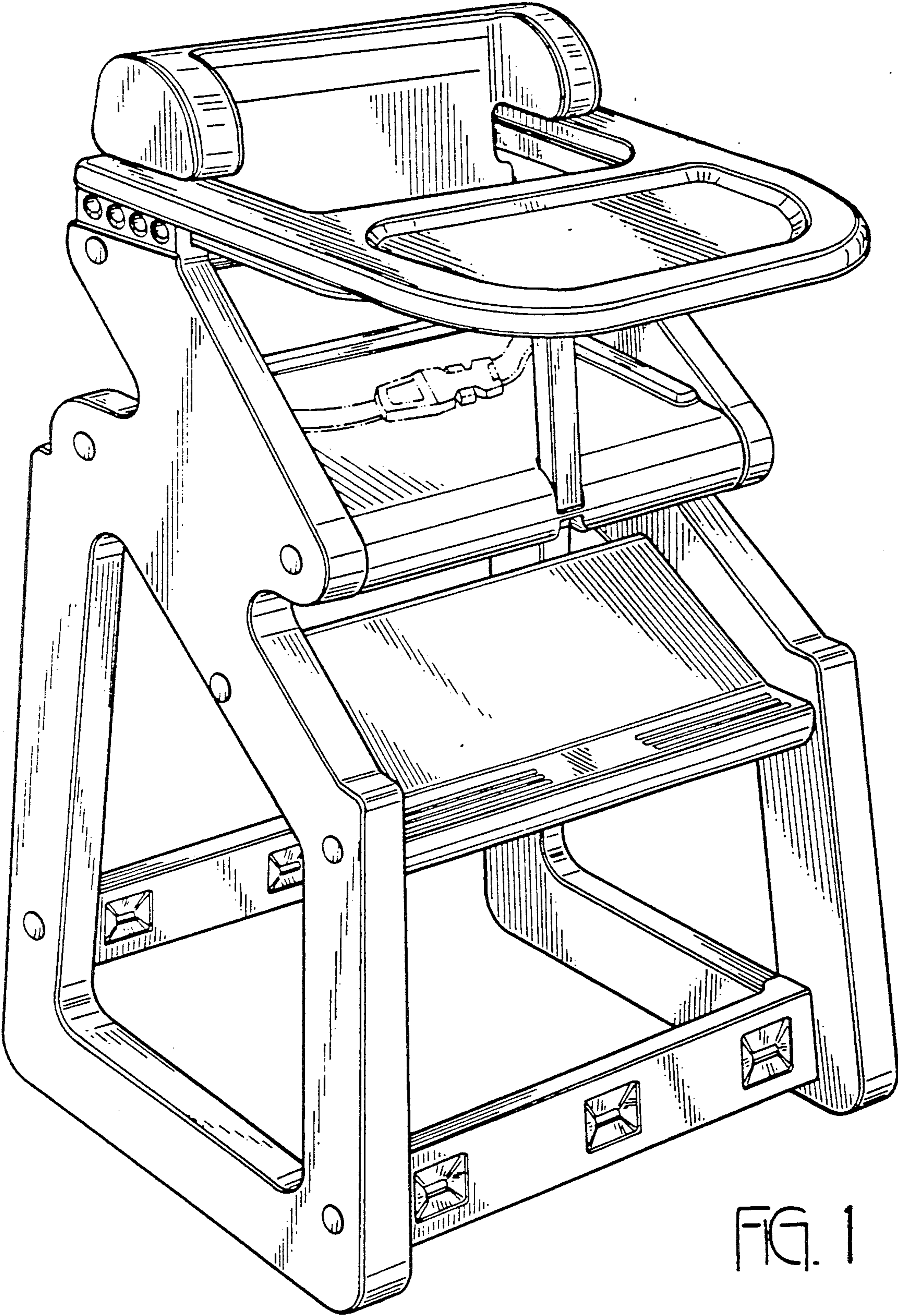


FIG. 1

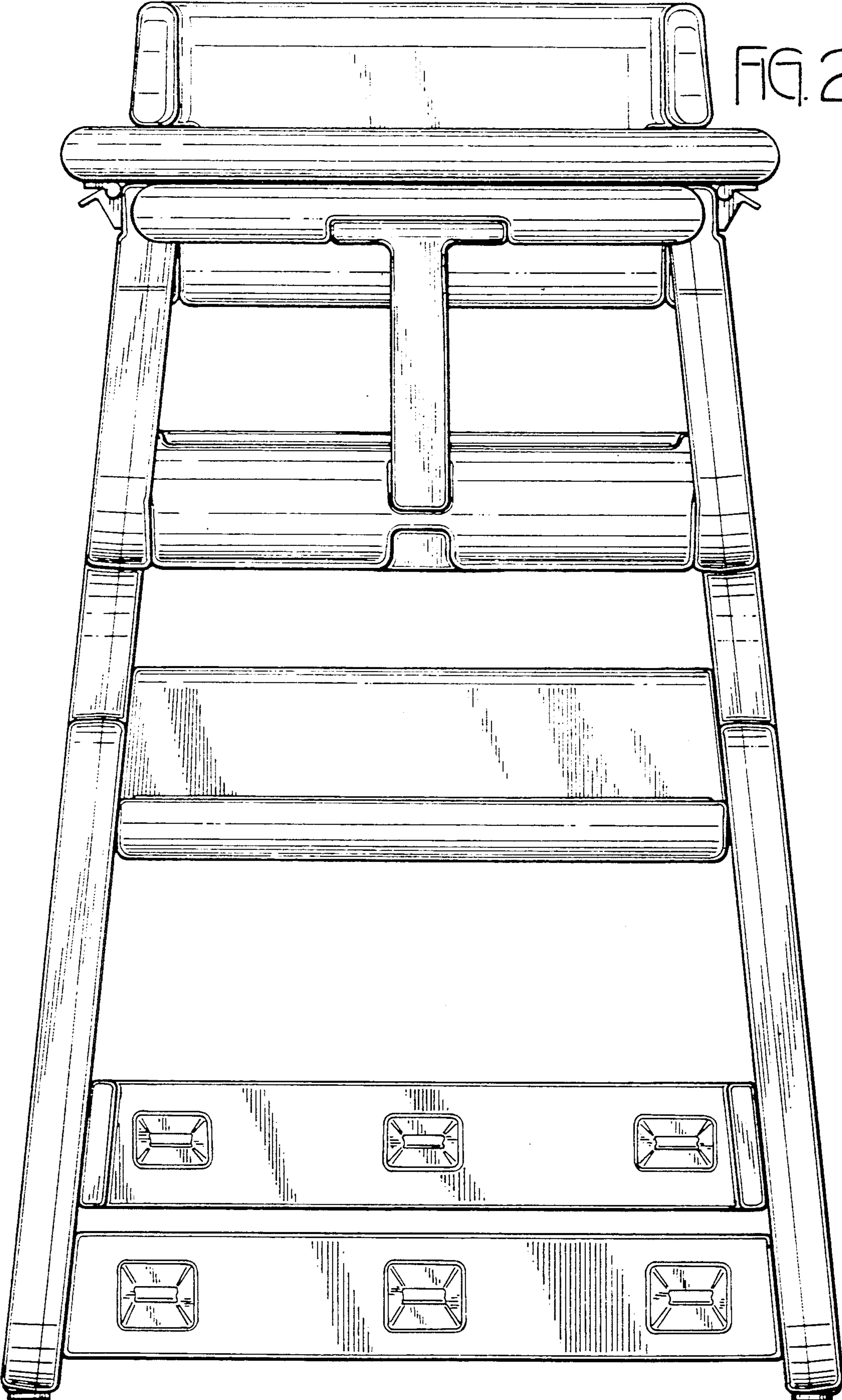
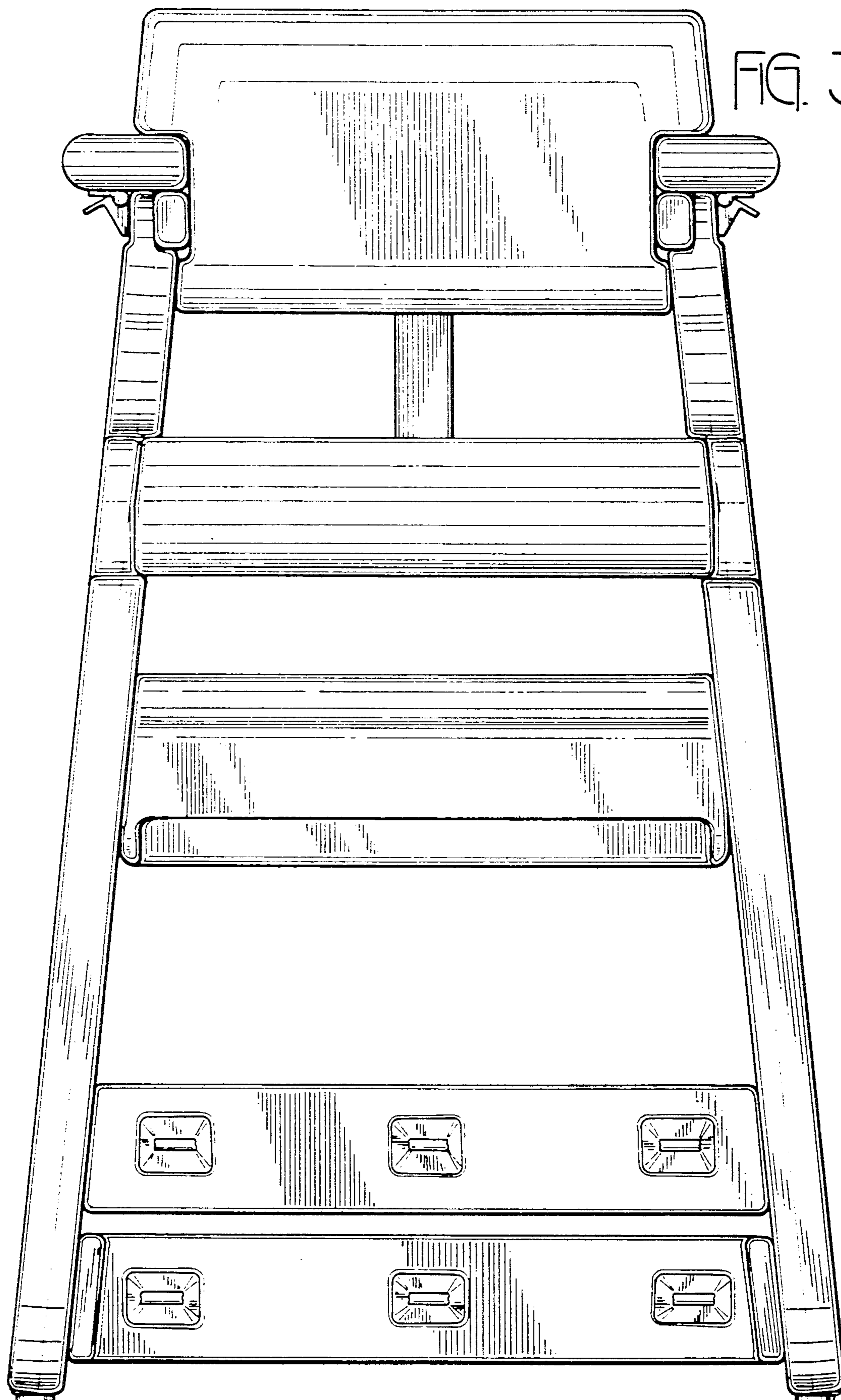


FIG. 2



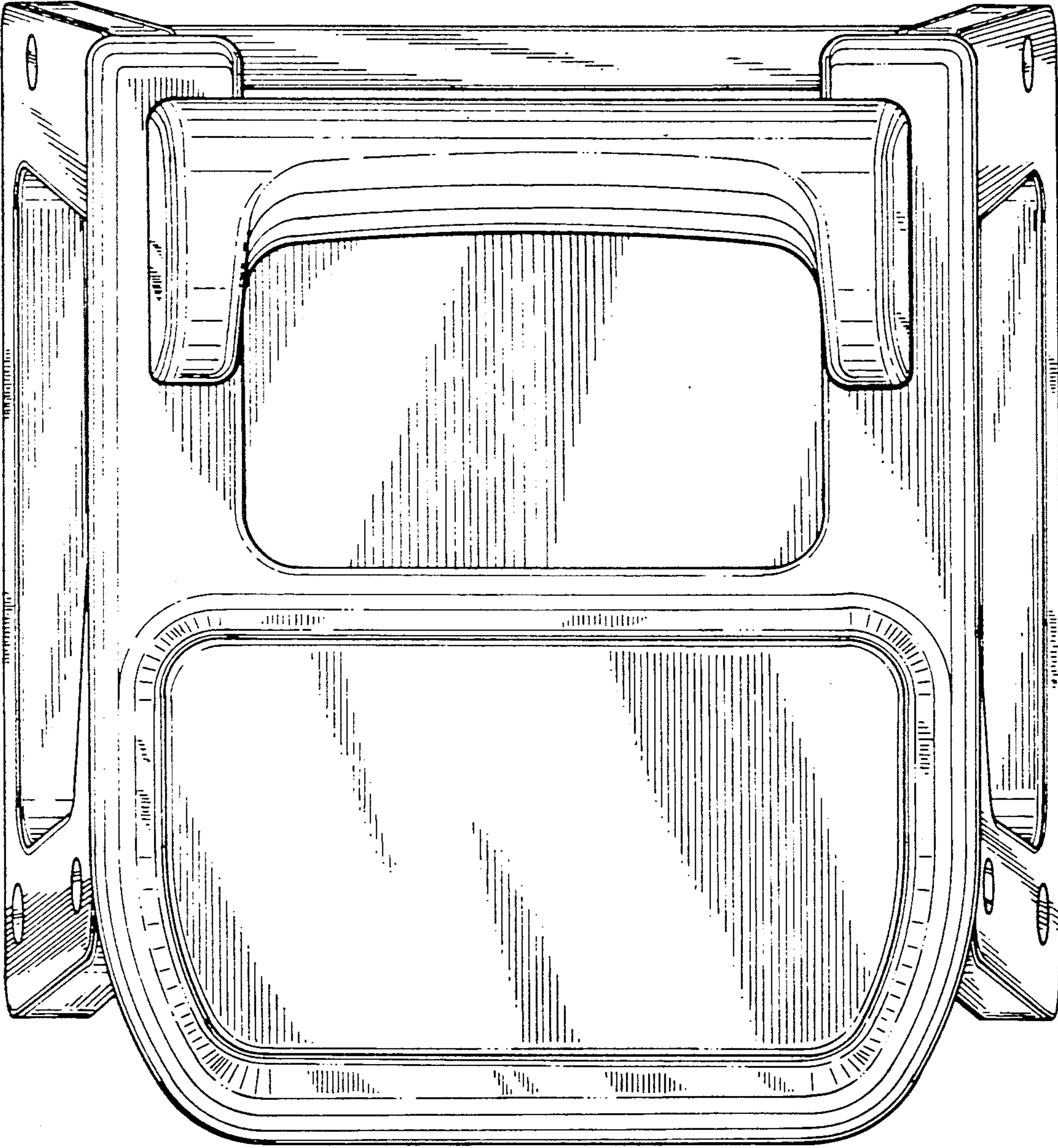


FIG. 4

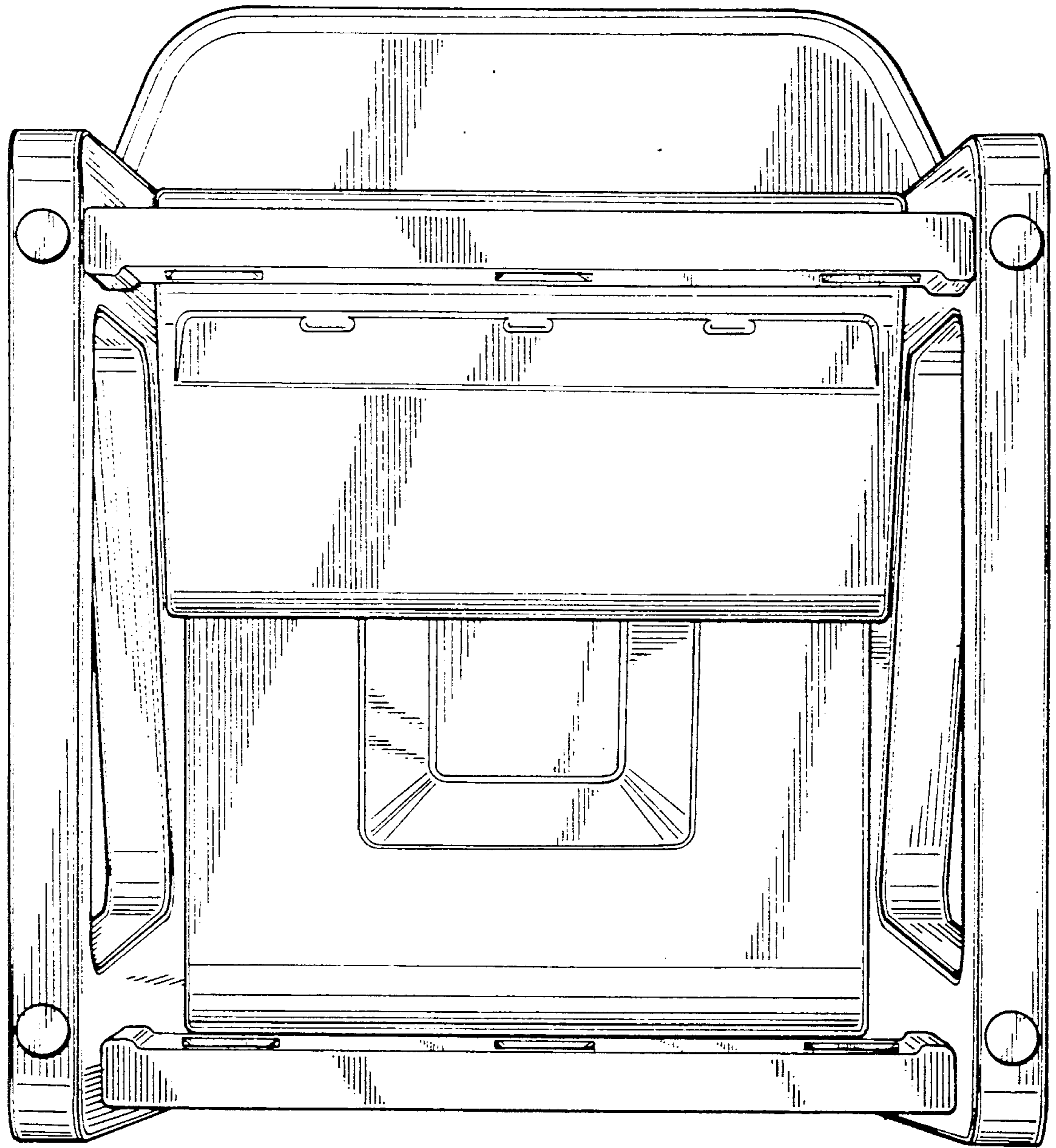


FIG. 5

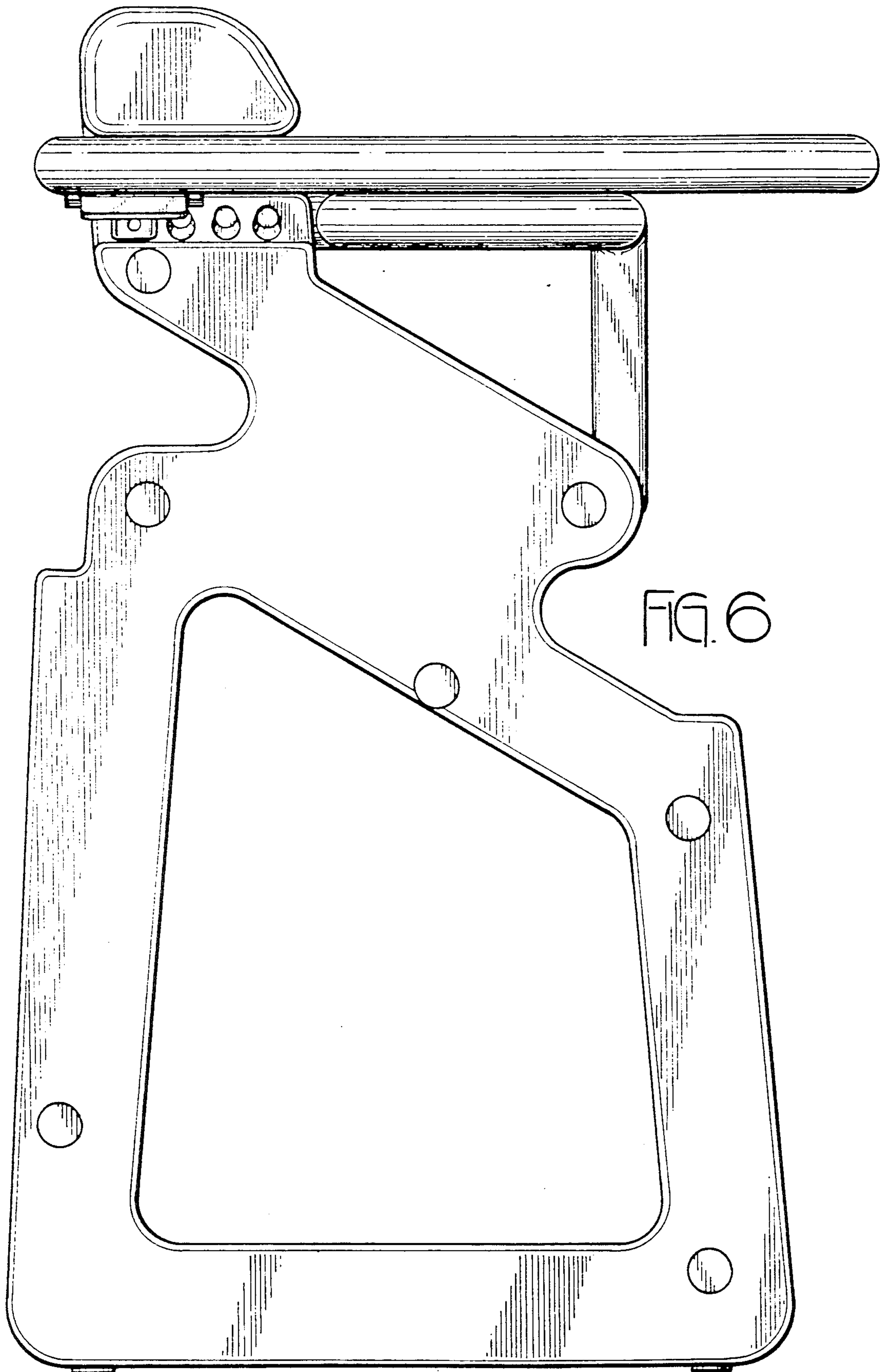


FIG. 6