



US00D327179S

United States Patent [19]

[11] Patent Number: **Des. 327,179**

Ryaa

[45] Date of Patent: **** Jun. 23, 1992**

[54] **COMBINED TABLE AND PLURAL SEATING UNIT**

681,394 8/1901 Hile 297/157
4,526,422 7/1985 Mengshoel et al. 297/243

[75] Inventor: **Jan Ryaa, Billund, Denmark**

Primary Examiner—Donald P. Walsh
Assistant Examiner—Gary D. Watson
Attorney, Agent, or Firm—Kane, Dalsimer, Sullivan,
Kurucz, Levy, Eisele and Richard

[73] Assignee: **Interlego A.G., Baar, Switzerland**

[**] Term: **14 Years**

[21] Appl. No.: **365,515**

[57] **CLAIM**

[22] Filed: **Jun. 13, 1989**

The ornamental design for a combined table and plural seating unit, as shown and described.

[30] **Foreign Application Priority Data**

DESCRIPTION

Dec. 23, 1988 [DK] Denmark 1529 1988

[52] U.S. Cl. **D6/337; D6/338**

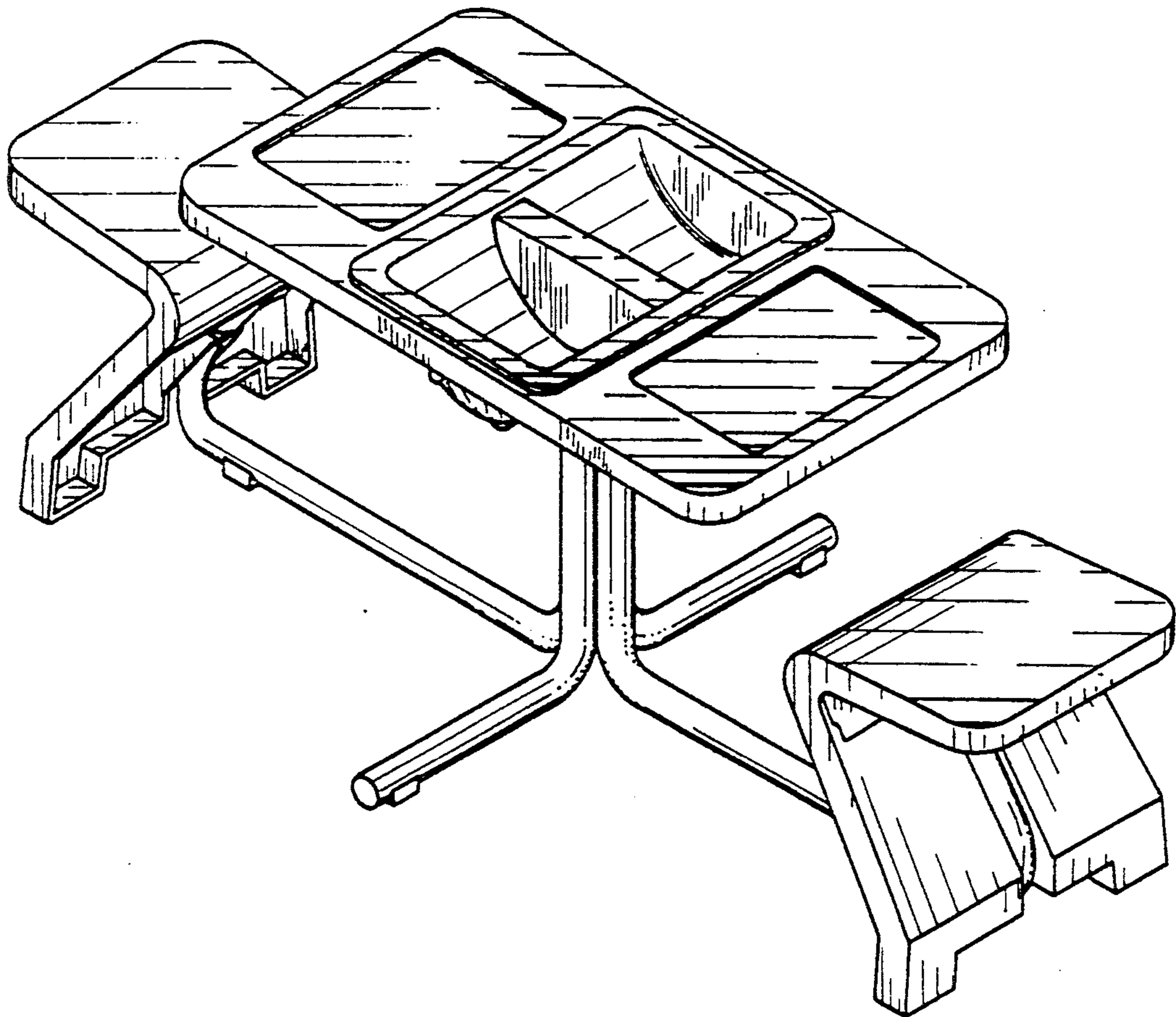
[58] Field of Search **D6/334, 335, 337, 340,
D6/349, 354, 362, 484, 500, 501, 502; 297/157,
170, 172, 174, 243**

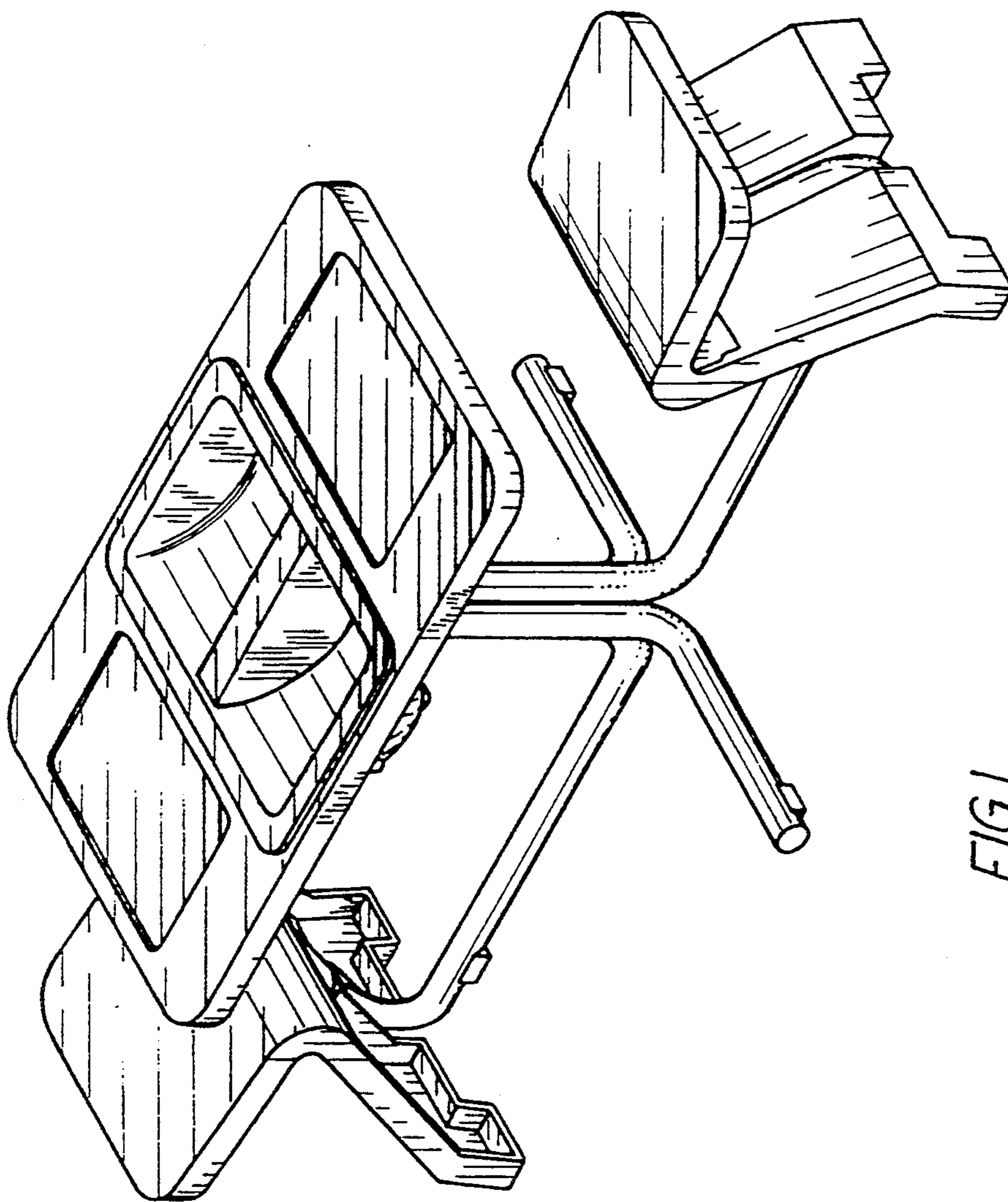
FIG. 1 is a top, front perspective view of a combined table and plural seating unit showing my new design; FIG. 2 is a bottom perspective view; FIG. 3 is a left side elevational view, the right side being a mirror image thereof; FIG. 4 is a front elevational view, the rear elevational view being a mirror image thereof; FIG. 5 is a top plan view; and, FIG. 6 is a bottom plan view thereof.

[56] **References Cited**

U.S. PATENT DOCUMENTS

D. 241,893 10/1976 Cavic D6/337





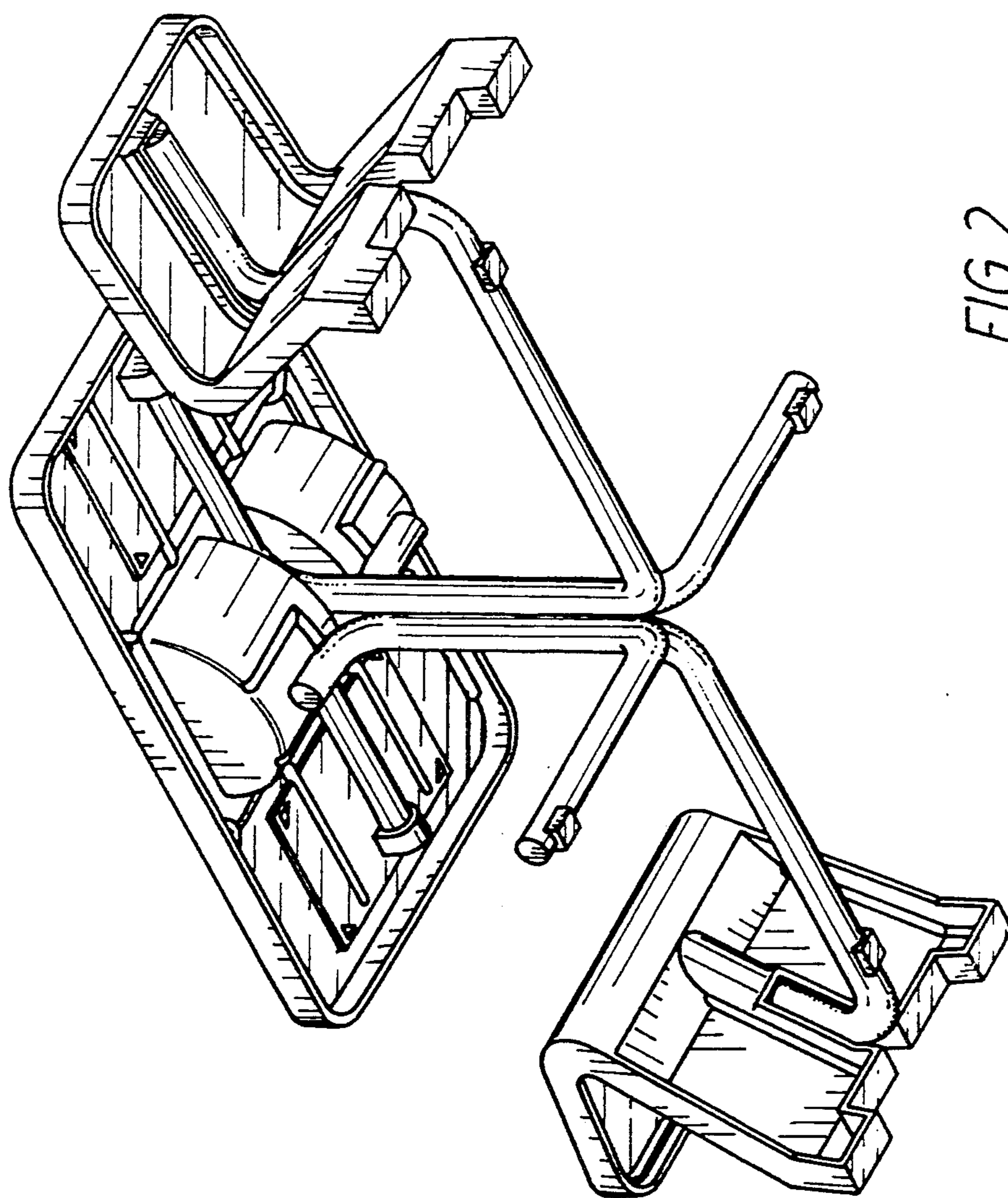


FIG. 2

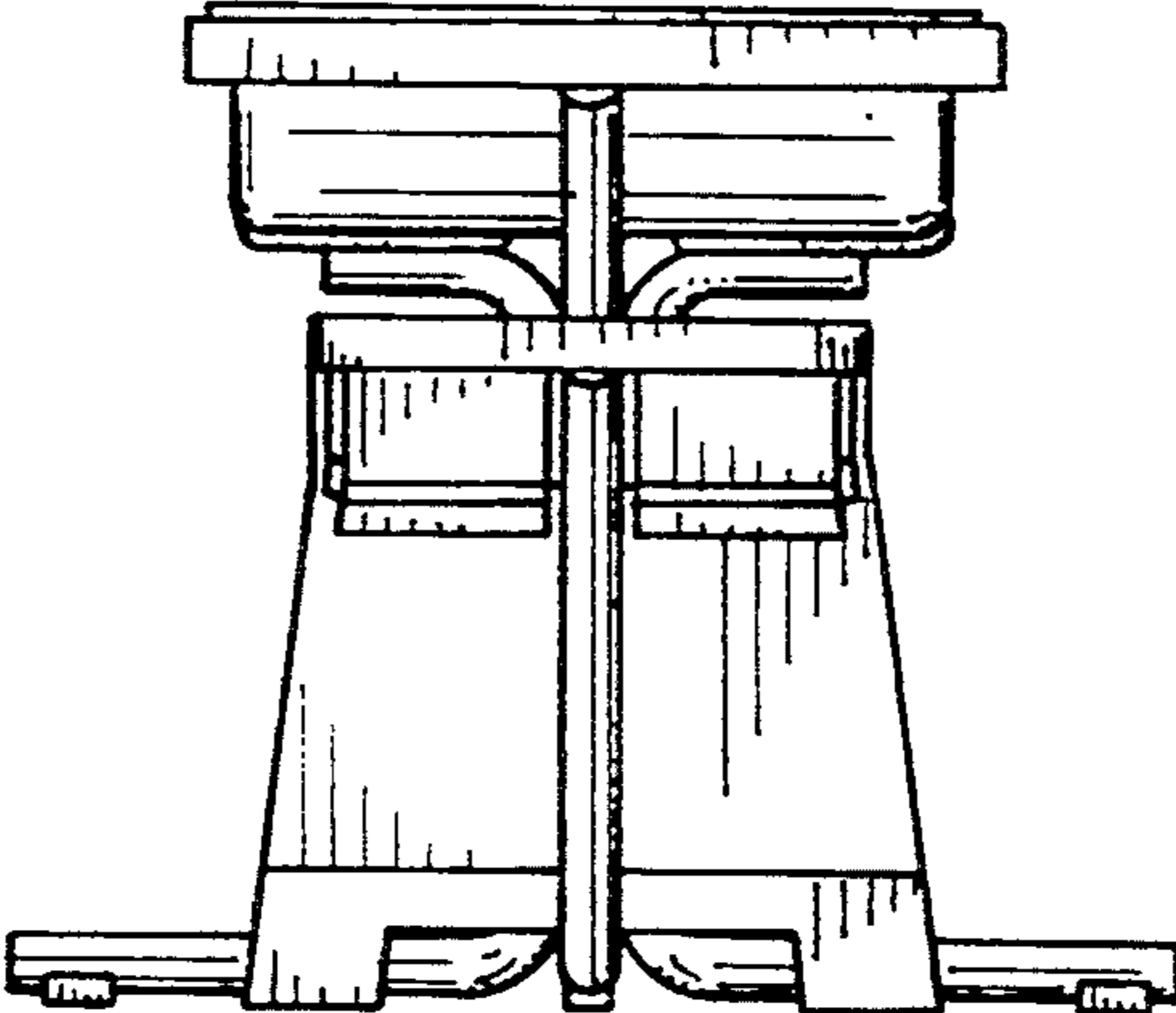


FIG. 4

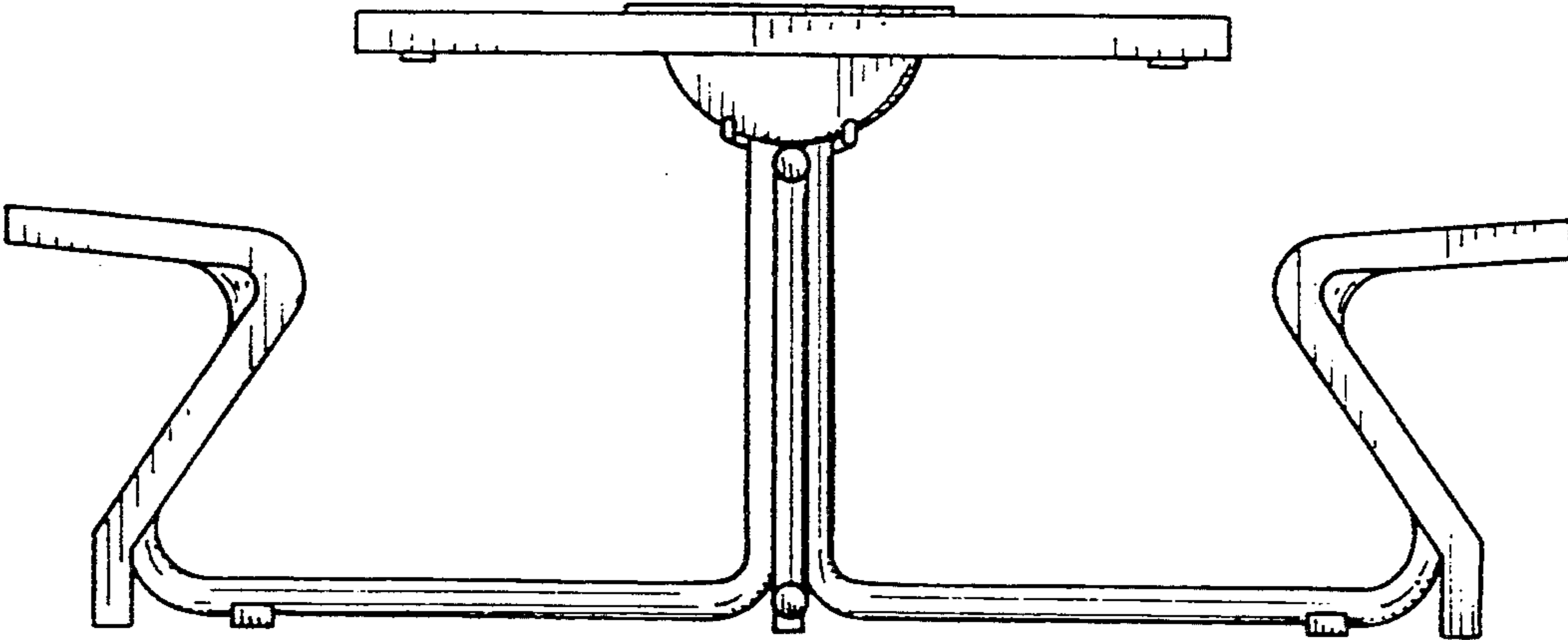


FIG. 3

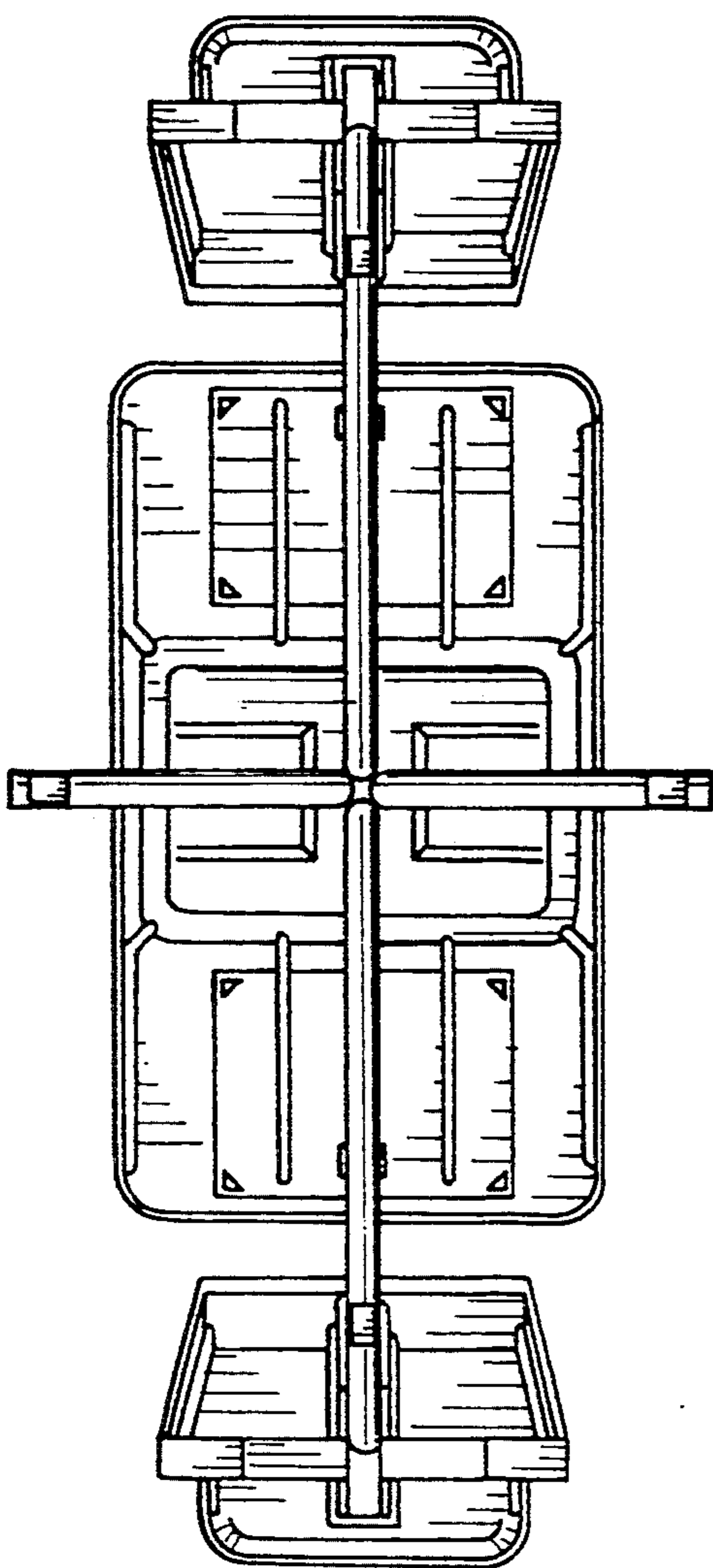


FIG. 6

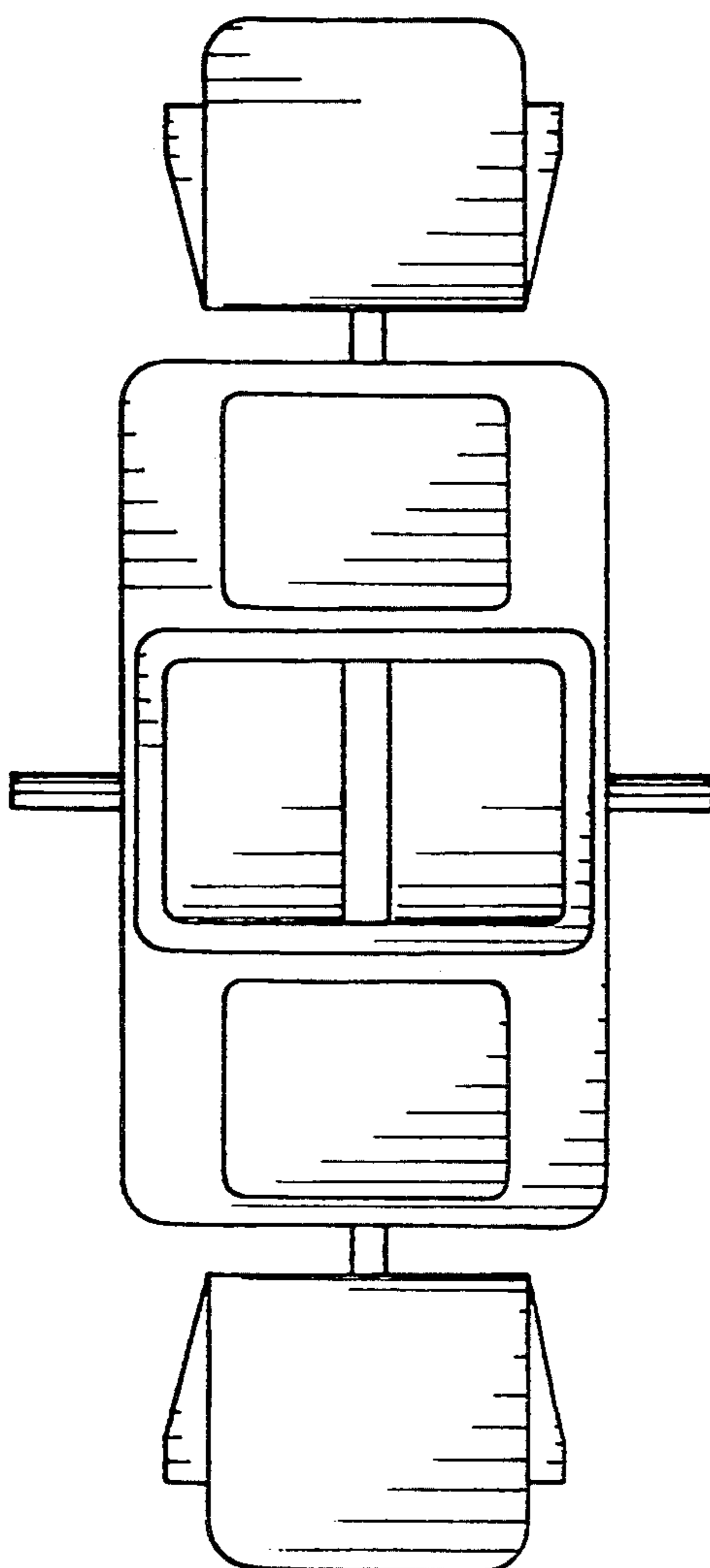


FIG. 5