



US00D327178S

# United States Patent [19]

[11] Patent Number: **Des. 327,178**

Ryaa

[45] Date of Patent: **\*\* Jun. 23, 1992**

[54] **COMBINED TABLE AND PLURAL SEATING UNIT**

D. 244,409	5/1977	Arnold	.....	D6/337
3,266,840	8/1966	D'Estrube	.....	297/157
4,092,042	5/1978	Cusenbary	.....	D6/337

[75] Inventor: **Jan Ryaa, Billund, Denmark**

[73] Assignee: **Interlego A.G., Baar, Switzerland**

[\*\*] Term: **14 Years**

[21] Appl. No.: **365,514**

[22] Filed: **Jun. 13, 1989**

[30] **Foreign Application Priority Data**

Dec. 23, 1988 [DK] Denmark ..... 1528 1988

[52] U.S. Cl. .... **D6/337**

[58] Field of Search ..... D6/334, 335, 337, 340,  
D6/349, 354, 362, 484, 500, 501, 502; 297/157,  
170, 172, 174

[56] **References Cited**

### U.S. PATENT DOCUMENTS

D. 165,710	1/1952	Currie et al.	.....	D6/337
D. 194,038	11/1962	Preston	.....	D6/337
D. 194,468	1/1963	Goodman	.....	D6/337
D. 210,302	2/1968	Lansford	.....	D6/335

### FOREIGN PATENT DOCUMENTS

2299832 8/1976 France ..... 297/157

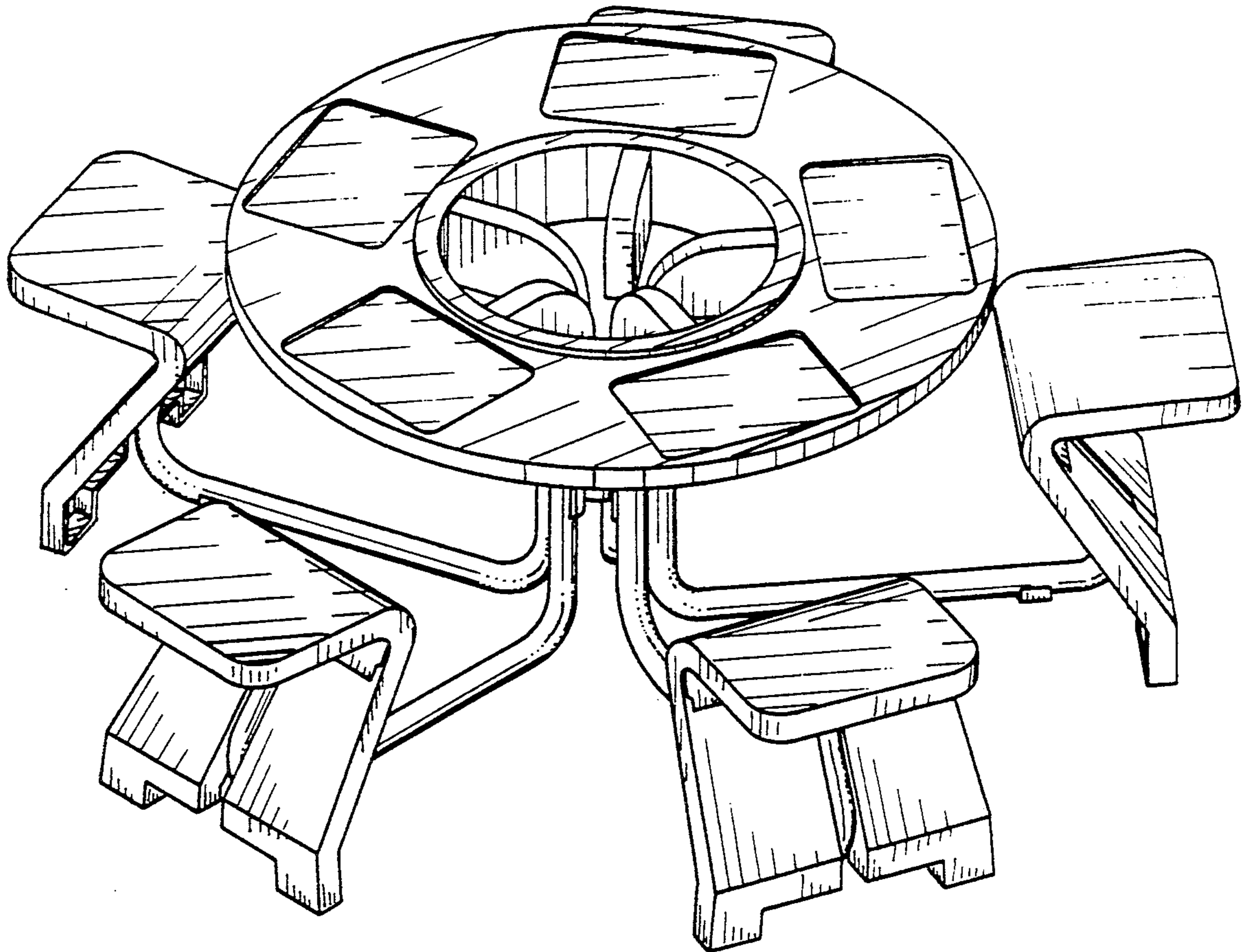
*Primary Examiner*—Donald P. Walsh  
*Assistant Examiner*—Gary D. Watson  
*Attorney, Agent, or Firm*—Kane, Dalsimer, Sullivan,  
Kurucz, Levy, Eisele and Richard

[57] **CLAIM**

The ornamental design for a combined table and plural seating unit, as shown and described.

### DESCRIPTION

FIG. 1 is a top, front perspective view of a combined table and plural seating unit showing my new design; FIG. 2 is a bottom perspective view; FIG. 3 is a side elevational view; FIG. 4 is a side elevational view, opposite to that shown in FIG. 3; FIG. 5 is a top plan view; and, FIG. 6 is a bottom plan view thereof.



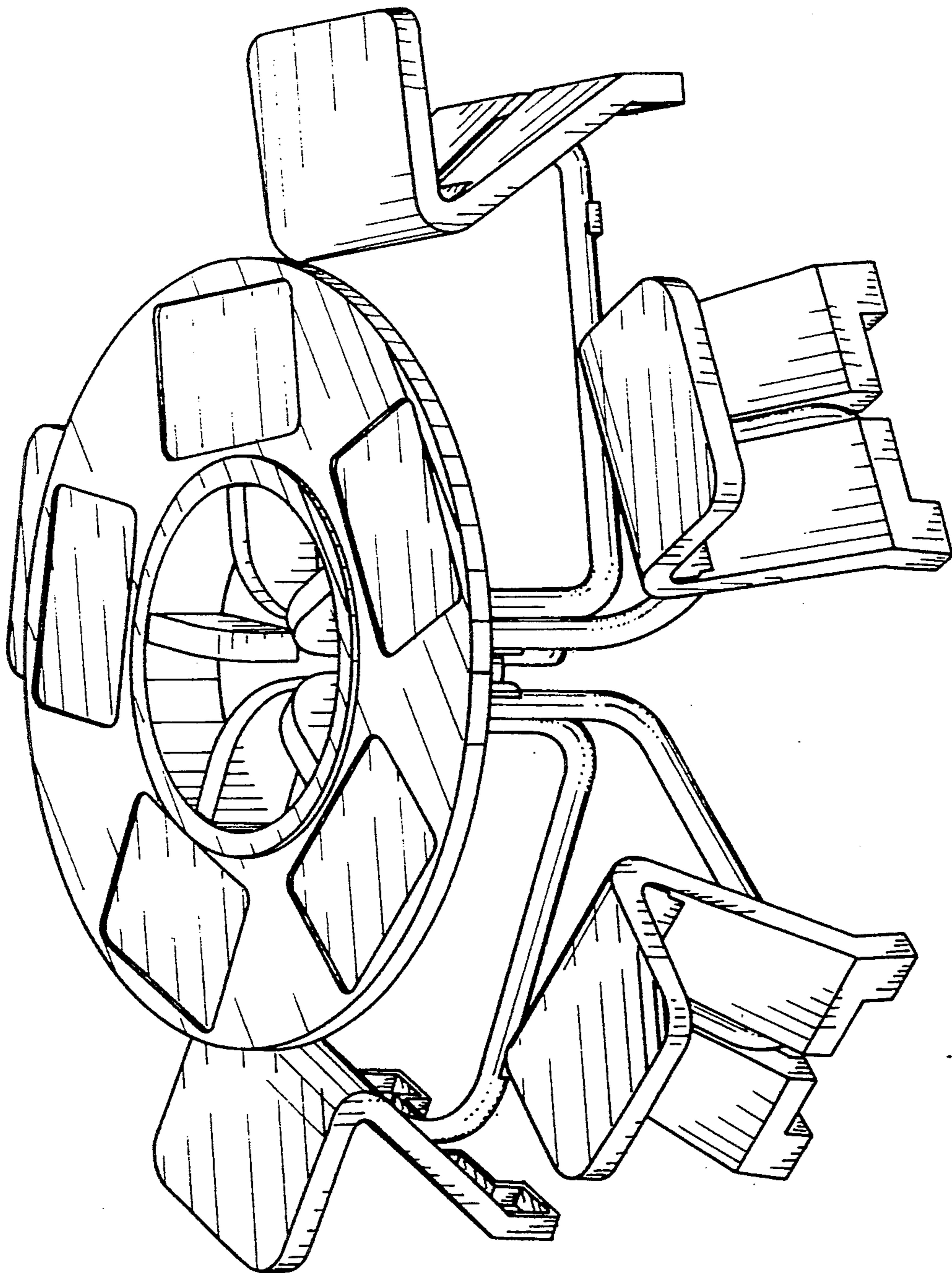


FIG. 1

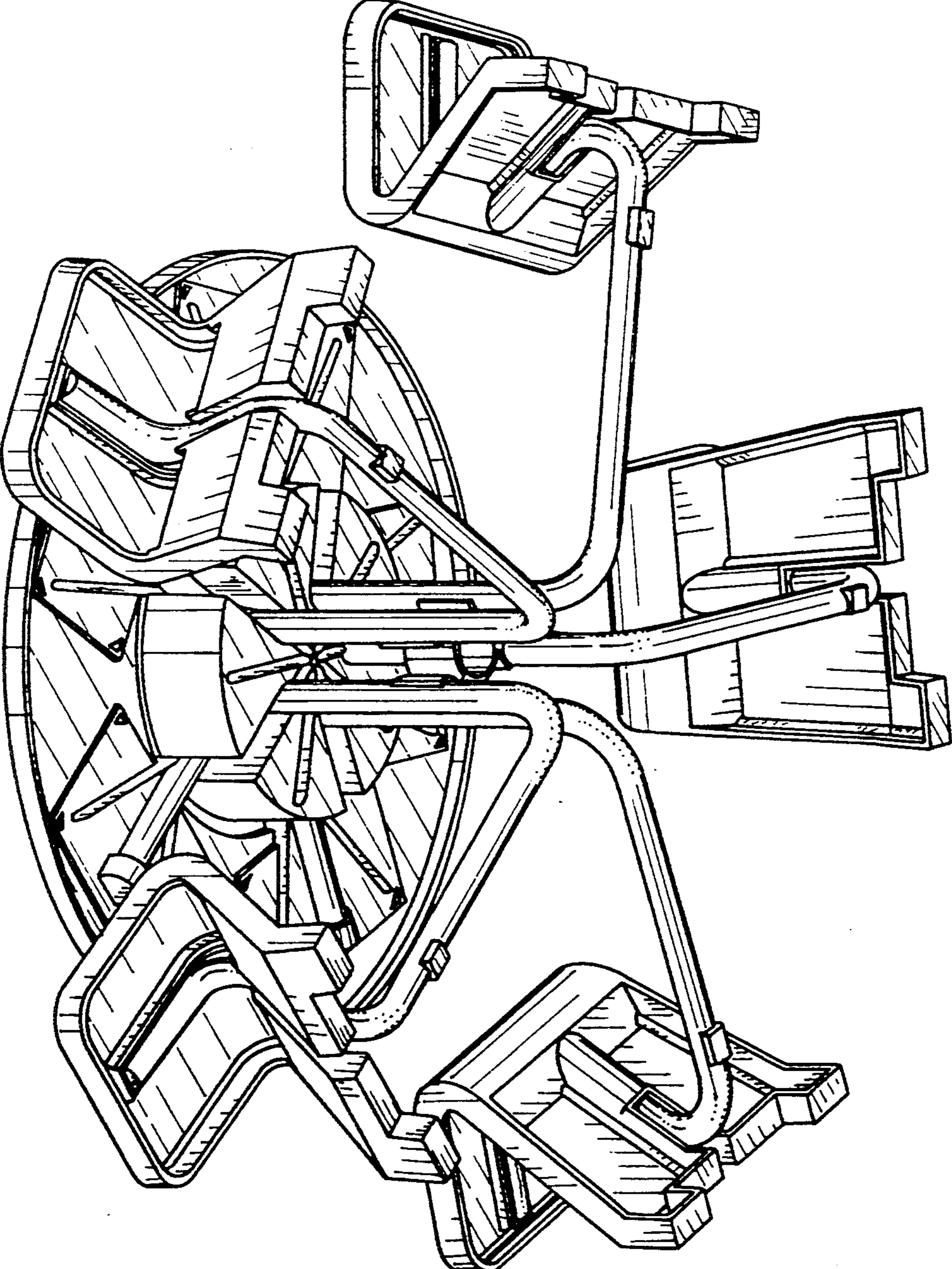


FIG. 2

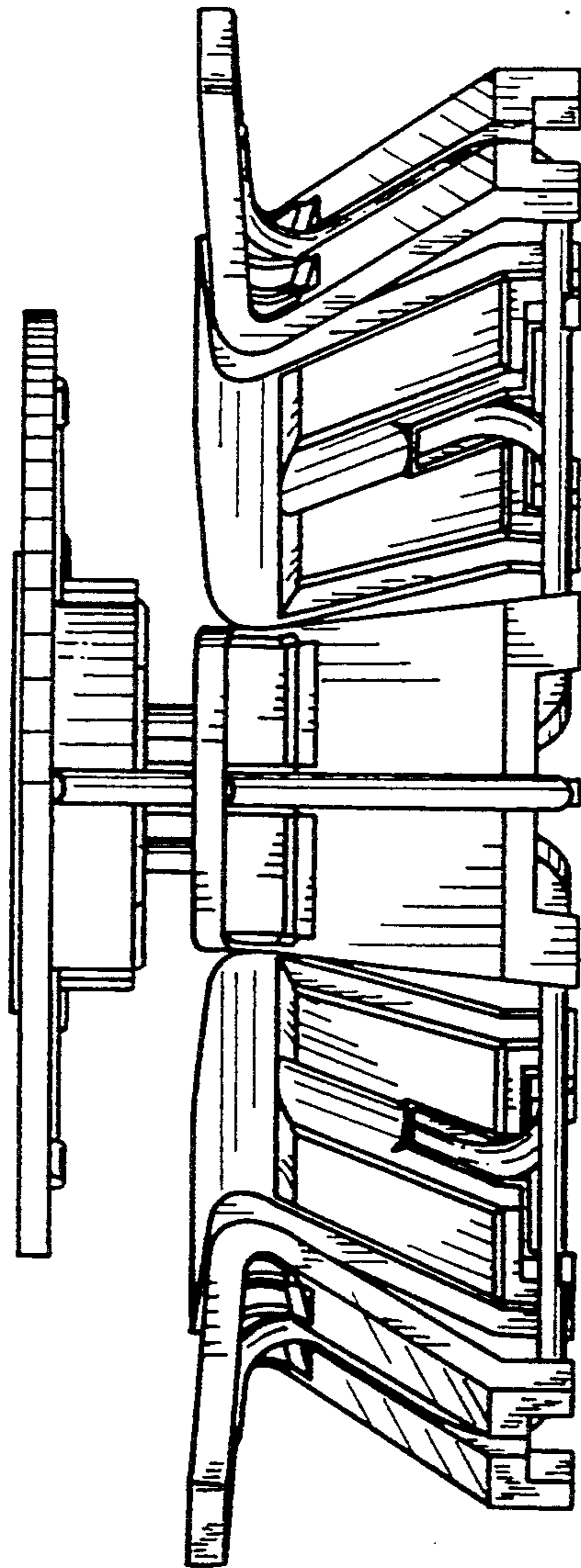


FIG. 3

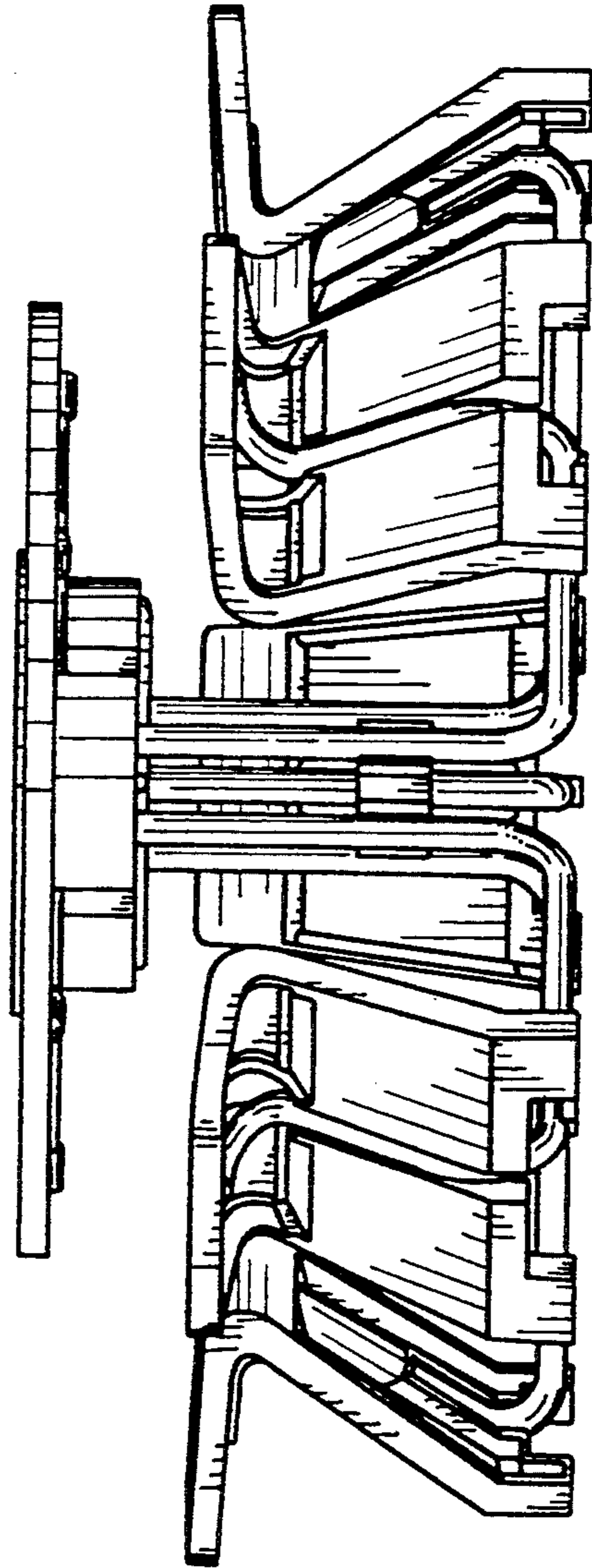


FIG. 4

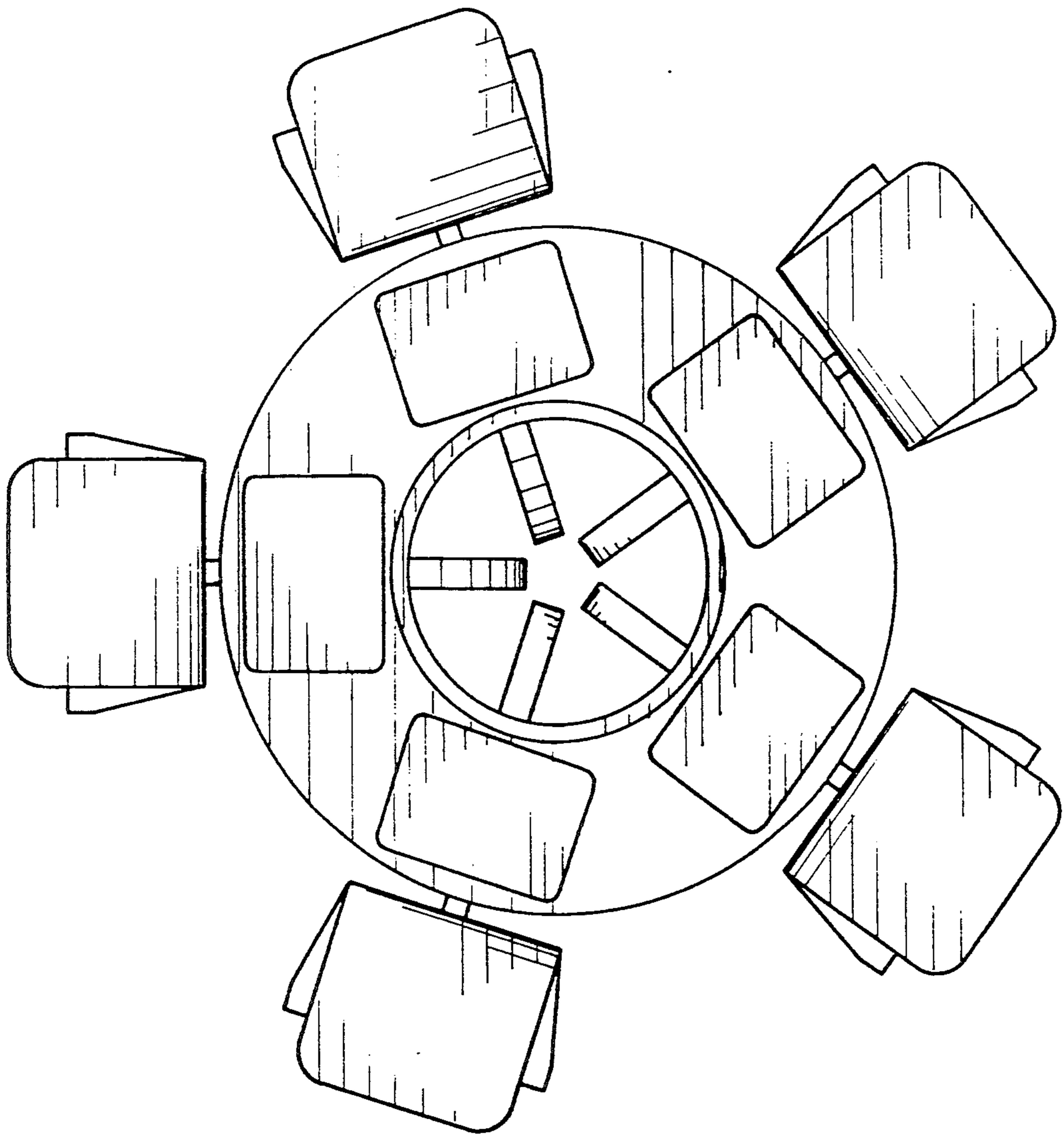


FIG.5

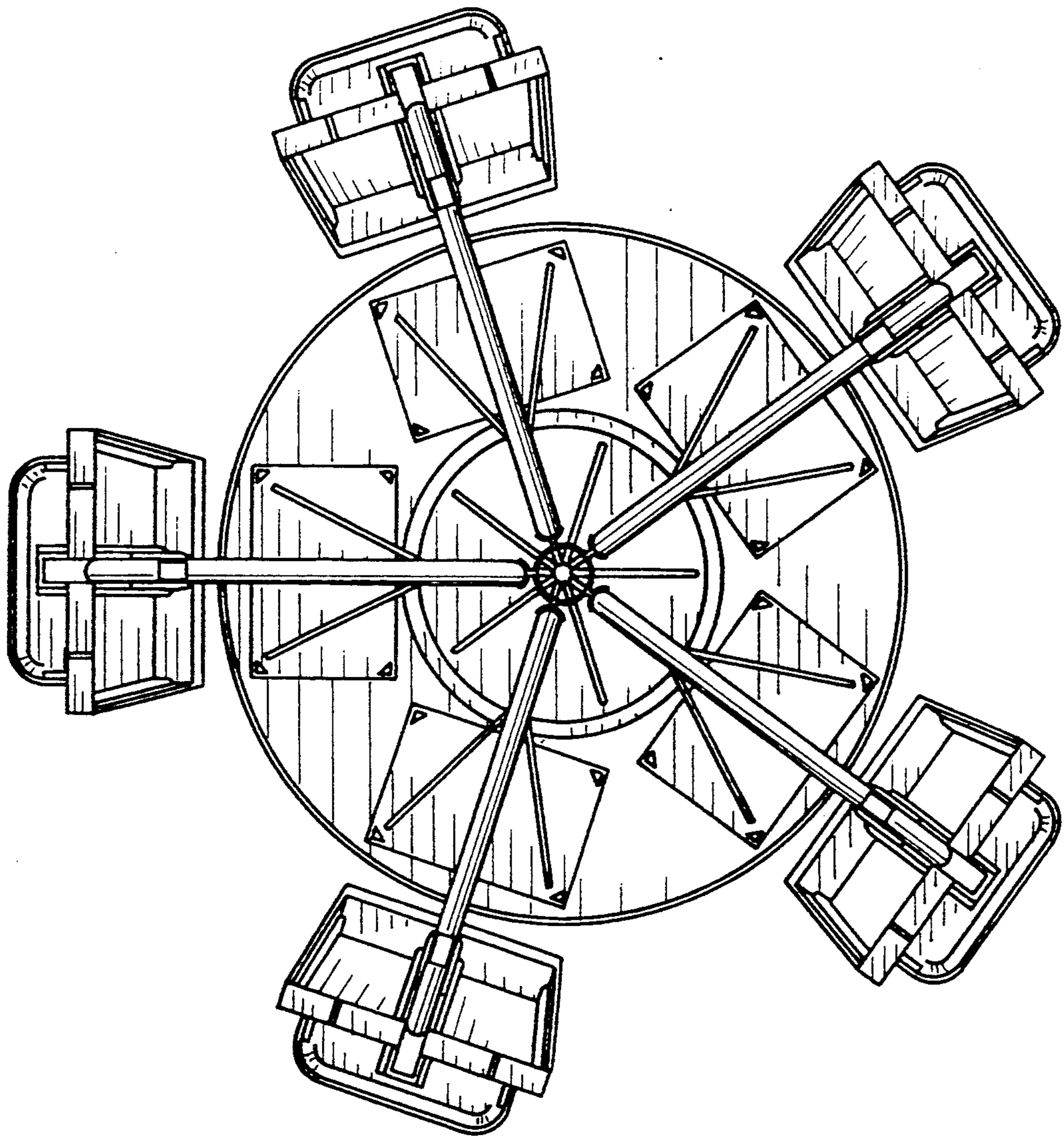


FIG.6