



US00D327177S

# United States Patent [19]

[11] Patent Number: **Des. 327,177**

Wehmeyer

[45] Date of Patent: **\*\* Jun. 23, 1992**

[54] **ADJUSTABLE PICNIC TABLE**

4,330,151 5/1982 Healey ..... 297/157

[75] Inventor: **Stephen D. Wehmeyer, West Falls, N.Y.**

*Primary Examiner*—Bruce W. Dunkins  
*Assistant Examiner*—Gary D. Watson  
*Attorney, Agent, or Firm*—Cumpston & Shaw

[73] Assignee: **The Quaker Oats Company, Chicago, Ill.**

[57] **CLAIM**

[\*\*] Term: **14 Years**

The ornamental design for an adjustable picnic table, as shown and described.

[21] Appl. No.: **232,574**

**DESCRIPTION**

[22] Filed: **Aug. 15, 1988**

[52] U.S. Cl. .... **D6/337**

[58] Field of Search ..... **D6/337, 338; 297/157**

FIG. 1 is a front elevational view of the adjustable picnic table showing my new design, the rear elevational view being substantially identical;

FIG. 2 is a top plan view thereof;

FIG. 3 is a right side elevation, the left side being substantially identical thereto;

FIG. 4 is a bottom plan view thereof;

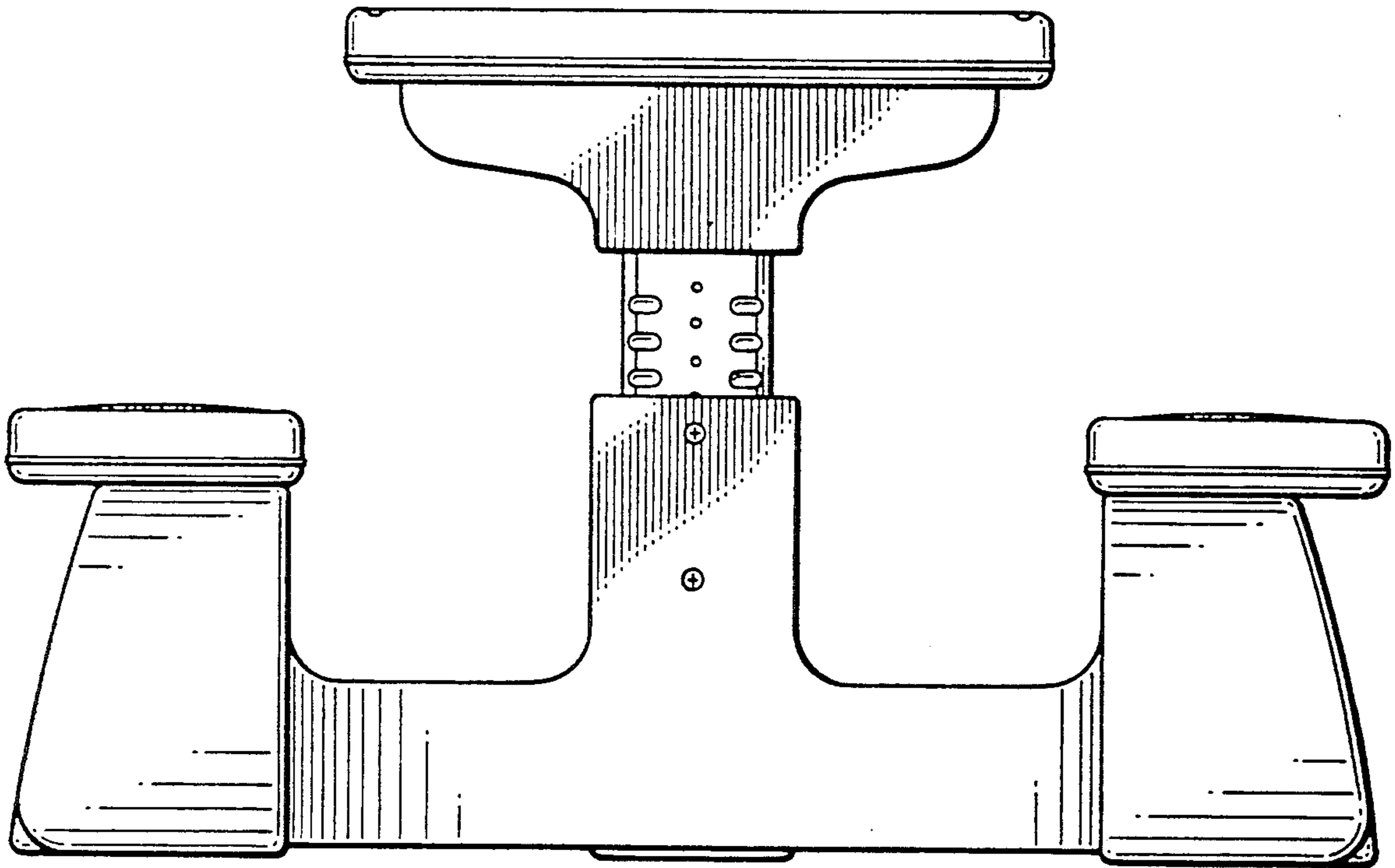
FIG. 5 is a right side elevation with the table top raised, the left side being substantially identical; and

FIG. 6 is an enlarged view of a corner portion of the table top, wherein the same is disclosed in greater detail.

[56] **References Cited**

**U.S. PATENT DOCUMENTS**

D. 235,394	6/1975	Ruth	.....	D6/337
D. 243,043	1/1977	Rogers	.....	D6/337
D. 265,787	8/1982	Berquist	.....	D6/337
D. 272,302	1/1984	Connelly	.....	D6/337
2,894,561	7/1959	Mackintosh	.....	D6/338



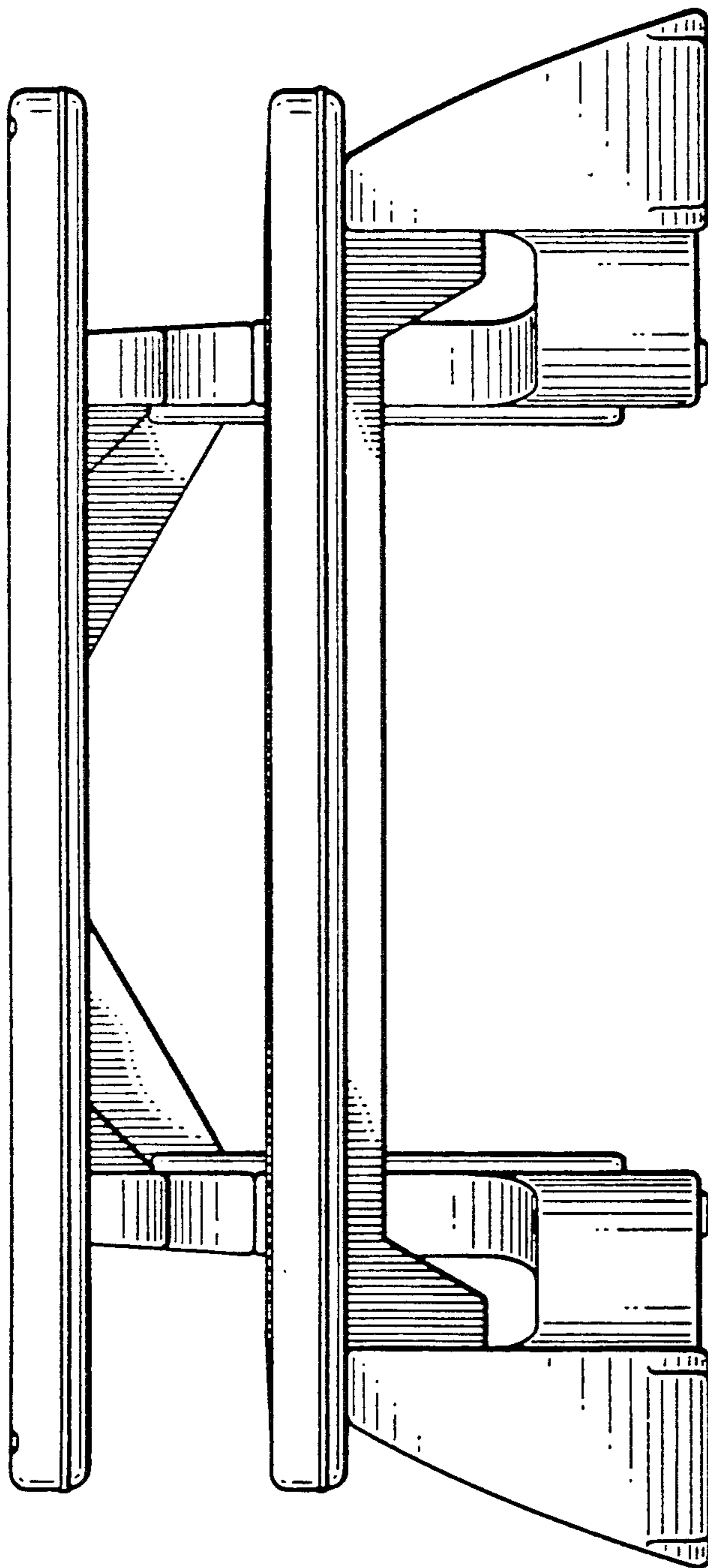


FIG. 1

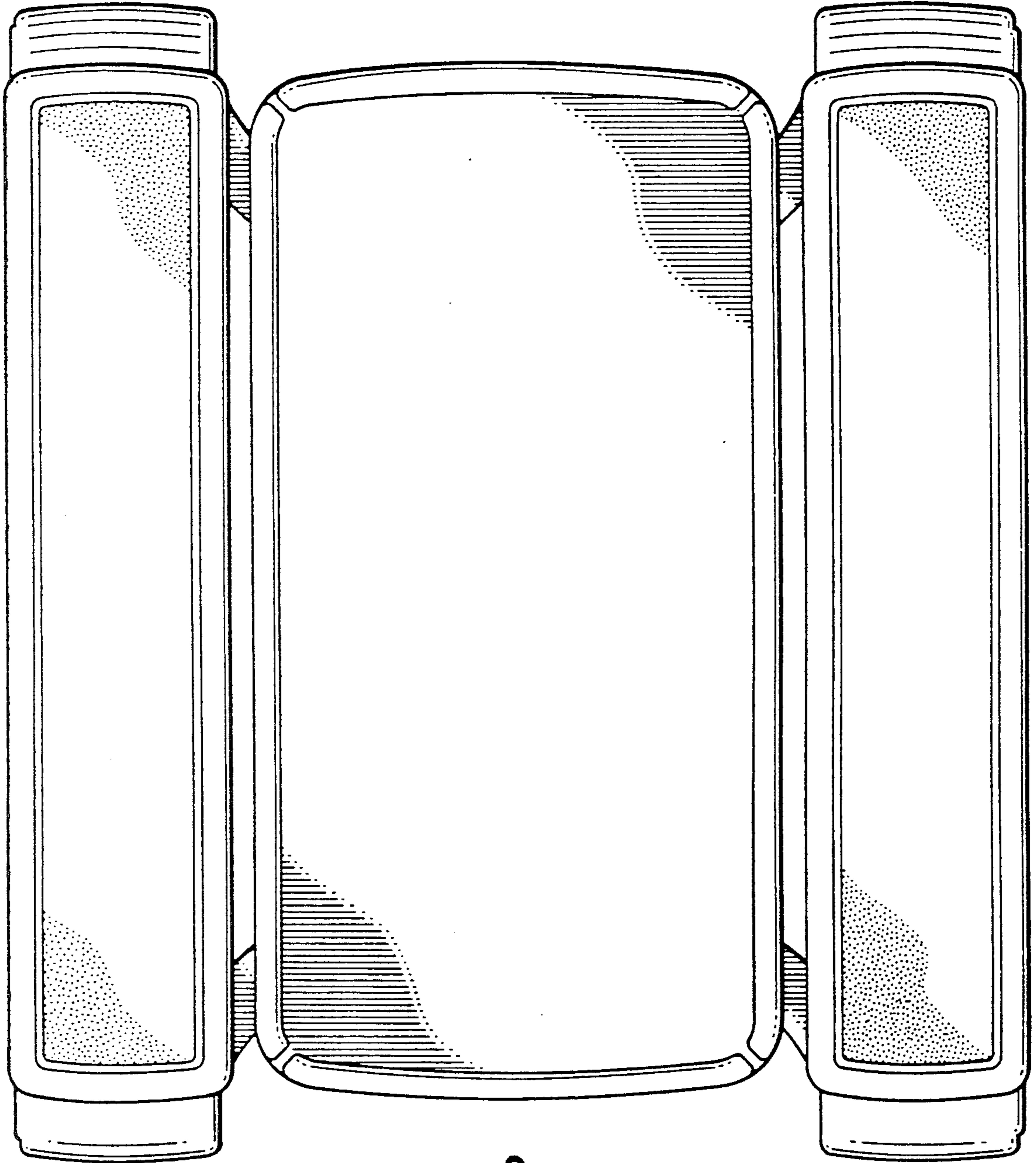
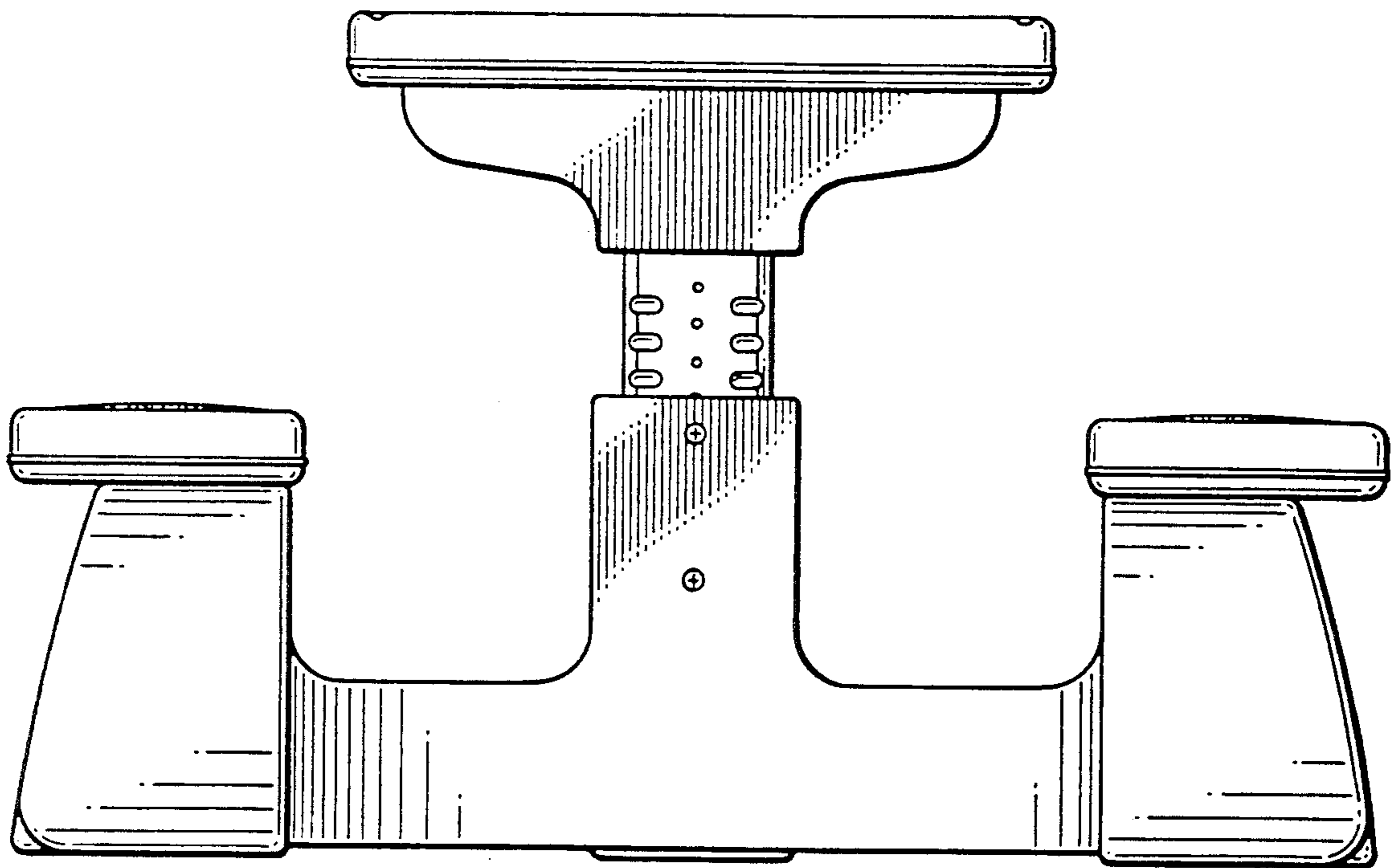
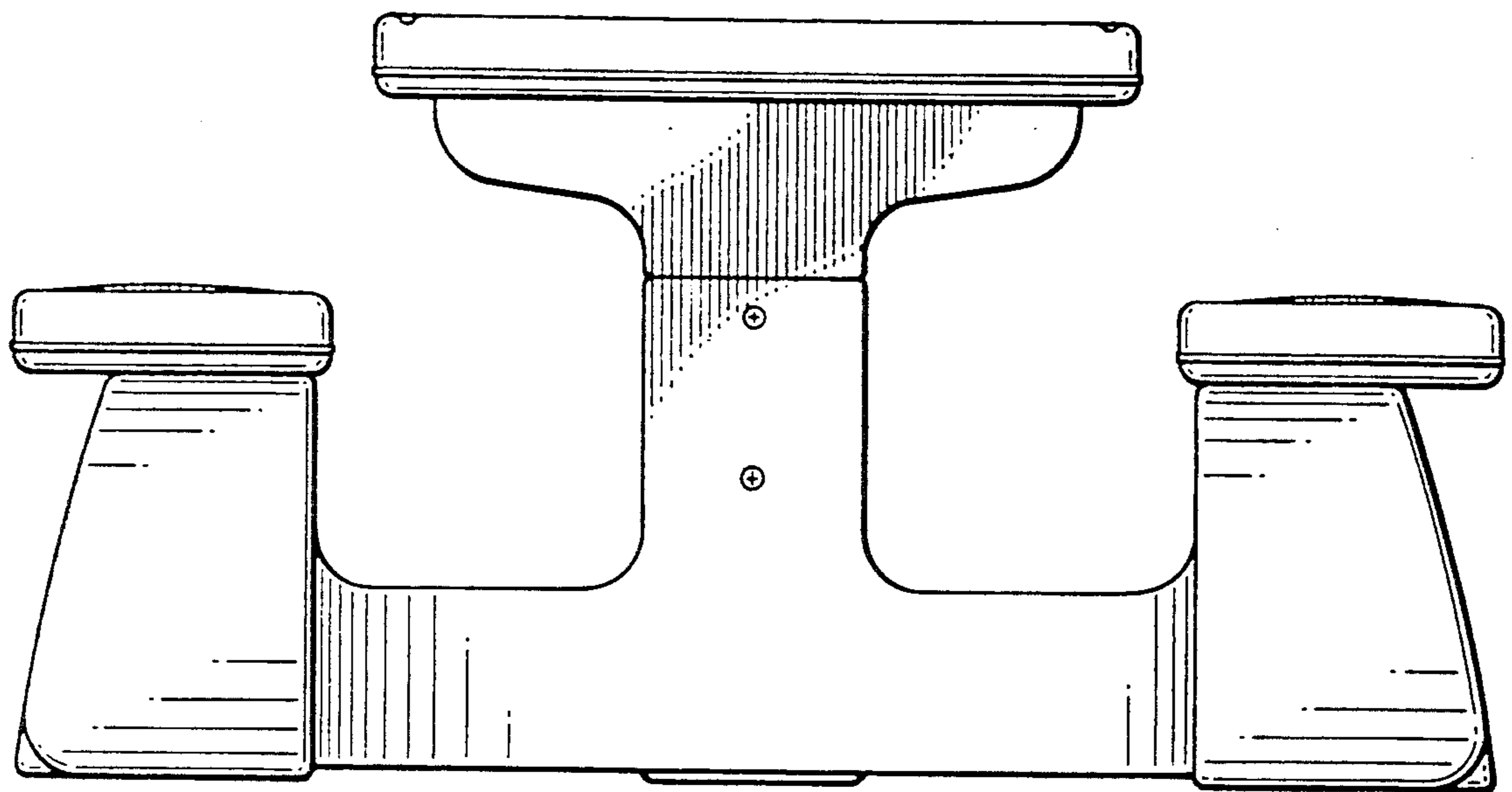


FIG. 2

*FIG. 3*



*FIG. 5*



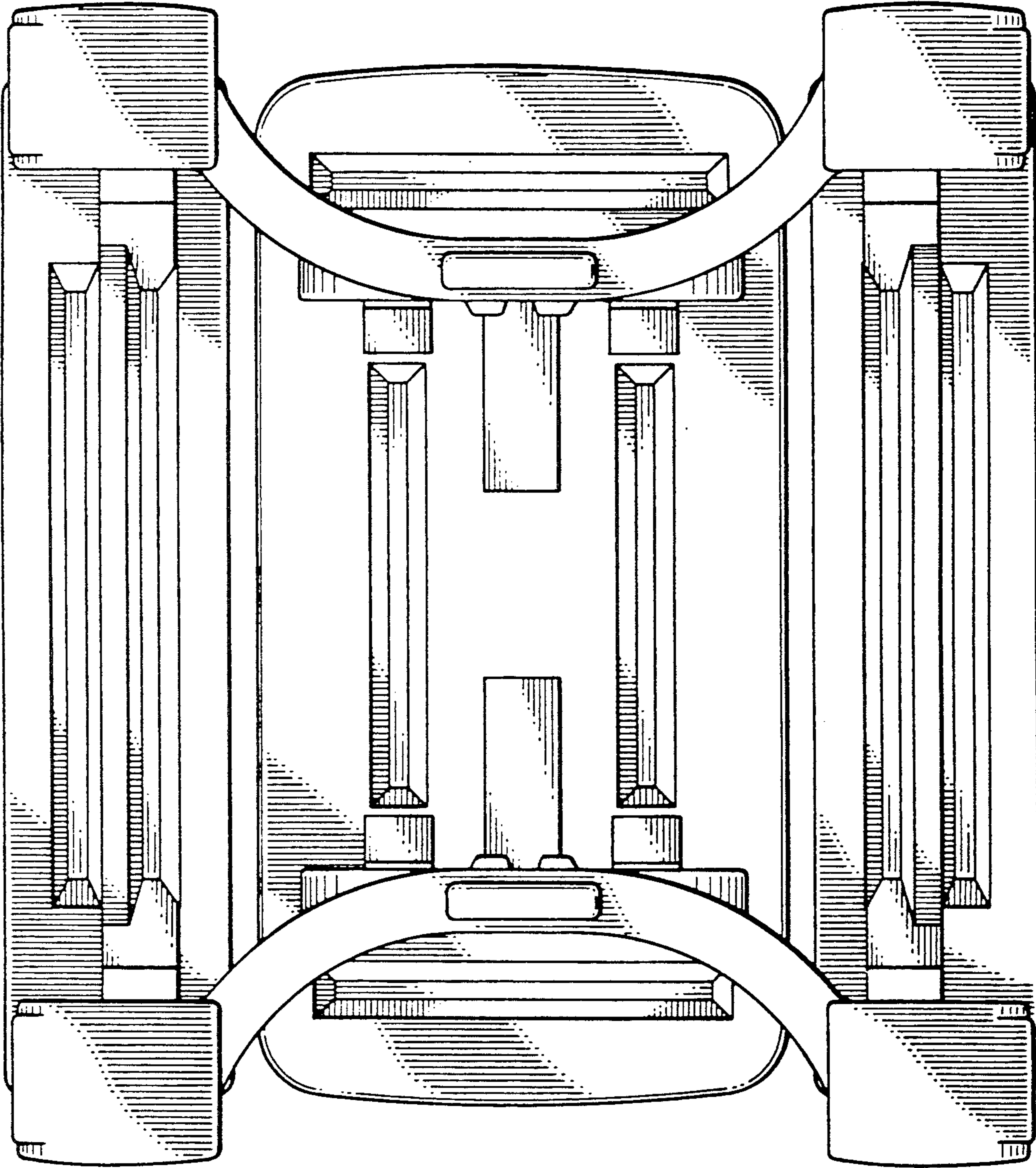
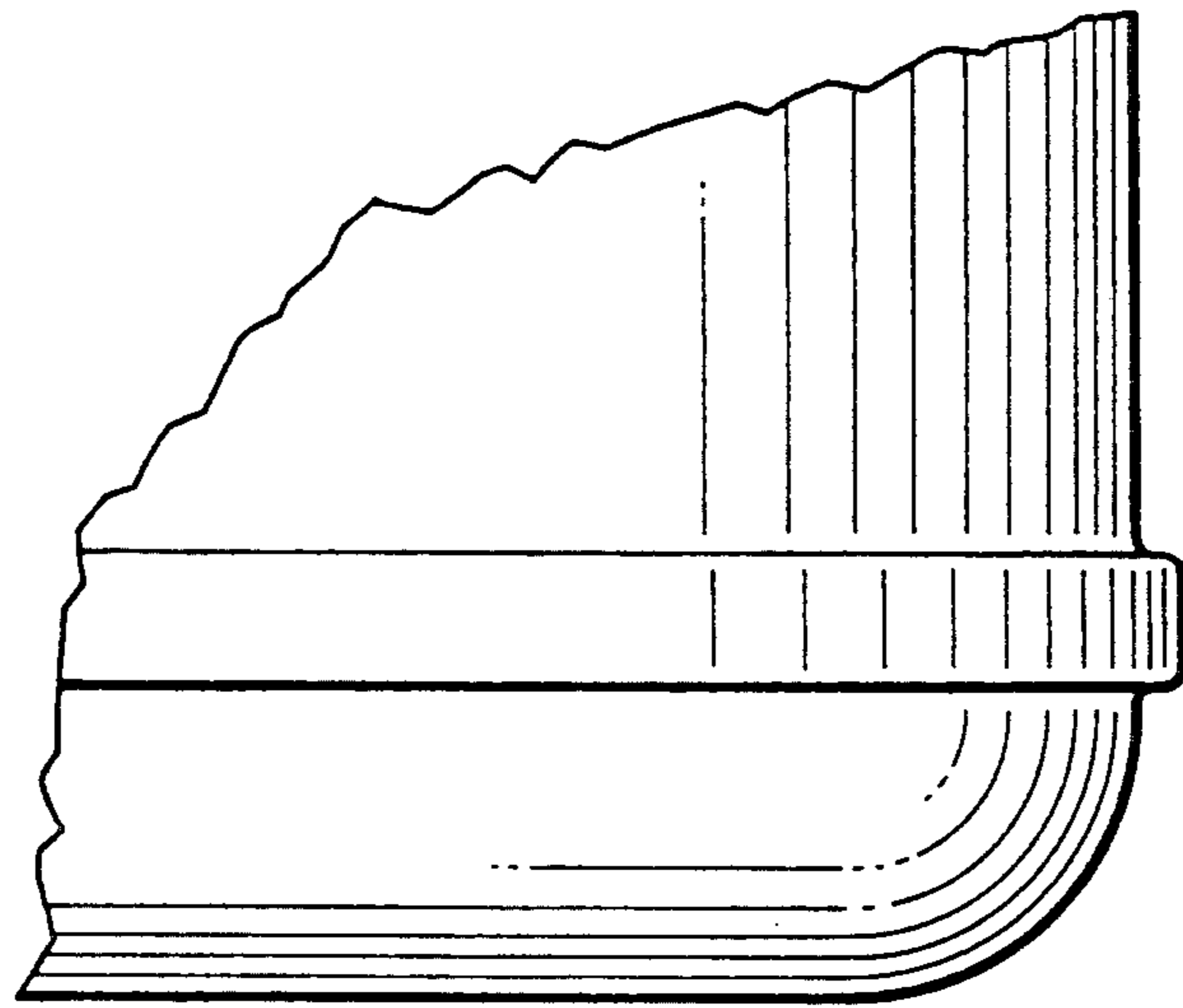


FIG. 4



*FIG. 6*