



US00D327175S

United States Patent [19]

[11] Patent Number: **Des. 327,175**

Mariol

[45] Date of Patent: **** Jun. 23, 1992**

[54] **ARTICLE USEFUL AS BOOSTER CHAIR AND AS STEP STOOL**

2,622,658	12/1952	Morgan	297/2 X
3,556,586	1/1971	Broadmore	297/3
3,982,784	9/1976	Esser	297/1
4,241,949	12/1980	Parker	297/3
4,521,052	6/1985	Cone	297/3

[76] Inventor: **John V. Mariol**, 7163 Honeywood Ct., Cincinnati, Ohio 54230

[**] Term: **14 Years**

FOREIGN PATENT DOCUMENTS

[21] Appl. No.: **388,707**

28653 2/1957 Finland 297/1

[22] Filed: **Aug. 2, 1989**

[52] U.S. Cl. **D6/335; D6/333; D6/334; D6/336; D6/340; D6/349; D6/375; D6/502**

Primary Examiner—Donald P. Walsh
Assistant Examiner—Monica A. Hannon
Attorney, Agent, or Firm—Dressler, Goldsmith, Shore, Sutker & Milnamow, Ltd.

[58] Field of Search **D6/333, 334, 335, 337, D6/339, 340, 344, 346, 347, 349, 350, 356, 364, 365, 366, 370, 772, 374, 378, 379, 496, 497, 498, 499, 500, 501, 502, 503; D21/123; D34/23**

[57] CLAIM

The ornamental design for an article useful as booster chair and as step stool, as shown and described.

[56] References Cited

U.S. PATENT DOCUMENTS

D. 144,404	4/1946	Mabry	297/3 X
D. 243,088	1/1977	Halvorsen	D6/375 X
D. 262,242	12/1981	Molnar	D6/333
D. 283,855	5/1986	Kujawski	D6/333
D. 284,911	8/1986	Lemmeyer	D6/349
D. 307,019	4/1990	Rosenblad	D6/502 X
2,440,979	5/1988	Schneider	297/3
2,458,621	1/1949	Miller	248/188.9 X

DESCRIPTION

FIG. 1 is a front perspective view of an article useful as a booster chair and as a step stool thereof; FIG. 2 is a bottom perspective view thereof; FIG. 3 is a top plan view thereof; FIG. 4 is a front elevational view thereof; FIG. 5 is a left side elevational view thereof; FIG. 6 is a right side elevational view thereof; FIG. 7 is a rear elevational view thereof; and, FIG. 8 is a bottom plan view thereof.

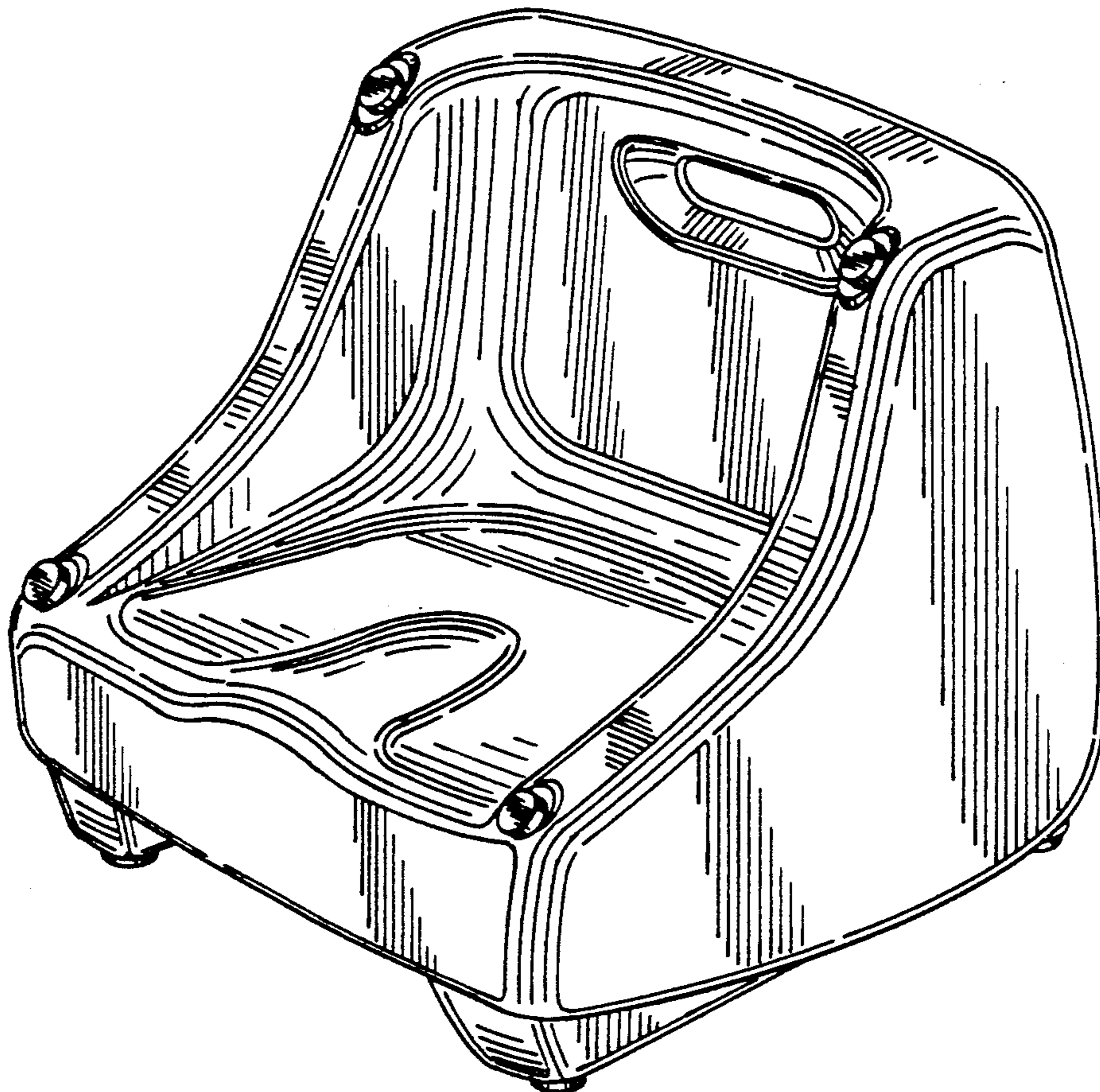


FIG. 1

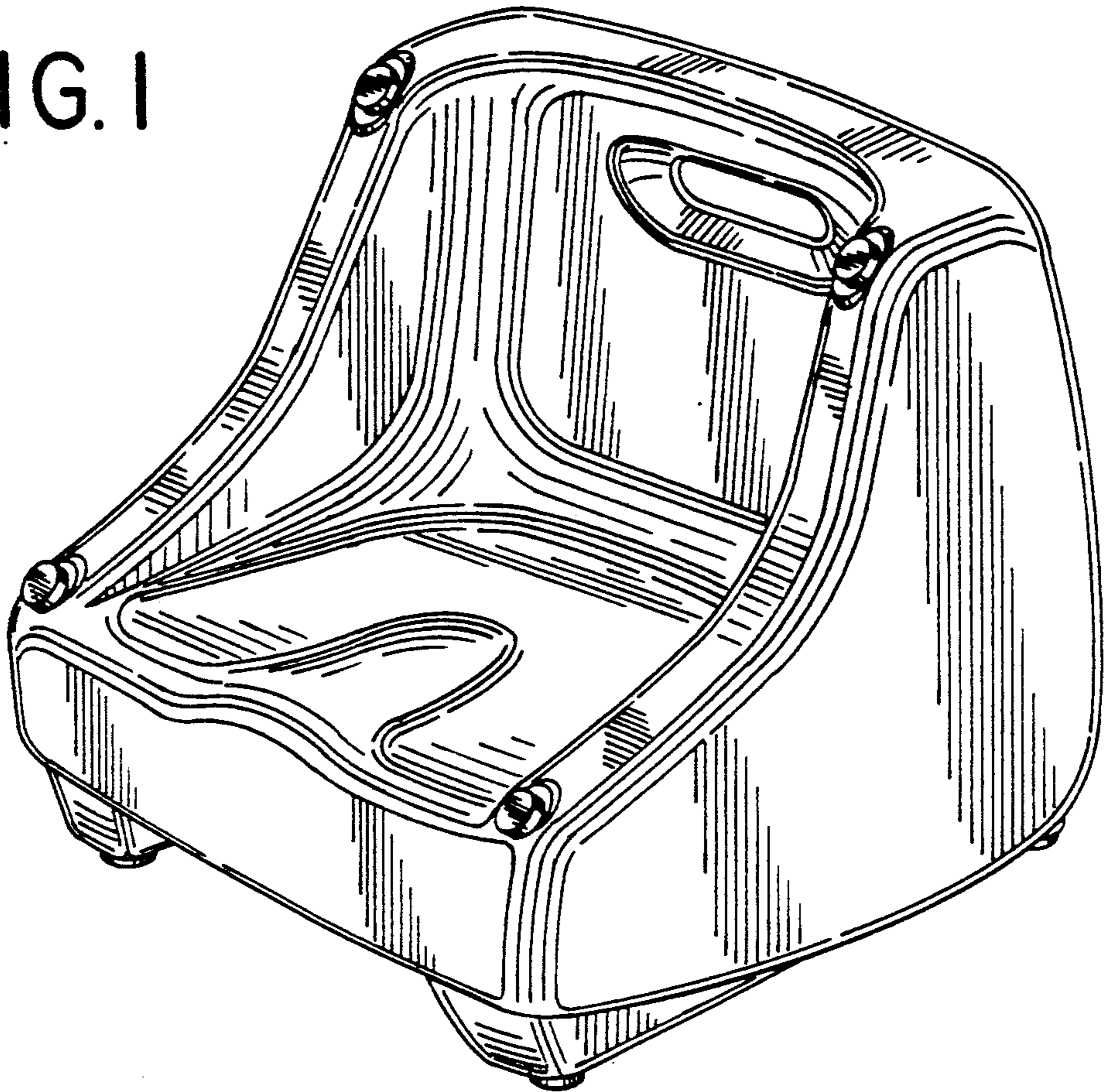


FIG. 2

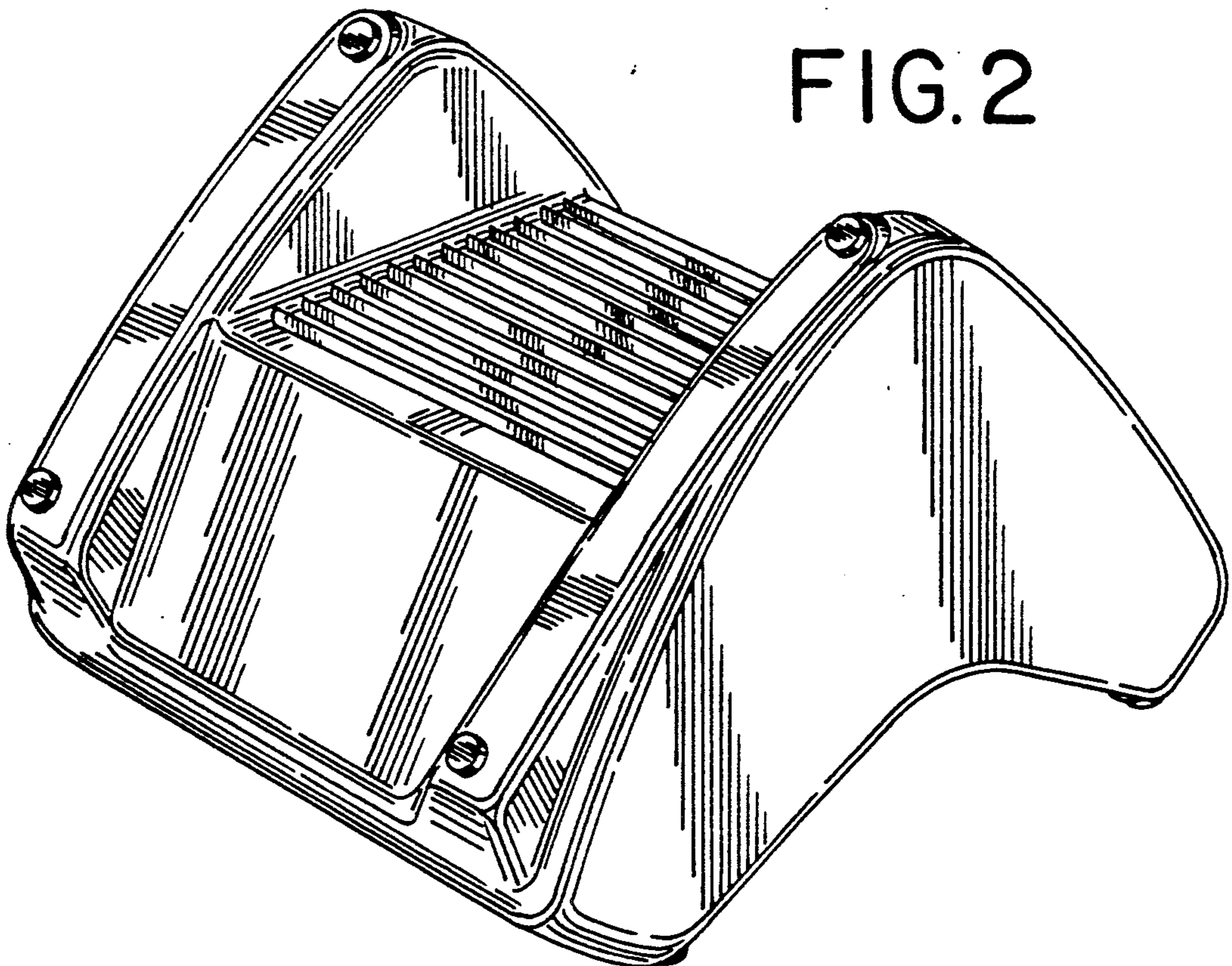


FIG.3

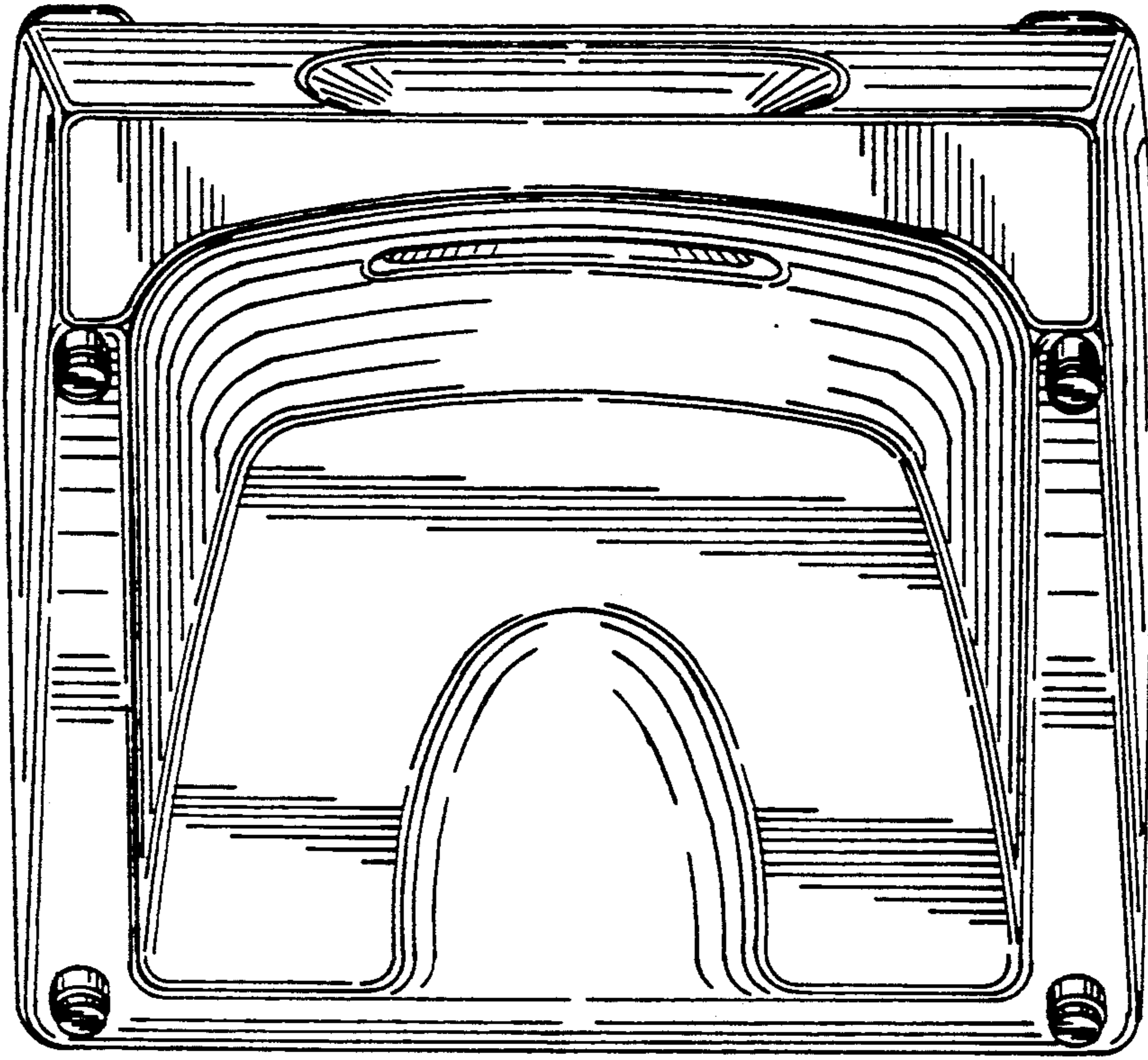


FIG.4

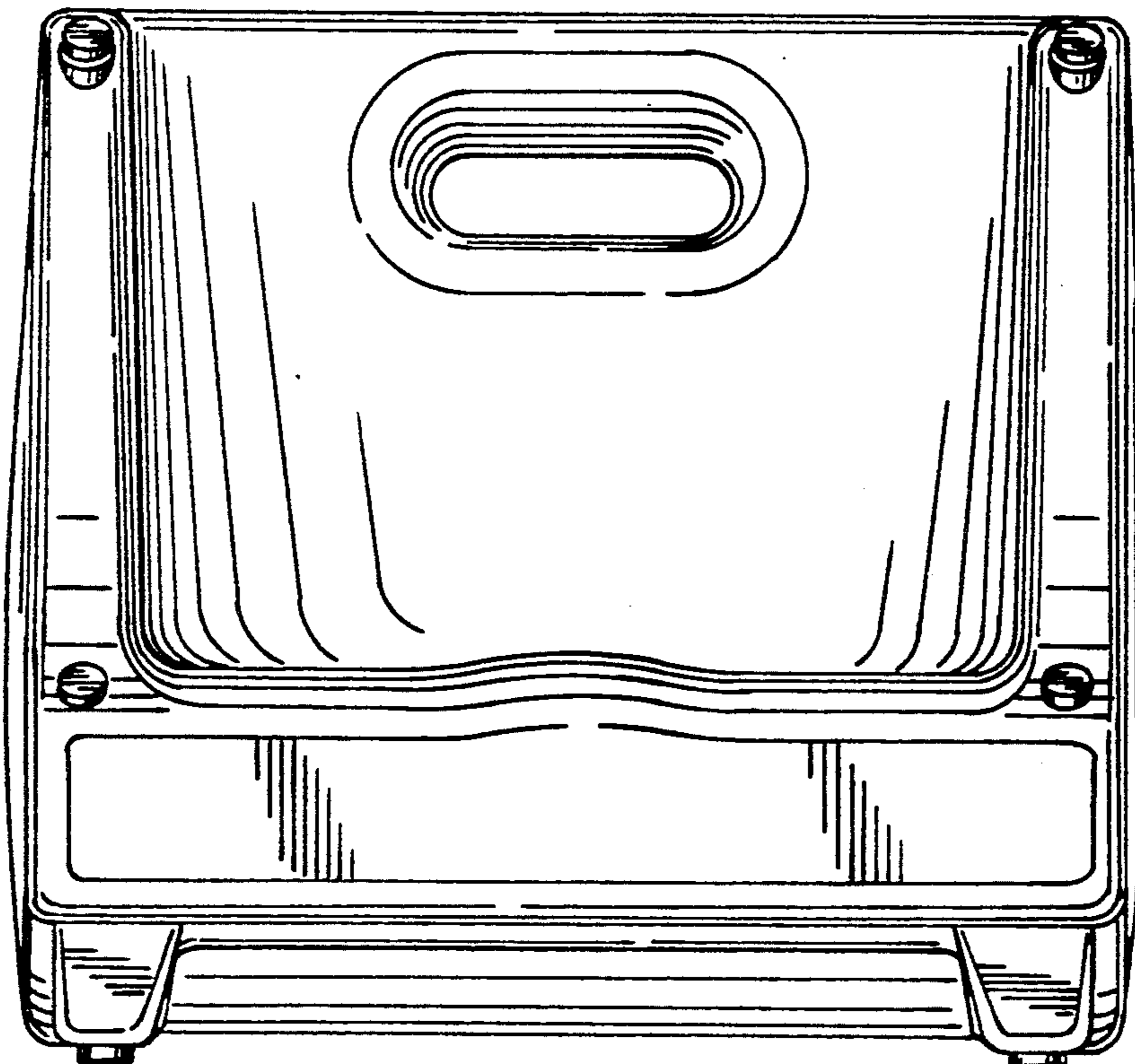


FIG.5

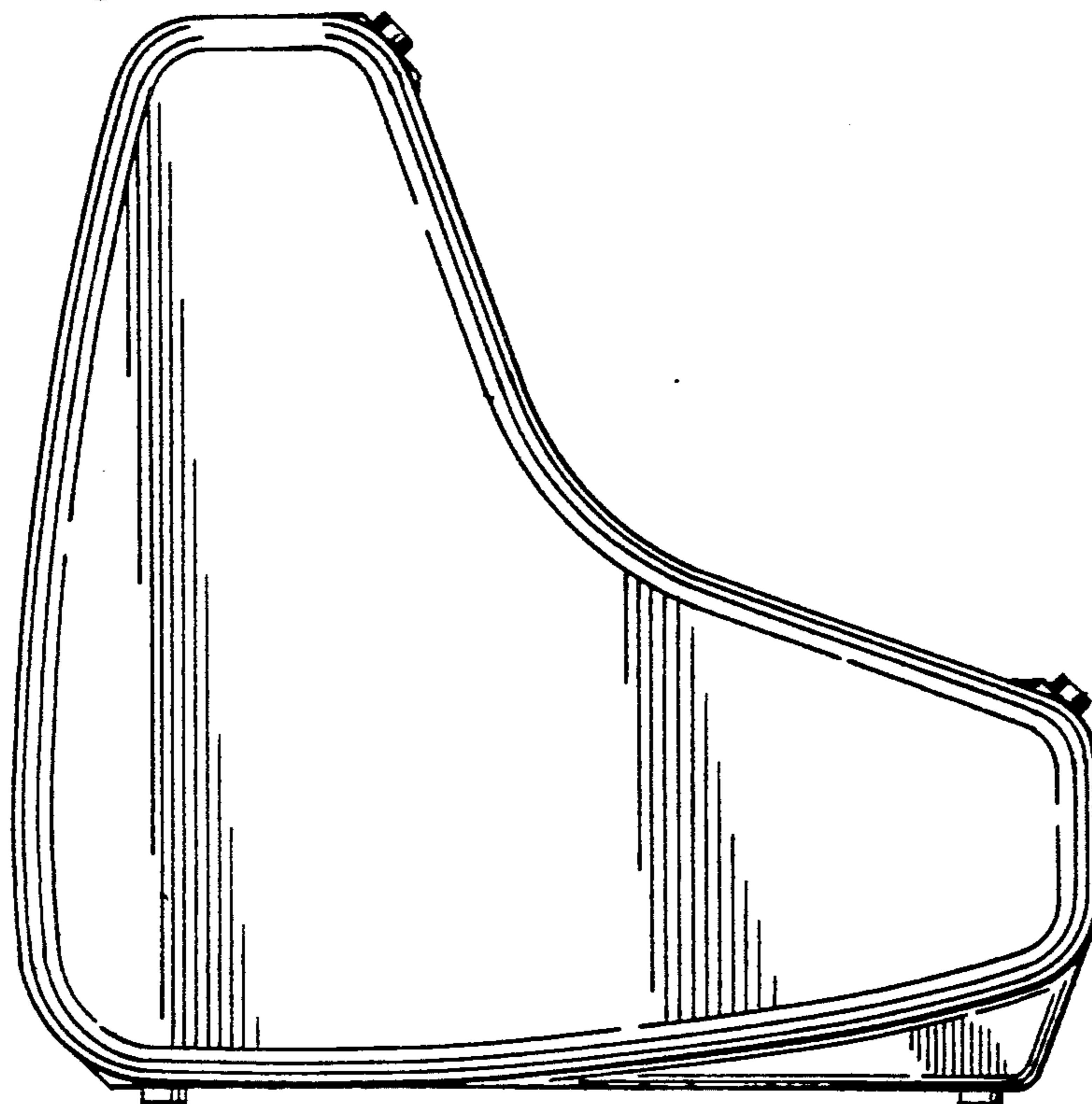


FIG.6

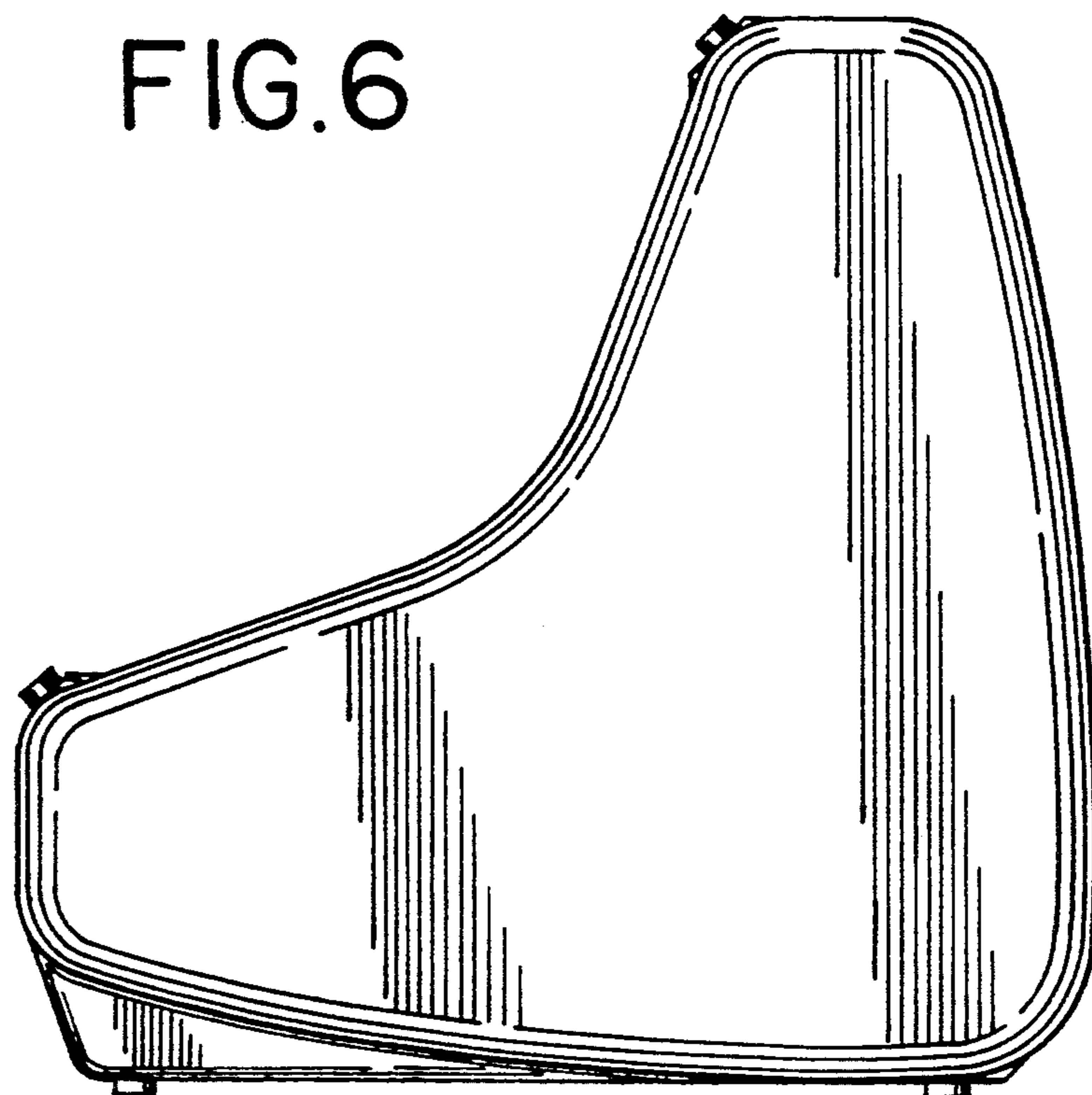


FIG. 7

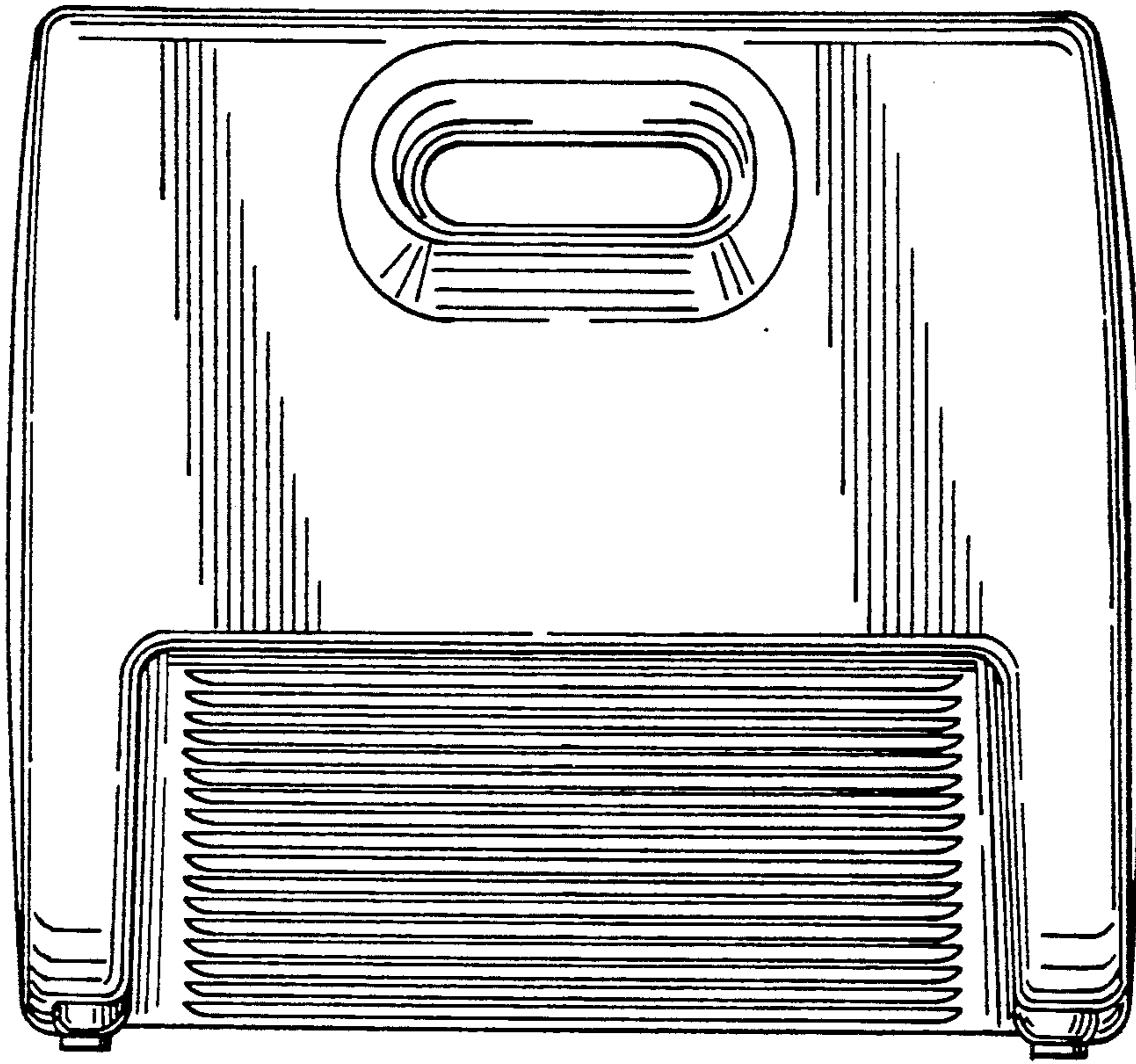


FIG. 8

