



US00D327174S

United States Patent [19] Hopfer

[11] Patent Number: **Des. 327,174**

[45] Date of Patent: **** Jun. 23, 1992**

[54] CHAIR

D. 269,651 7/1983 Blowers D6/364
D. 313,893 1/1991 Hopfer D6/381

[75] Inventor: **Hans Hopfer, Paris, France**

[73] Assignee: **Lenzburg Design AG, Lenzburg, Switzerland**

[**] Term: **14 Years**

[21] Appl. No.: **322,830**

[22] Filed: **Mar. 13, 1989**

[30] **Foreign Application Priority Data**

Sep. 13, 1988 [WO] World Int. Prop. O. ... DM/011 731

[52] U.S. Cl. **D6/334**

[58] Field of Search D6/334, 361, 364, 368,
D6/372, 378, 500

[56] **References Cited**

U.S. PATENT DOCUMENTS

D. 251,938 5/1979 Spound et al. D6/334
D. 259,601 6/1981 Marks D6/334
D. 264,649 6/1982 Saporiti D6/334
D. 269,482 6/1983 Ungaro D6/361

OTHER PUBLICATIONS

Domus, Jul. 1970, p. 36, chair #20, 3rd down on right.
Furniture Specialties, chair at left, #1416.
Contract Interiors, Jan. 1978, p. 46, chair at far left of
2nd row down.

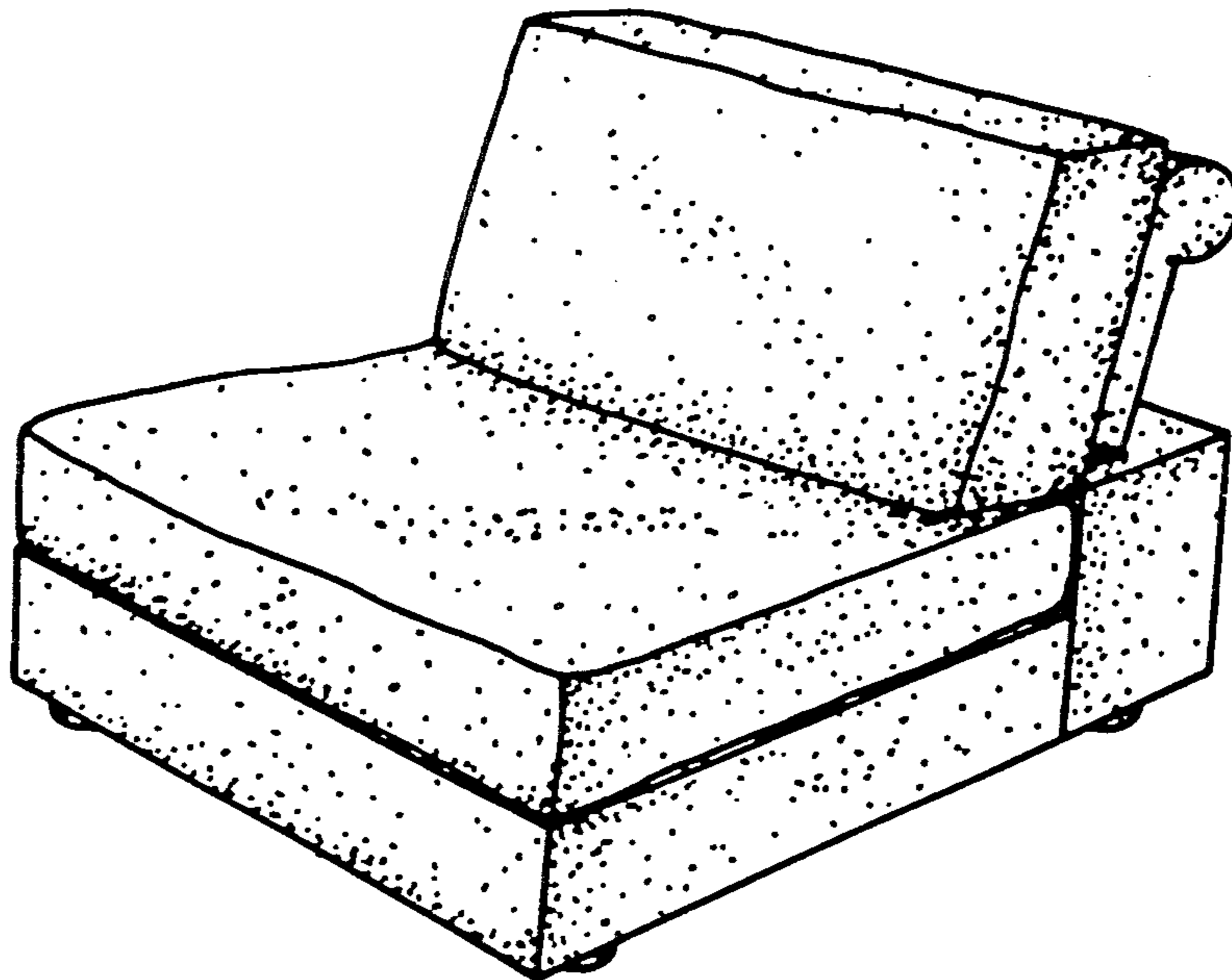
Primary Examiner—Donald P. Walsh
Assistant Examiner—Gary D. Watson
Attorney, Agent, or Firm—Cushman, Darby & Cushman

[57] **CLAIM**

The ornamental design for a chair, as shown and described.

DESCRIPTION

FIG. 1 is a left side elevational view of a chair showing my new design;
FIG. 2 is a front elevational view;
FIG. 3 is a rear elevational view;
FIG. 4 is a top plan view;
FIG. 5 is a rear perspective view; and
FIG. 6 is a front perspective view thereof.



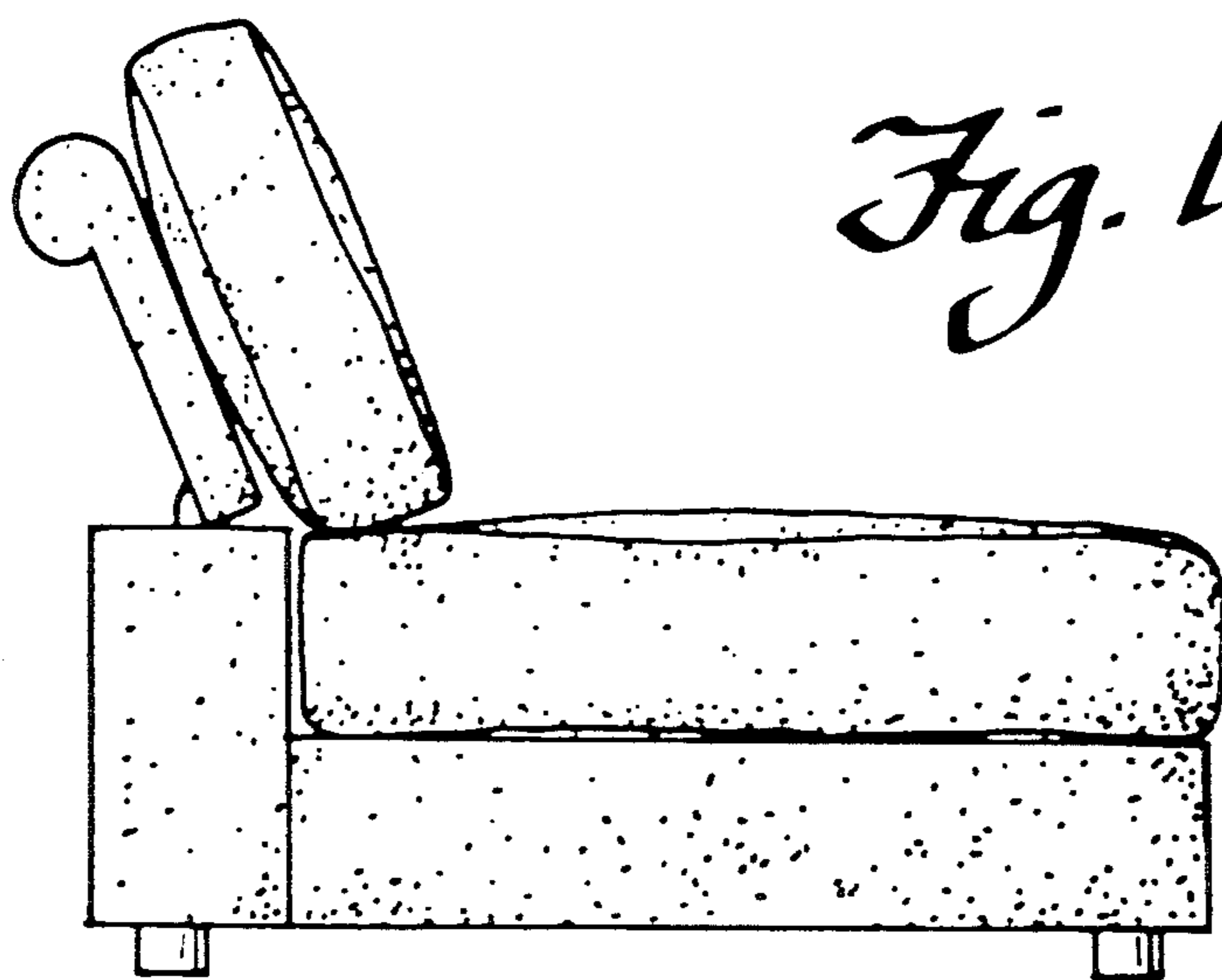


Fig. 1

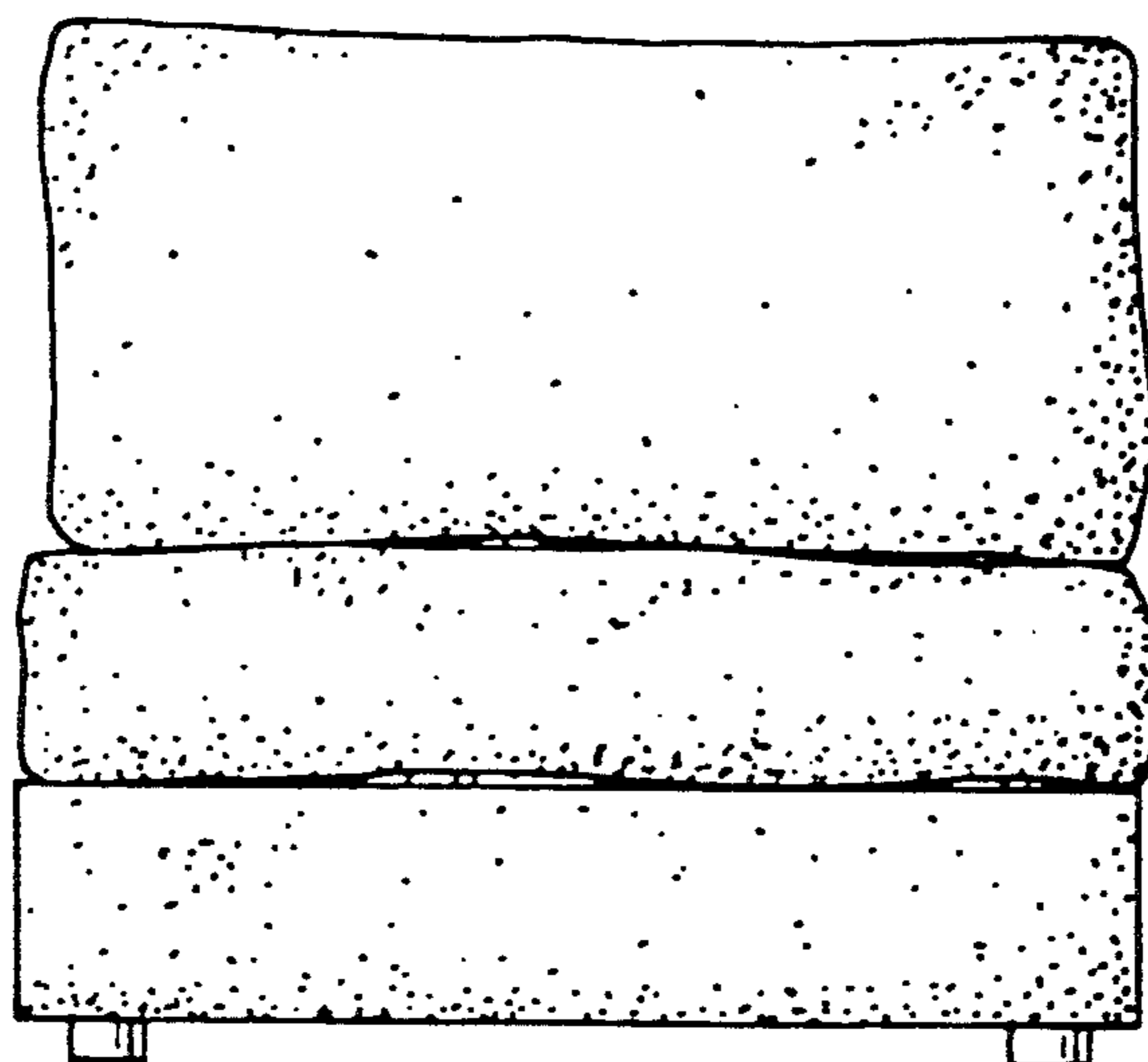


Fig. 2

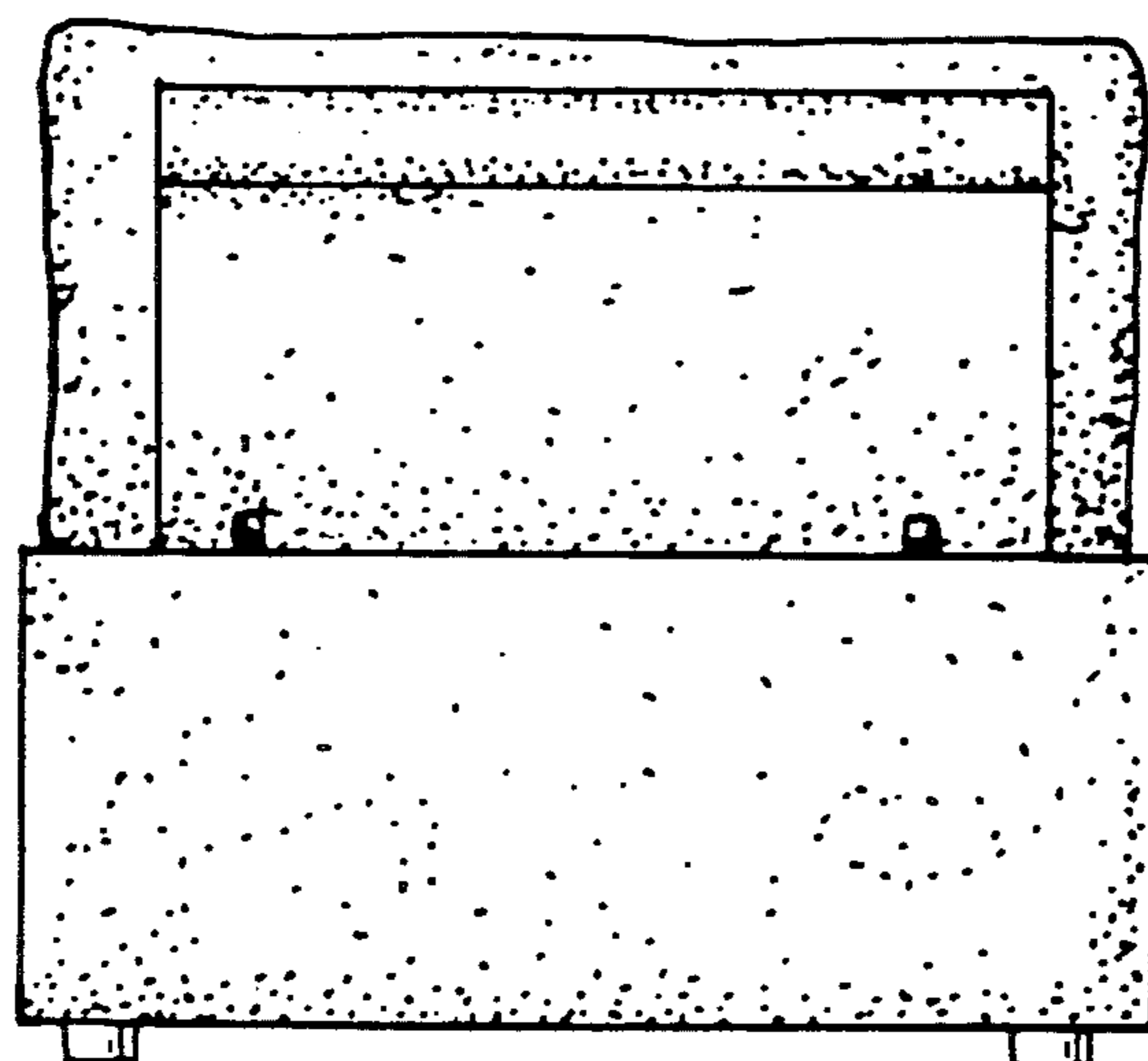


Fig. 3

Fig. 4

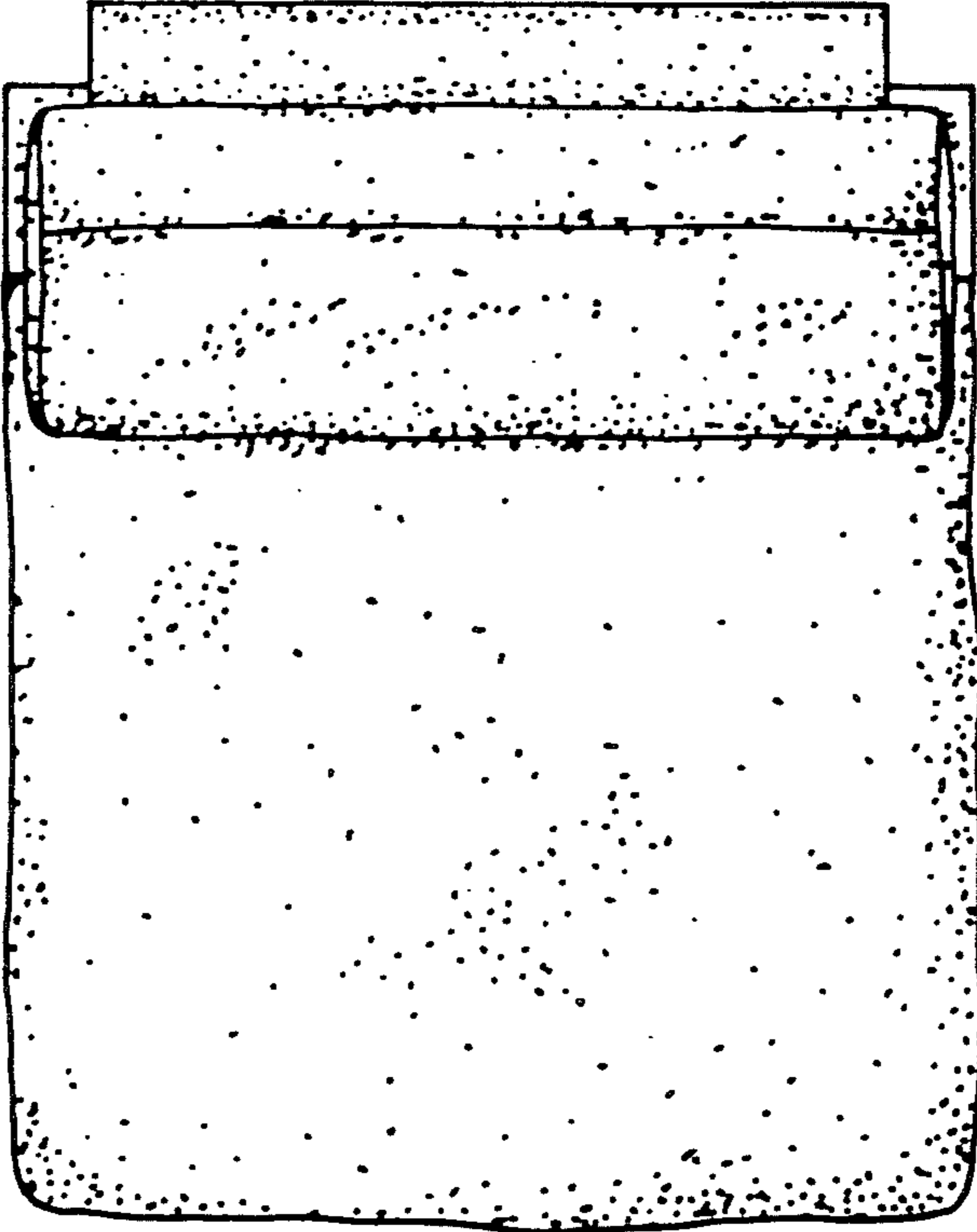


Fig. 5

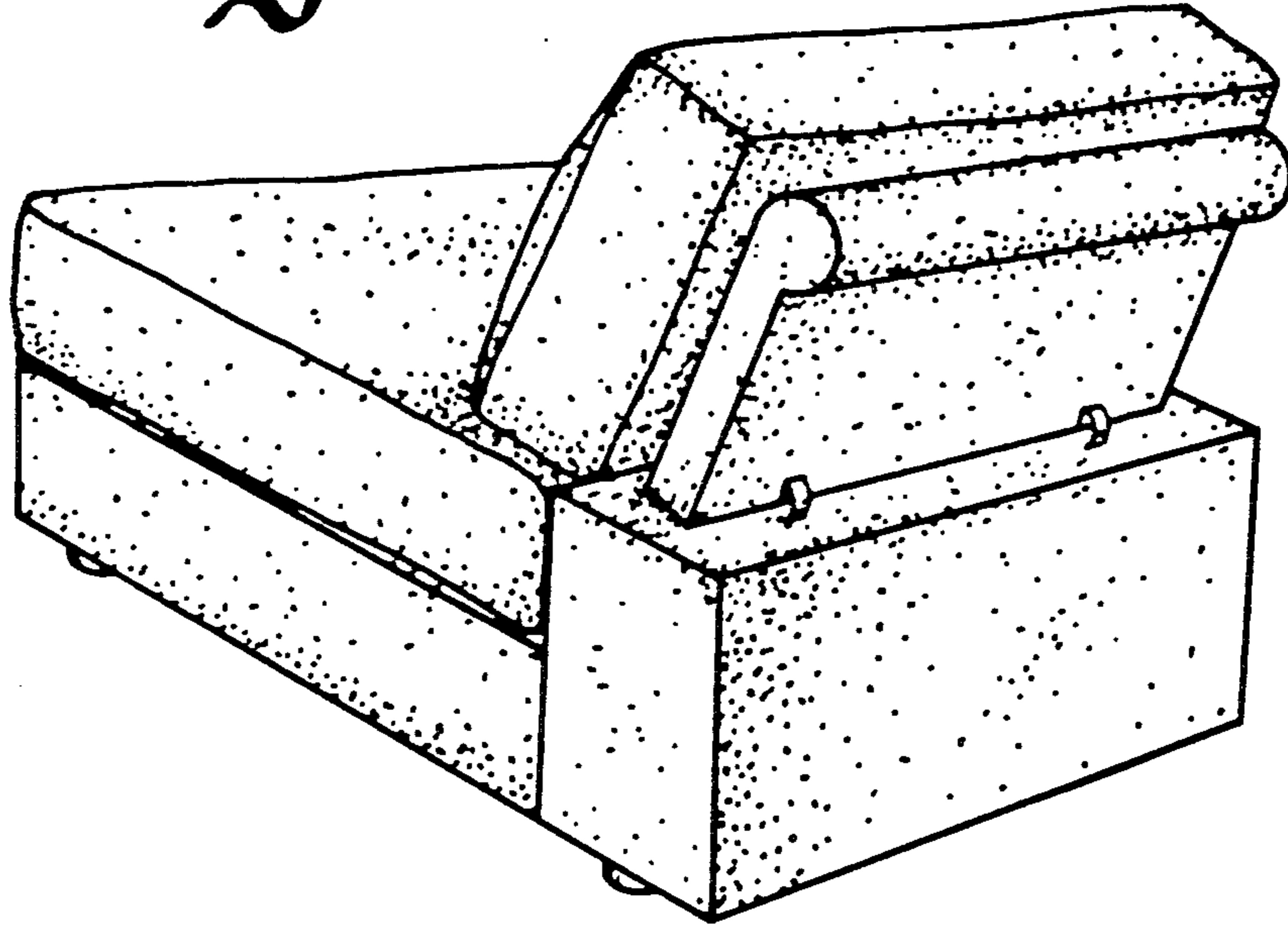


Fig. 6

