



US00D327172S

United States Patent [19]

[11] Patent Number: Des. 327,172

Pagano

[45] Date of Patent: ** Jun. 23, 1992

[54] **BOOK HOLDER**

[76] Inventor: Samuel Pagano, 1632 Squaw Creek Dr., Giard, Ohio 44420

[**] Term: 14 Years

[21] Appl. No.: 371,013

[22] Filed: Jun. 26, 1989

[52] U.S. Cl. D6/312; D6/310; D6/400; D6/419; D19/91; 248/460

[58] Field of Search D6/312, 310, 311, 313, D6/314, 407, 417, 419, 420-428, 441, 445, 446, 456, 474; D3/35; D19/90, 91; 248/156, 441.1, 444.1, 459, 460, 530; 206/387; 312/194-196; 108/1, 6, 8

D. 158,382	5/1950	Herman	D6/310
D. 219,757	1/1971	Pagano	D19/91 X
D. 266,461	10/1982	Helzer	D6/310
D. 291,628	9/1987	Poltere	D6/310
2,522,345	9/1950	Cashiopp	248/460 X
2,752,887	7/1956	Kling	248/460 X
3,637,172	1/1972	Diesbach	248/460

Primary Examiner—Donald P. Walsh
Assistant Examiner—Monica Hannon
Attorney, Agent, or Firm—Harpman & Harpman

[57] CLAIM

The ornamental design for a book holder, as shown and described.

DESCRIPTION

FIG. 1 is a side elevational view of a book holder, the opposite side being a mirror image, showing my new design;

FIG. 2 is a front elevational view thereof;

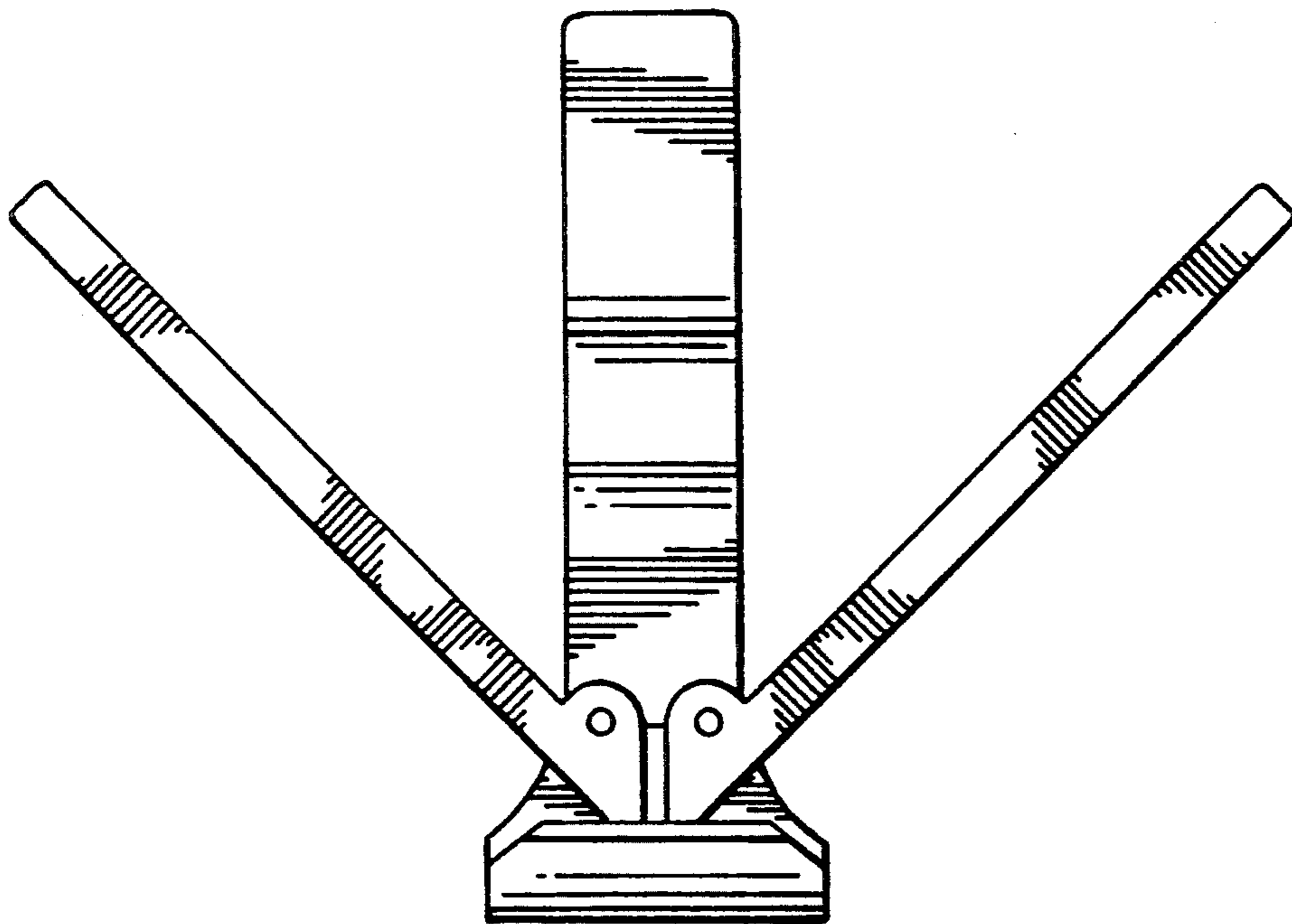
FIG. 3 is a bottom plan view thereof; and,

FIG. 4 is a rear elevational view thereof.

[56] References Cited

U.S. PATENT DOCUMENTS

D. 59,607	11/1921	Spencer	D6/310
D. 88,825	12/1932	Reinagel	D6/310
D. 118,585	1/1940	Reynolds	D6/310



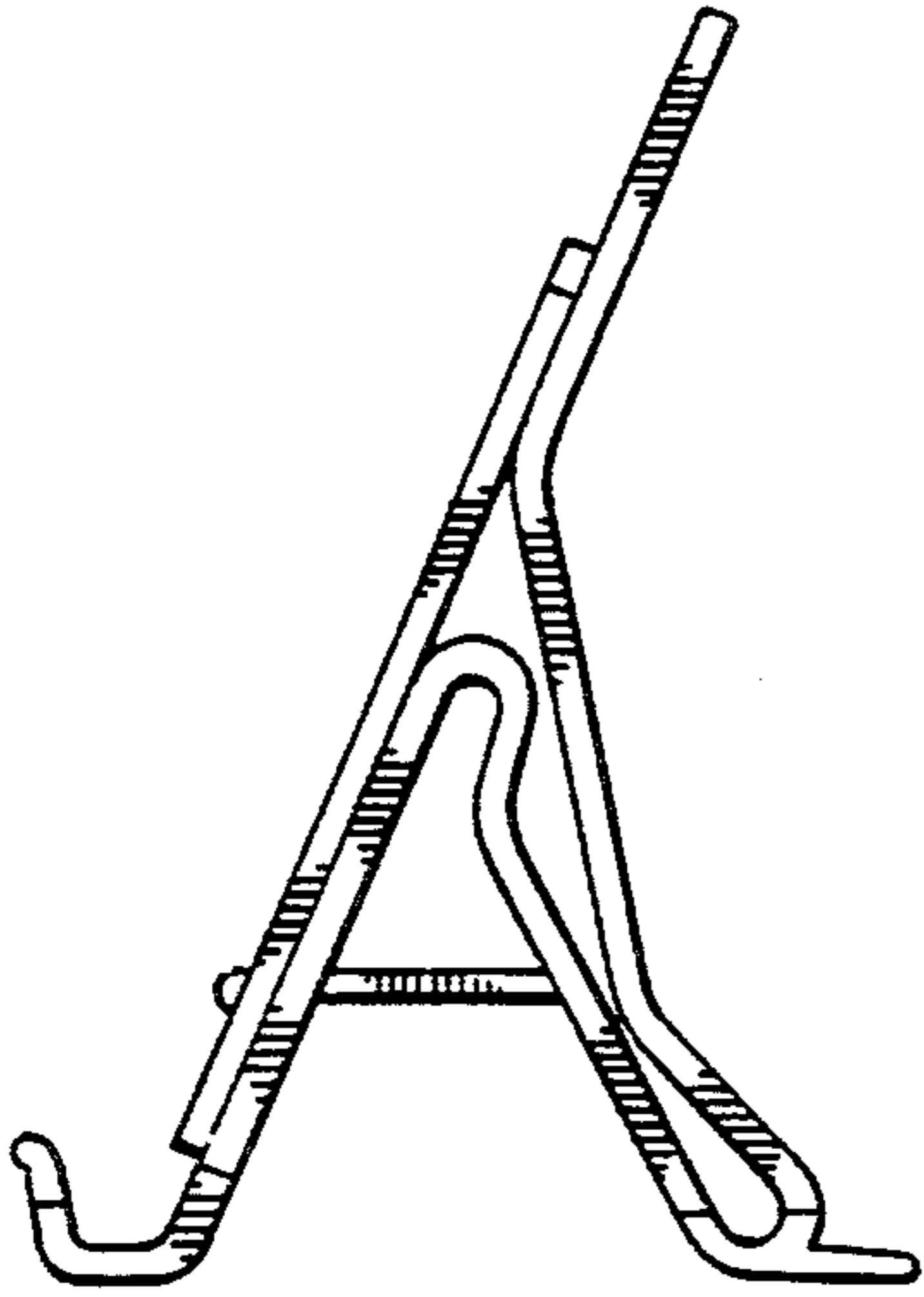


FIG. 1

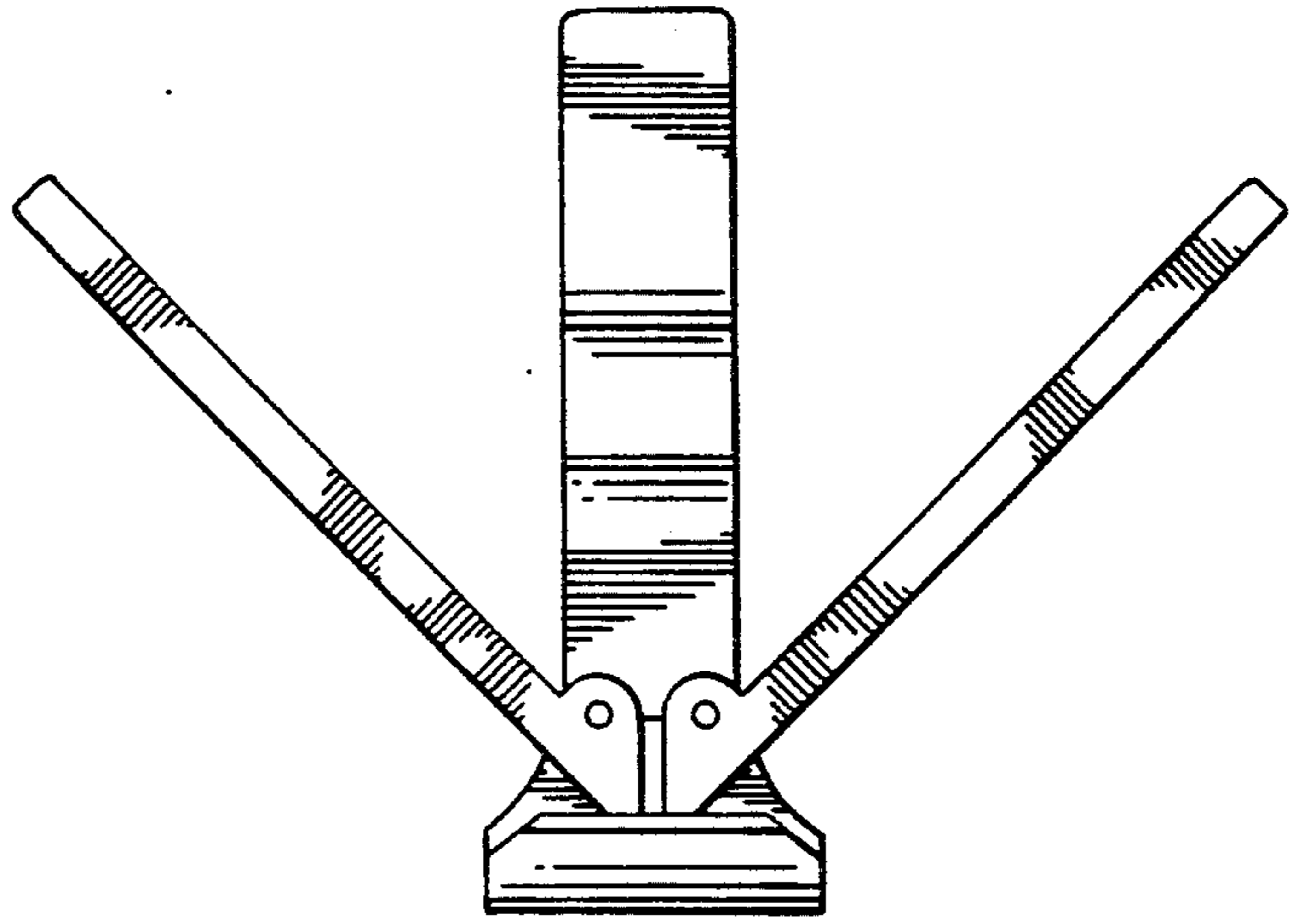


FIG. 2

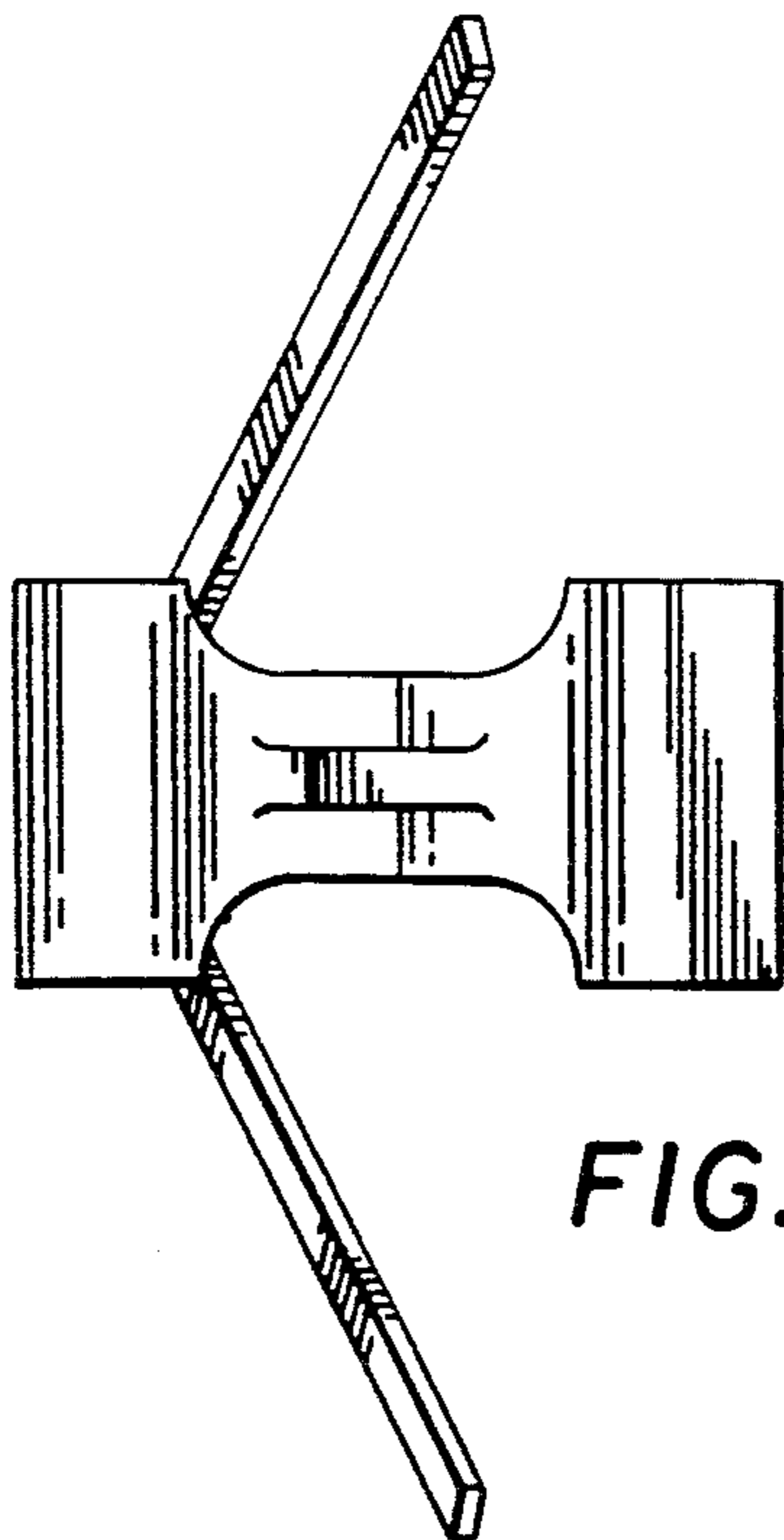


FIG. 3

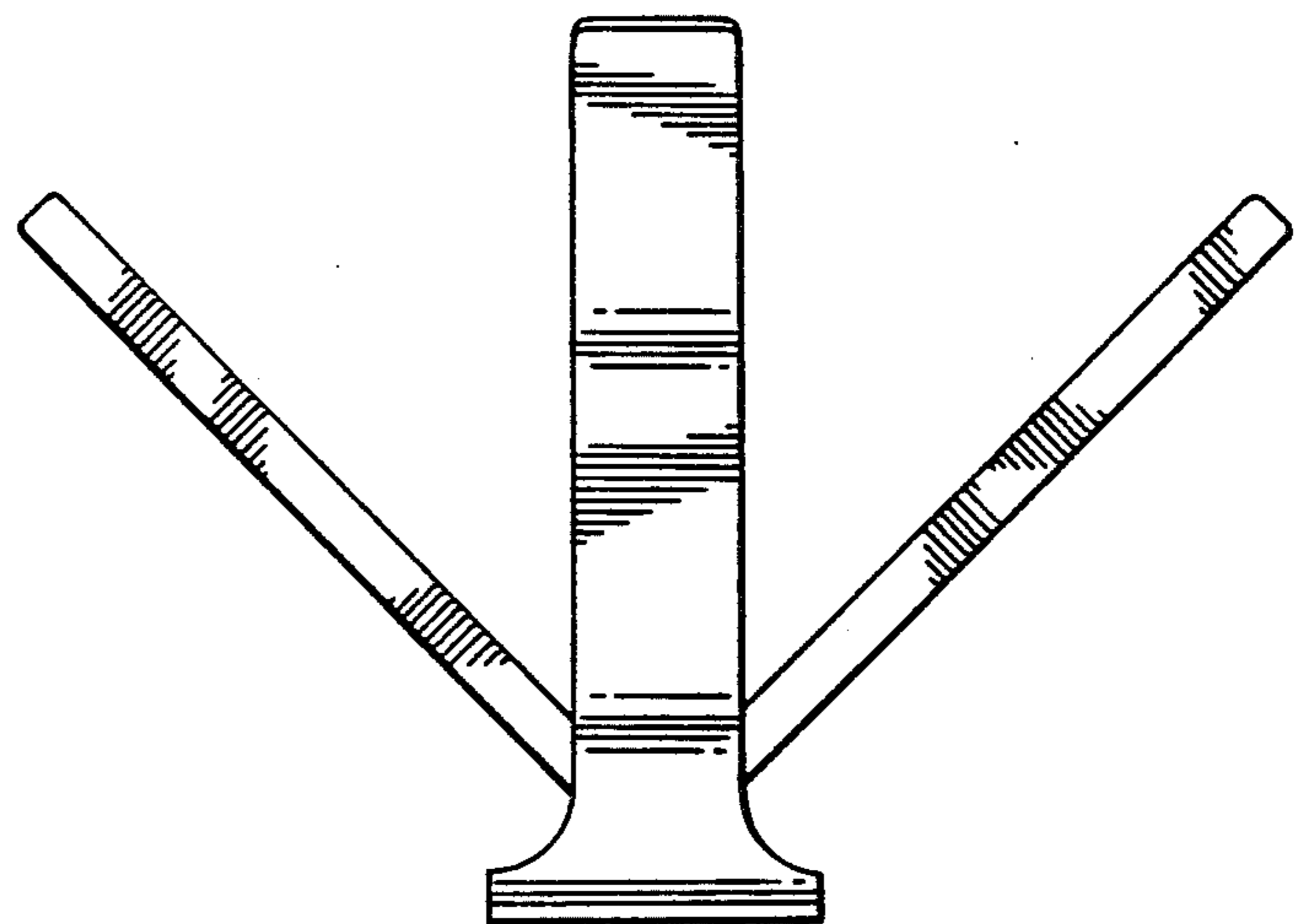


FIG. 4