



US00D327168S

United States Patent [19]

[11] Patent Number: **Des. 327,168**

Antonious

[45] Date of Patent: **** Jun. 23, 1992**

[54] **GOLF CLUB HOLDER INSERT FOR A GOLF BAG**

4,796,752 1/1989 Reimers 206/315.6 X

[76] Inventor: **Anthony J. Antonious**, 7738 Calle Facil, Sarasota, Fla. 34238

Primary Examiner—Louis S. Zarfaz
Assistant Examiner—M. N. Pandozzi
Attorney, Agent, or Firm—N. J. Aquilino

[**] Term: **14 Years**

[57] **CLAIM**

[21] Appl. No.: **539,456**

The ornamental design for a golf club holder insert for a golf bag, as shown and described.

[22] Filed: **Jun. 18, 1990**

[52] U.S. Cl. **D3/37; D3/36**

[58] Field of Search **D3/36, 37, 66; 206/315.6, 315.2; 220/506, 507, 23.83; 280/DIG. 6**

DESCRIPTION

[56] **References Cited**

U.S. PATENT DOCUMENTS

1,417,380	5/1922	Hatch	206/315.6
1,454,639	5/1923	Haines	220/506 X
4,155,387	5/1979	Costa	206/315.6
4,667,820	5/1987	Solheim	206/315.6
4,708,256	11/1987	Intardonao	220/23.4

FIG. 1 is a top perspective view of a golf club holder insert for a golf bag showing my new design; FIG. 2 is a top plan view thereof; FIG. 3 is a right side elevational view, the left side being a mirror image thereof; FIG. 4 is a front elevational view thereof; FIG. 5 is a rear elevational view thereof; and, FIG. 6 is a bottom plan view thereof. The broken line showing of a portion of a golf bag in FIGS. 1, 3, 4 and 5 is for illustrative purposes only and forms no part of the claimed design.

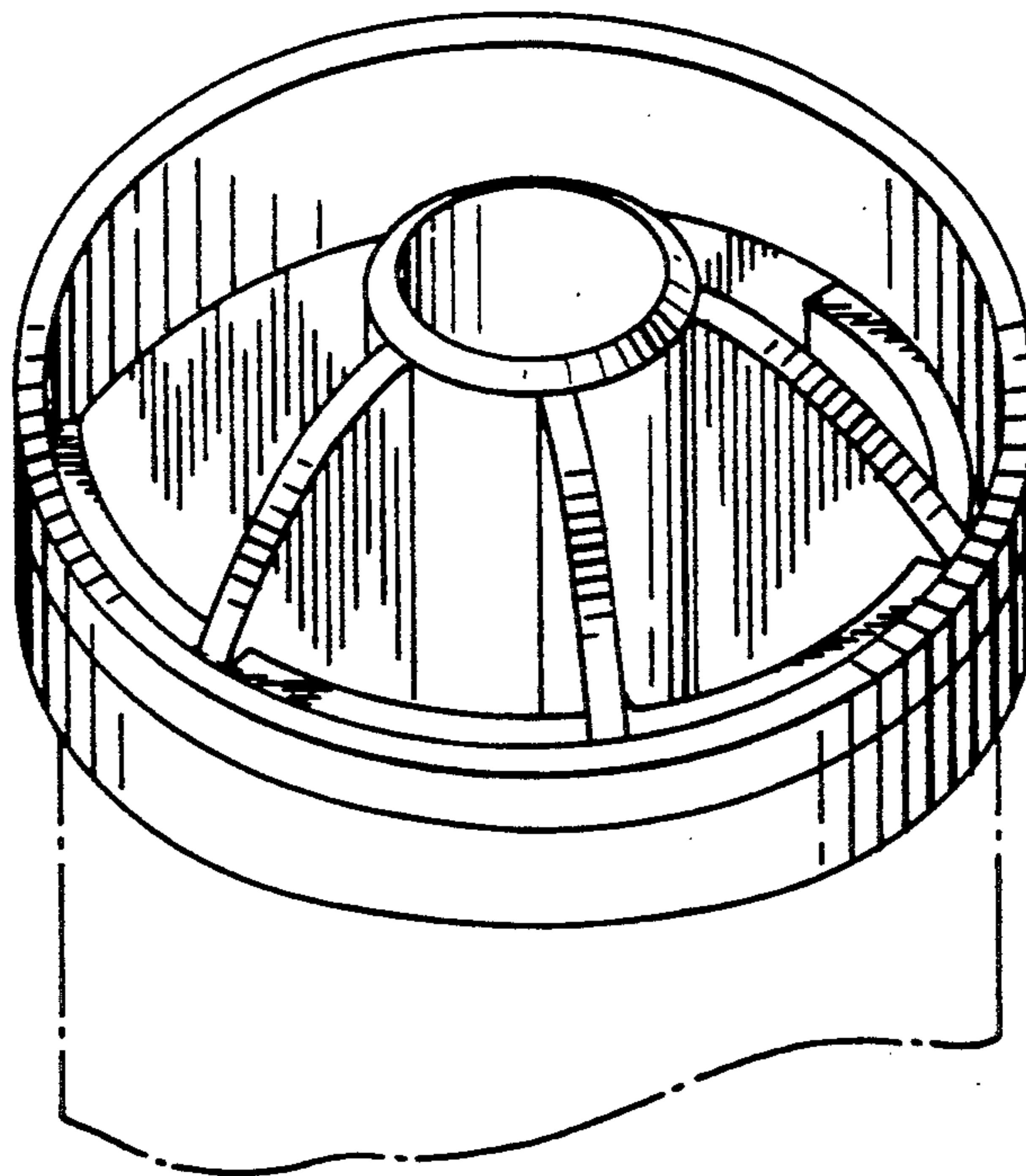


FIG. 1

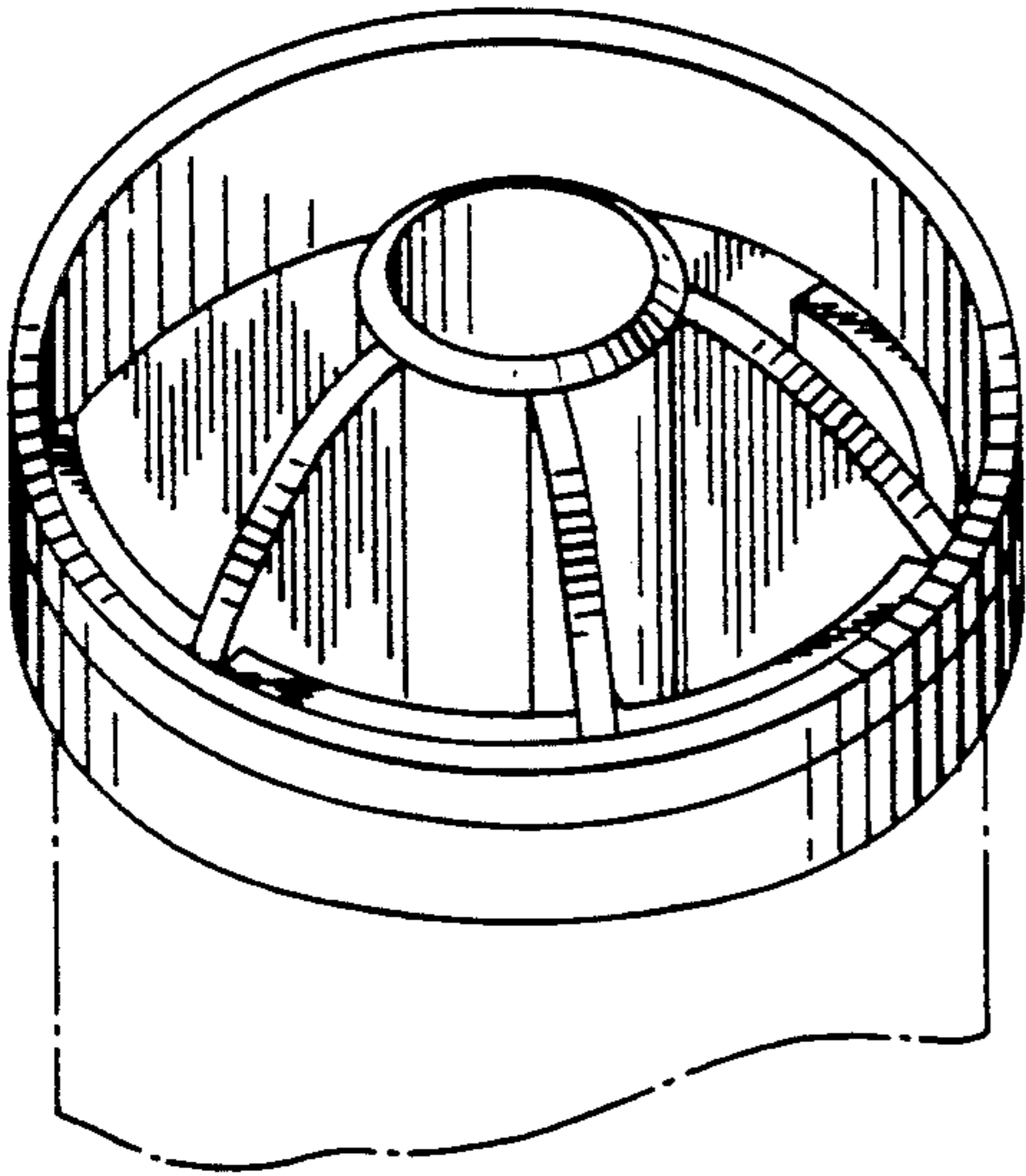


FIG. 2

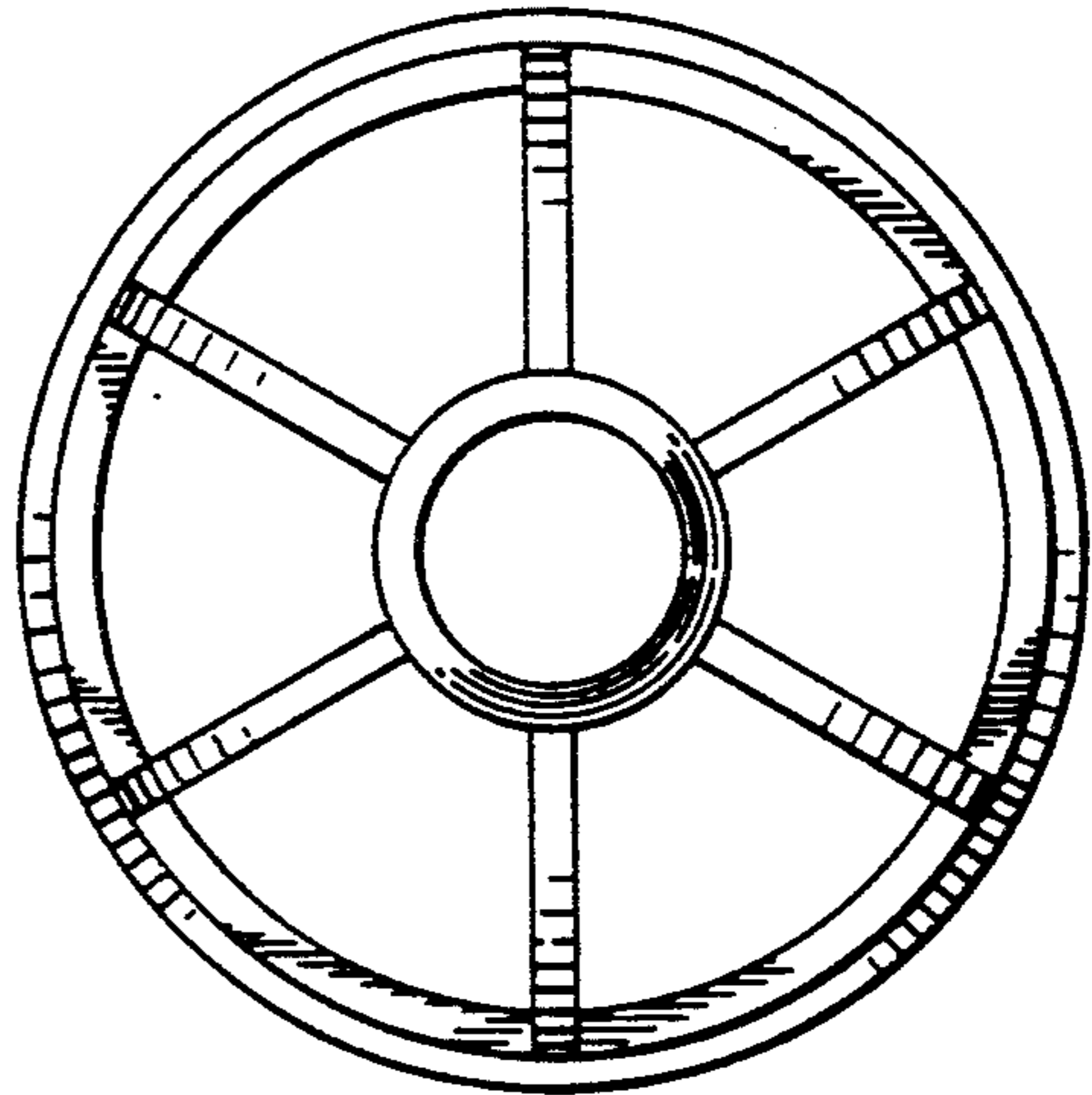


FIG. 3

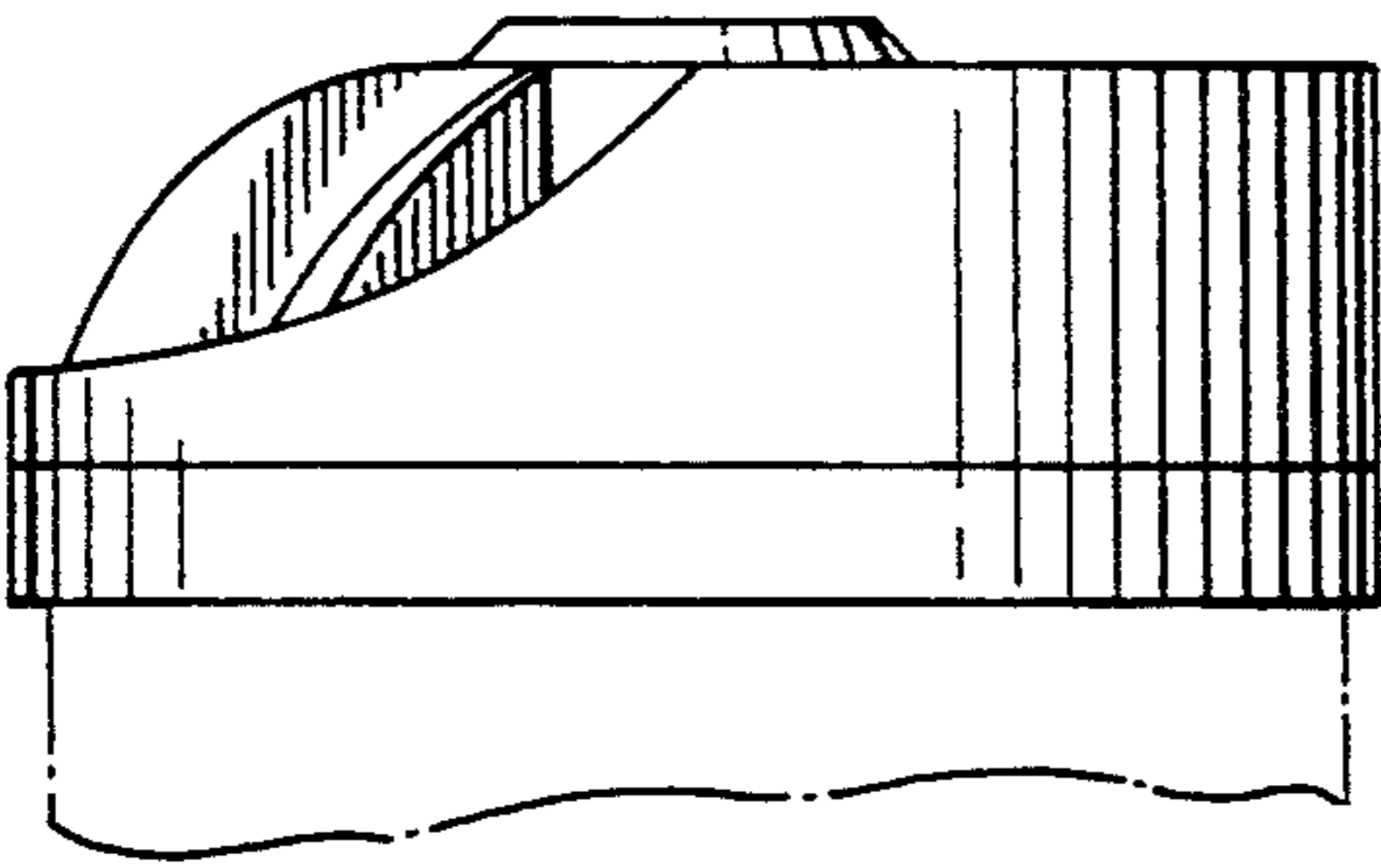


FIG. 4

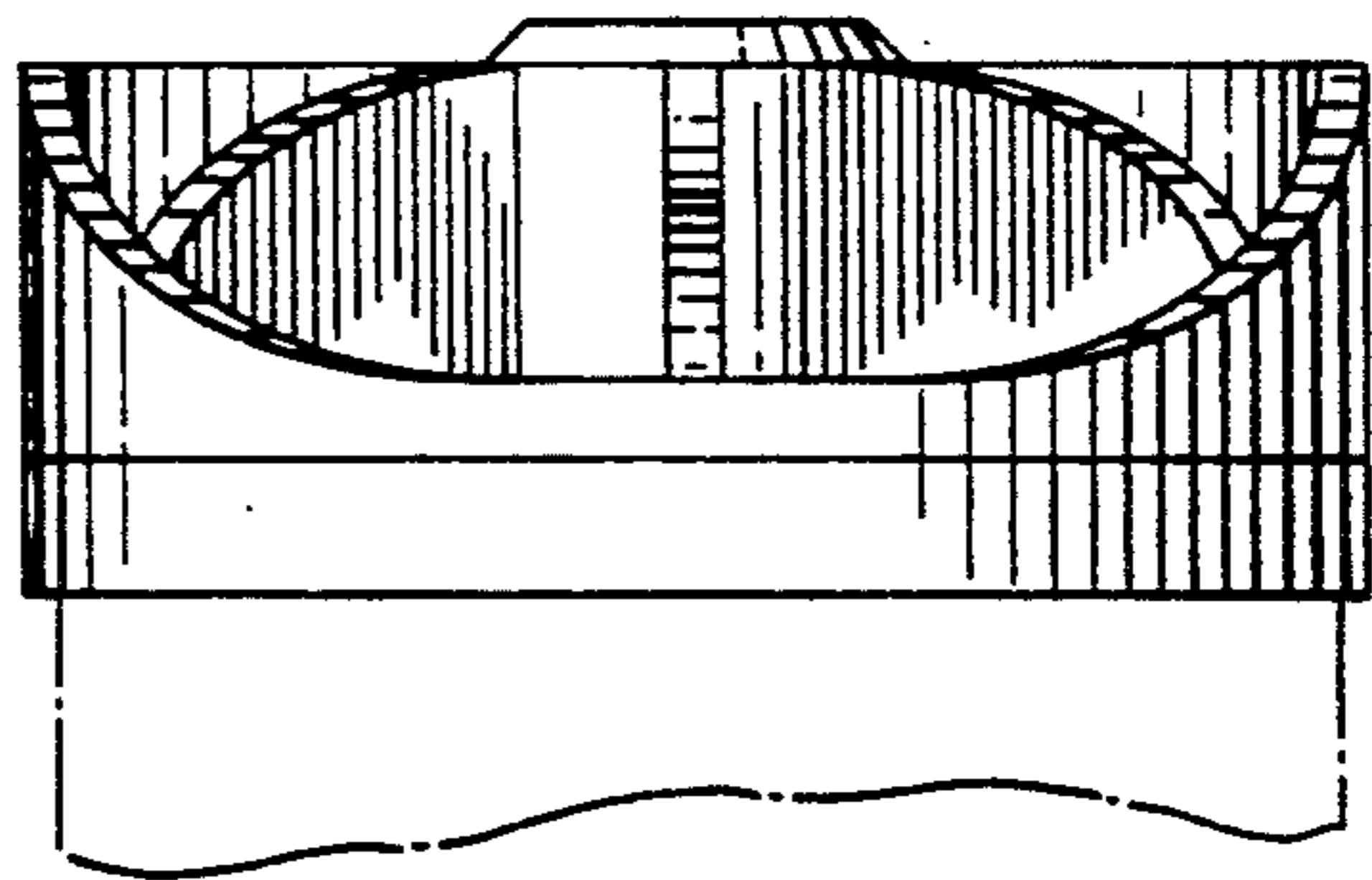


FIG. 5

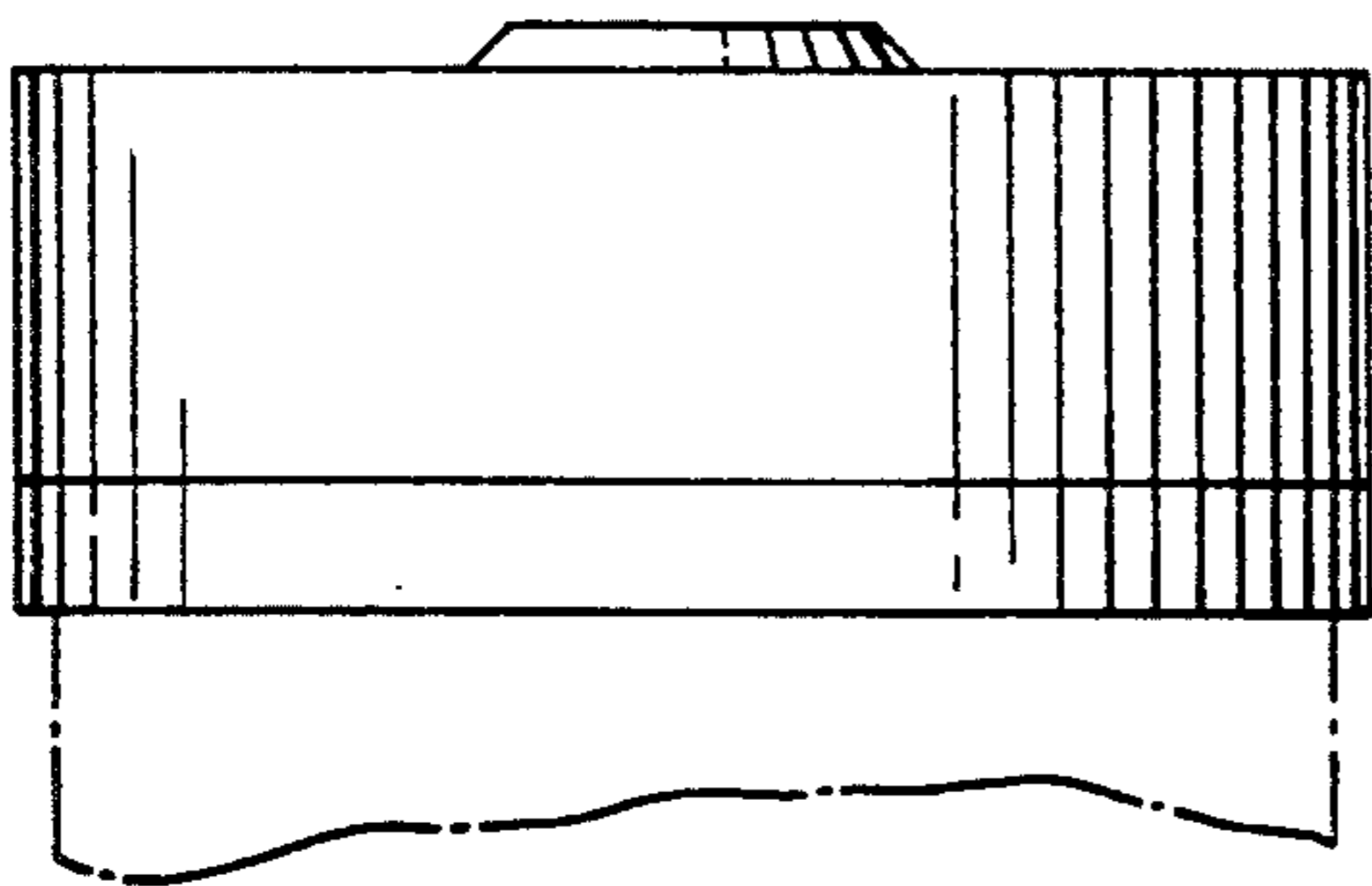


FIG. 6

