



US00D327165S

United States Patent [19] Hatfield

[11] Patent Number: **Des. 327,165**

[45] Date of Patent: **** Jun. 23, 1992**

[54] SHOE OUTSOLE AND MIDSOLE

[75] Inventor: **Tinker L. Hatfield, Portland, Oreg.**

[73] Assignee: **Nike, Inc., Beaverton, Oreg.**

[**] Term: **14 Years**

[21] Appl. No.: **714,740**

[22] Filed: **Jun. 13, 1991**

[52] U.S. Cl. **D2/320**

[58] Field of Search **D2/264, 265, 274, 311, D2/314, 317-321; 36/25 R, 28, 29, 32 R, 59 R, 59 C, 114, 132, 136**

4,559,723 12/1985 Hamy 36/102
4,624,062 11/1986 Autry 36/114
4,785,557 11/1988 Kelley et al. 36/32 R
4,910,887 3/1990 Turner et al. 36/114

OTHER PUBLICATIONS

Pages, 30, 32, 46 and 52 of the 1989 Spring Nike Catalog.

Pages 22, and 30 of the Fall 1990 Catalog.

Pages 32, 40, 42 and 150 of the Fall 1991 Nike Catalog.

Pages 32, 40, 44, 46 and 50 of the Spring 1992 Nike Catalog.

Pages 22 and 24 of the Spring 1990 Catalog.

Primary Examiner—Louis S. Zarfaz

Attorney, Agent, or Firm—Banner, Birch, McKie & Beckett

[56] References Cited

U.S. PATENT DOCUMENTS

D. 251,817	5/1979	Inohara	D2/309
D. 257,075	9/1980	Amicone et al.	D2/320
D. 265,437	7/1982	Vermonet	D2/309
D. 270,870	10/1983	Tilles	D2/309
D. 288,027	2/1987	Tonkel	D2/320
D. 288,028	2/1987	Chassaing	D2/320
D. 293,271	12/1987	Lussier	
D. 294,656	3/1988	Liggett et al.	
D. 295,462	5/1988	Brown et al.	
D. 296,150	6/1988	Diaz	
D. 296,152	6/1988	Selbiger	
D. 297,384	8/1988	Miller	D2/321
D. 297,885	10/1988	Tong	
D. 299,984	2/1989	Liggett	D2/320
D. 304,259	10/1989	Nakano	
D. 304,520	11/1989	Clark	
D. 307,664	5/1990	Kiyosawa	
D. 308,592	6/1990	Kayano	D2/320
D. 311,447	10/1990	Hatfield	D2/320
D. 311,810	11/1990	Hatfield	D2/320
D. 312,920	12/1990	Aveni	D2/320
D. 313,113	12/1990	Aveni	D2/320
D. 315,442	3/1991	Kilgore et al.	D2/320
D. 316,324	4/1991	Rogers	D2/320
D. 316,626	5/1991	Hatfield	D2/320
D. 317,828	7/1991	Rogers	D2/320
D. 319,535	9/1991	Hatfield	D2/320

[57] CLAIM

The ornamental design for a shoe outsole and midsole, as shown and described.

DESCRIPTION

FIG. 1 is a left side elevational view of a shoe outsole and midsole showing my new design;

FIG. 2 is a right side elevational view thereof;

FIG. 3 is a cross sectional view taken through line 3—3 of FIG. 2;

FIG. 4 is a cross sectional view taken through line 4—4 of FIG. 2;

FIG. 5 is a bottom plan view thereof;

FIG. 6 is a cross sectional view taken through line 6—6 of FIG. 5;

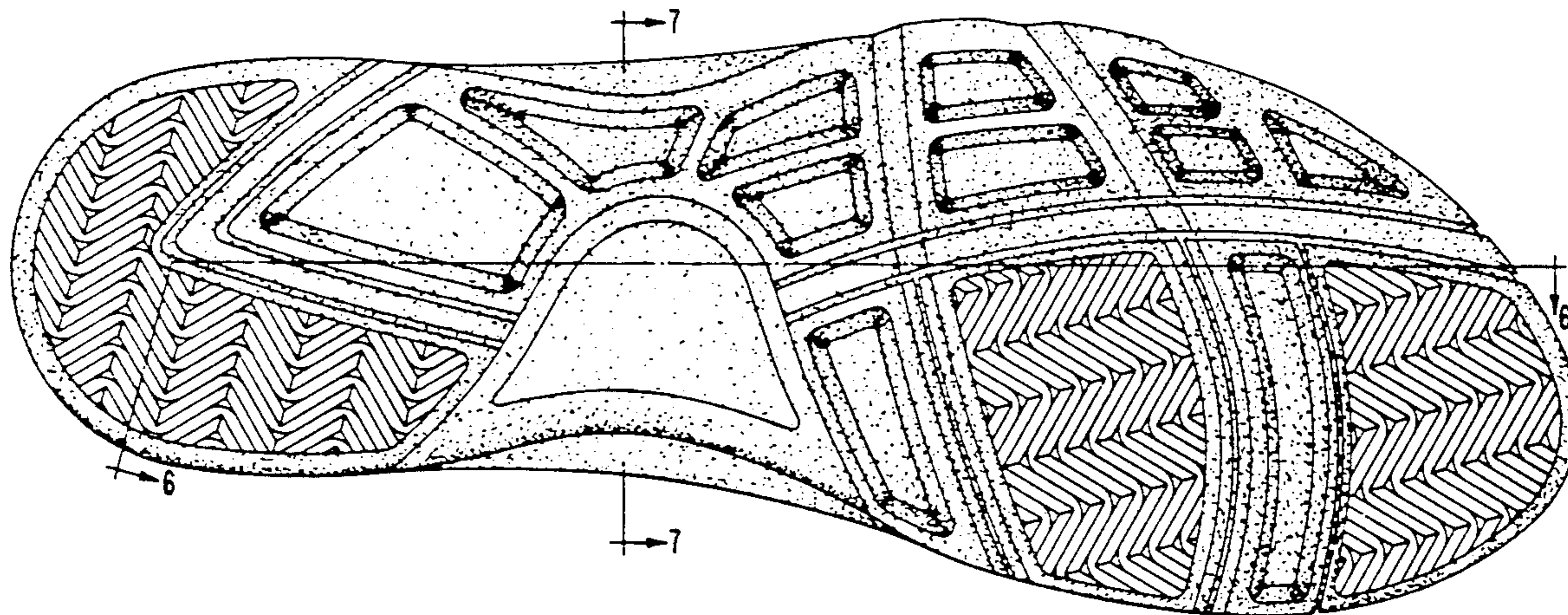
FIG. 7 is a cross sectional view taken through line 7—7 of FIG. 5;

FIG. 8 is a front elevational view thereof;

FIG. 9 is a rear elevational view thereof; and,

FIG. 10 is a cross sectional view taken through line 10—10 of FIG. 2.

The broken line showing of a shoe upper in FIGS. 1, 2, 8 and 9 is for illustrative purposes only and forms no part of the claimed design.



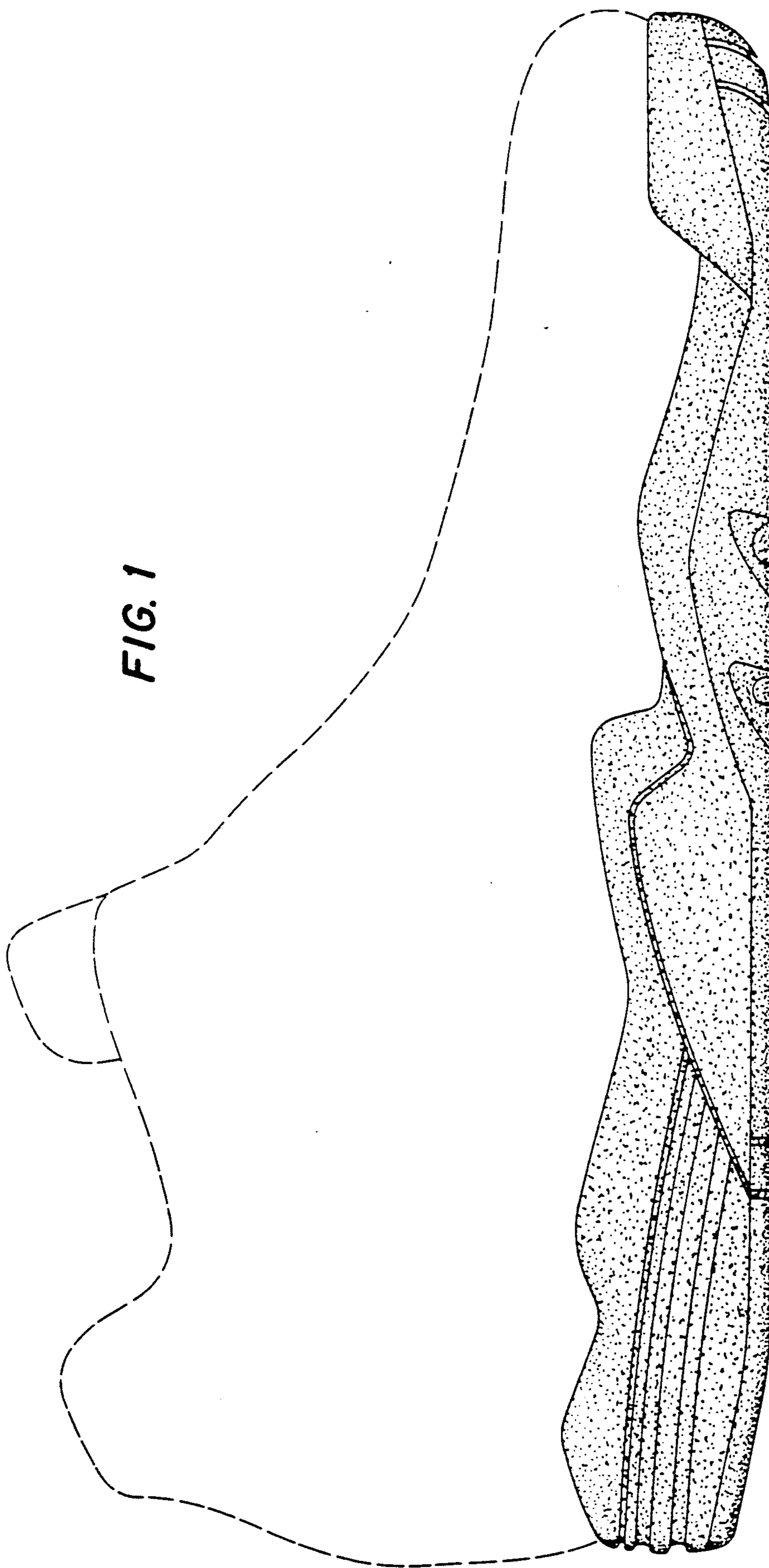


FIG. 1

FIG. 2

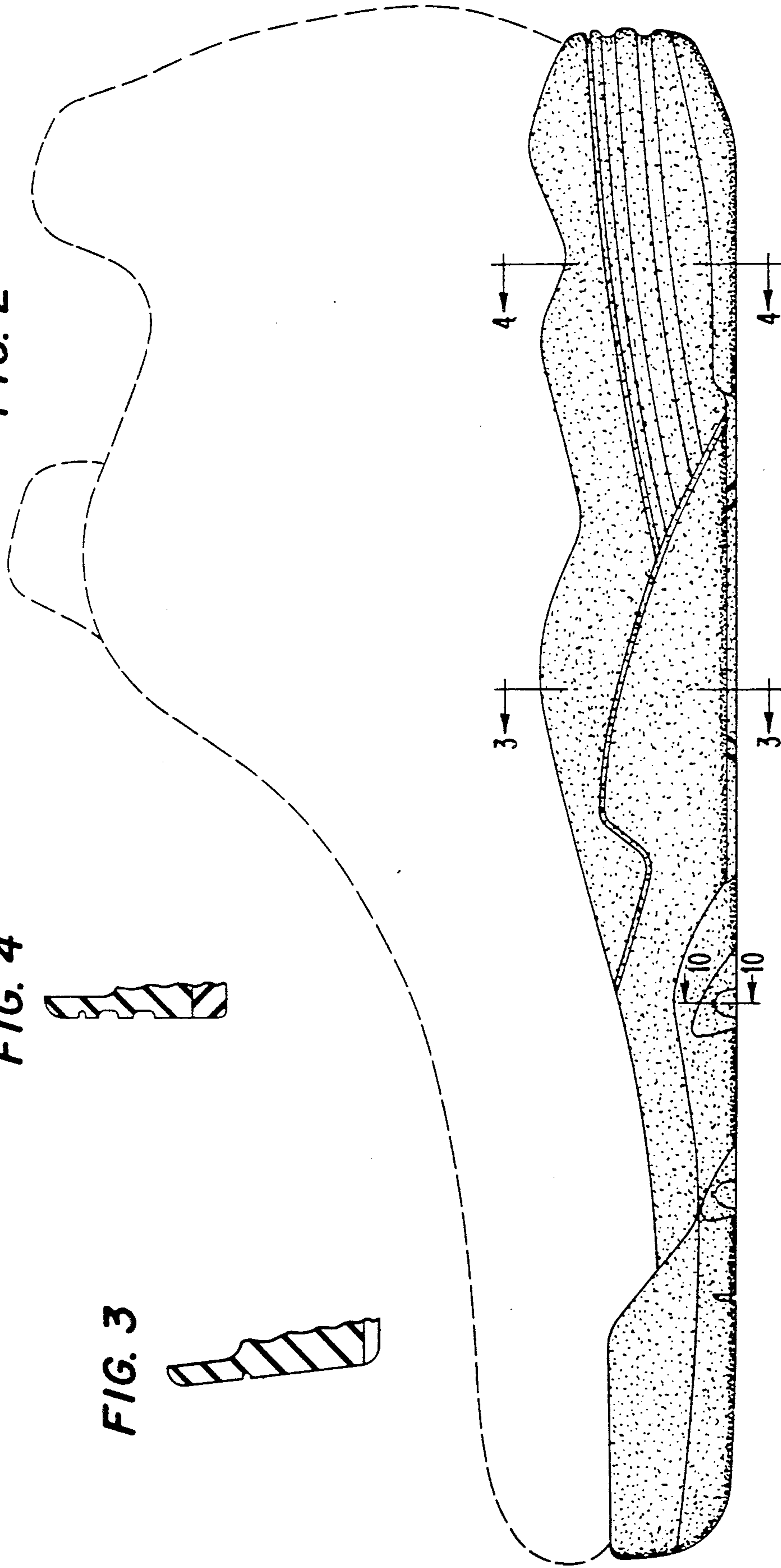


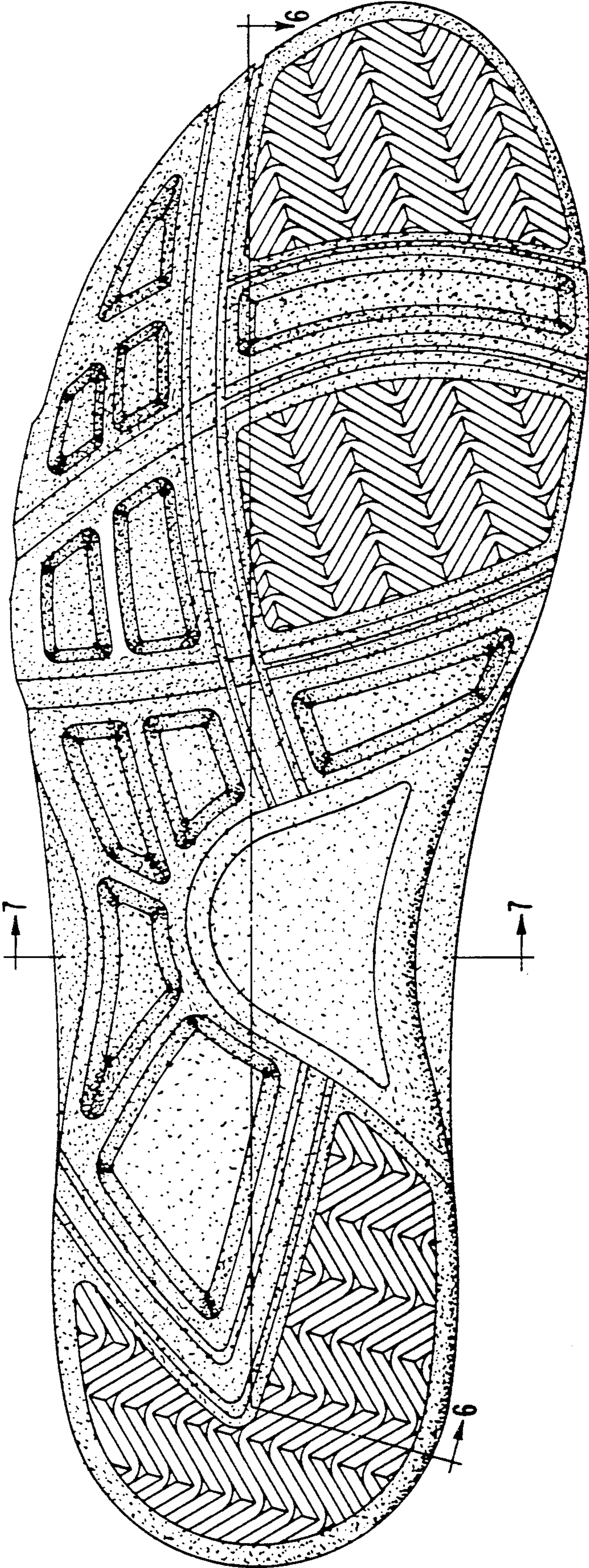
FIG. 4



FIG. 3



FIG. 5



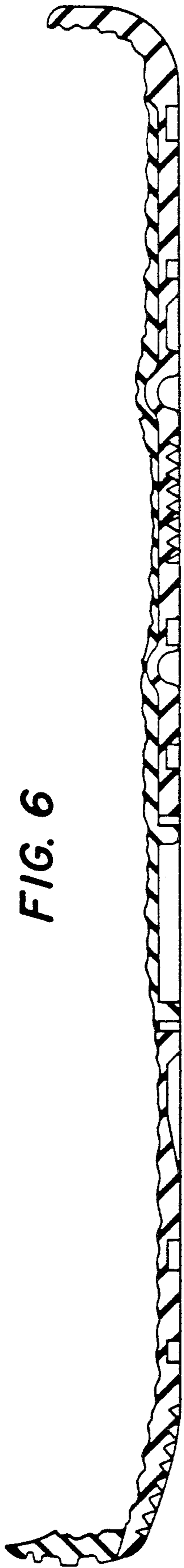


FIG. 6

FIG. 10

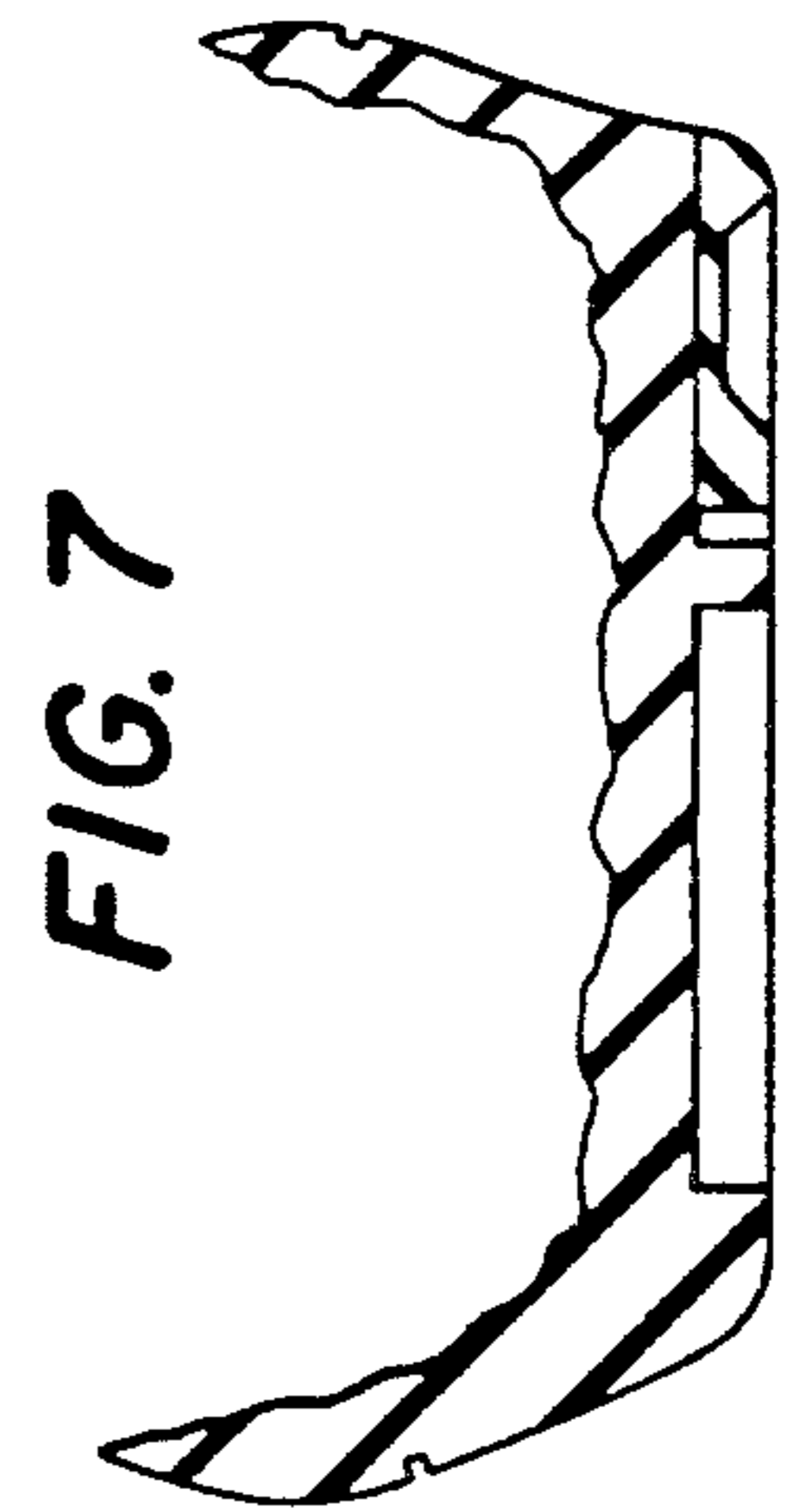


FIG. 7

FIG. 9

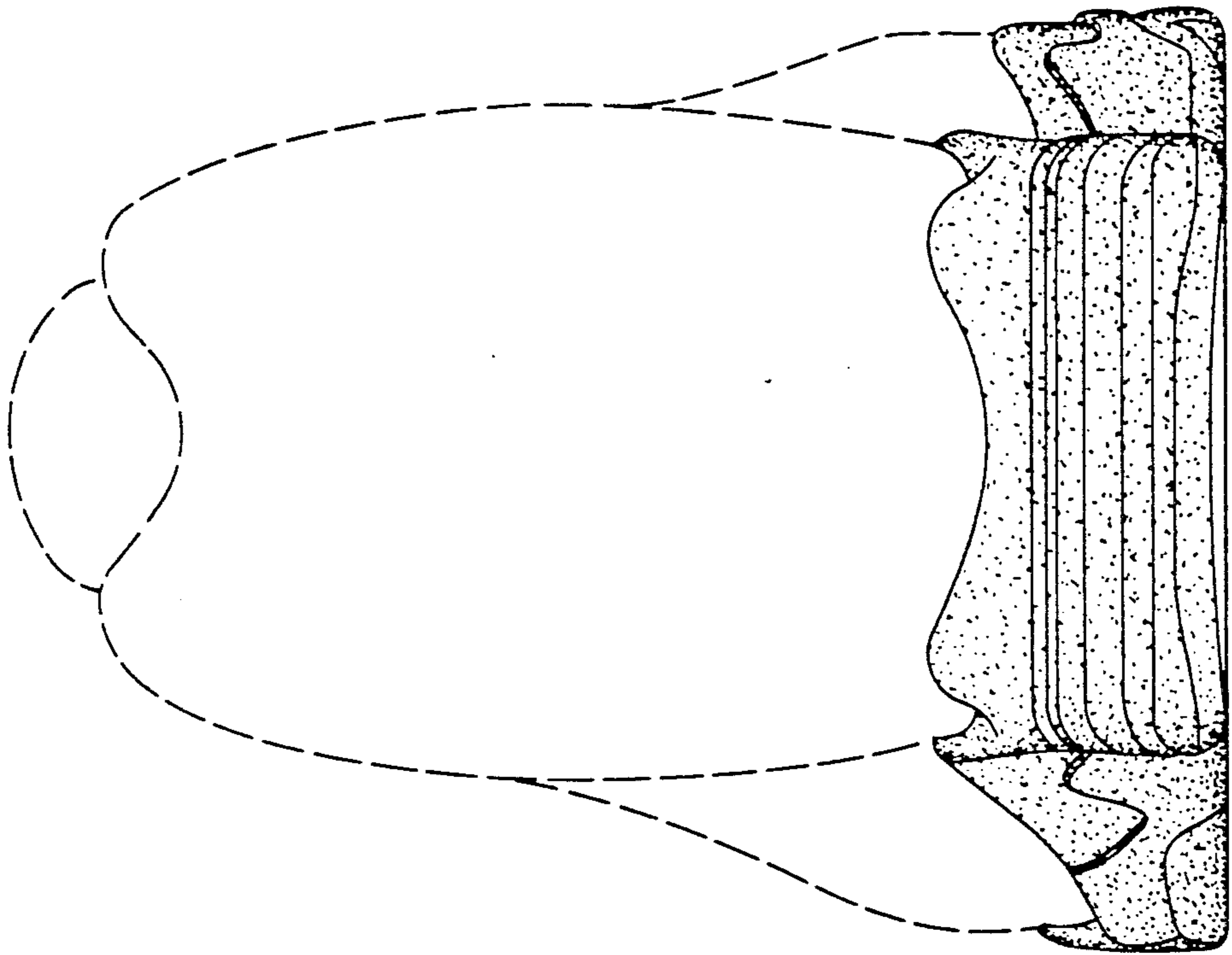


FIG. 8

