



US00D327150S

United States Patent [19]

[11] Patent Number: **Des. 327,150**

Gudefin et al.

[45] Date of Patent: **** Jun. 16, 1992**

[54] **FLAT IRON**

D. 315,238	3/1991	Chen	D32/70
D. 315,433	3/1991	Chen	D32/68
D. 315,434	3/1991	Paulin	D32/68

[75] Inventors: **Jacques Gudefin, St-Priest; Daniel Valente, Vienne, both of France**

FOREIGN PATENT DOCUMENTS

[73] Assignee: **Calor S.A., Lyons, France**

3286195 11/1988 Japan 38/77.9

[**] Term: **14 Years**

Primary Examiner—Wallace R. Burke
Assistant Examiner—Lavone D. Tabor
Attorney, Agent, or Firm—Young & Thompson

[21] Appl. No.: **475,251**

[22] Filed: **Feb. 5, 1990**

[57] CLAIM

[30] Foreign Application Priority Data

The ornamental design for a flat iron, as shown and described.

Aug. 17, 1989 [FR] France 89 5279

[52] U.S. Cl. **D32/70**

DESCRIPTION

[58] Field of Search **D32/68-72;**
38/69, 74-75, 77.1-77.8, 77.81-77.83, 77.9,
79-82, 85, 88, 90, 93-94, 97; 219/245-259

FIG. 1 is a front elevational view of a flat iron, showing our new design;

FIG. 2 is a rear elevational view thereof;

FIG. 3 is a top plan view thereof;

FIG. 4 is a bottom plan view thereof;

FIG. 5 is a side elevational view thereof;

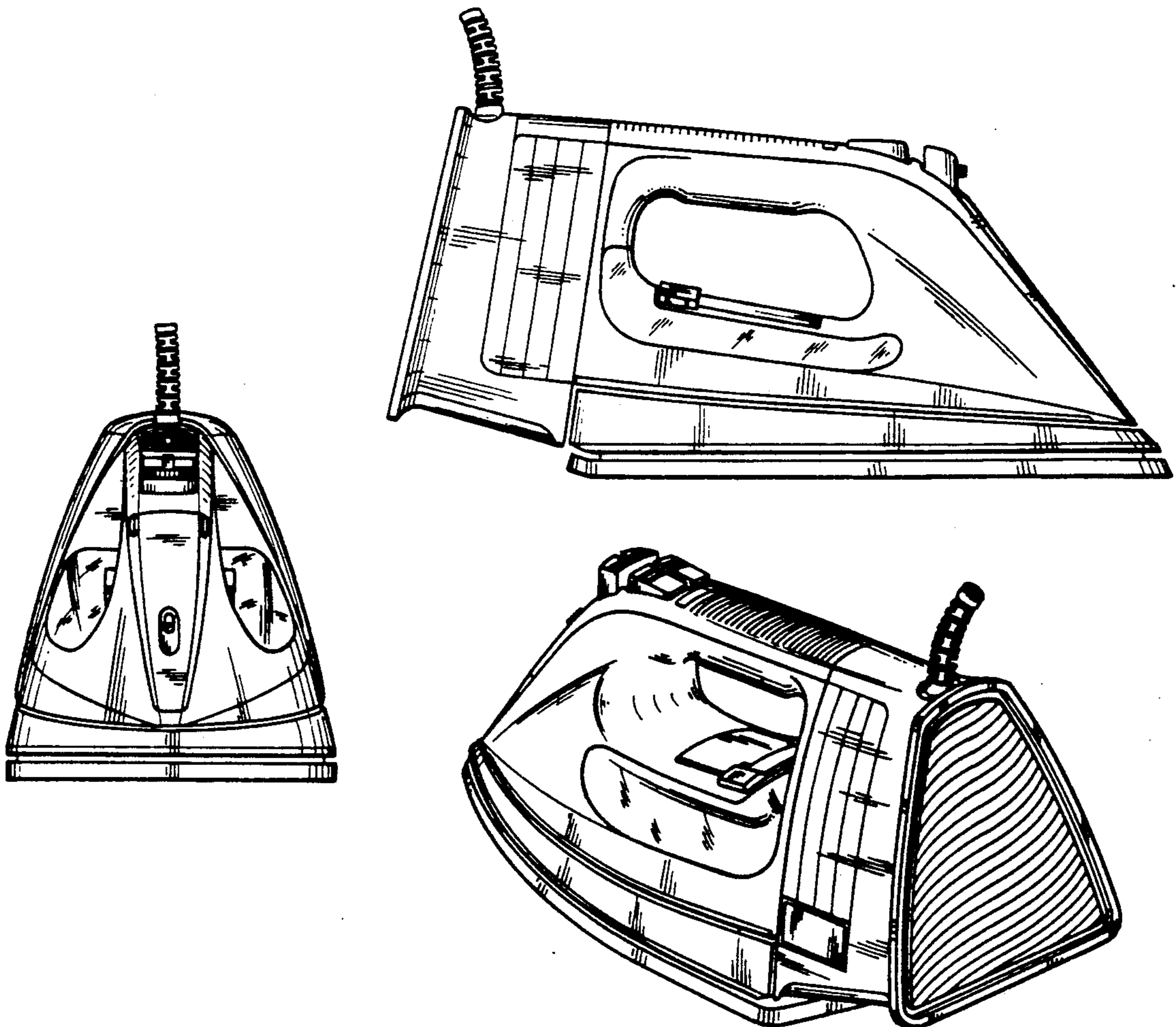
FIG. 6 is an elevational view of the opposite side thereof; and,

FIG. 7 is a rear perspective view thereof.

[56] References Cited

U.S. PATENT DOCUMENTS

D. 290,889	7/1987	Steinkamp	D32/70
D. 291,616	8/1987	Hennuy	D32/70
D. 299,573	1/1989	Gudefin	D32/70



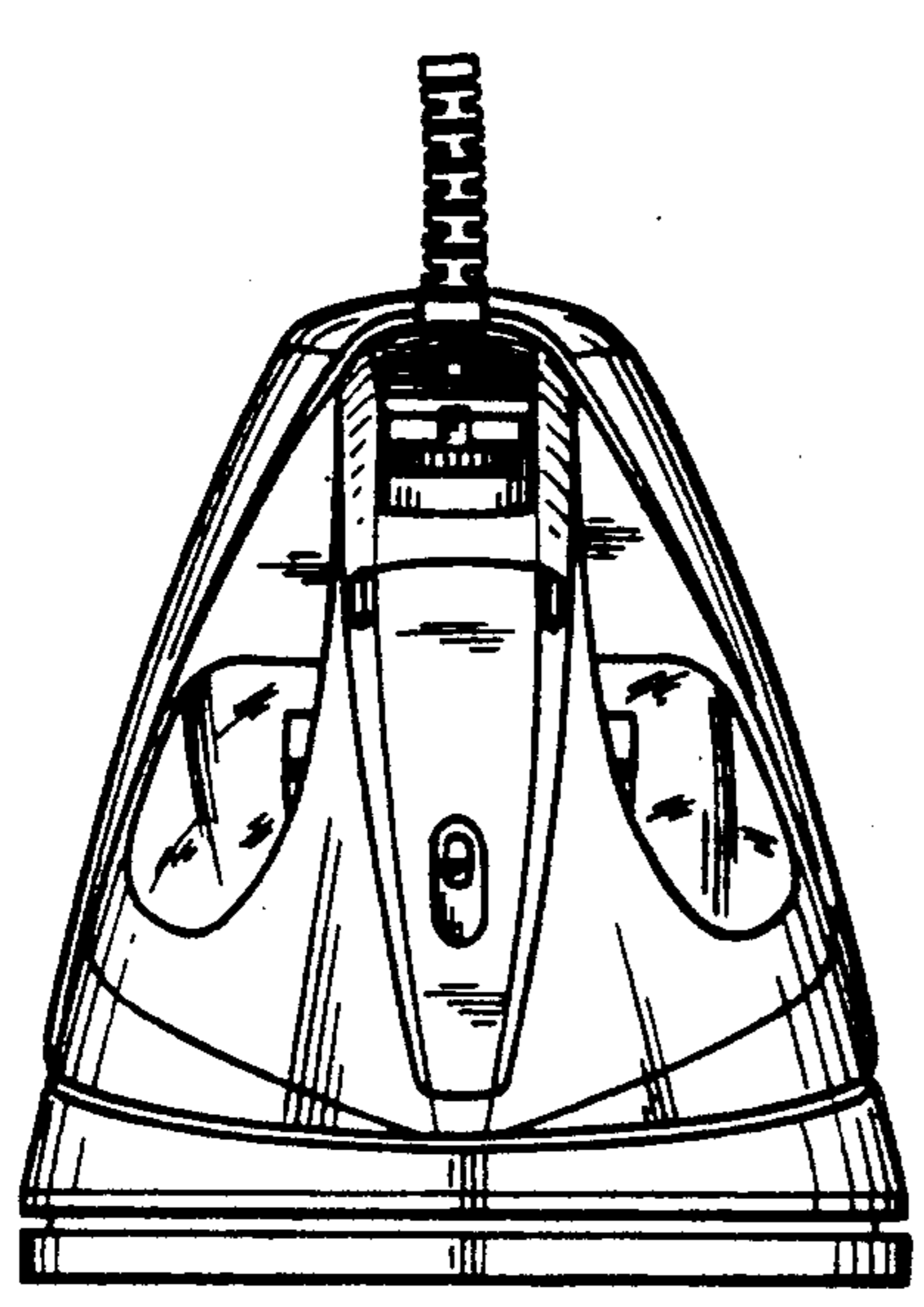


FIG. 1

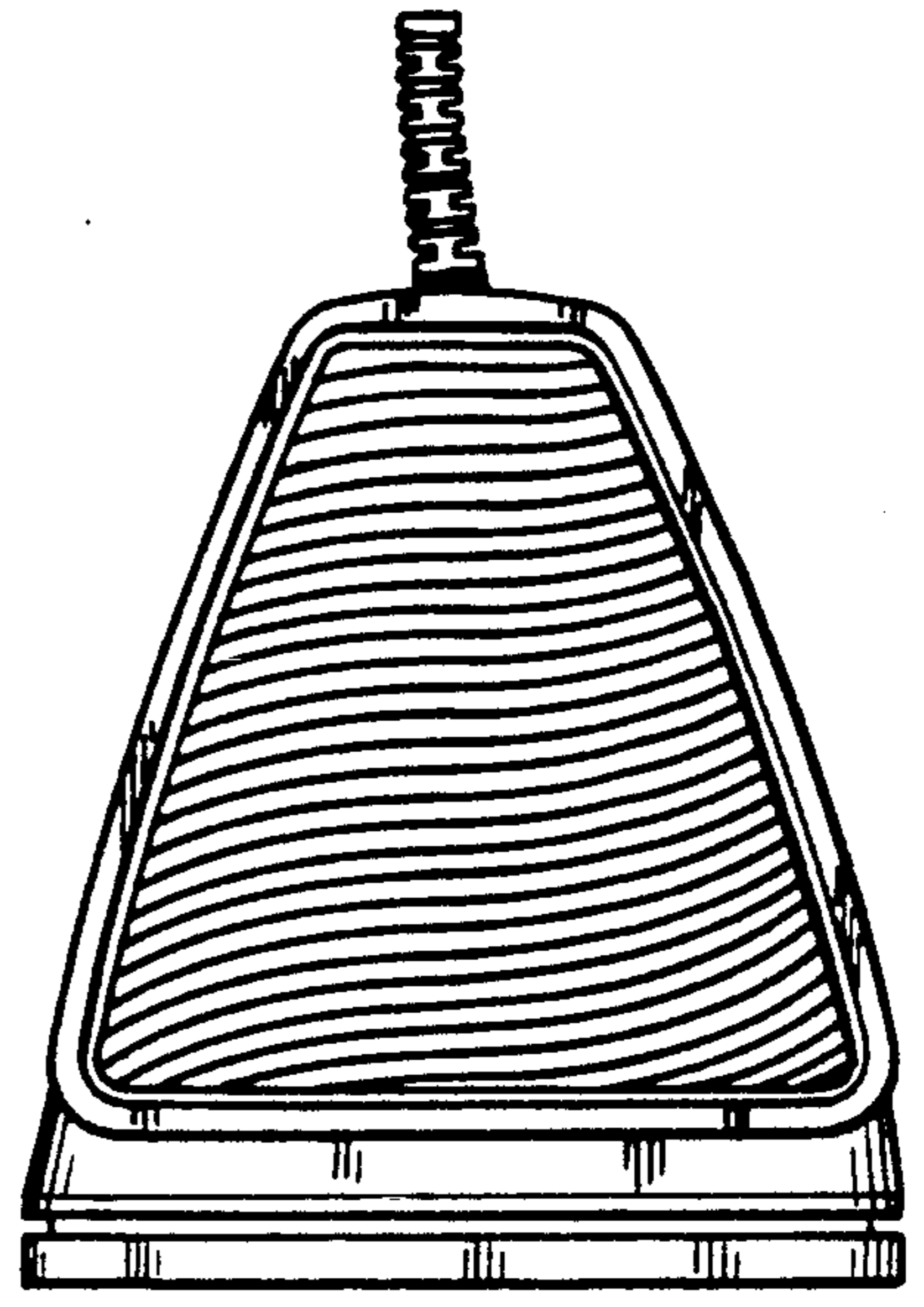


FIG. 2

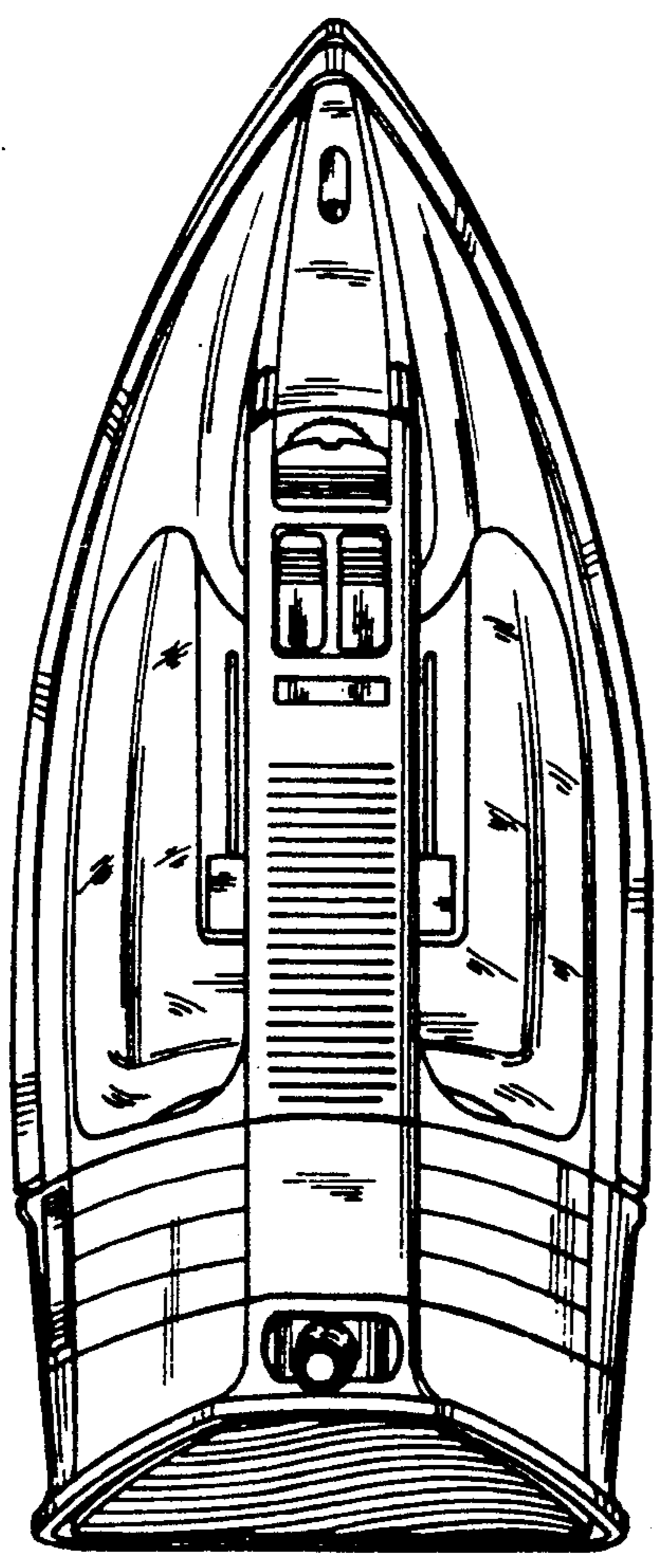


FIG. 3

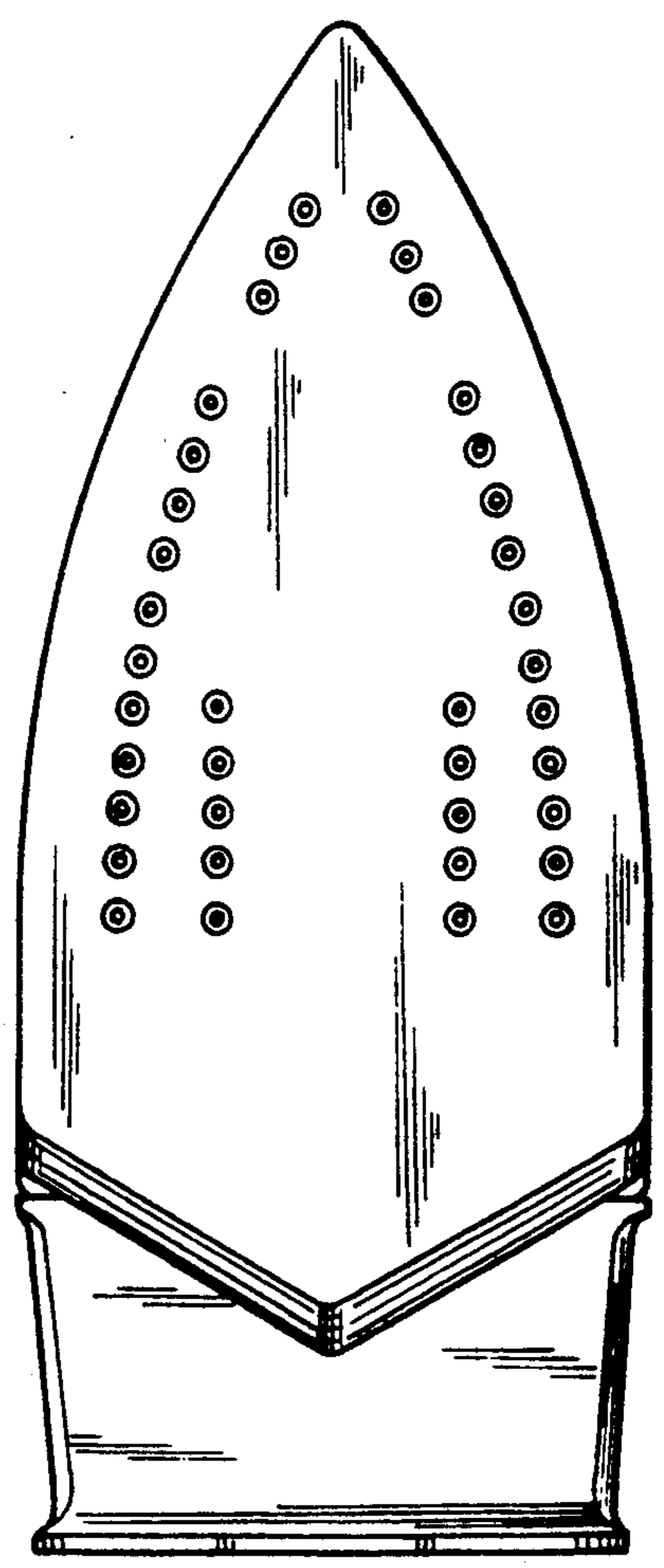


FIG. 4

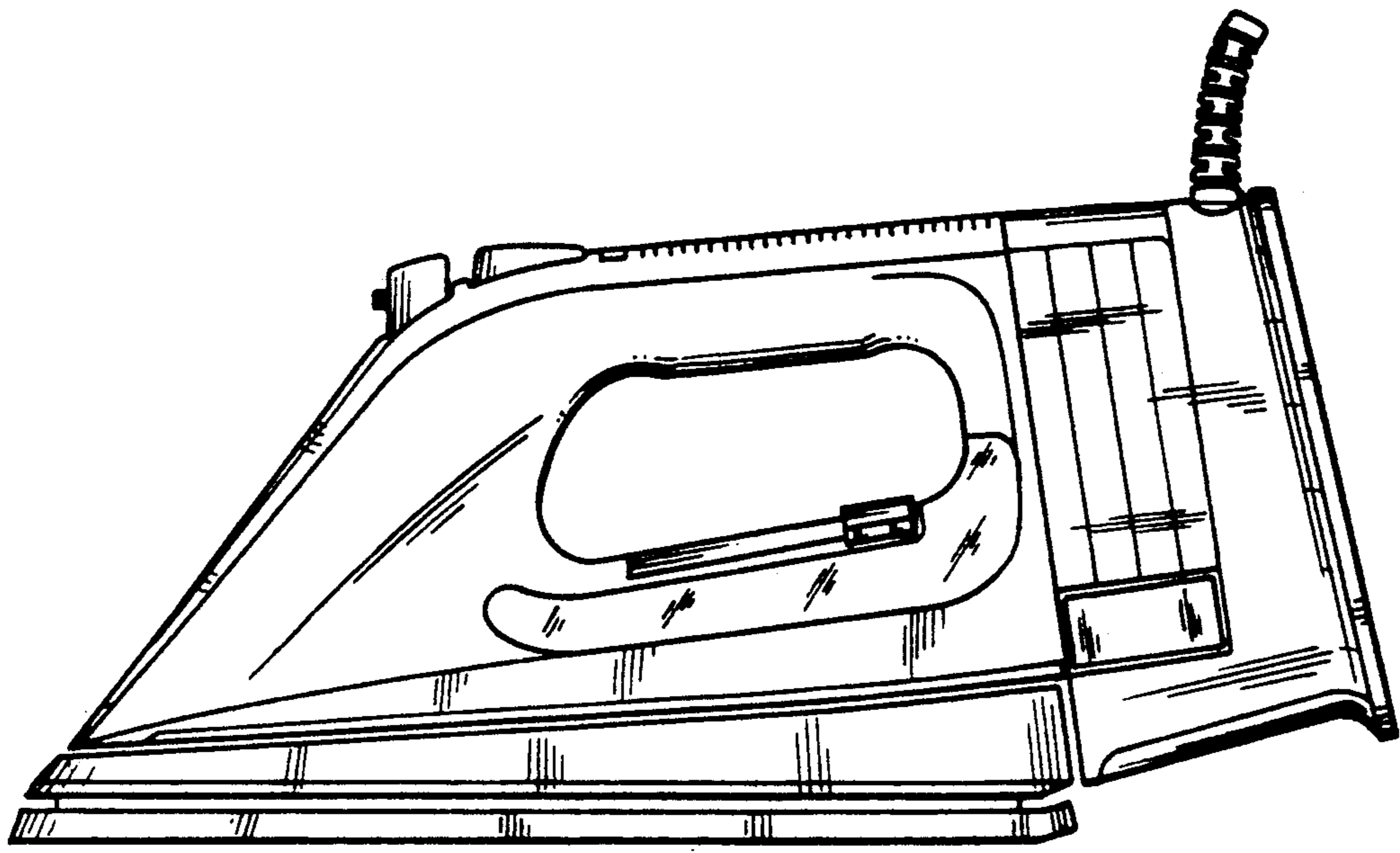


FIG. 5

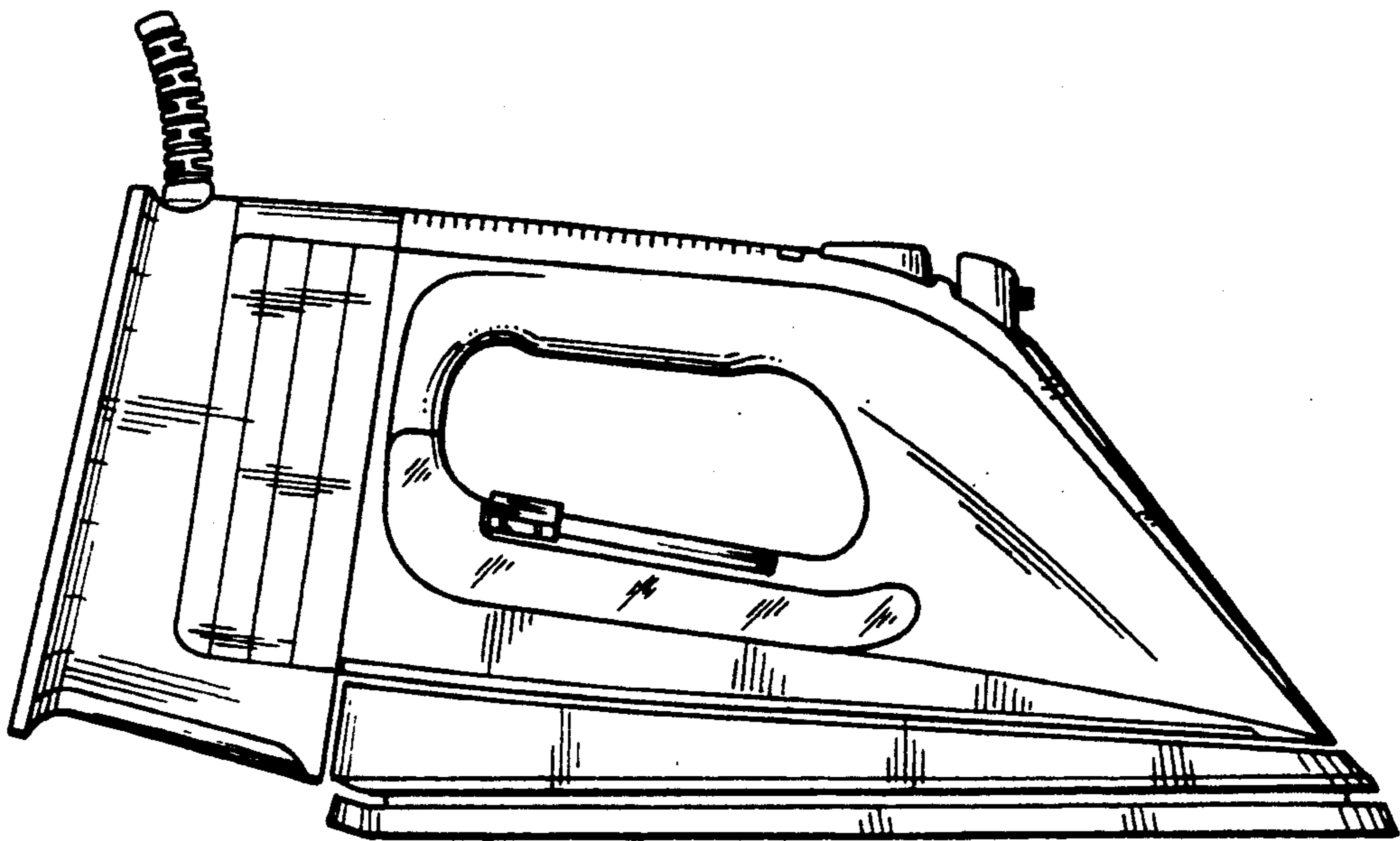


FIG. 6

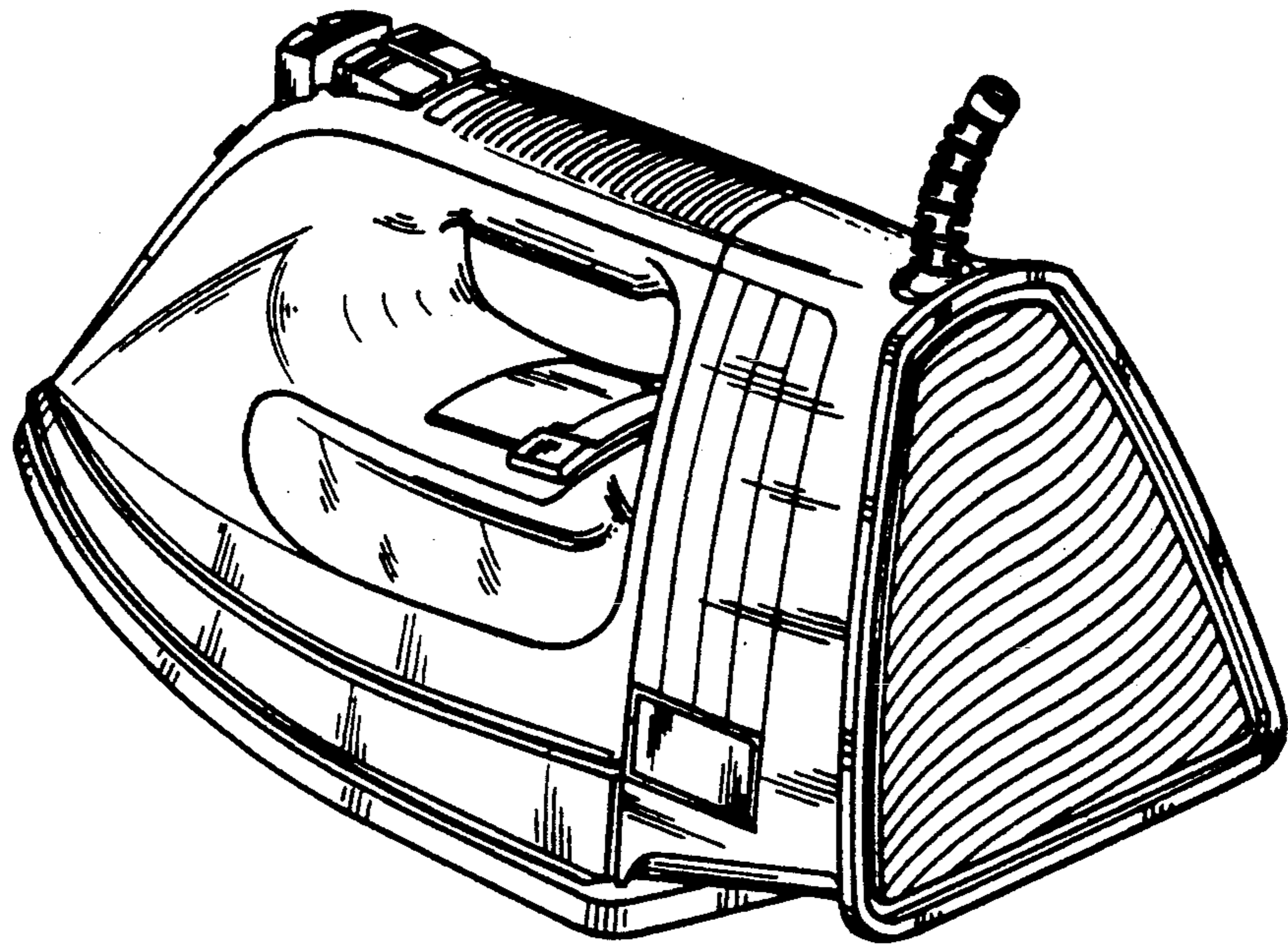


FIG. 7