



US00D327149S

United States Patent [19]

[11] Patent Number: **Des. 327,149**

Harper, IV

[45] Date of Patent: **** Jun. 16, 1992**

[54] **CLIP FOR KEEPING SOCKS IN PAIRS**

3,900,181 8/1975 Pitanis .

[76] Inventor: **William M. Harper, IV**, 1618 Elmwood Dr., Columbus, Ga. 31906

3,972,094 8/1976 Fuller 24/DIG. 29 X

4,045,844 9/1977 Murray .

[**] Term: **14 Years**

Primary Examiner—Wallace R. Burke
Assistant Examiner—Lavone D. Tabor
Attorney, Agent, or Firm—Terry M. Gernstein

[21] Appl. No.: **412,400**

[57] **CLAIM**

[22] Filed: **Sep. 26, 1989**

The ornamental design for a clip for keeping socks in pairs, as shown and described.

[52] U.S. Cl. **D32/61; D8/349; D8/395**

[58] Field of Search **D8/349, 383, 388, 394-395; D32/60-62; 24/3 R, 3 L, 3 M, 16 R, 16 PB, 455**

DESCRIPTION

[56] **References Cited**

U.S. PATENT DOCUMENTS

D. 92,879	7/1934	Canter	D8/388
D. 165,679	1/1952	Clark	D32/61
2,474,753	6/1949	Morton	.	
3,346,927	10/1967	Tompkins	24/DIG. 29 X
3,348,275	10/1967	Lawrence	24/DIG. 29

FIG. 1 is a perspective view as seen from the top and front end of a clip for keeping socks in pairs showing my new design;
FIG. 2 is a side elevational view thereof, the opposite side being a mirror image;
FIG. 3 is a top plan view thereof, it being noted that the bottom plan is adorned with the same surface ornamentation; and,
FIG. 4 is a rear elevational view thereof.

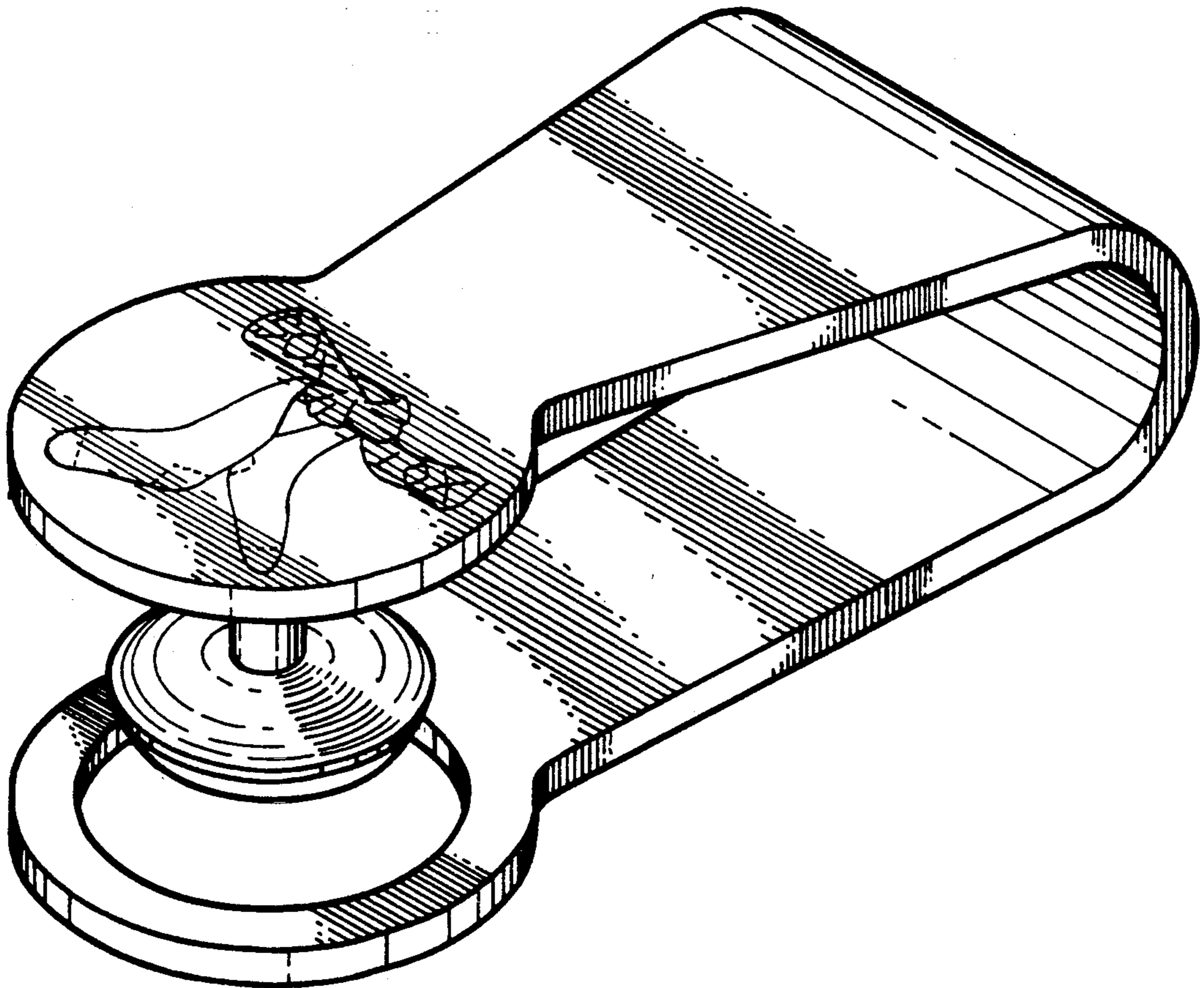


FIG. 1

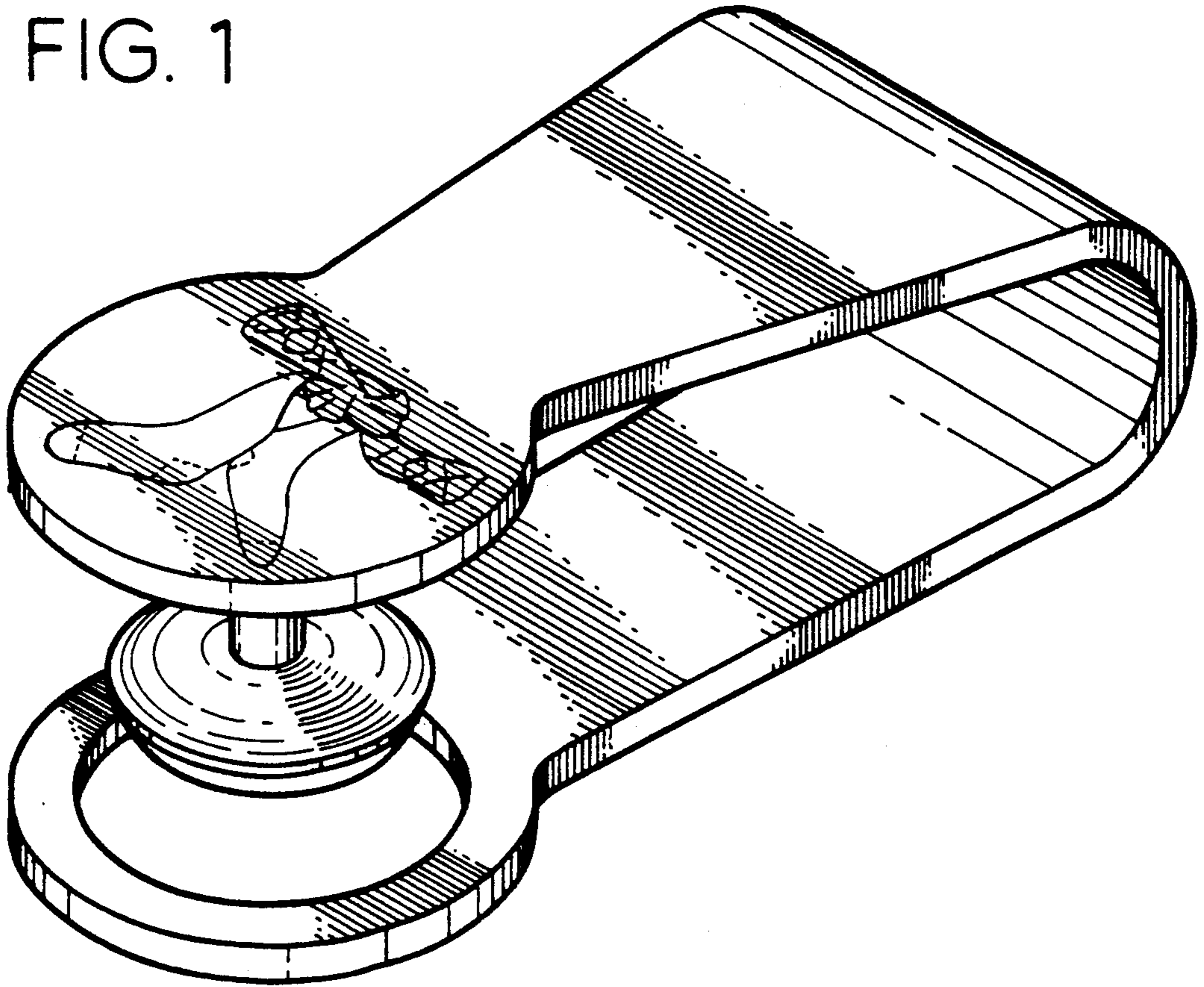
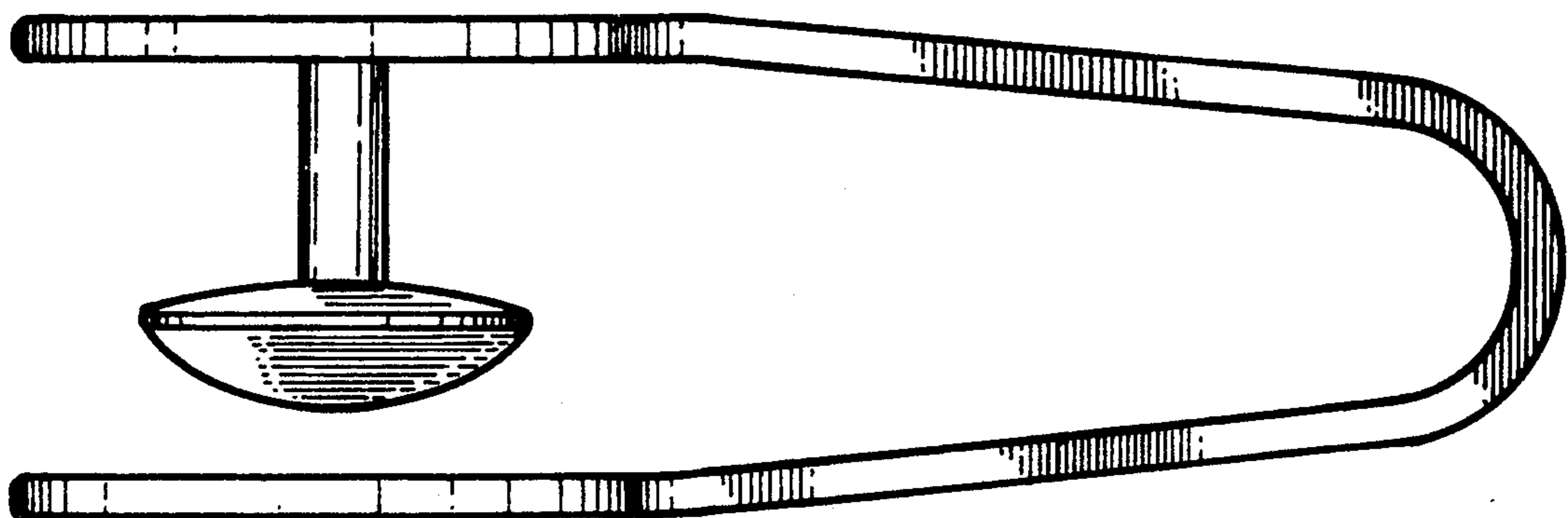


FIG. 2



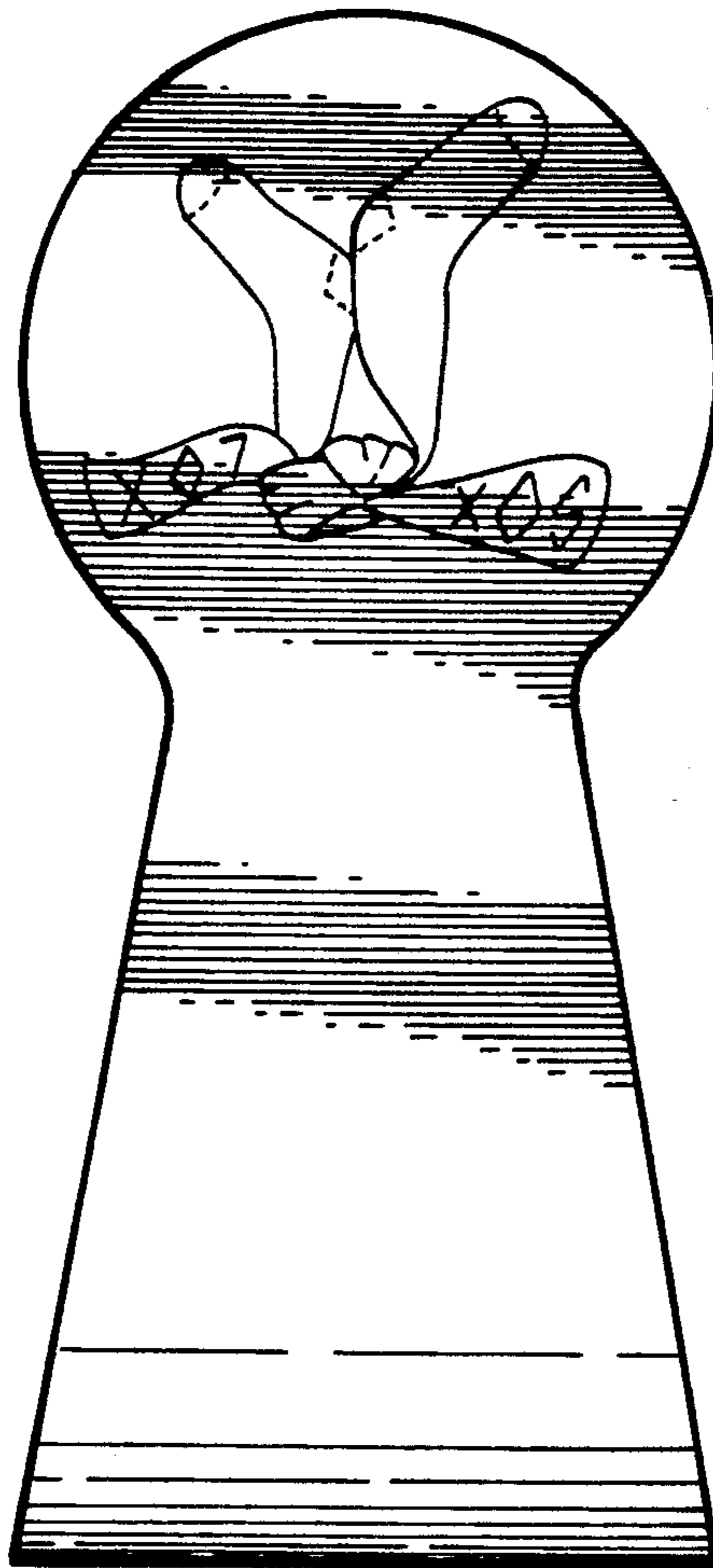


FIG. 3

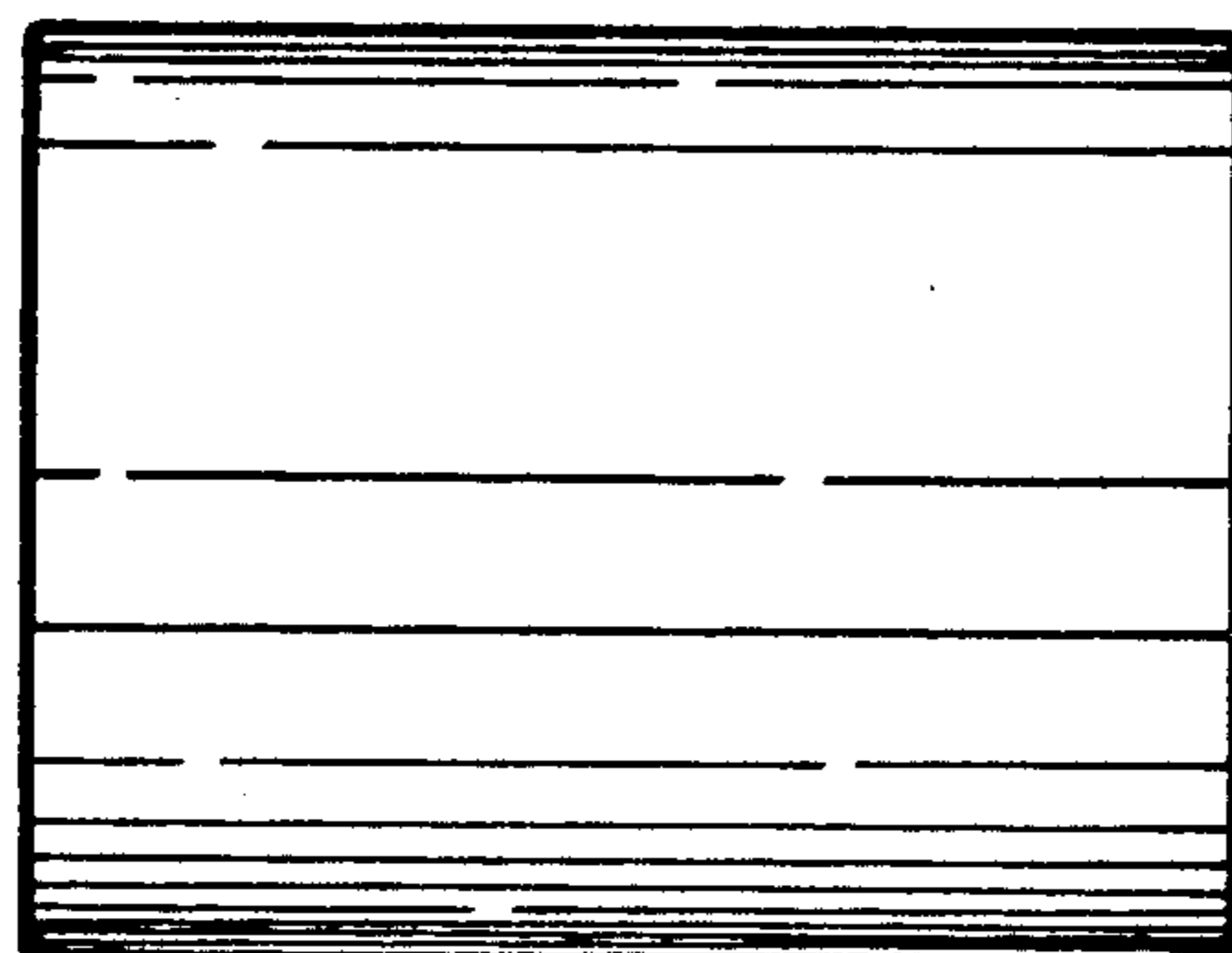


FIG. 4