



US00D327148S

# United States Patent [19]

[11] Patent Number: **Des. 327,148**

Alessi

[45] Date of Patent: **\*\* Jun. 16, 1992**

[54] **COMBINED PAINTBRUSH HOLDER AND DRAINER FOR USE ON THE INTERIOR RIM OF A PAINT BUCKET**

4,436,217	3/1984	Ritter	.....	206/361 X
4,491,234	1/1985	Wilcock	.....	220/697
4,583,666	4/1986	Buck	.....	222/109

[76] Inventor: **Robert Alessi, 1344 Stratford, Brea, Calif. 92621**

*Primary Examiner*—Wallace R. Burke  
*Assistant Examiner*—Lavone D. Tabor  
*Attorney, Agent, or Firm*—Edgar W. Averill, Jr.

[\*\*] Term: **14 Years**

[57] **CLAIM**

[21] Appl. No.: **692,512**

The ornamental design for a combined paintbrush holder and drainer for use on the interior rim of a paint bucket, as shown.

[22] Filed: **Apr. 29, 1991**

[52] U.S. Cl. .... **D32/54**

[58] Field of Search ..... **D32/53, 53.1, 54; D7/400; 206/15.2, 15.3, 361, 362.1-362.4; 220/694, 702, 736; 222/109**

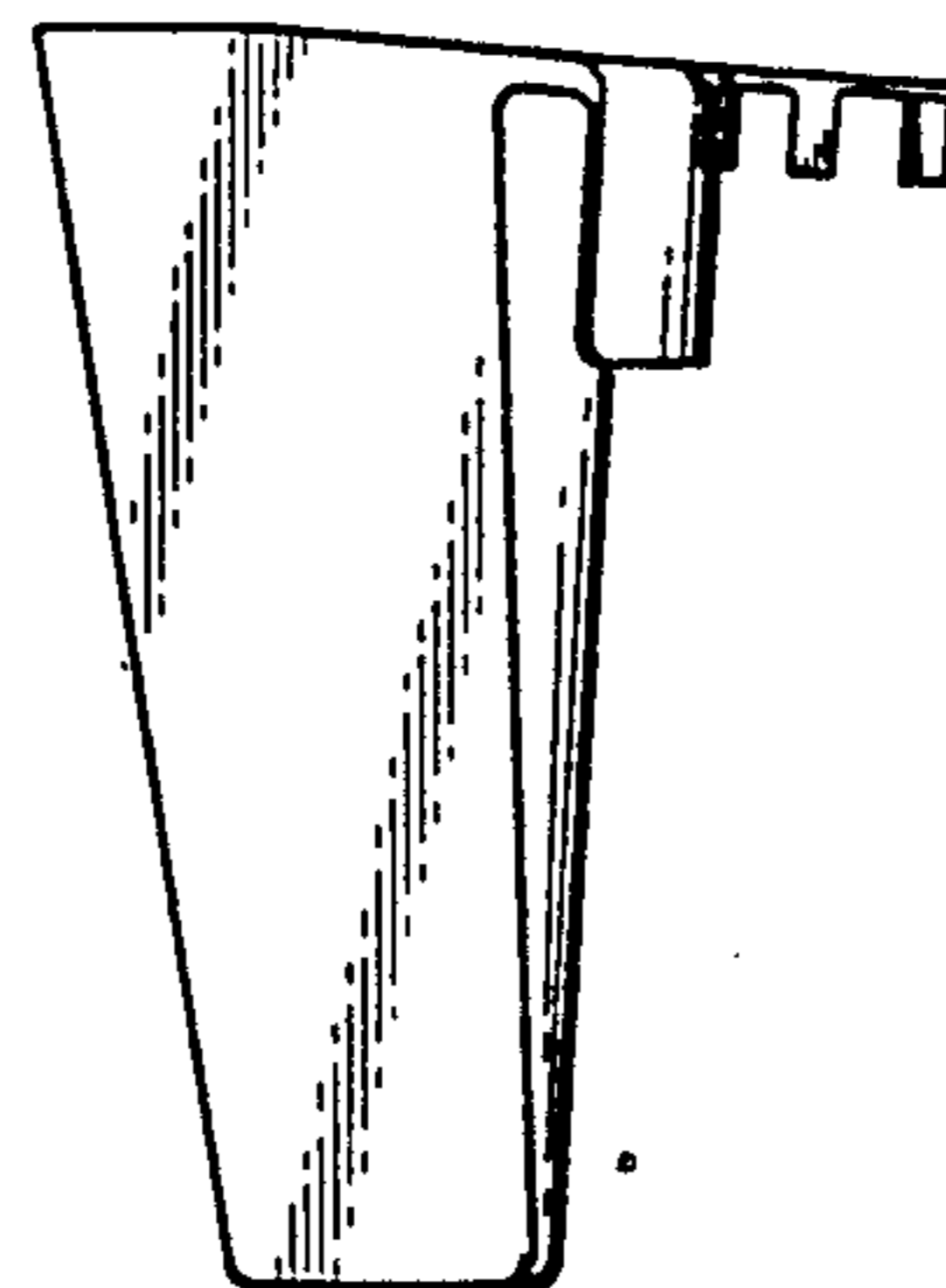
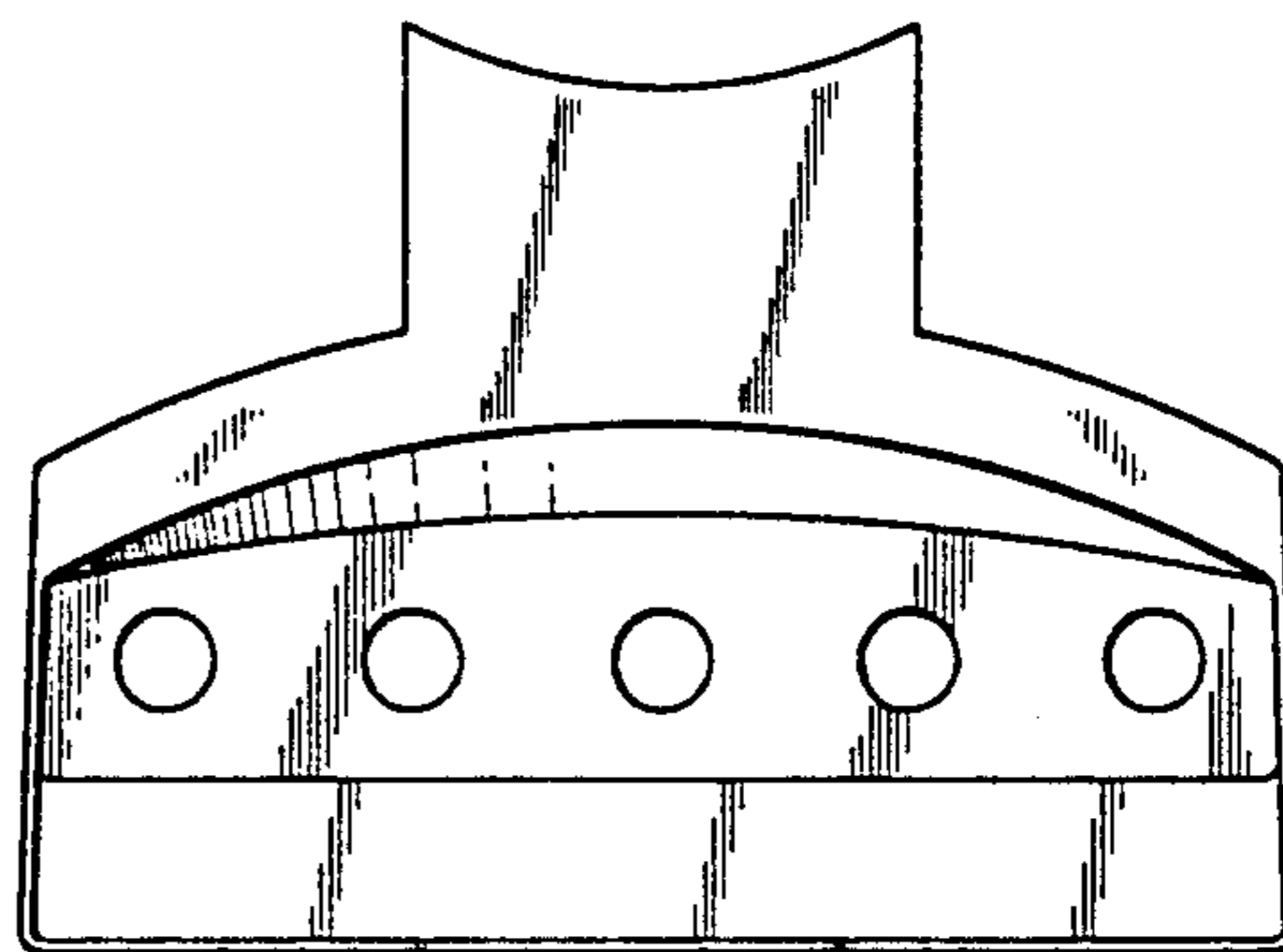
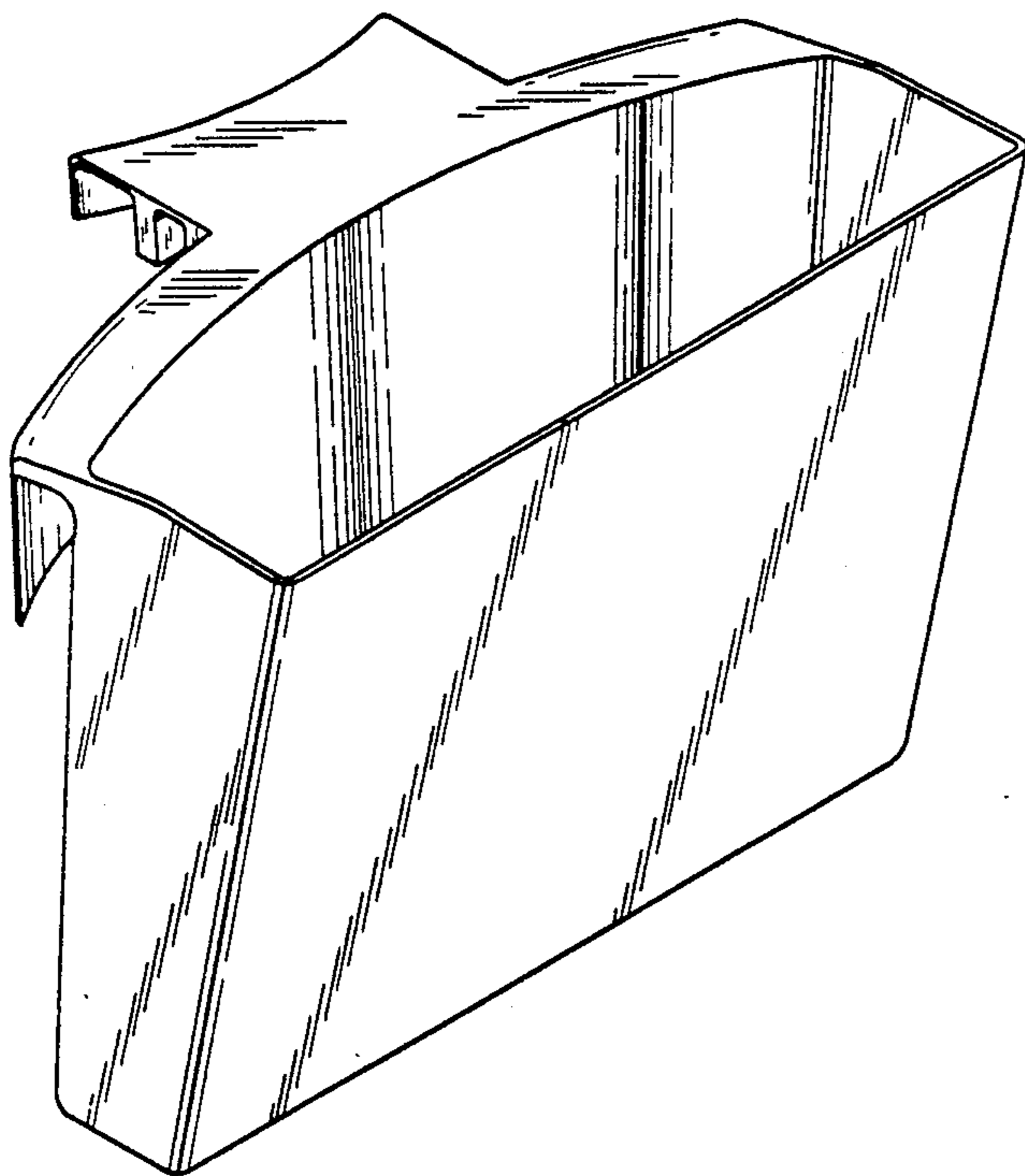
**DESCRIPTION**

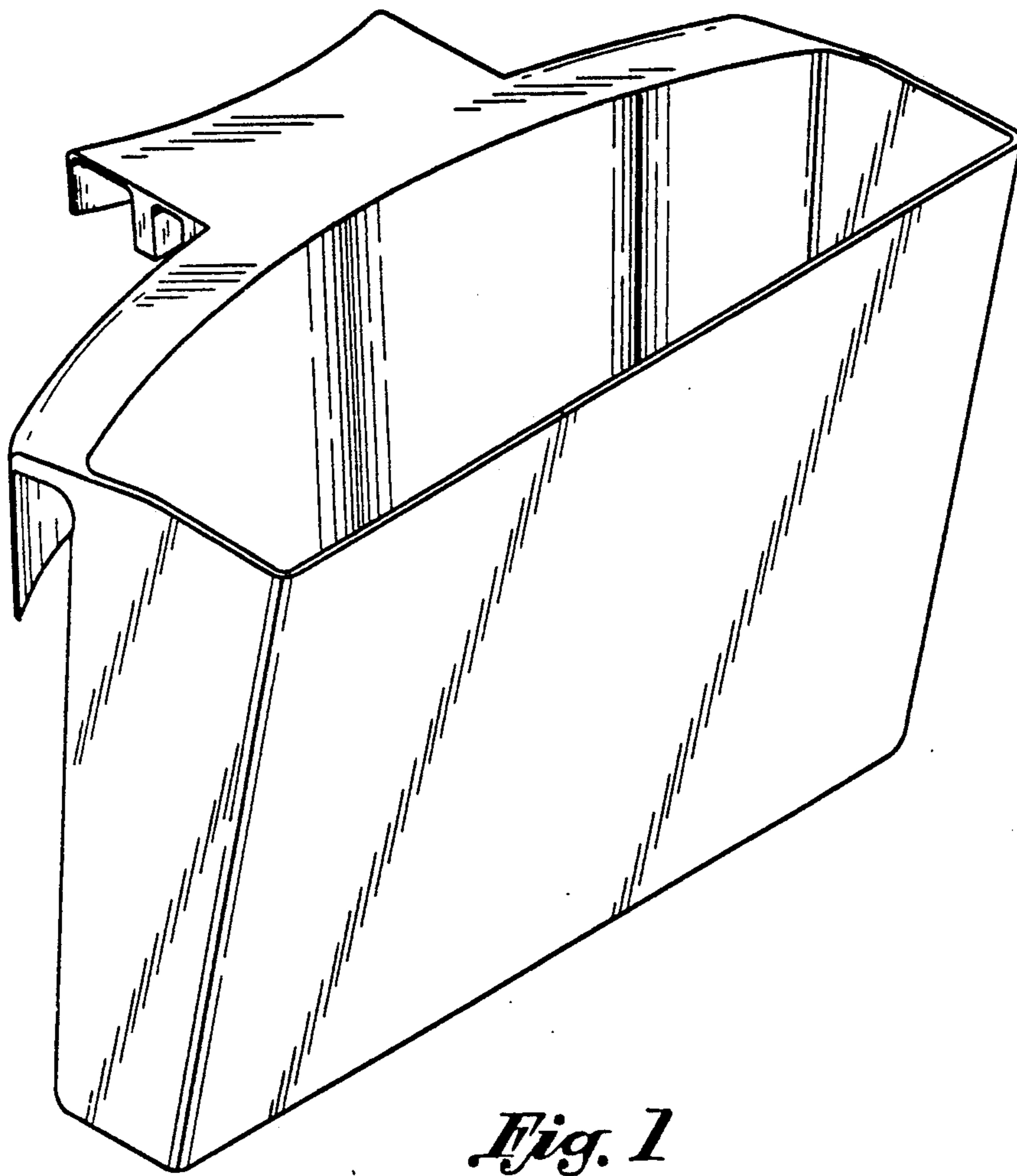
[56] **References Cited**

**U.S. PATENT DOCUMENTS**

D. 300,970	5/1989	Walker	.....	D32/54
2,259,927	10/1941	Dunton	.....	220/736
3,407,429	10/1968	DiNardo	.....	206/361 X

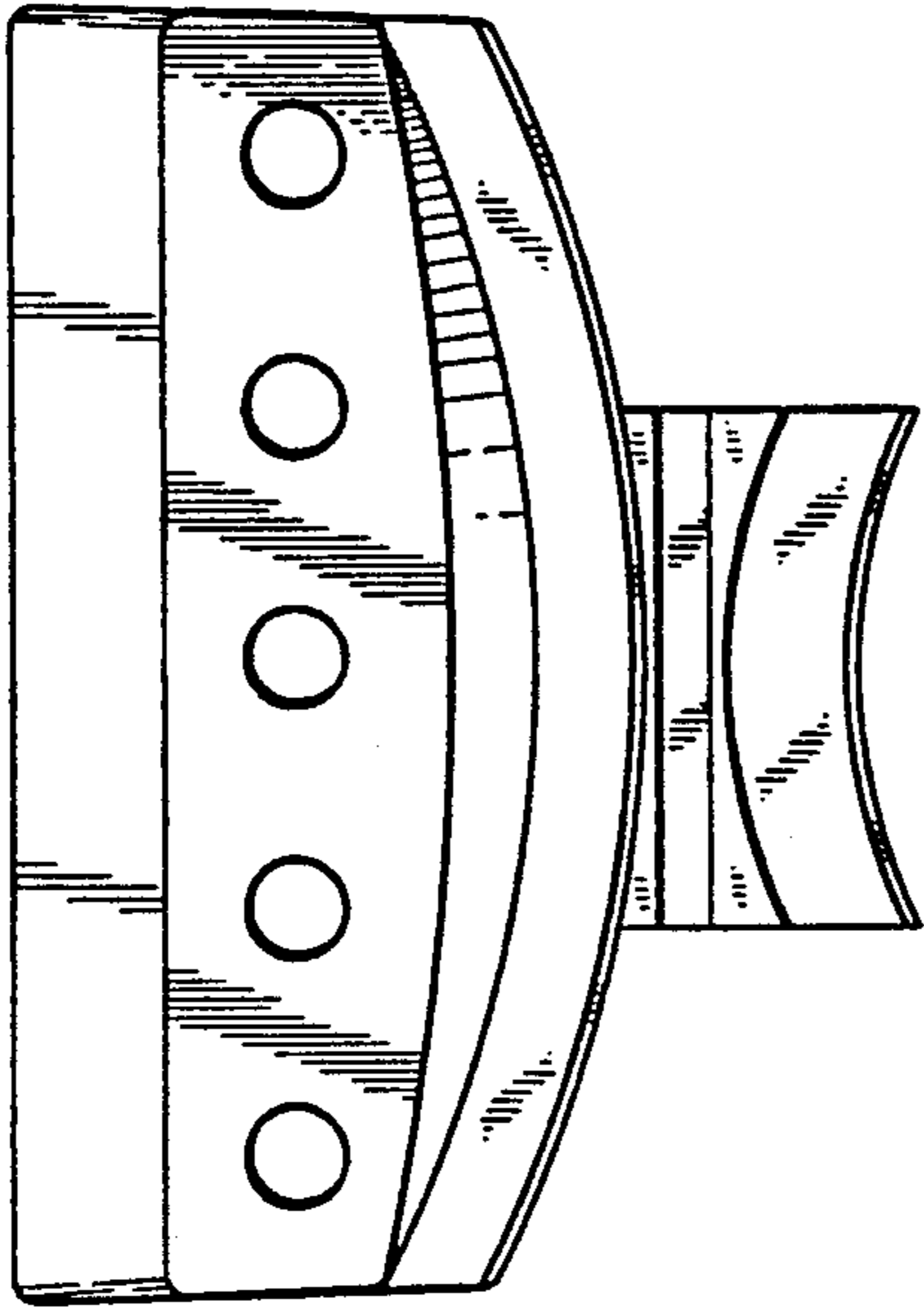
FIG. 1 is a top, front and left side perspective view of a combined paintbrush holder and drainer for use on the interior rim of a paint bucket showing my new design; FIG. 2 is a top plan view thereof; FIG. 3 is a front elevational view thereof; FIG. 4 is a right side elevational view thereof; FIG. 5 is a rear elevational view thereof; and, FIG. 6 is a bottom plan view thereof.



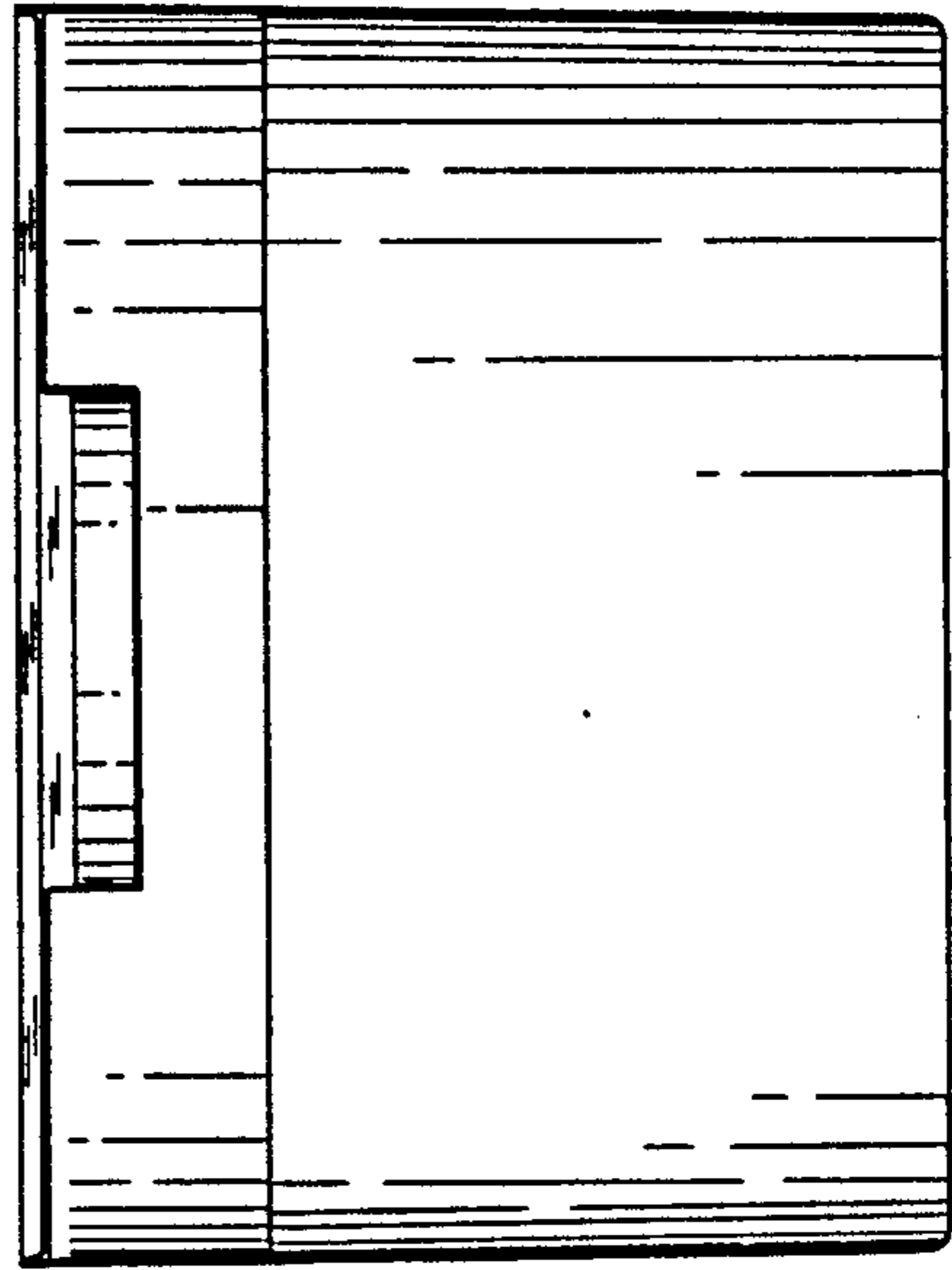
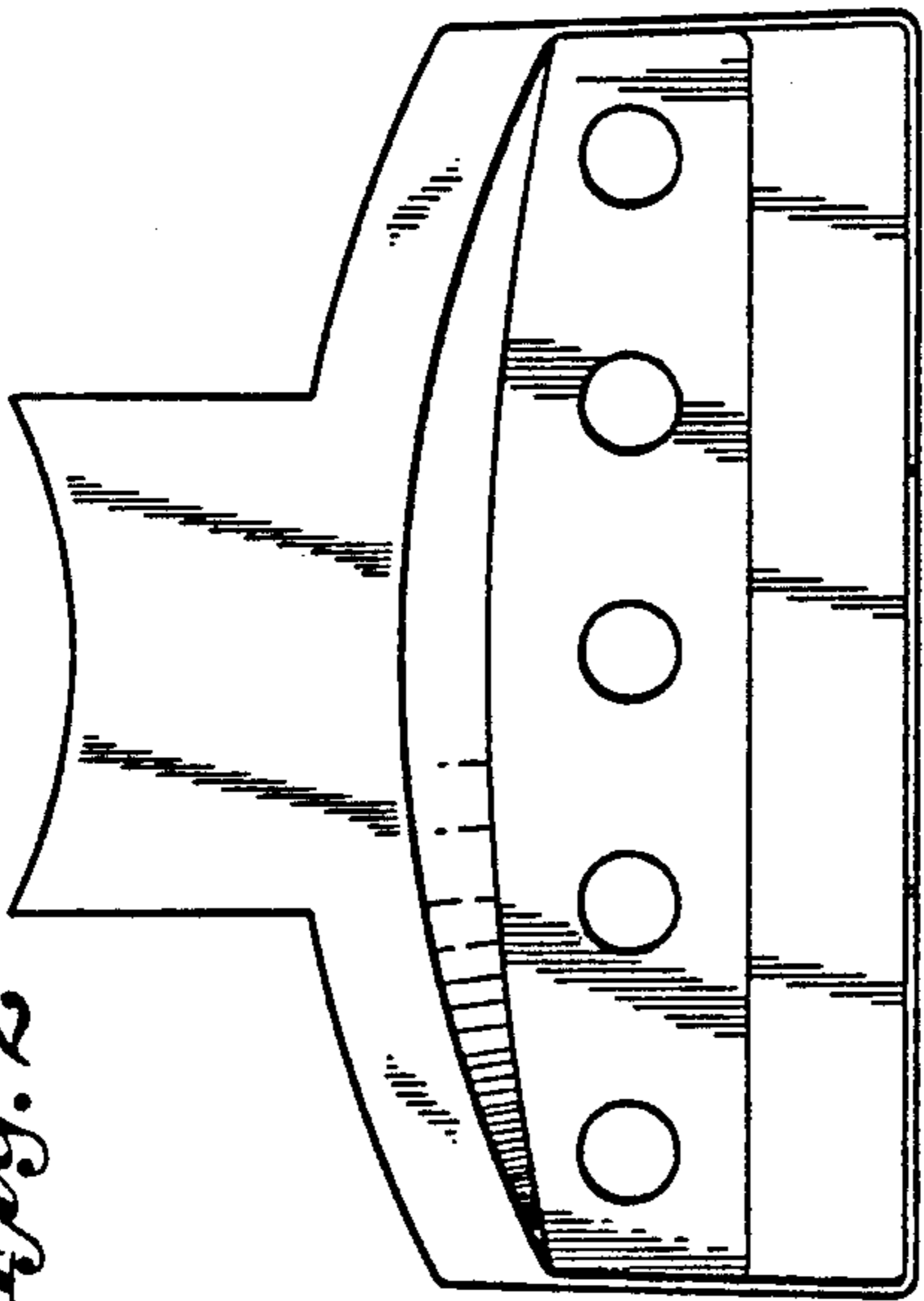


*Fig. 1*

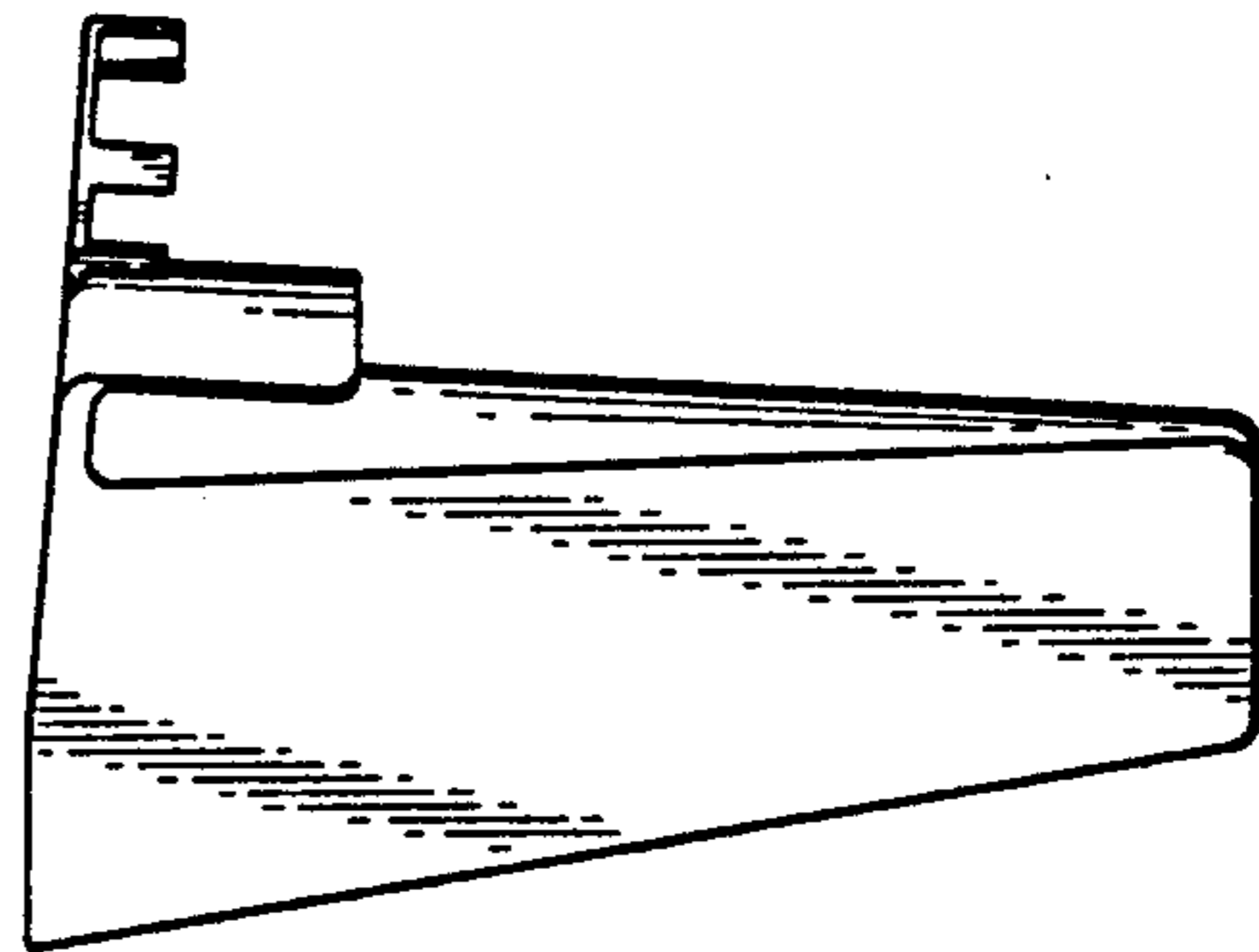
*Fig. 6*



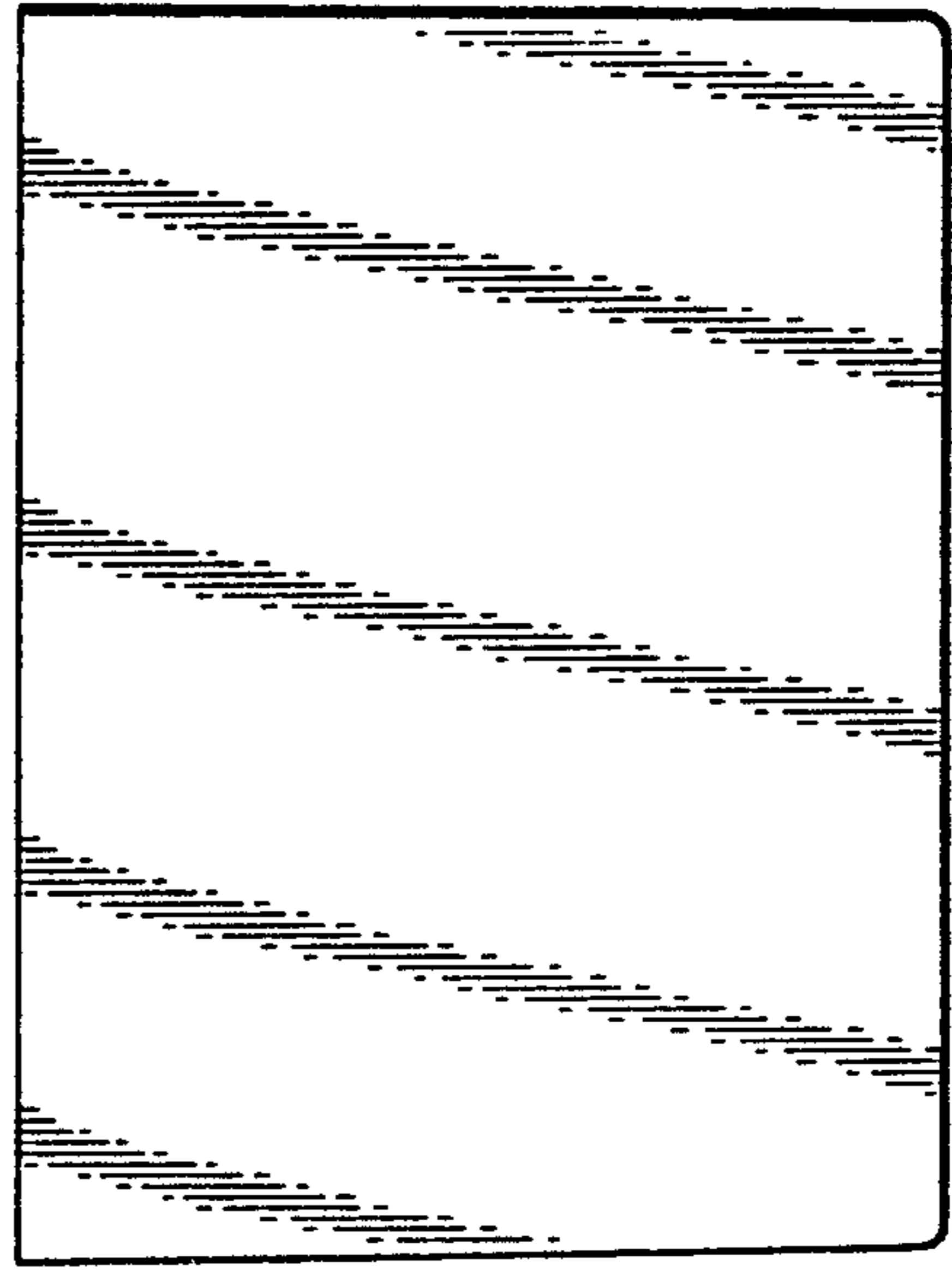
*Fig. 2*



*Fig. 5*



*Fig. 4*



*Fig. 3*