



US00D327146S

United States Patent [19]

[11] Patent Number: **Des. 327,146**

Miller

[45] Date of Patent: **** Jun. 16, 1992**

[54] **COMBINED SQUEEGEE AND SPONGE FOR CLEANING SHOWERS**

2,155,462 4/1939 Anderson D32/41 X
4,414,700 11/1983 Burns .
4,724,568 2/1988 Englehardt .
4,759,091 7/1988 Kiss .

[76] Inventor: **Erma Miller**, 130 1/2 N. Market St.,
Elizabethtown, Pa. 17022

Primary Examiner—Wallace R. Burke
Assistant Examiner—Lavone D. Tabor
Attorney, Agent, or Firm—Terry M. Gernstein

[**] Term: **14 Years**

[21] Appl. No.: **504,986**

[57] **CLAIM**

[22] Filed: **Apr. 4, 1990**

The ornamental design for a combined squeegee and sponge for cleaning showers, as shown and described.

[52] U.S. Cl. **D32/42**

[58] Field of Search D4/116, 118, 137;
D32/35, 40-43, 46-49; 15/105, 111, 117, 121,
220 R, 231-232, 236.01-236.09, 244.1-244.4,
245

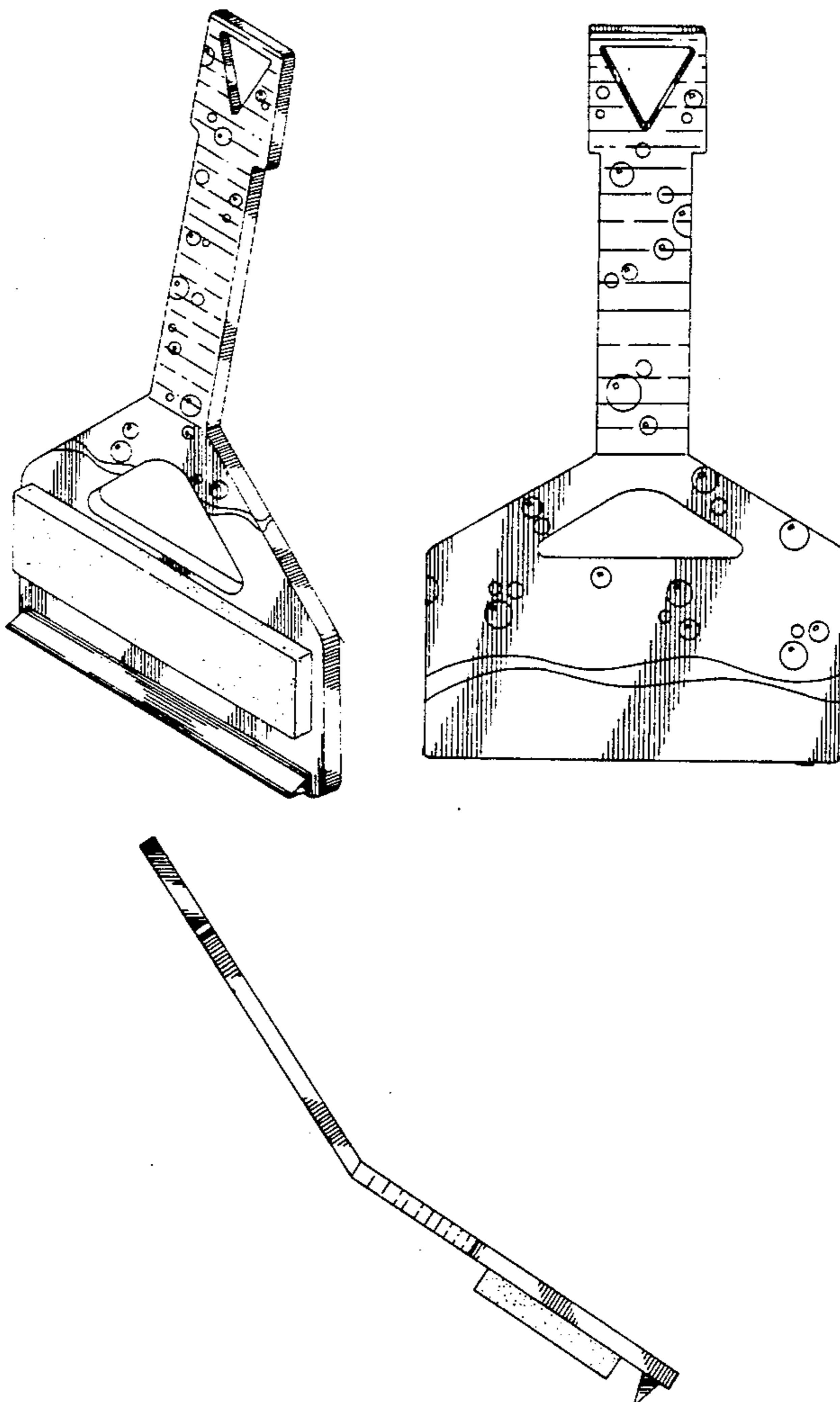
DESCRIPTION

[56] **References Cited**

U.S. PATENT DOCUMENTS

D. 46,406	9/1914	Miller	D8/16
D. 196,709	10/1963	Johnson	D32/48
D. 243,060	1/1977	Graham et al.	D32/49
D. 247,543	3/1978	Savage	D4/118
D. 271,626	11/1983	Bauer	D32/42

FIG. 1 is a perspective view of a combined squeegee and sponge for cleaning showers showing my new design;
FIG. 2 is a front elevational view thereof;
FIG. 3 is a side elevational view thereof, the opposite side being a mirror image;
FIG. 4 is a rear elevational view thereof;
FIG. 5 is an end elevational view thereof; and,
FIG. 6 is an elevational view of the opposite end thereof.



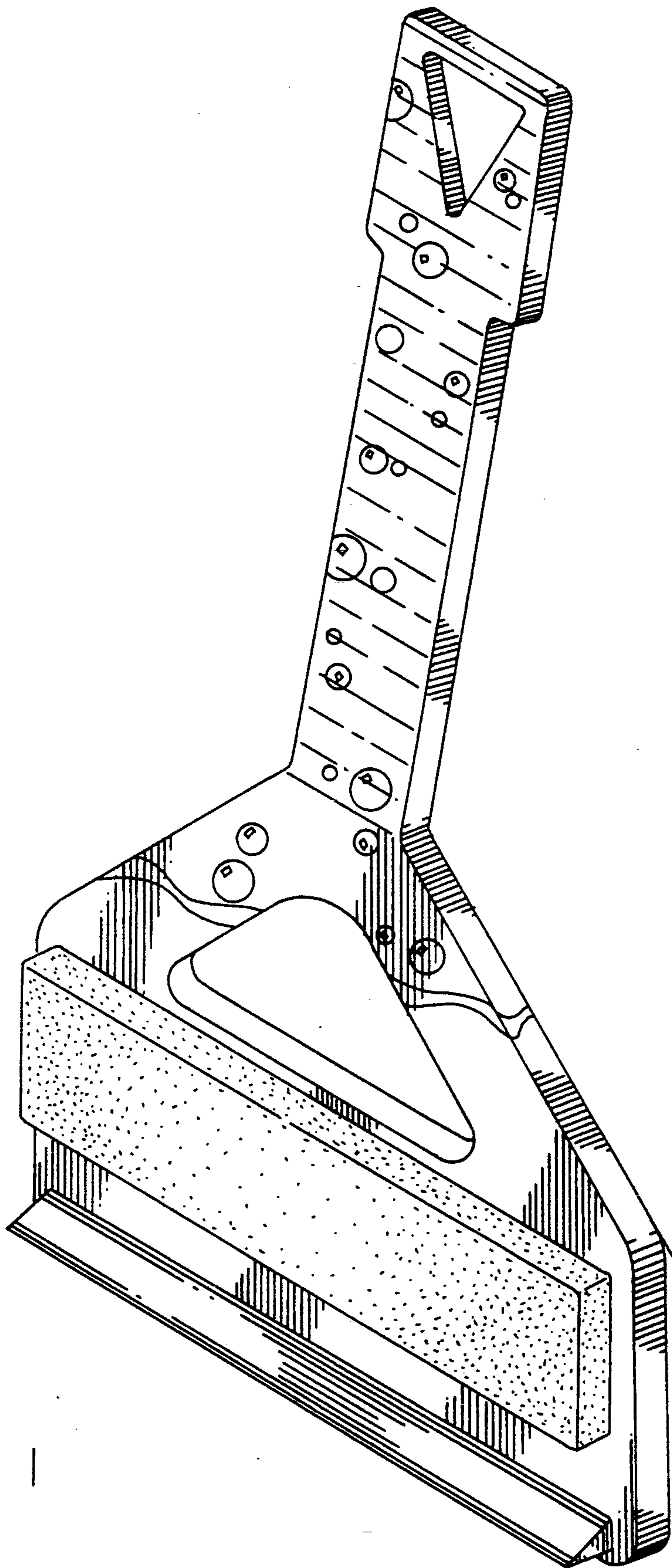


FIG. 1

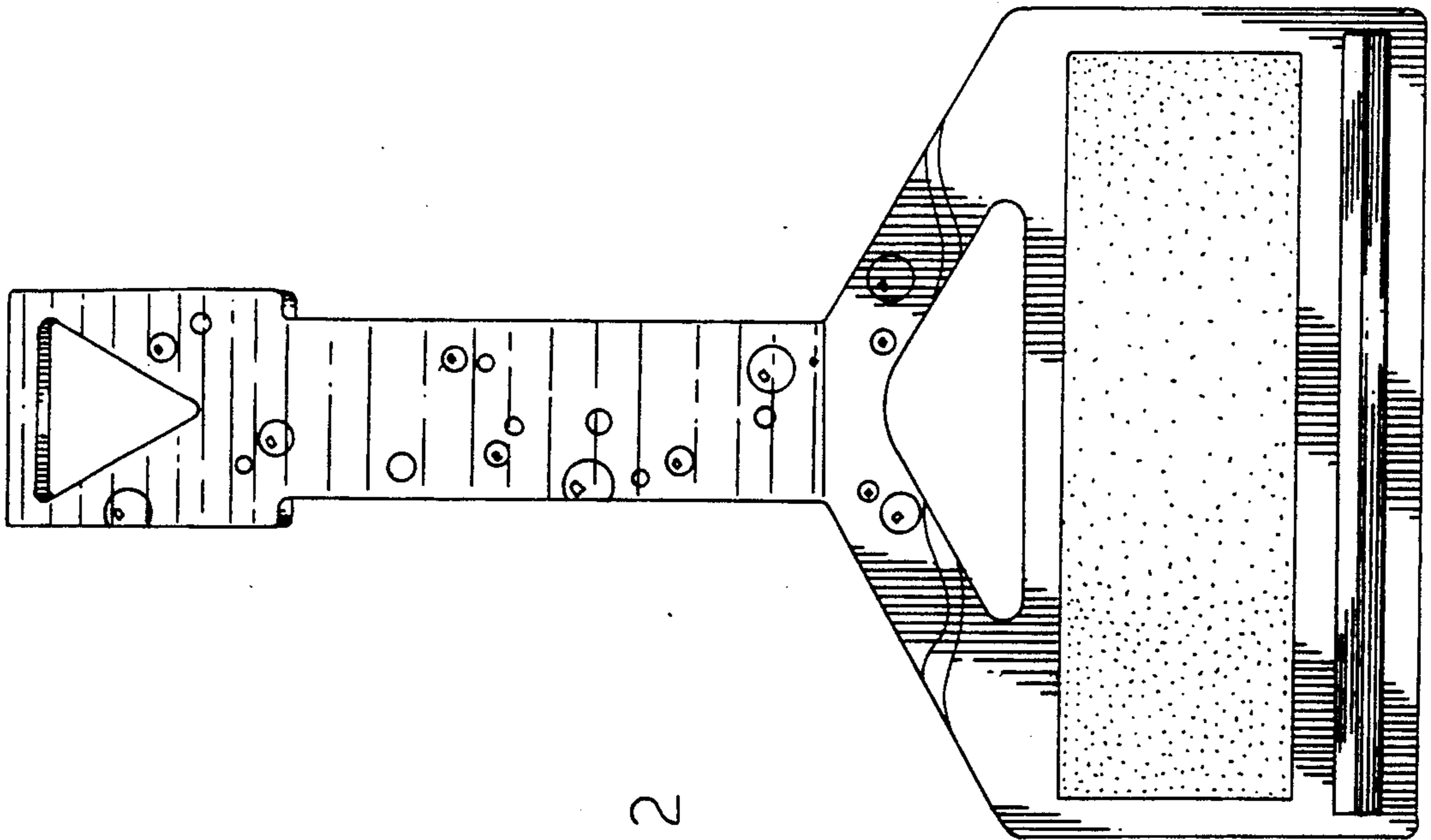


FIG. 2

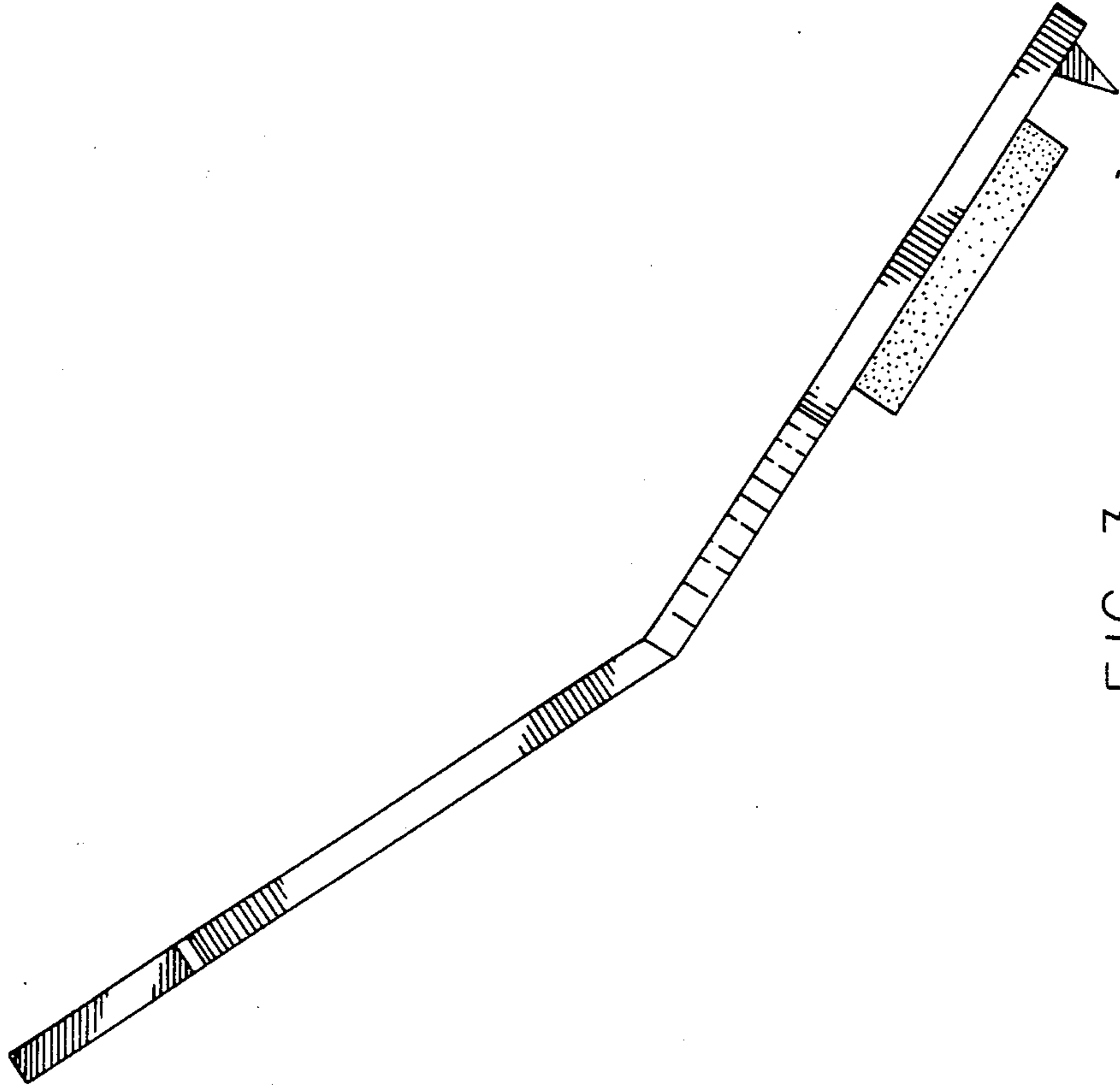


FIG. 3

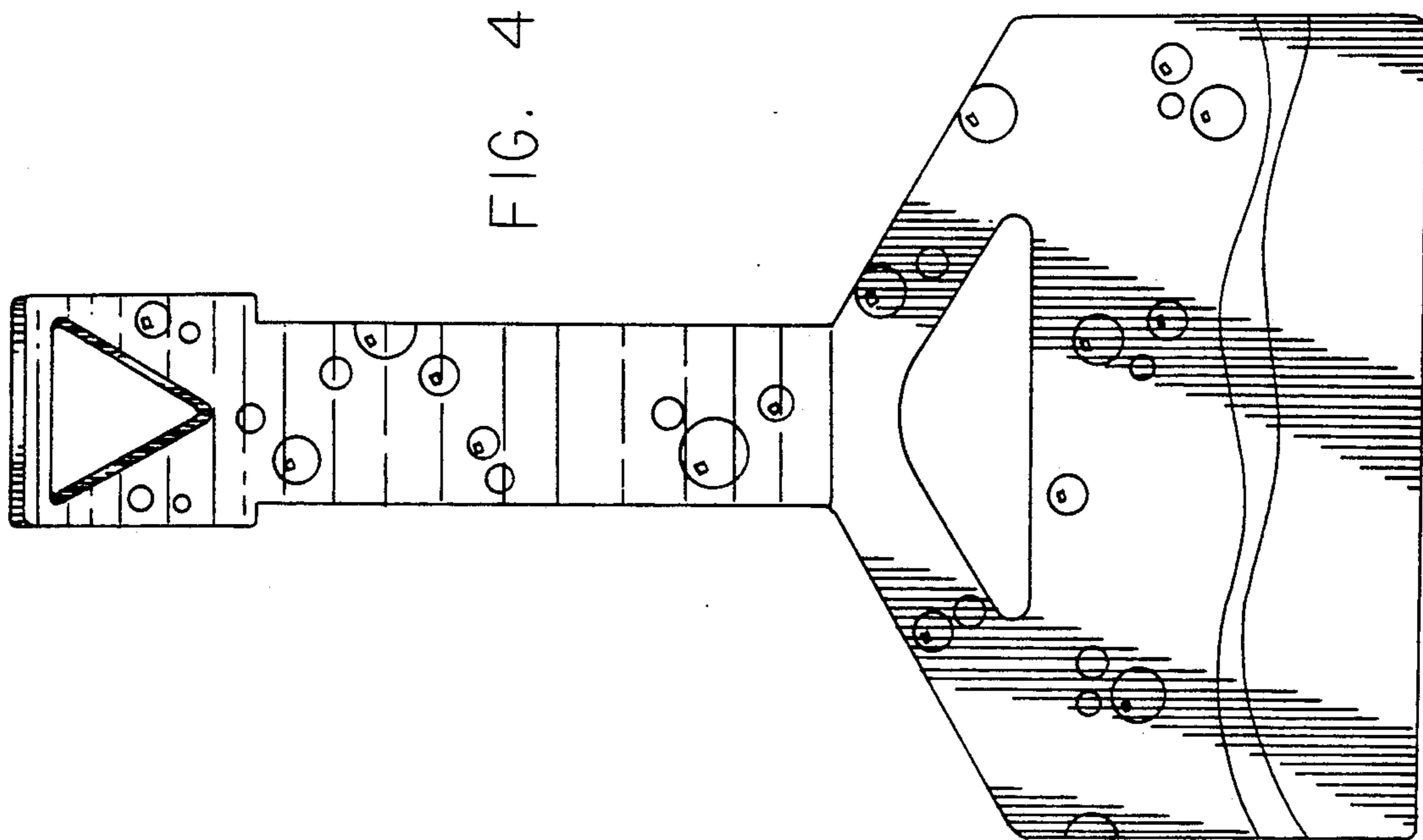


FIG. 4

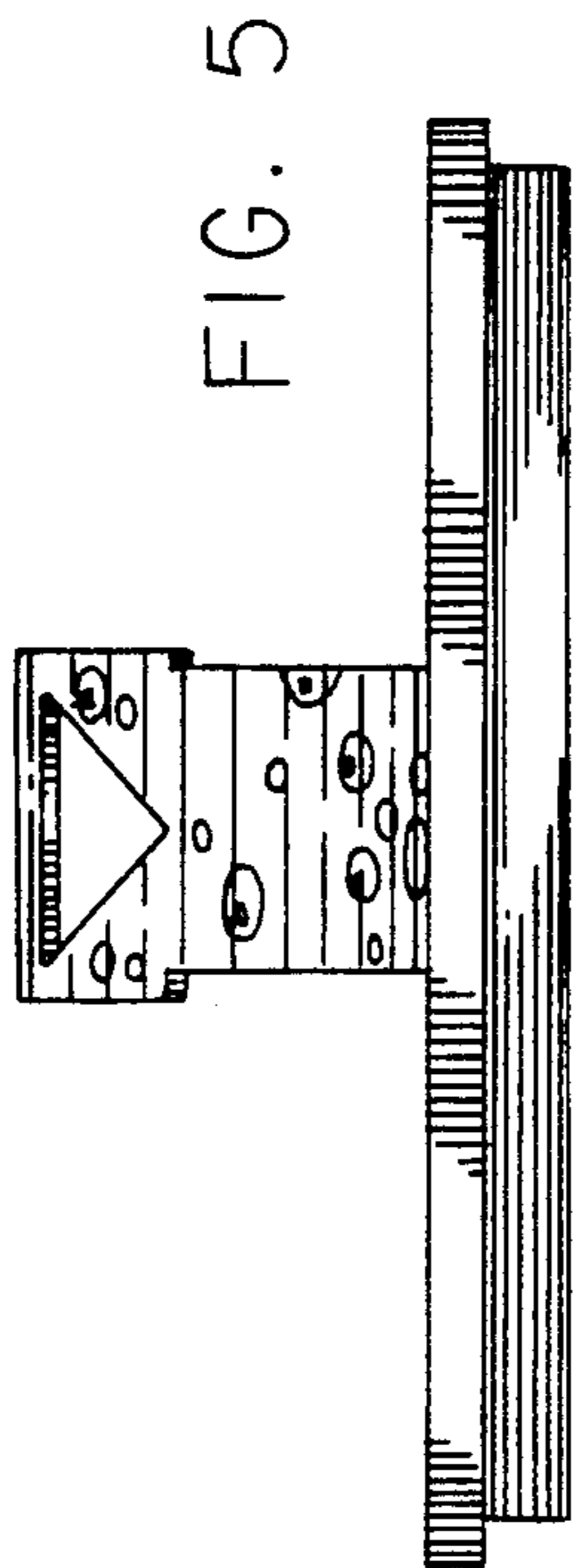


FIG. 5

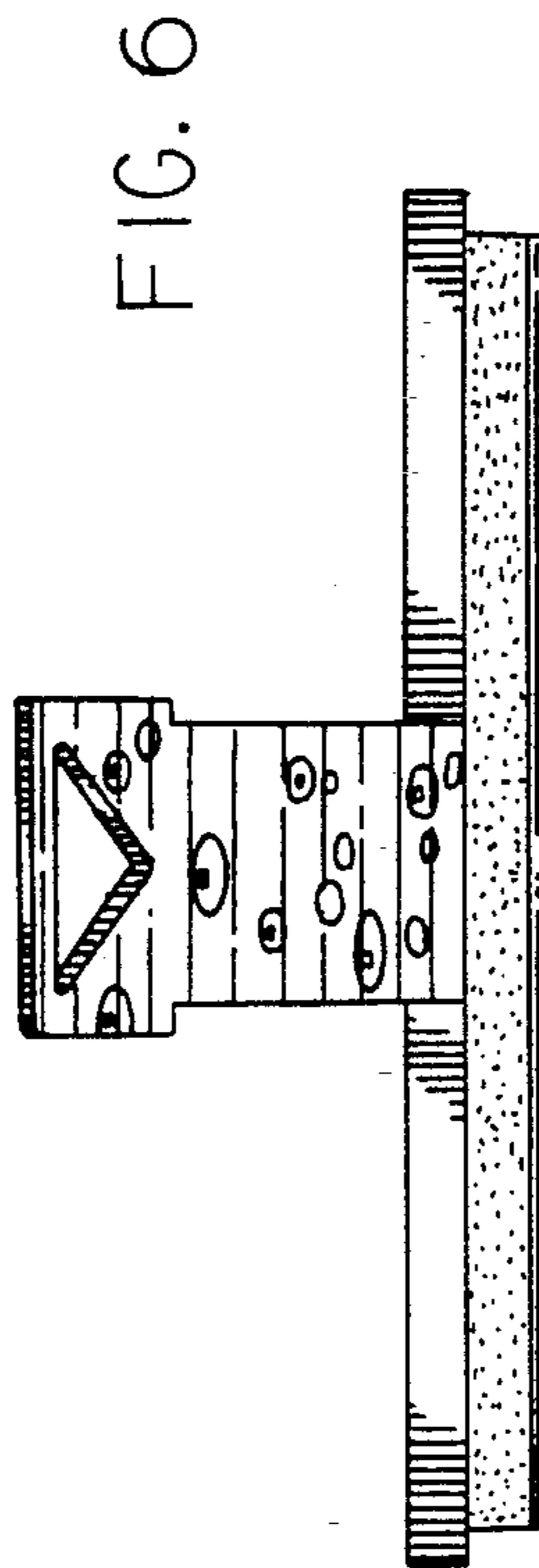


FIG. 6