



US00D327132S

United States Patent [19]

[11] Patent Number: **Des. 327,132**

Schuster

[45] Date of Patent: **** Jun. 16, 1992**

[54] FLUORESCENT LAMP

DESCRIPTION

[75] Inventor: **Werner Schuster**, Eching/A., Fed. Rep. of Germany

[73] Assignee: **OSRAM Gesellschaft mit beschraenkter Haftung**, Munich, Fed. Rep. of Germany

[**] Term: **14 Years**

[21] Appl. No.: **597,806**

[22] Filed: **Oct. 12, 1990**

[30] Foreign Application Priority Data

Apr. 26, 1990 [WO] World Int. Prop. O. ... DM/016 536
[52] U.S. Cl. **D26/3**
[58] Field of Search **D26/2, 3; 313/493, 315, 313/318, 113; 362/222, 310**

[56] References Cited

U.S. PATENT DOCUMENTS

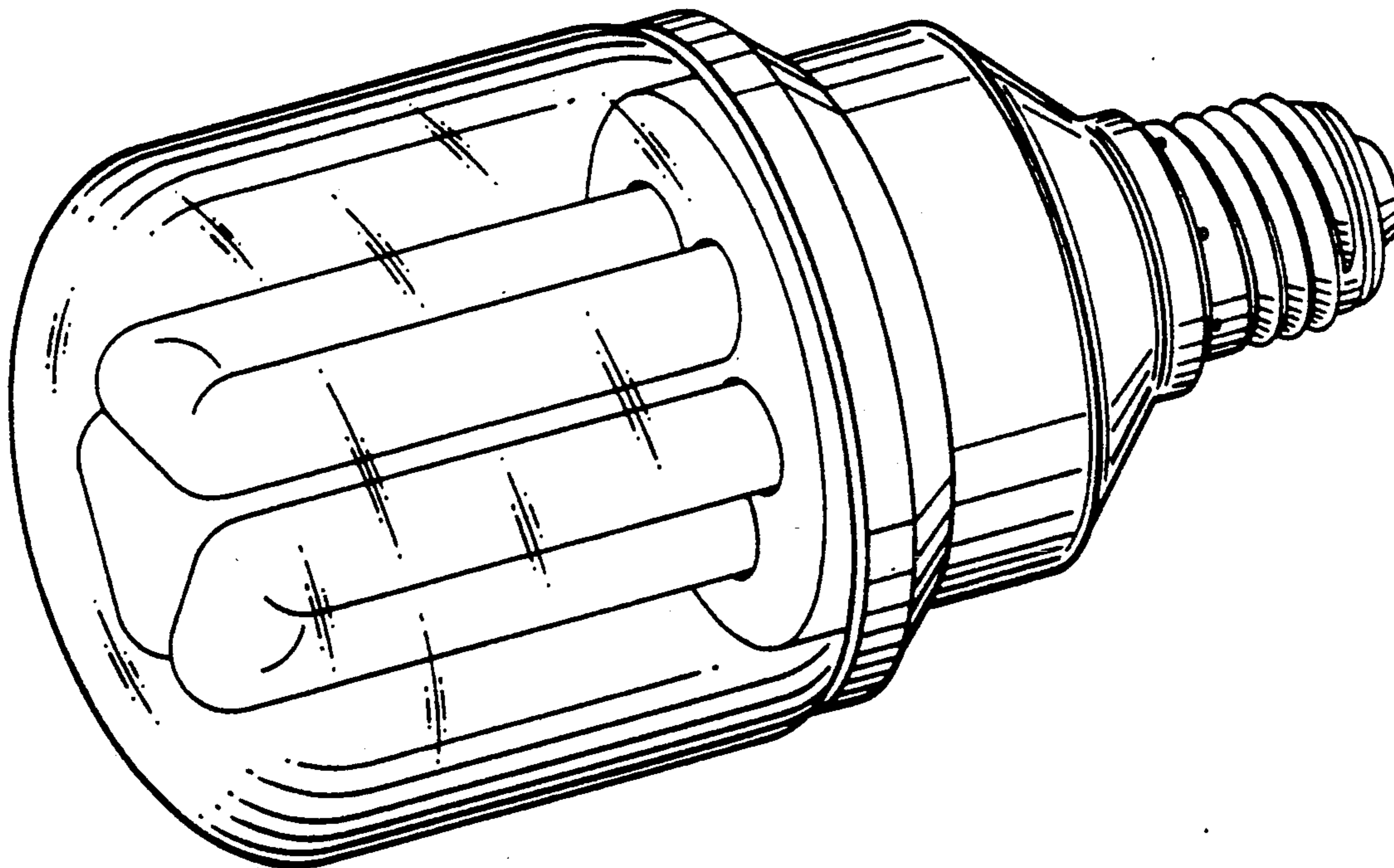
D. 262,406	12/1981	Zabransky	D26/2
D. 271,906	12/1983	Zabransky	D26/2
D. 282,490	2/1986	Fujta et al.	D26/3
4,761,585	8/1988	Linnmann et al.	D26/2 X
4,939,420	7/1990	Lim	313/318 X

Primary Examiner—Susan J. Lucas
Attorney, Agent, or Firm—Frishauf, Holtz, Goodman & Woodward

[57] CLAIM

The ornamental design for a fluorescent lamp, as shown and described.

FIG. 1 is a top, front perspective view of a fluorescent lamp showing my new design;
 FIG. 2 is a front elevational view thereof;
 FIG. 3 is a side elevational view thereof as seen from the left of FIG. 2;
 FIG. 4 is a rear elevational view thereof;
 FIG. 5 is a side elevational view thereof as seen from the right of FIG. 2;
 FIG. 6 is a top plan view thereof;
 FIG. 7 is a bottom plan view thereof;
 FIG. 8 is a top, front perspective view of a second embodiment of my new design;
 FIG. 9 is a side elevational view thereof, the opposite side being a mirror image;
 FIG. 10 is a front elevational view thereof, the rear being a mirror image;
 FIG. 11 is a top plan view thereof;
 FIG. 12 is a perspective view of a third embodiment of my new design;
 FIG. 13 is a front elevational view thereof, the rear and sides being identical;
 FIG. 14 is a top plan view thereof;
 FIG. 15 is a top, front perspective view of a fourth embodiment of my new design;
 FIG. 16 is a front elevational view thereof, the rear and sides being identical; and,
 FIG. 17 is a top plan view thereof.
 The globe of the third and fourth embodiments is shaded to indicate translucency. The bottom views of the second, third and fourth embodiments are identical to that of the first embodiment as shown in FIG. 7.



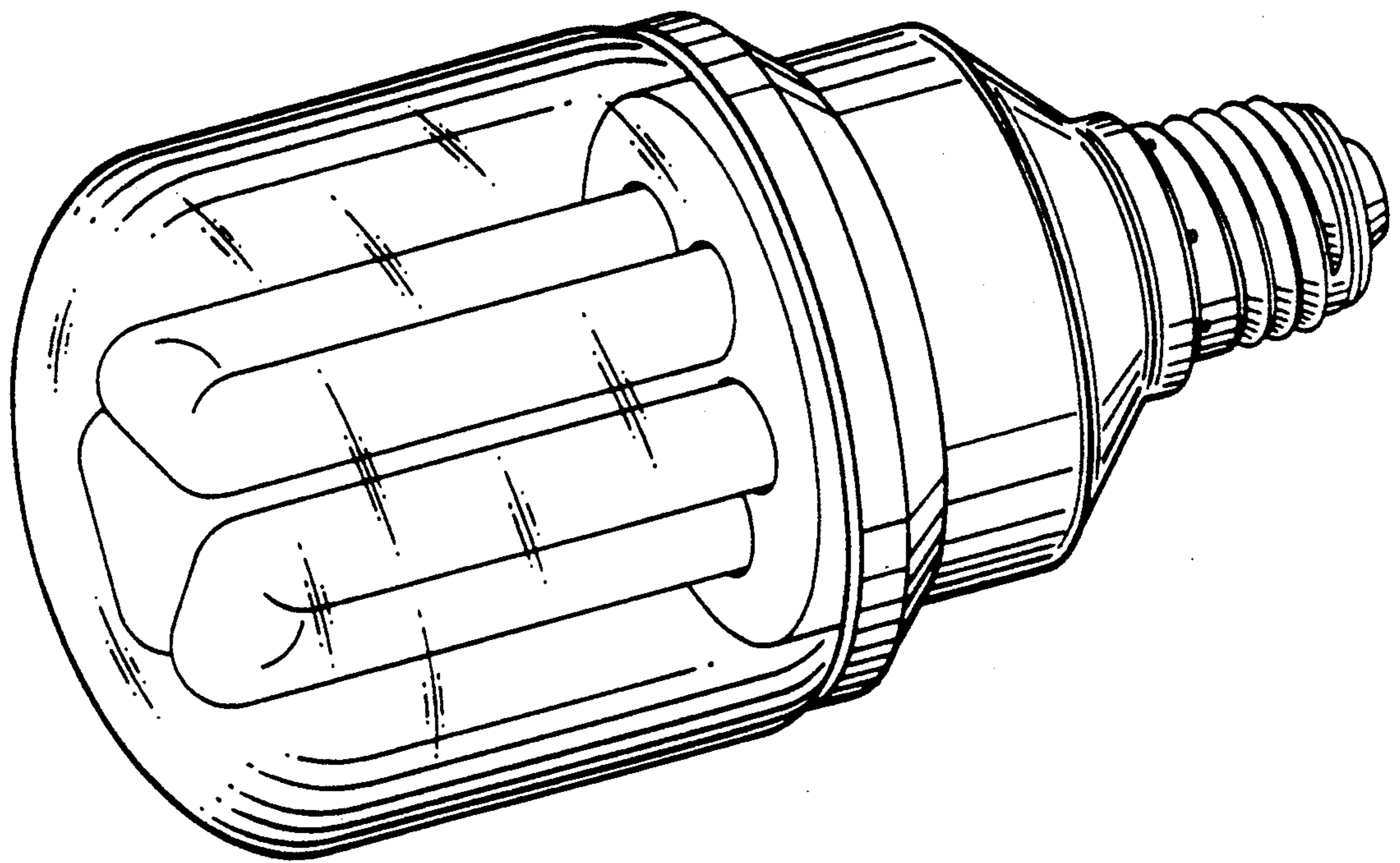


Fig. 1

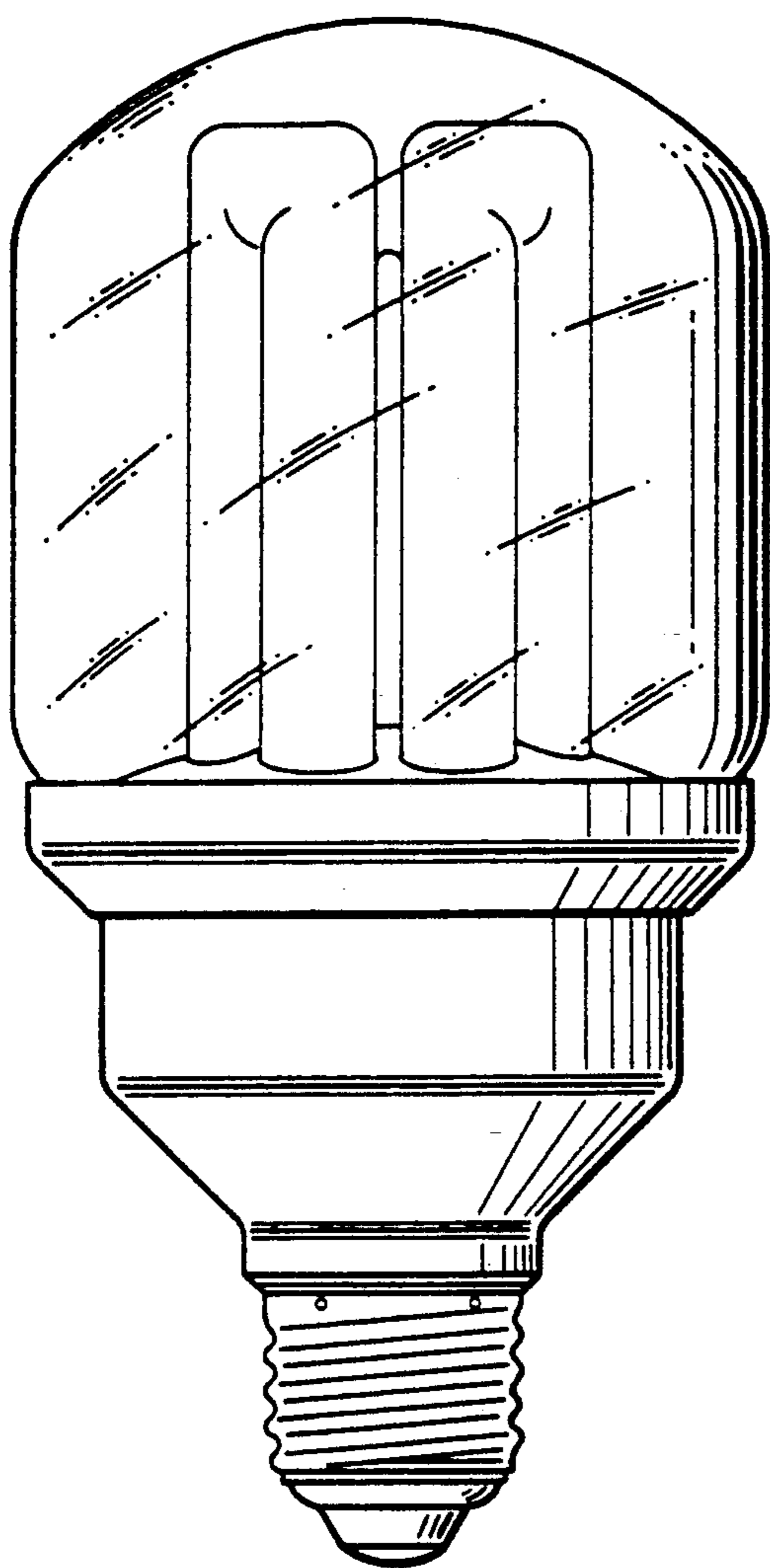


Fig. 2

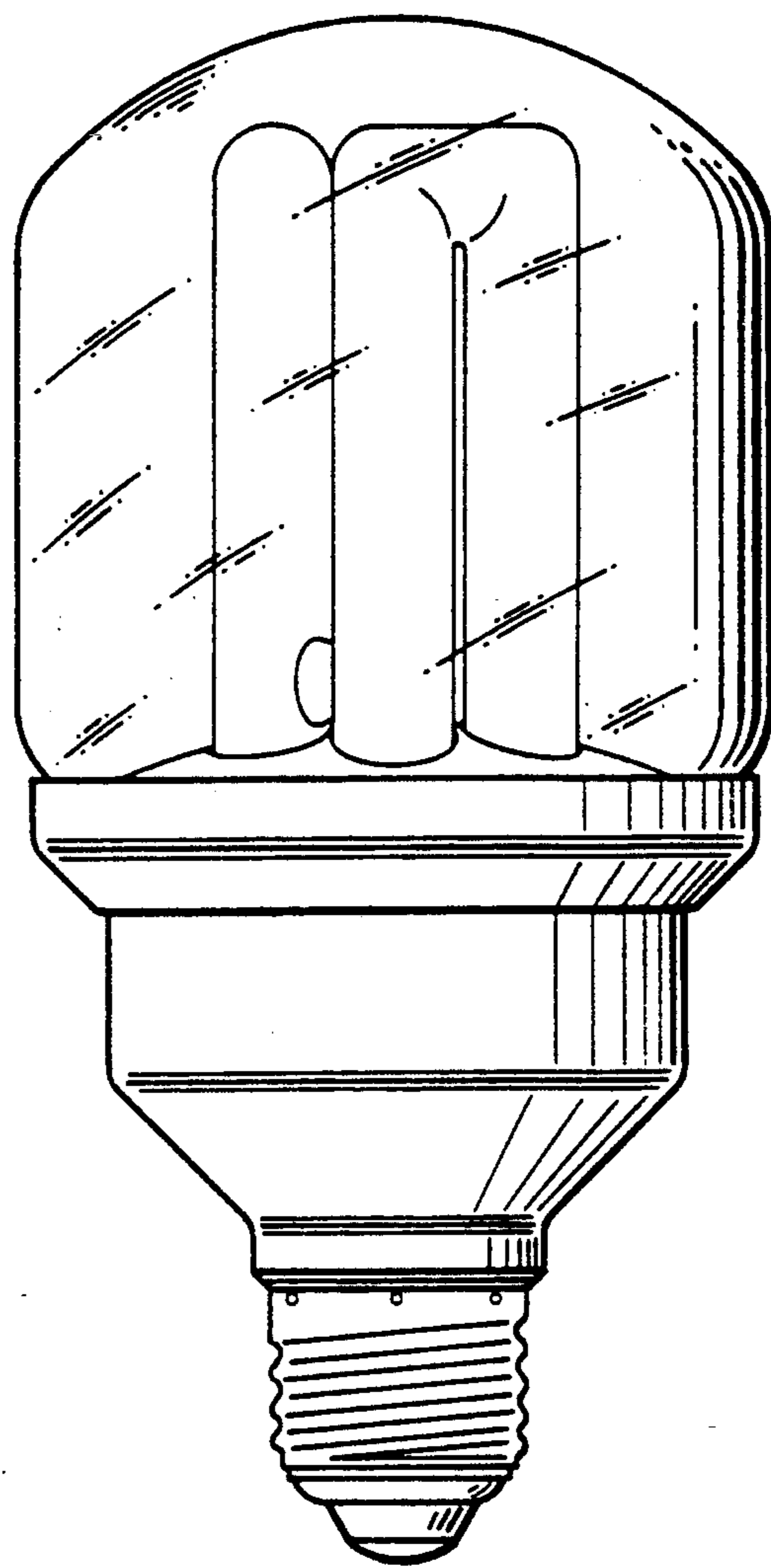


Fig. 3

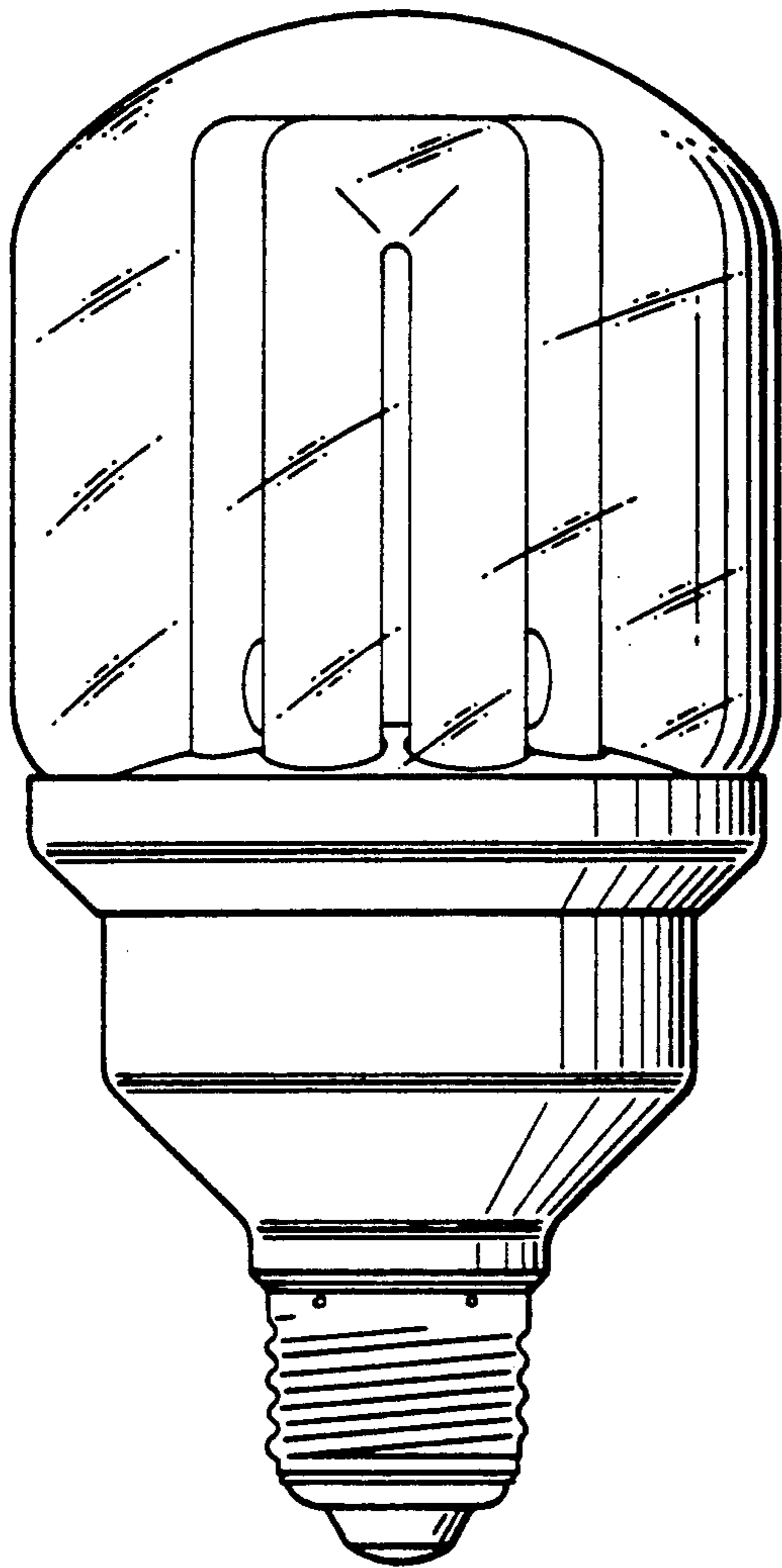


Fig. 4

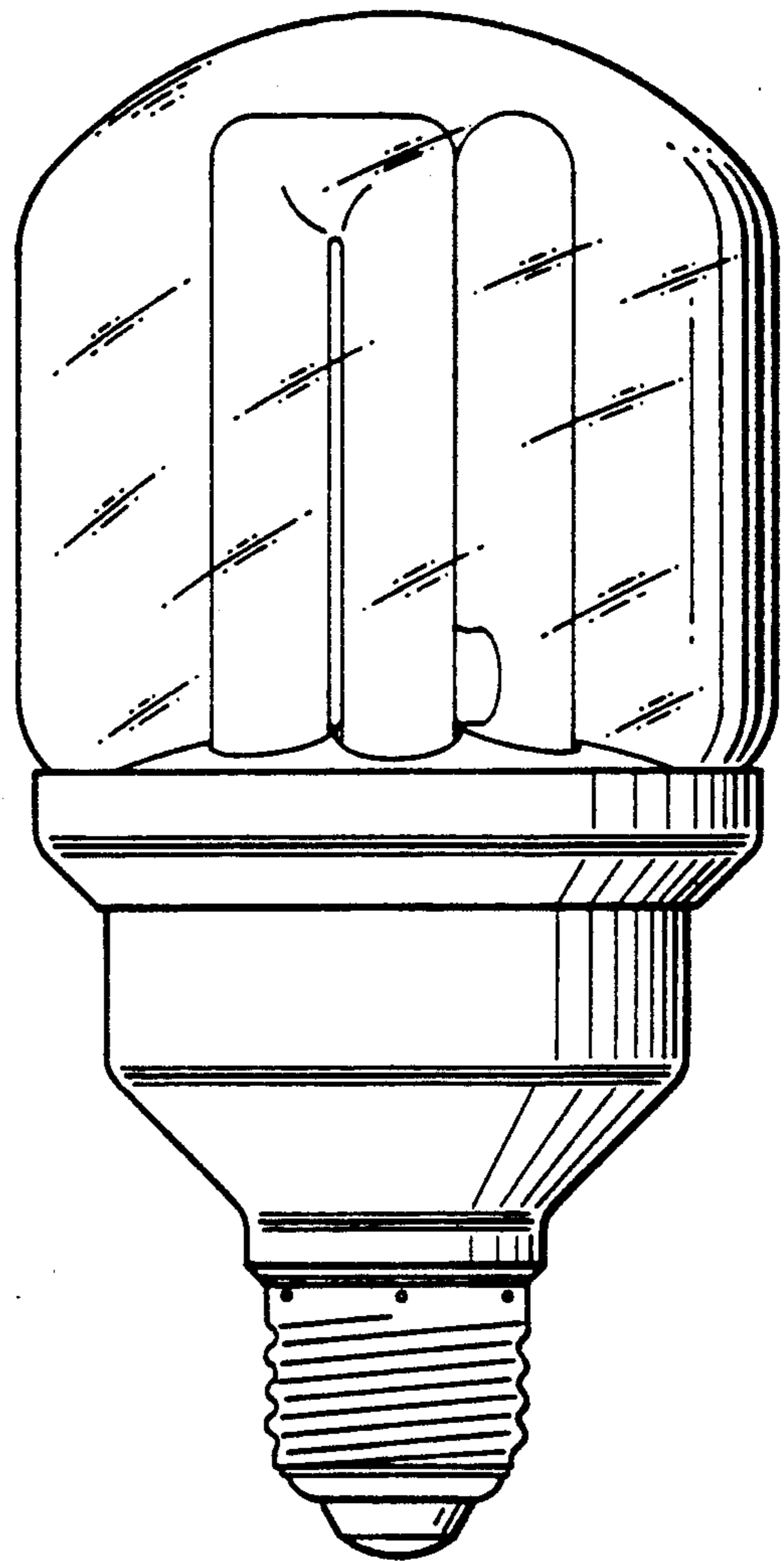


Fig. 5

Fig. 6

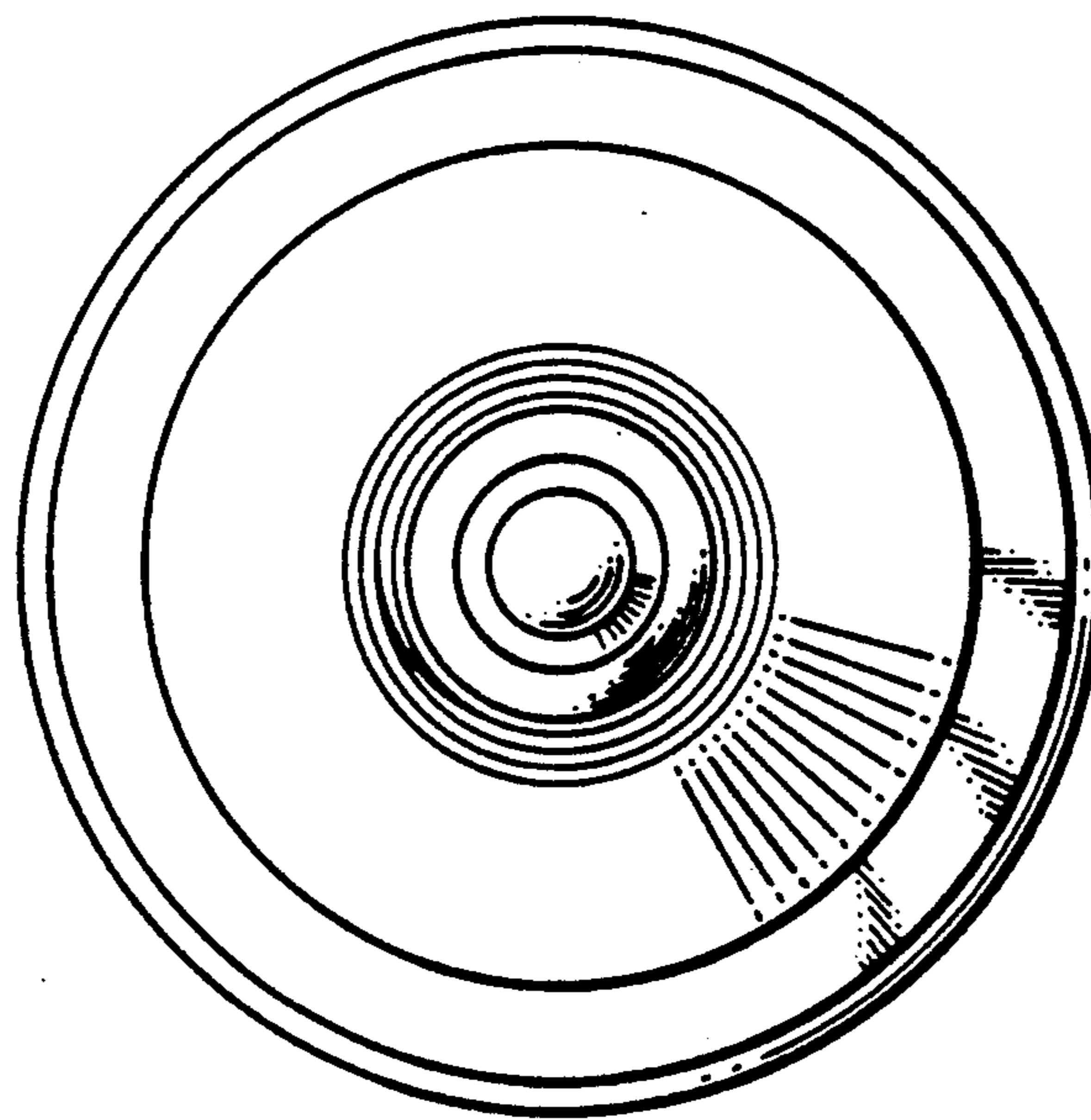
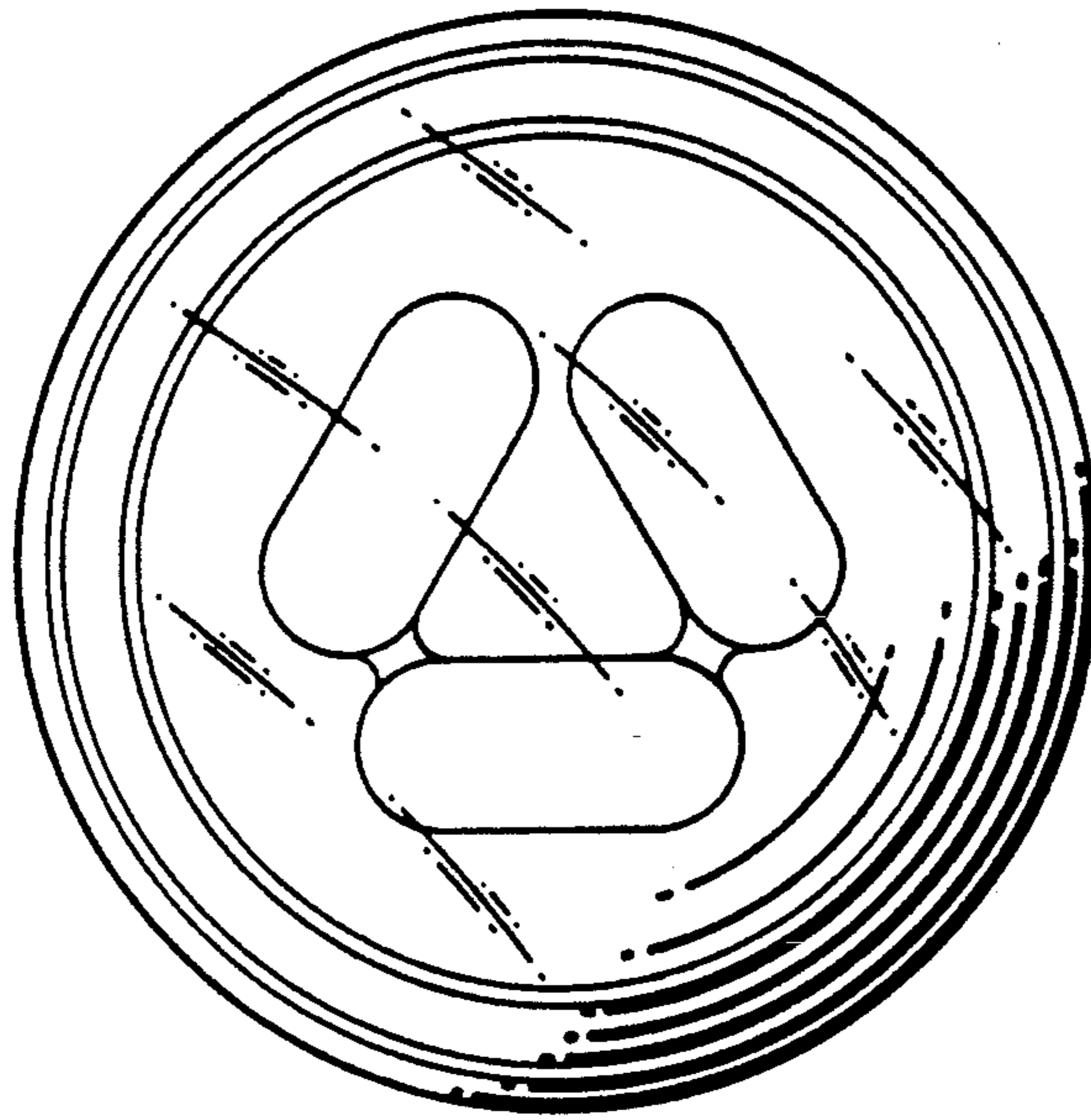


Fig. 7

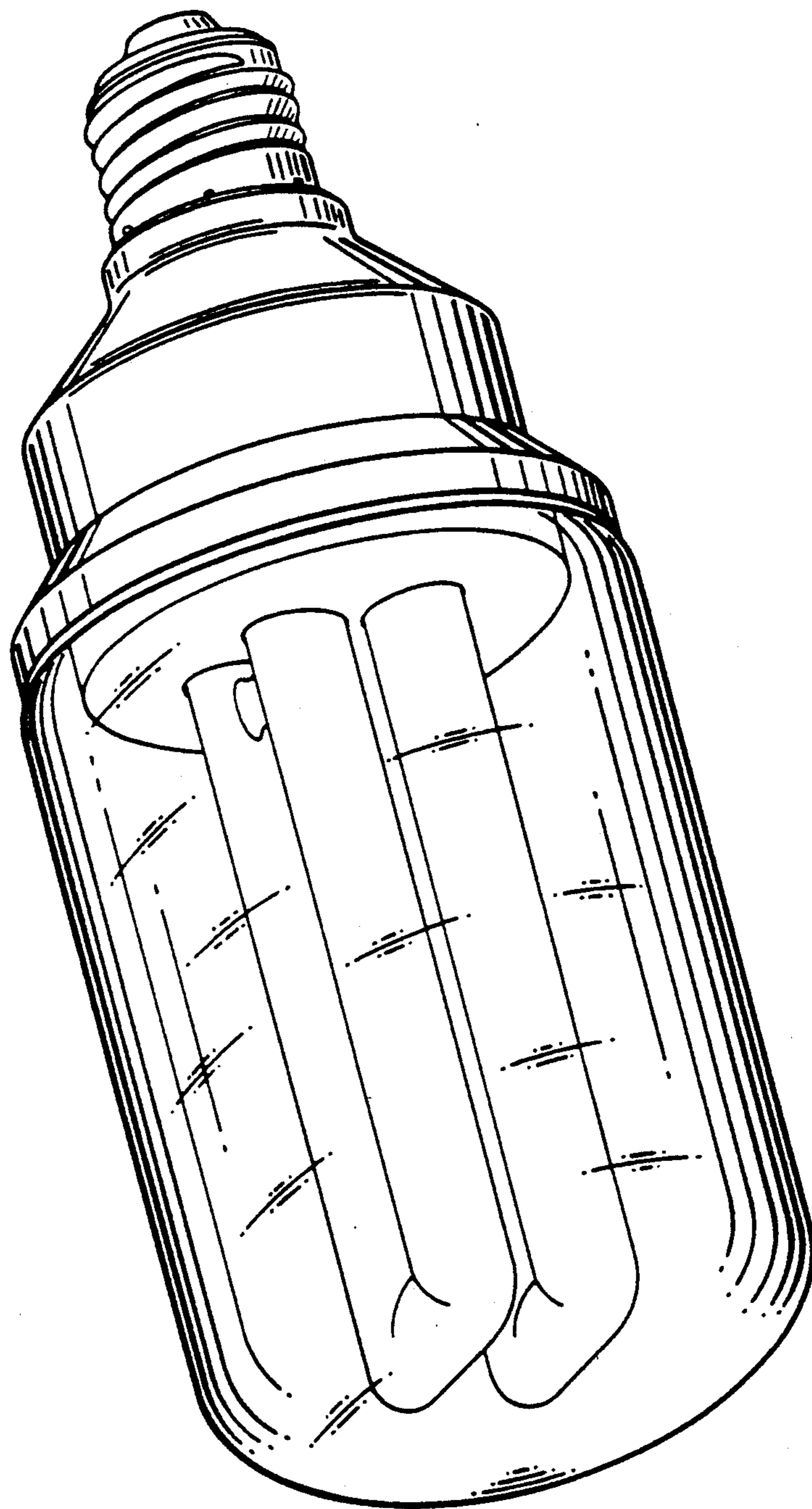


Fig. 8

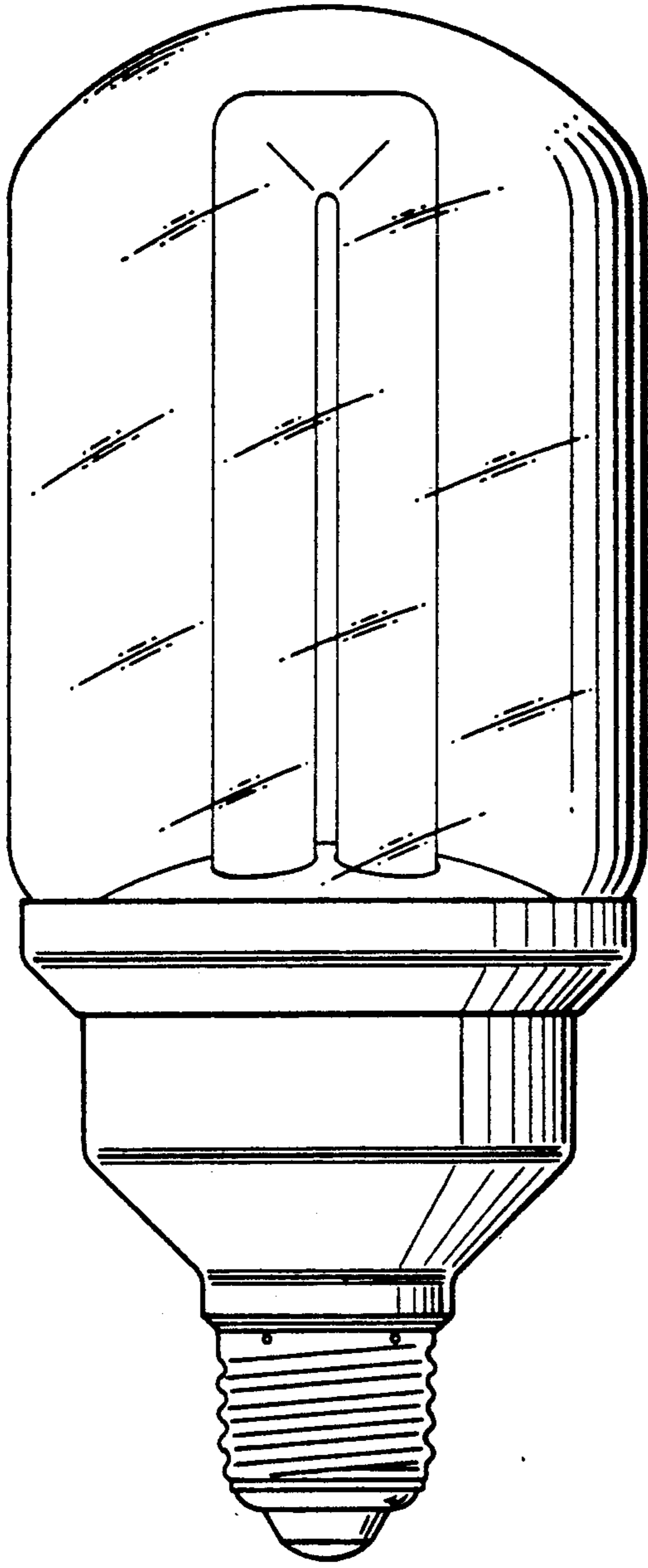


Fig. 9

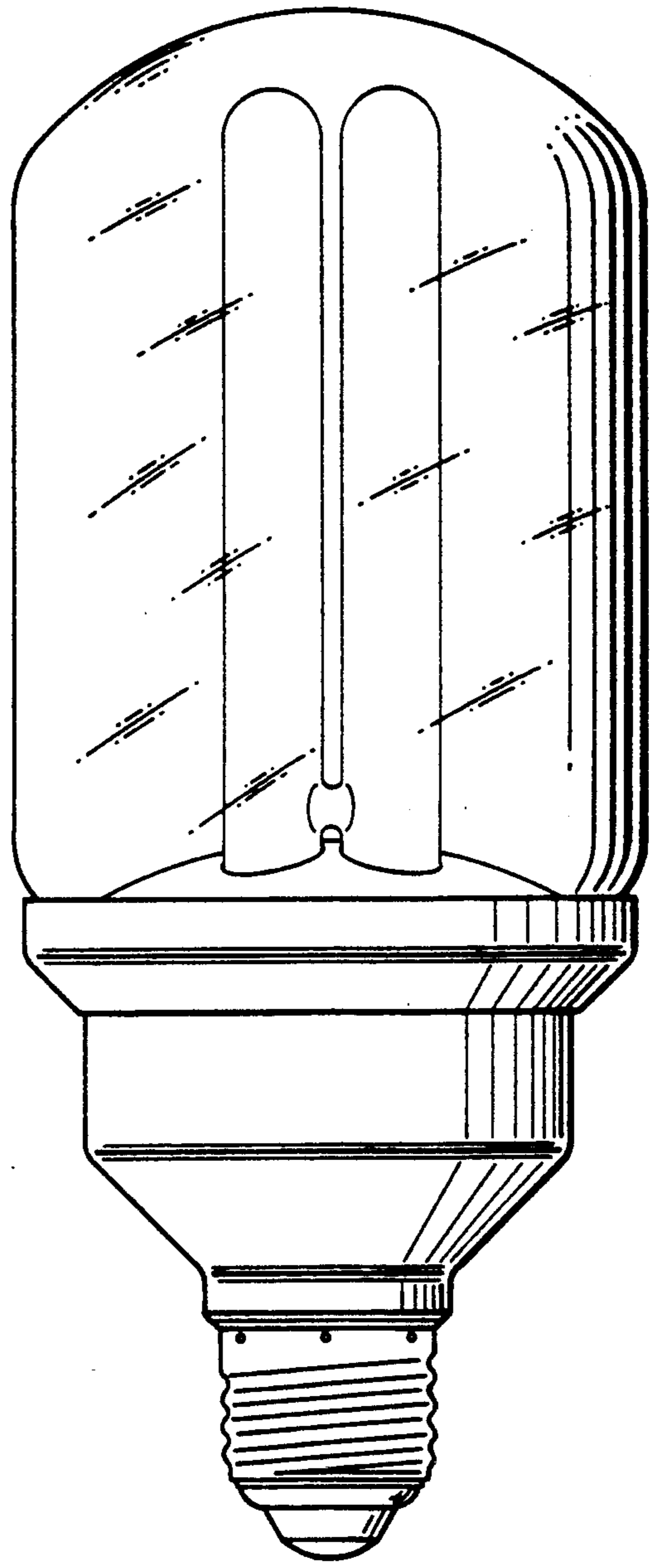


Fig. 10

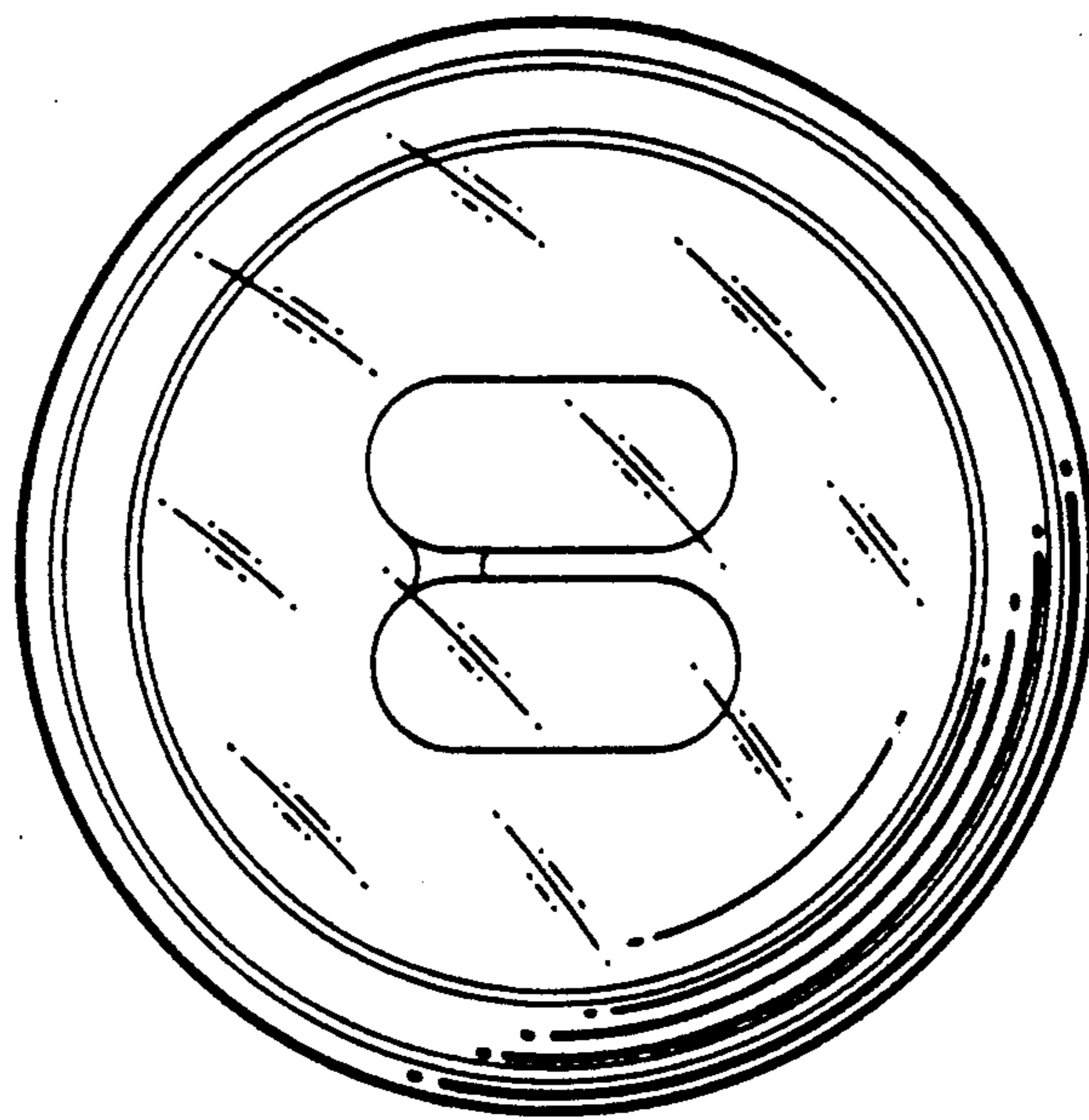


Fig. 11

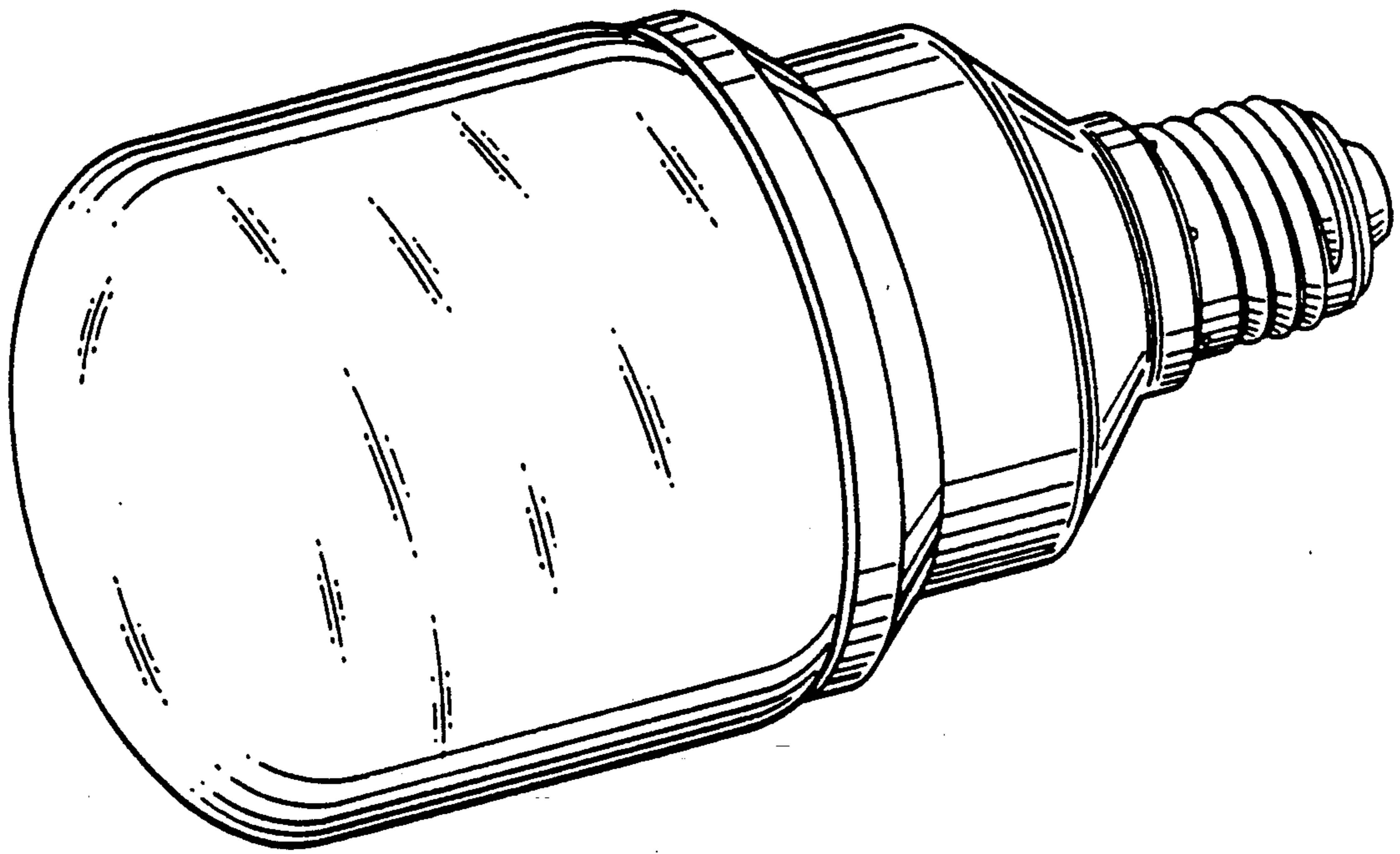


Fig. 12

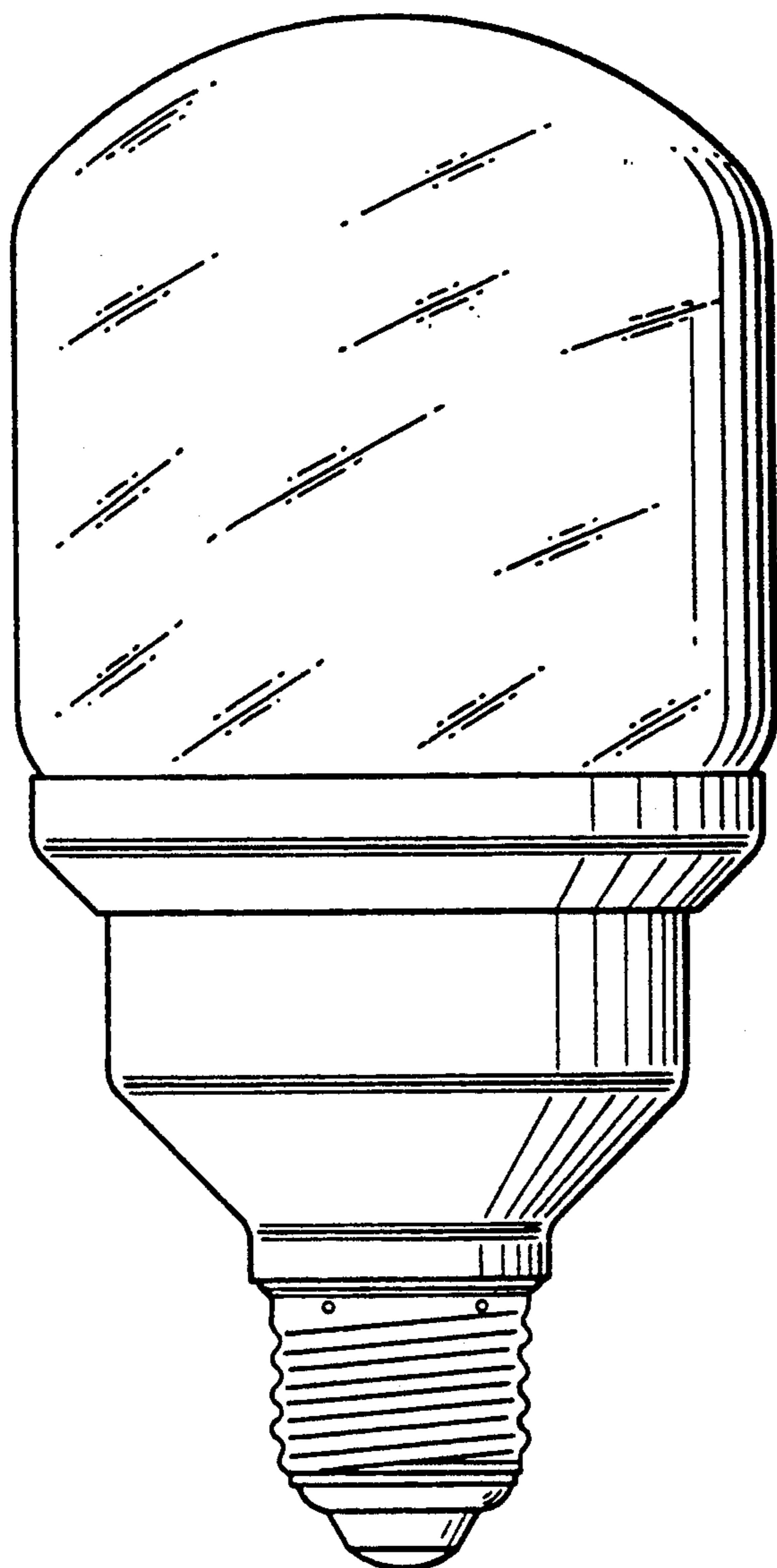


Fig. 13

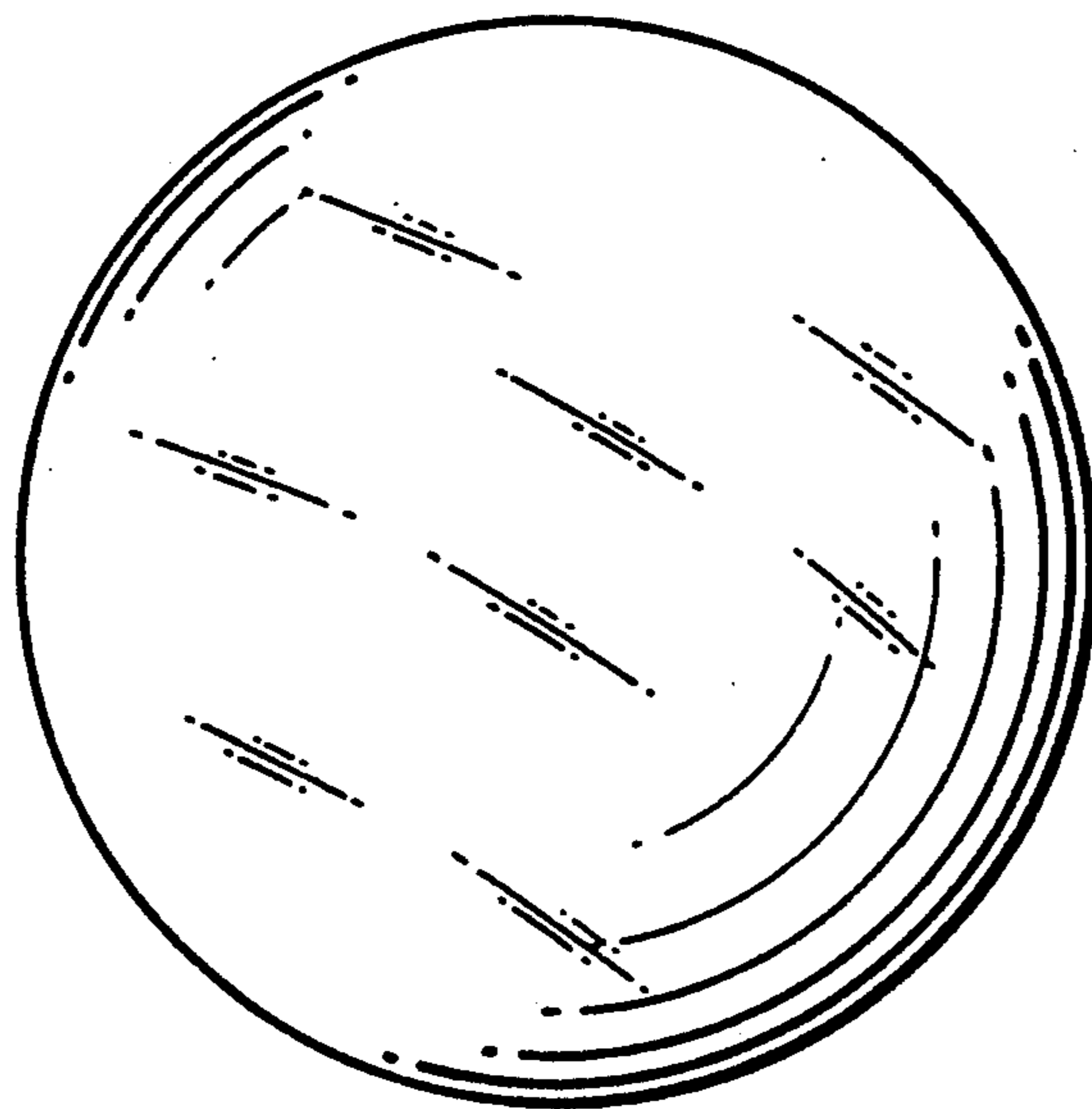


Fig. 14

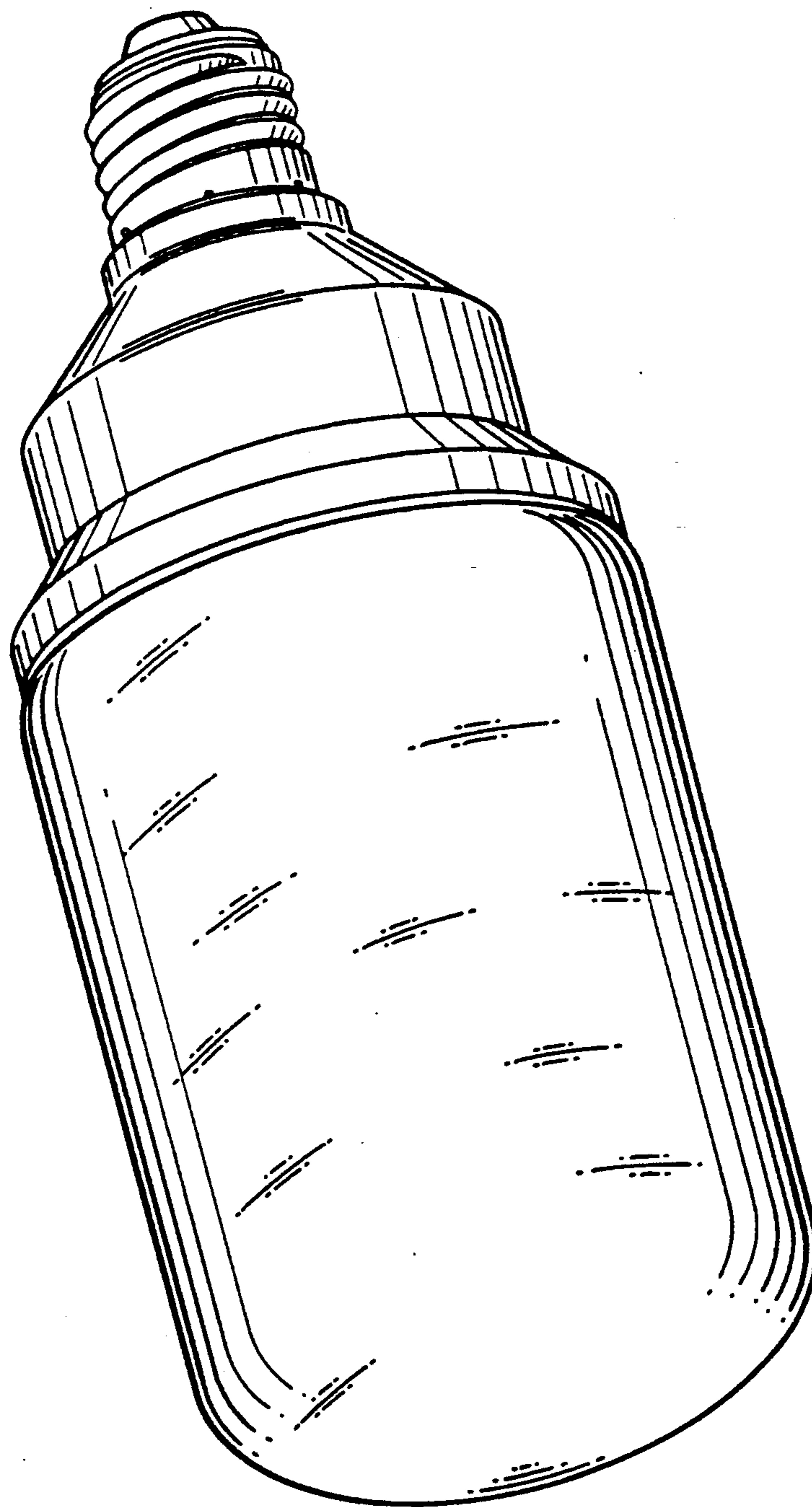


Fig. 15

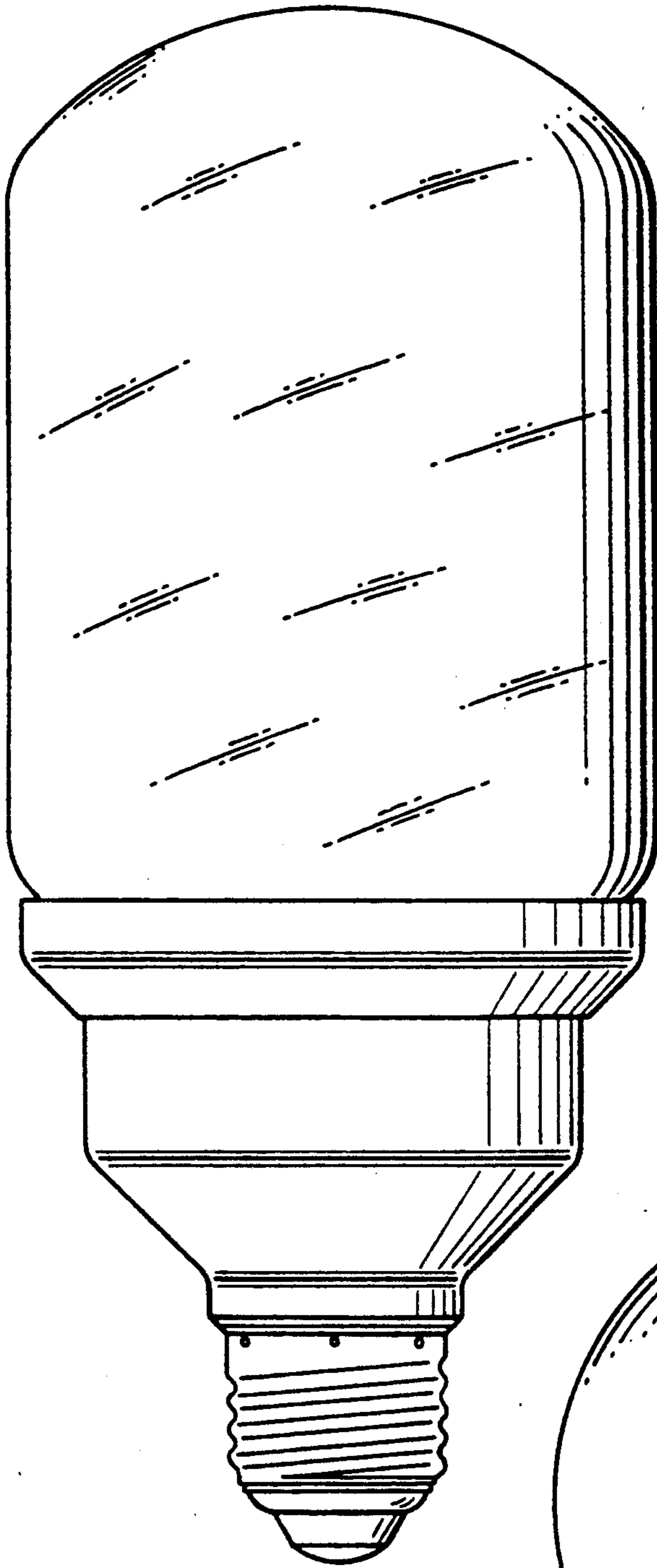


Fig. 16

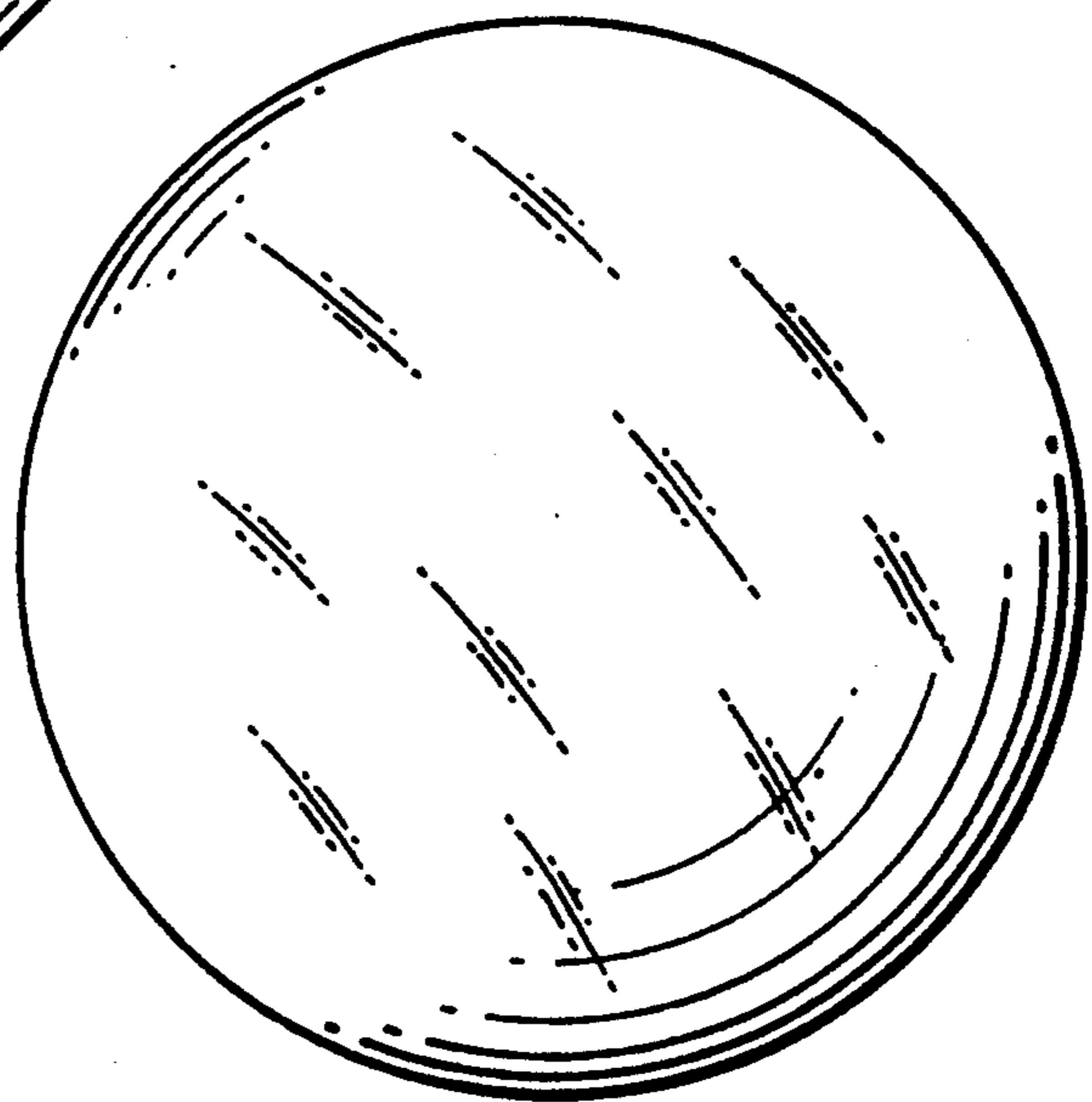


Fig. 17