



US00D327130S

# United States Patent [19]

[11] Patent Number: **Des. 327,130**

**Belanger et al.**

[45] Date of Patent: **\*\* Jun. 16, 1992**

[54] **COMBINED CAR WASH AND LIGHTED ARCHWAY**

*Assistant Examiner—Doris Clark  
Attorney, Agent, or Firm—Dykema Gossett*

[75] Inventors: **James A. Belanger**, Northville; **Barry S. Turner**, Livonia, both of Mich.

[57] **CLAIM**

The ornamental design for a combined car wash and lighted archway, as shown and described.

[73] Assignee: **Belanger, Inc.**, Northville, Mich.

[\*\*] Term: **14 Years**

**DESCRIPTION**

[21] Appl. No.: **440,618**

FIG. 1 is perspective view of a combined car wash and lighted archway showing our new design, the broken line showing of a vehicle and conveyor path is for illustrative purposes only and form no part of the claimed design;

[22] Filed: **Nov. 22, 1989**

[52] U.S. Cl. .... **D25/127; D25/199**

FIG. 2 is a front elevational view thereof;

[58] Field of Search ..... **D25/127, 62; 134/45,**

FIG. 3 is a side elevational view thereof;

**134/58, 123, 113, 115; 52/726**

FIG. 4 is a top plan view thereof;

[56] **References Cited**

**U.S. PATENT DOCUMENTS**

3,288,109	11/1966	Smith, Jr. et al. ....	134/123
3,595,459	12/1970	Phillips .....	134/123
3,701,356	10/1972	Hanna et al. ....	134/58 R
4,865,058	9/1989	Crotts et al. ....	134/123

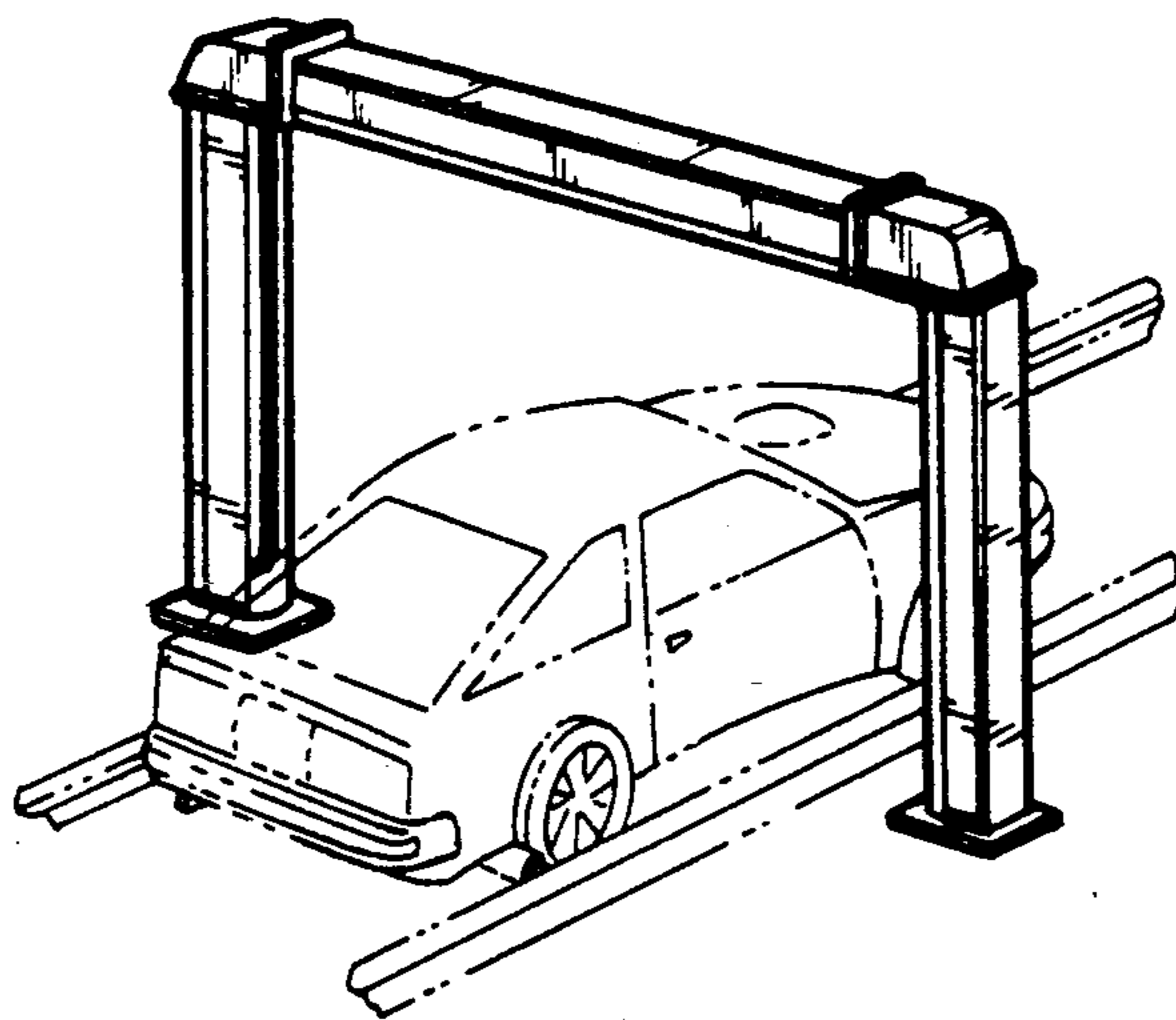
FIG. 5 is a second embodiment of a combined car wash and lighted archway showing our new design, the broken line showing of a vehicle and conveyor path is for illustrative purposes only and form no part of the claimed design;

FIG. 6 is a front elevational view thereof;

FIG. 7 is a side elevational view thereof; and,

FIG. 8 is a top plan view thereof.

*Primary Examiner—A. Hugo Word*



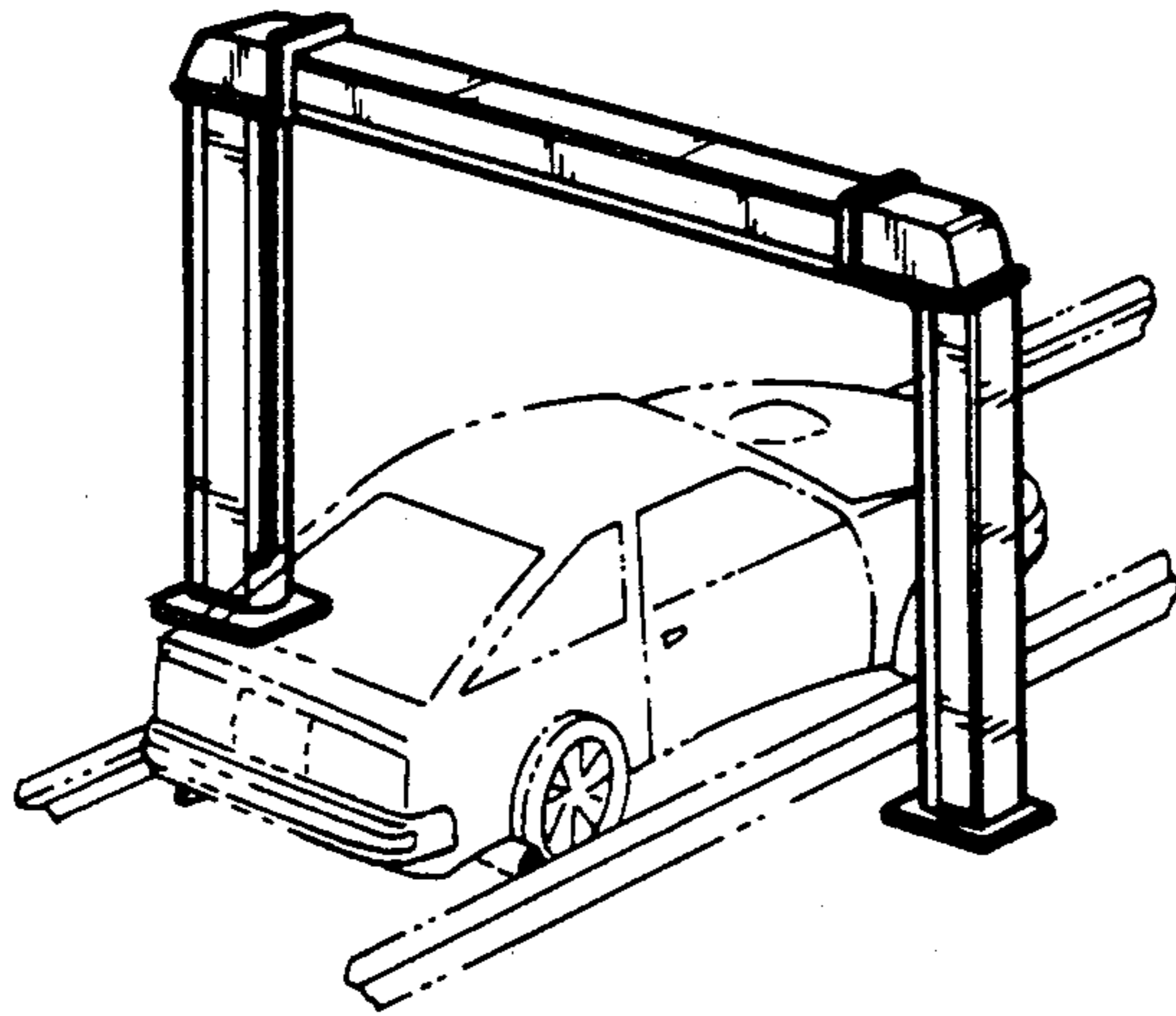


Fig-1

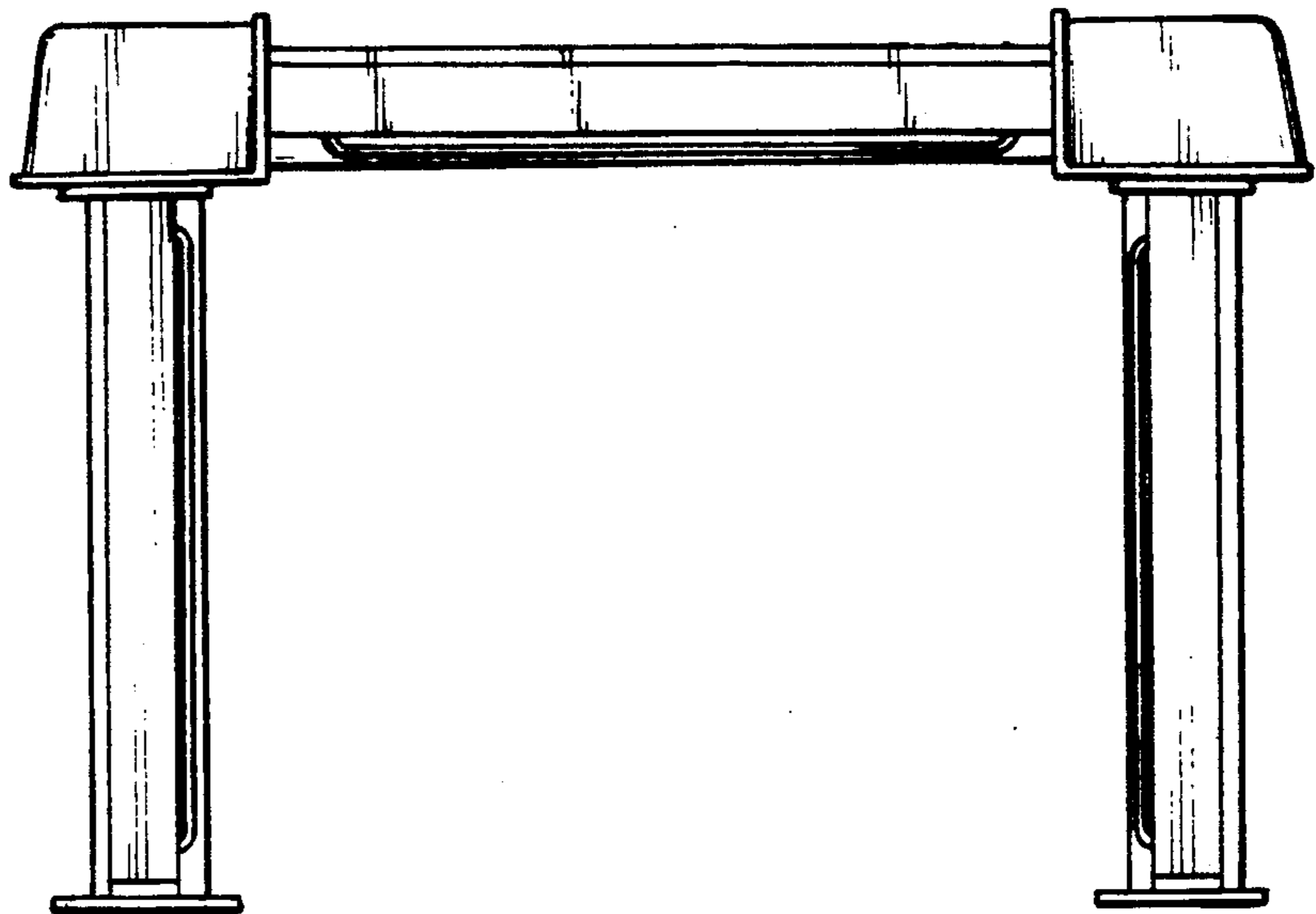


Fig-2

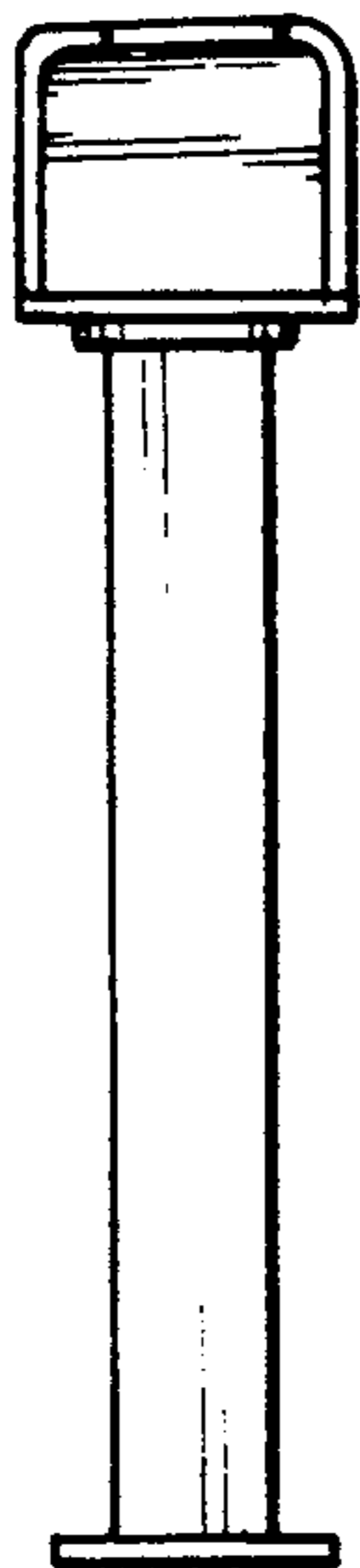


Fig-3

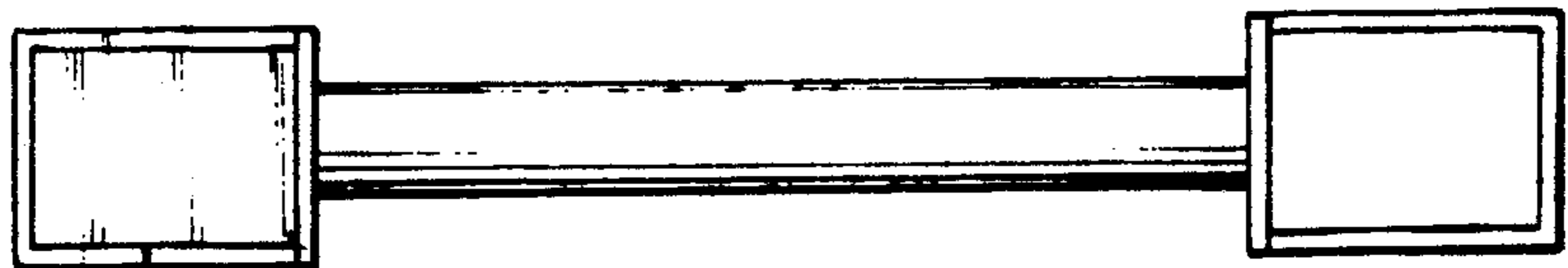


Fig-4

