



US00D327126S

United States Patent [19] Elie

[11] Patent Number: **Des. 327,126**

[45] Date of Patent: **** Jun. 16, 1992**

[54] **LENS CENTERING INSTRUMENT**
[75] Inventor: **Francois Elie, Paris, France**
[73] Assignee: **Essilor International (Compagnie Generale D'Optique), Creteil, France**

2,807,982 10/1957 McLeod 356/127
4,798,459 1/1989 Joncour 356/127

[**] Term: **14 Years**

[21] Appl. No.: **370,566**

[22] Filed: **Jun. 23, 1989**

[30] Foreign Application Priority Data
Jan. 13, 1989 [FR] France 890244

[52] U.S. Cl. **D24/172; D16/130; D16/227**

[58] Field of Search **D16/221, 225, 222, 227; D24/150, 172; 356/124, 125, 126, 127**

[56] **References Cited**

U.S. PATENT DOCUMENTS

D. 246,987 1/1978 Hawkins D24/172
D. 292,526 10/1987 Nakayama D24/172

OTHER PUBLICATIONS

House of Vision Instrument Co. Catalog, 1981 p. 112.

Primary Examiner—Theodore M. Shooman
Assistant Examiner—Adir Aronovich
Attorney, Agent, or Firm—Young & Thompson

[57] **CLAIM**

The ornamental design for a lens centering instrument, as shown.

DESCRIPTION

FIG. 1 is a front elevational view of a lens centering instrument showing my new design;
FIG. 2 is a left side elevational view thereof;
FIG. 3 is a right side elevational view thereof;
FIG. 4 is a rear elevational view thereof;
FIG. 5 is a top plan view thereof;
FIG. 6 is a bottom plan view thereof; and,
FIG. 7 is a front and side perspective view thereof.

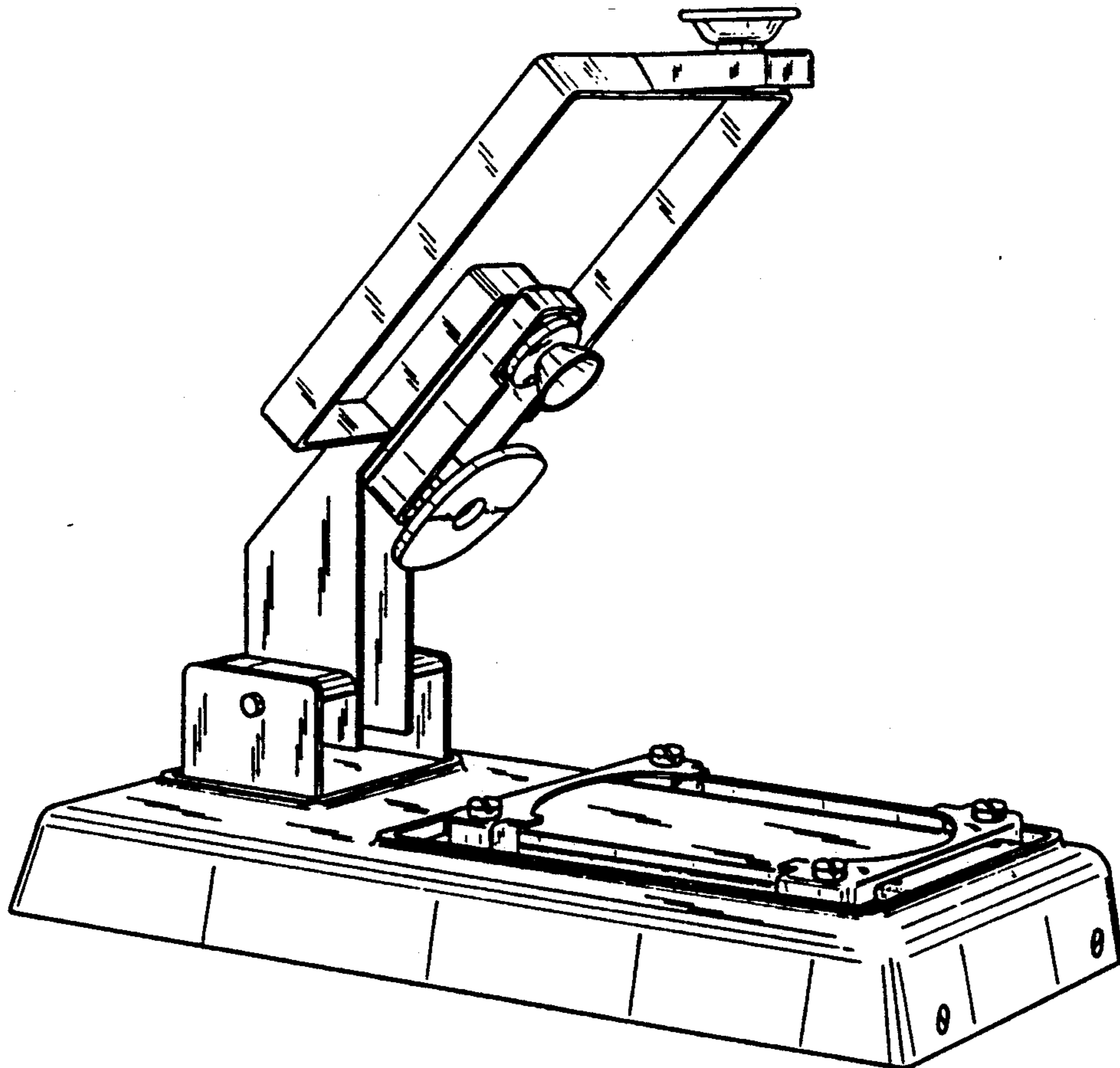


FIG. 2

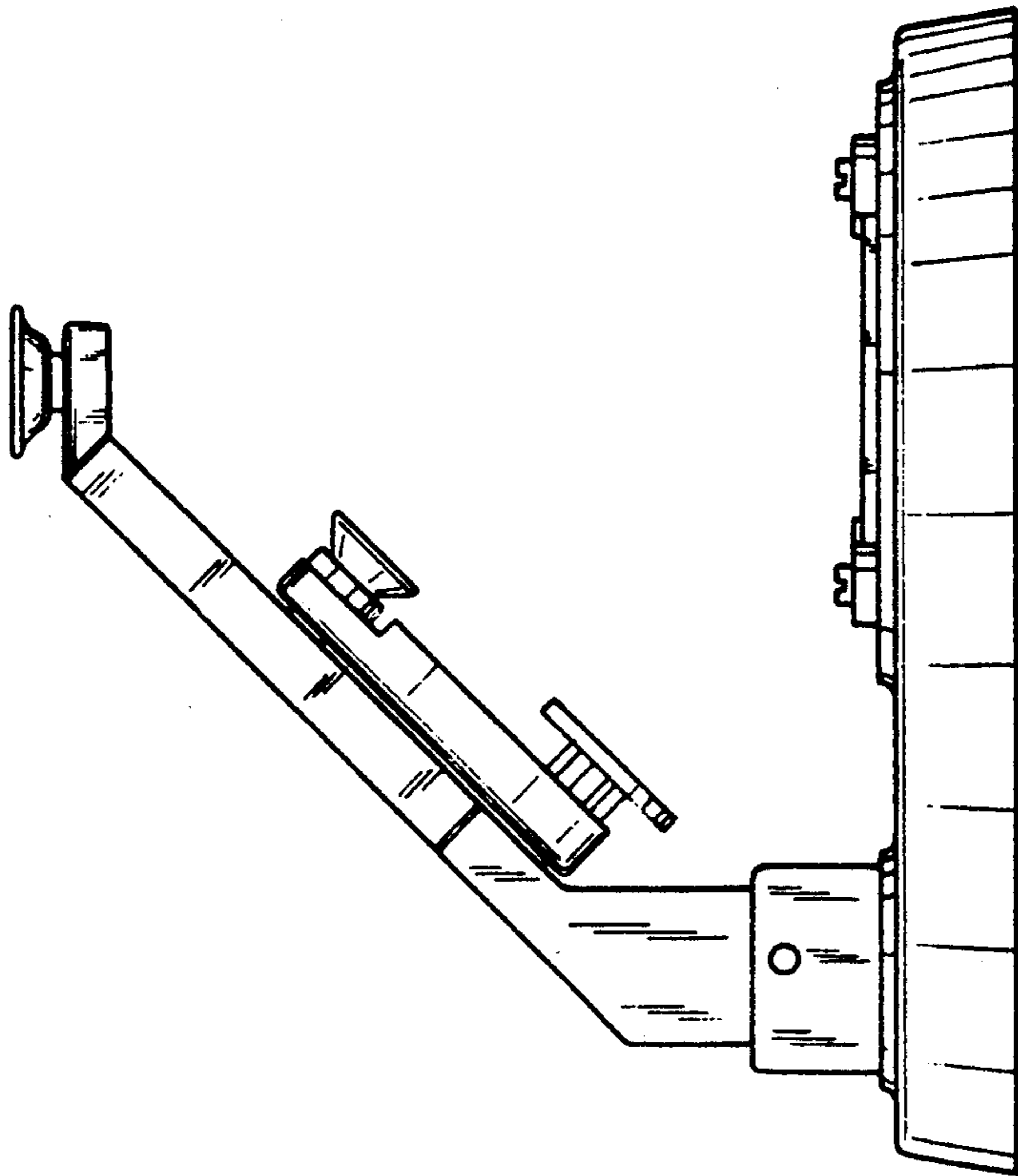


FIG. 1

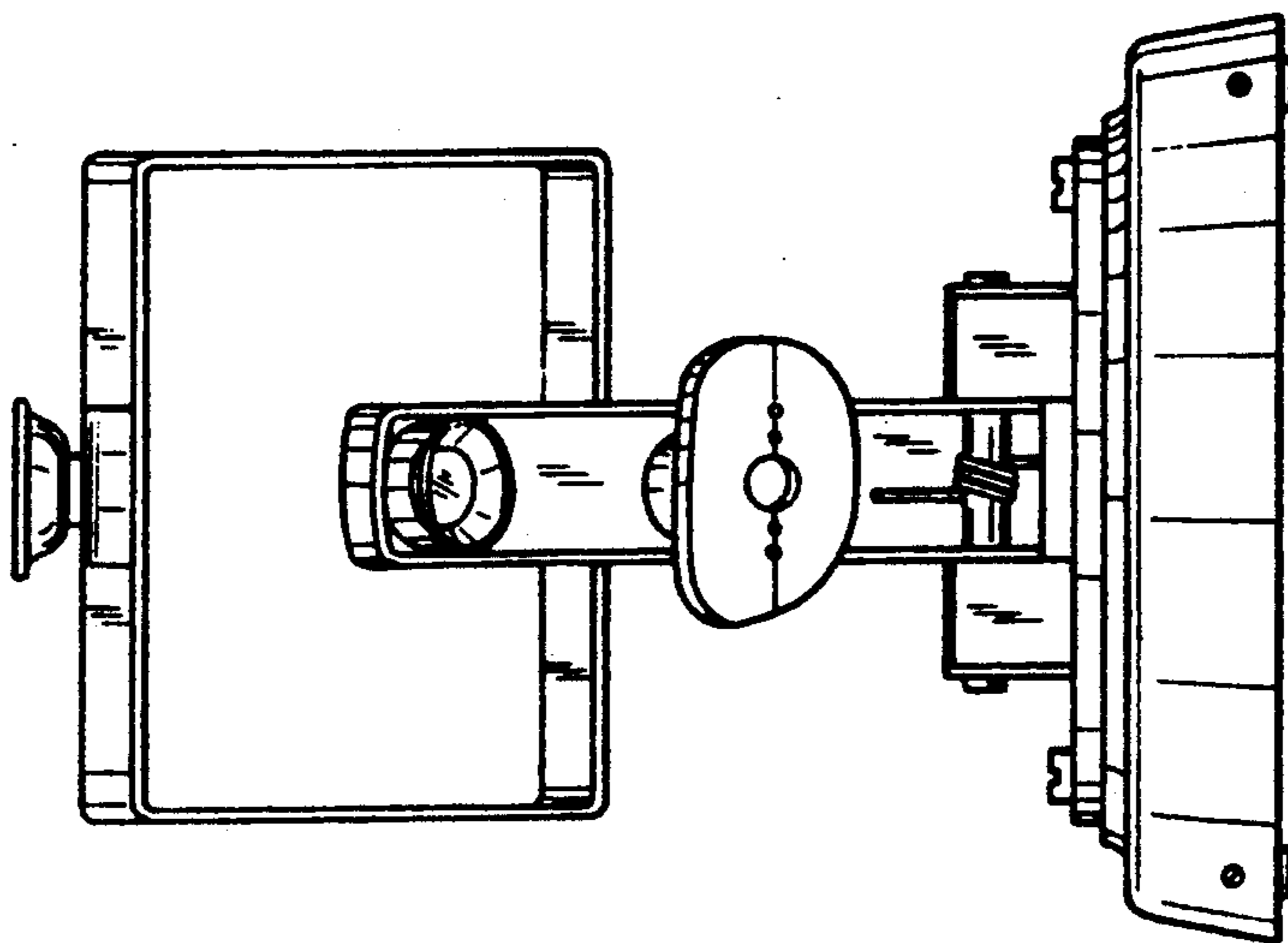


FIG. 4

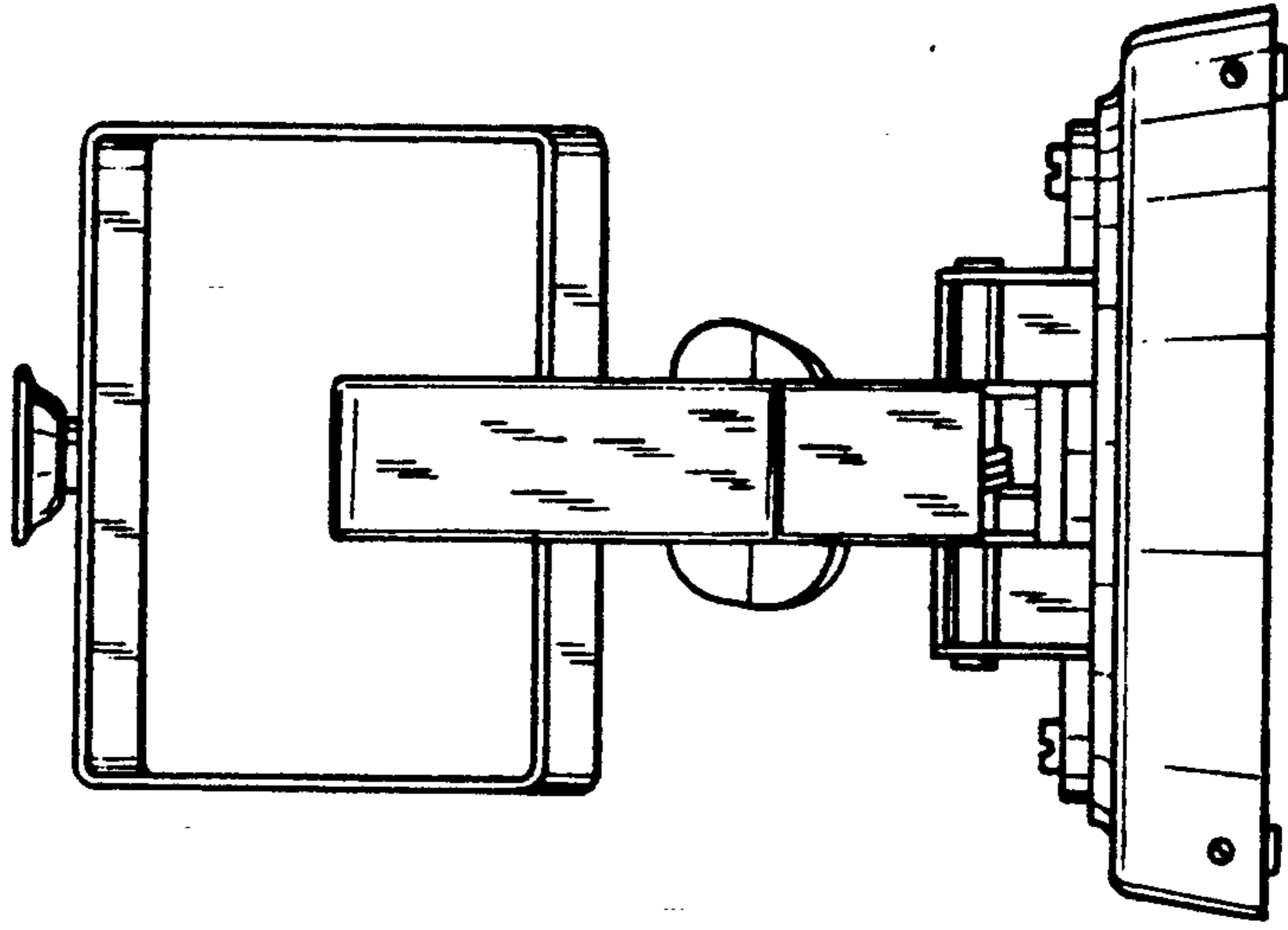


FIG. 3

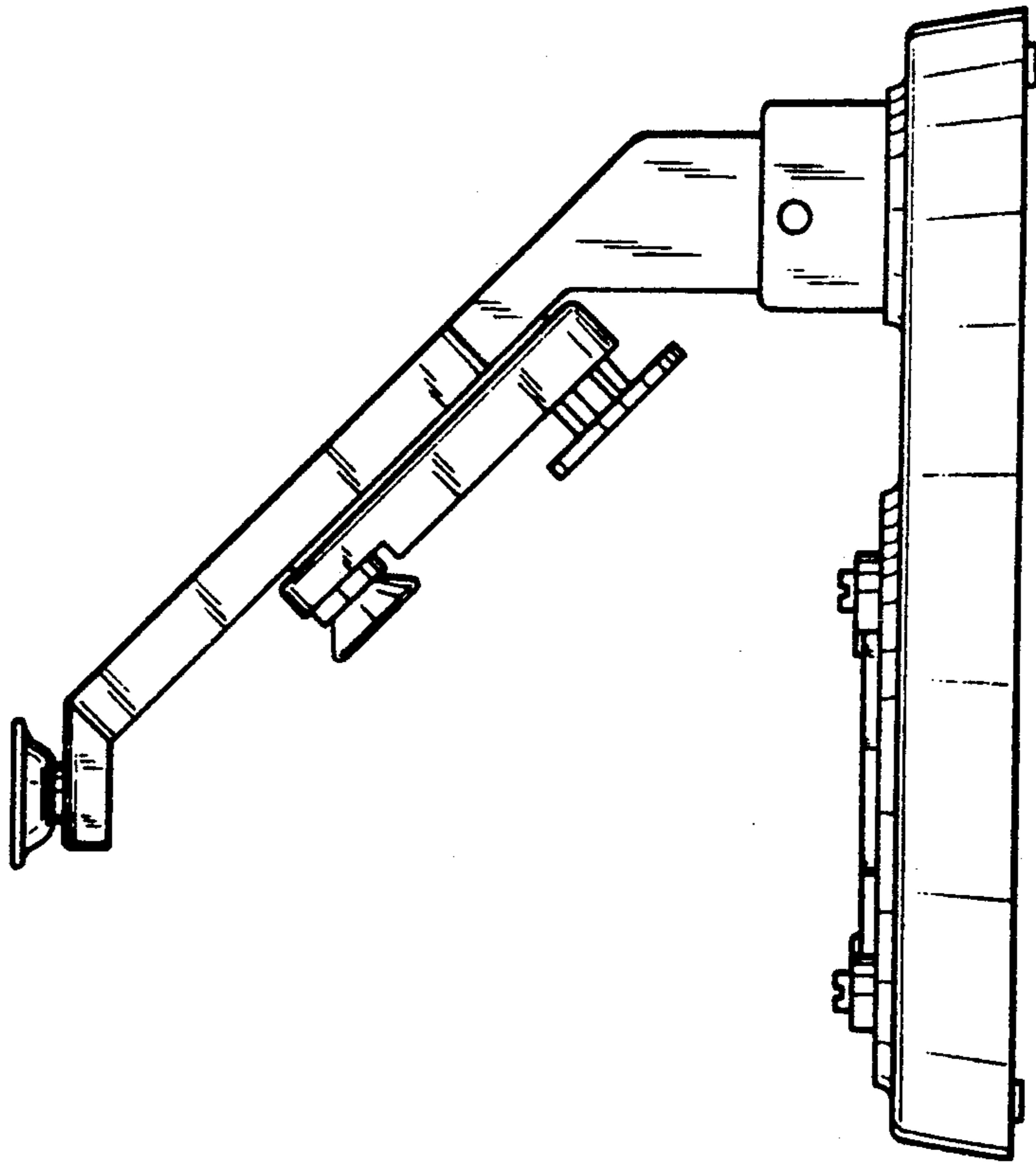


FIG. 6

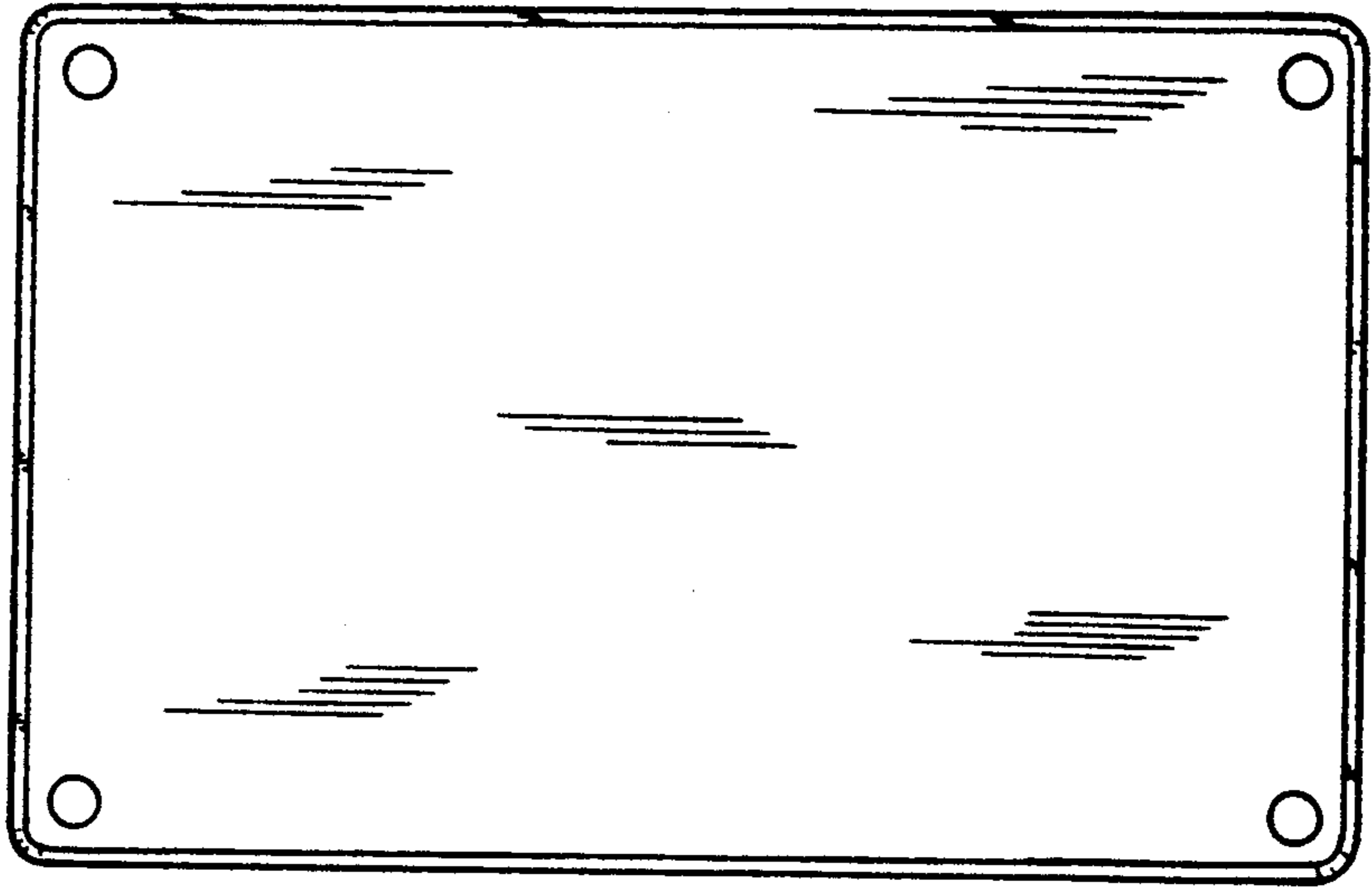


FIG. 5

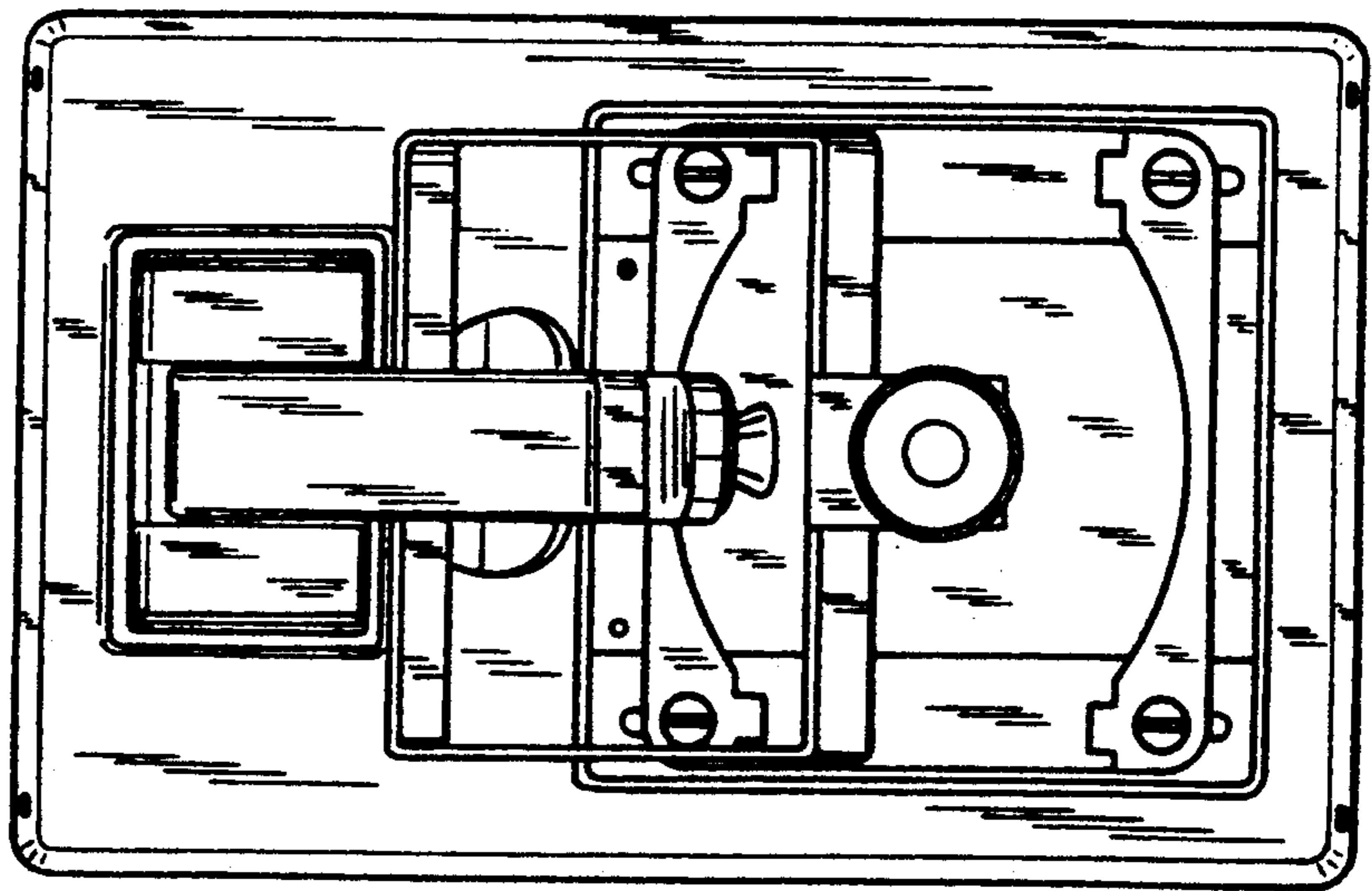


FIG. 7

