



US00D327122S

United States Patent [19]

[11] Patent Number: **Des. 327,122**

Holmgren

[45] Date of Patent: **** Jun. 16, 1992**

[54] **ARTICULATED EXHAUSTING ARM UNIT**

2046858 11/1980 United Kingdom 98/115.4

[75] Inventor: **Ambjörn Holmgren, Lycksele, Sweden**

OTHER PUBLICATIONS

Nederman Inc. Adv. Brochure, p. 1, Fume Extractor.

[73] Assignee: **J.H. Products, Malmo, Sweden**

Primary Examiner—James M. Gandy

[**] Term: **14 Years**

Assistant Examiner—Lisa Lichtenstein

Attorney, Agent, or Firm—Dvorak & Traub

[21] Appl. No.: **309,714**

[57] CLAIM

[22] Filed: **Feb. 10, 1989**

The ornamental design for an articulated exhausting arm unit, as shown.

[52] U.S. Cl. **D23/371**

[58] Field of Search **D23/371; 98/115.4; 285/184**

DESCRIPTION

[56] References Cited

U.S. PATENT DOCUMENTS

3,818,817	6/1974	Nederman	98/115.4
4,158,462	6/1979	Coral	98/115.4
4,540,202	9/1985	Amphoux et al.	98/115.4
4,699,046	10/1987	Bellieni	98/115.4
4,860,644	8/1989	Kohl et al.	98/115.4

FIG. 1 is a top and right side perspective view of an articulated exhausting arm unit showing my new design;

FIG. 2 is an enlarged bottom perspective view of the hinge thereof, shown separately for clarity of illustration;

FIG. 3 is a bottom perspective view of FIG. 2 in an alternate position;

FIG. 4 is a top perspective view of FIG. 3;

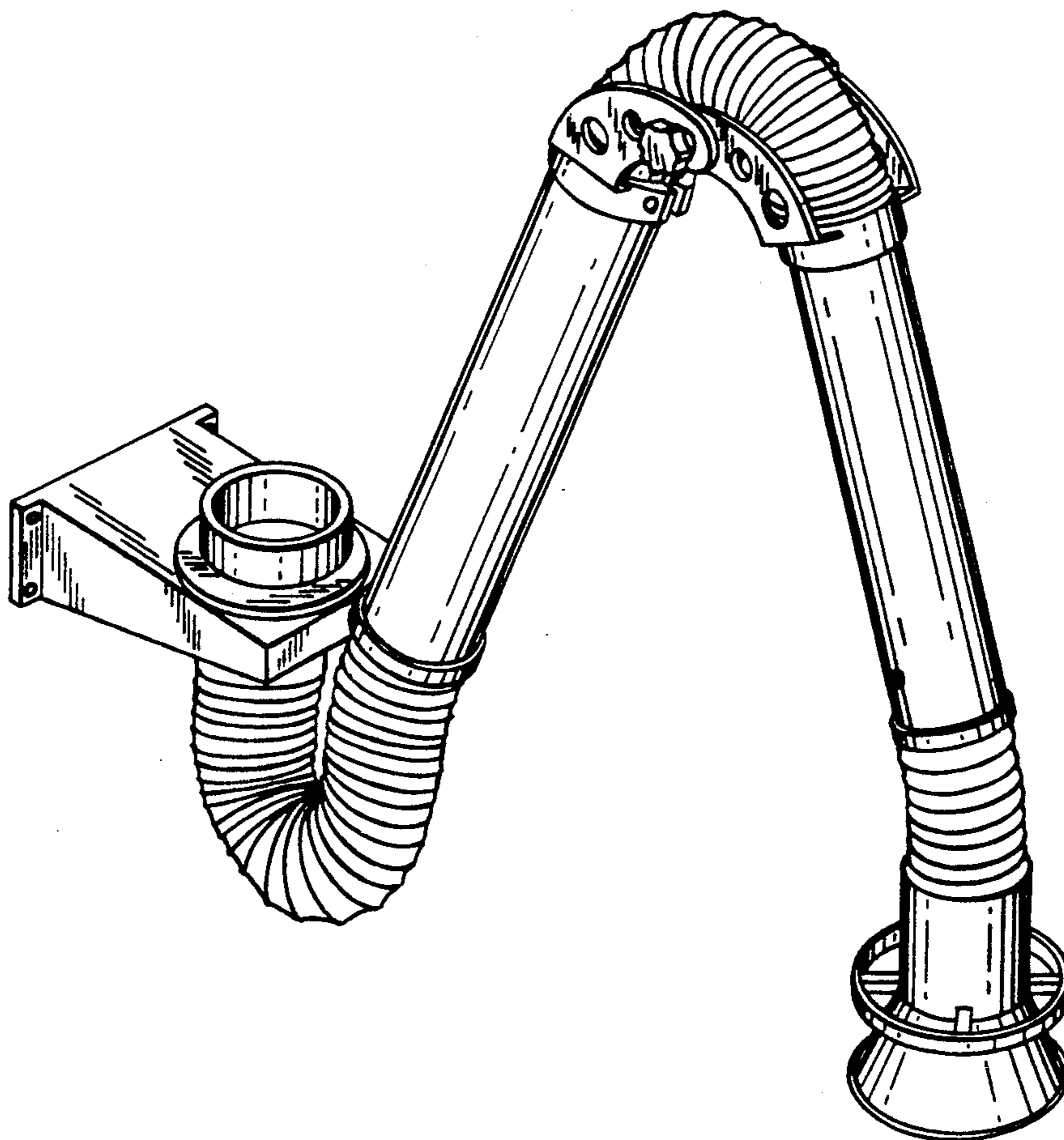
FIG. 5 is a left side elevation view thereof;

FIG. 6 is a bottom plan view thereof; and,

FIG. 7 is an enlarged rear elevation view thereof.

FOREIGN PATENT DOCUMENTS

2386738	11/1978	France	98/115.4
2525930	11/1983	France	98/115.4



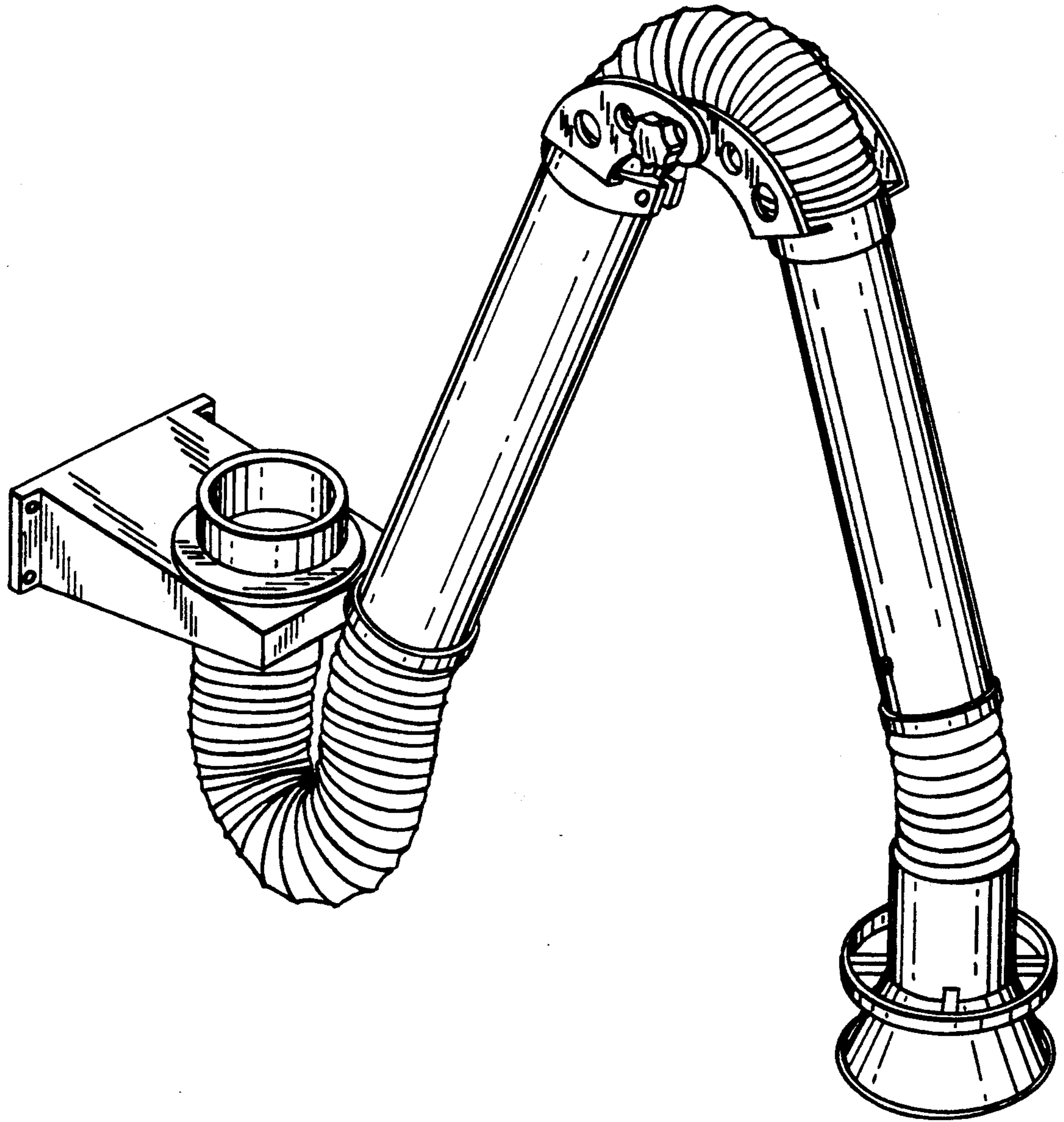


FIG. 1

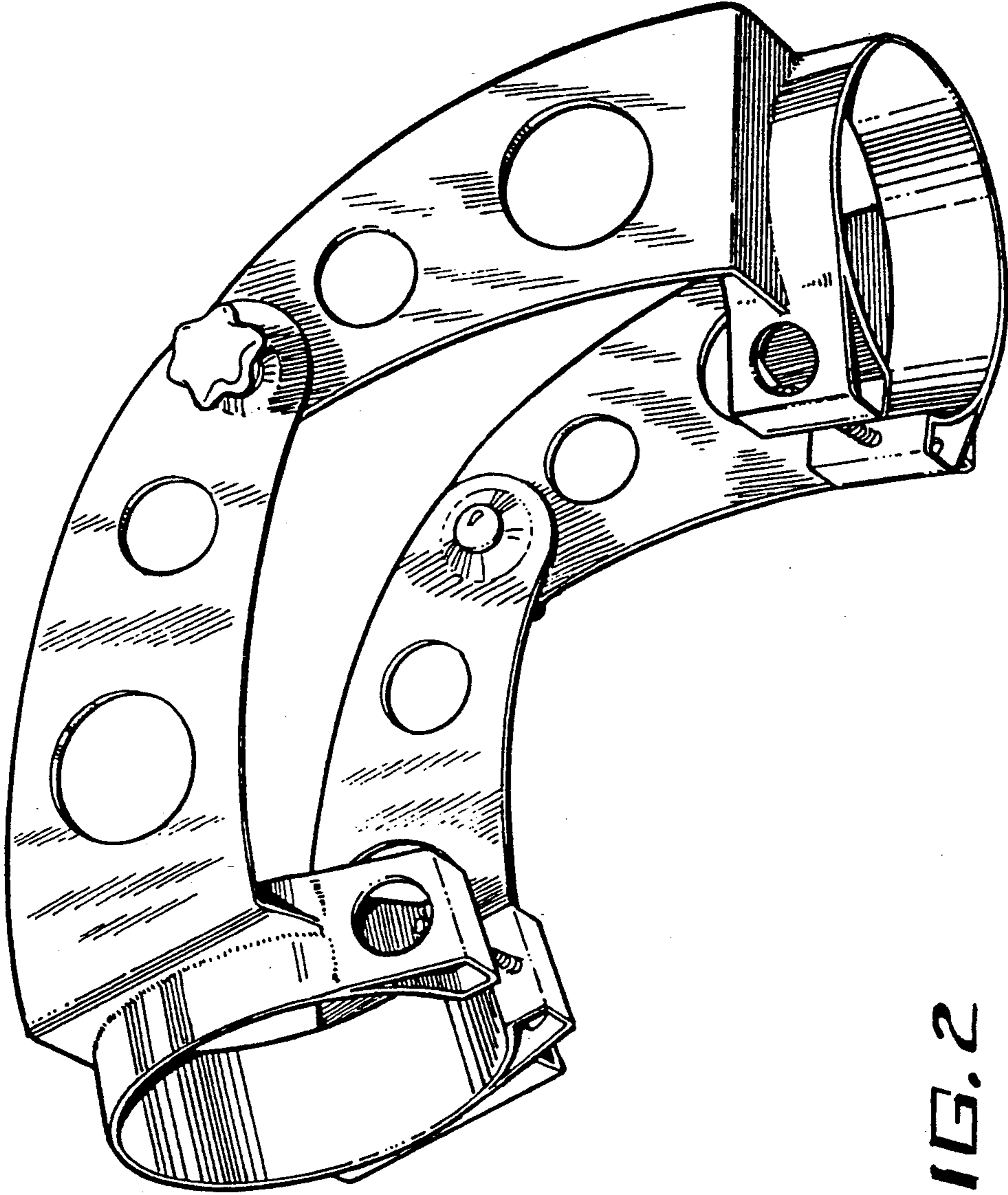


FIG. 2

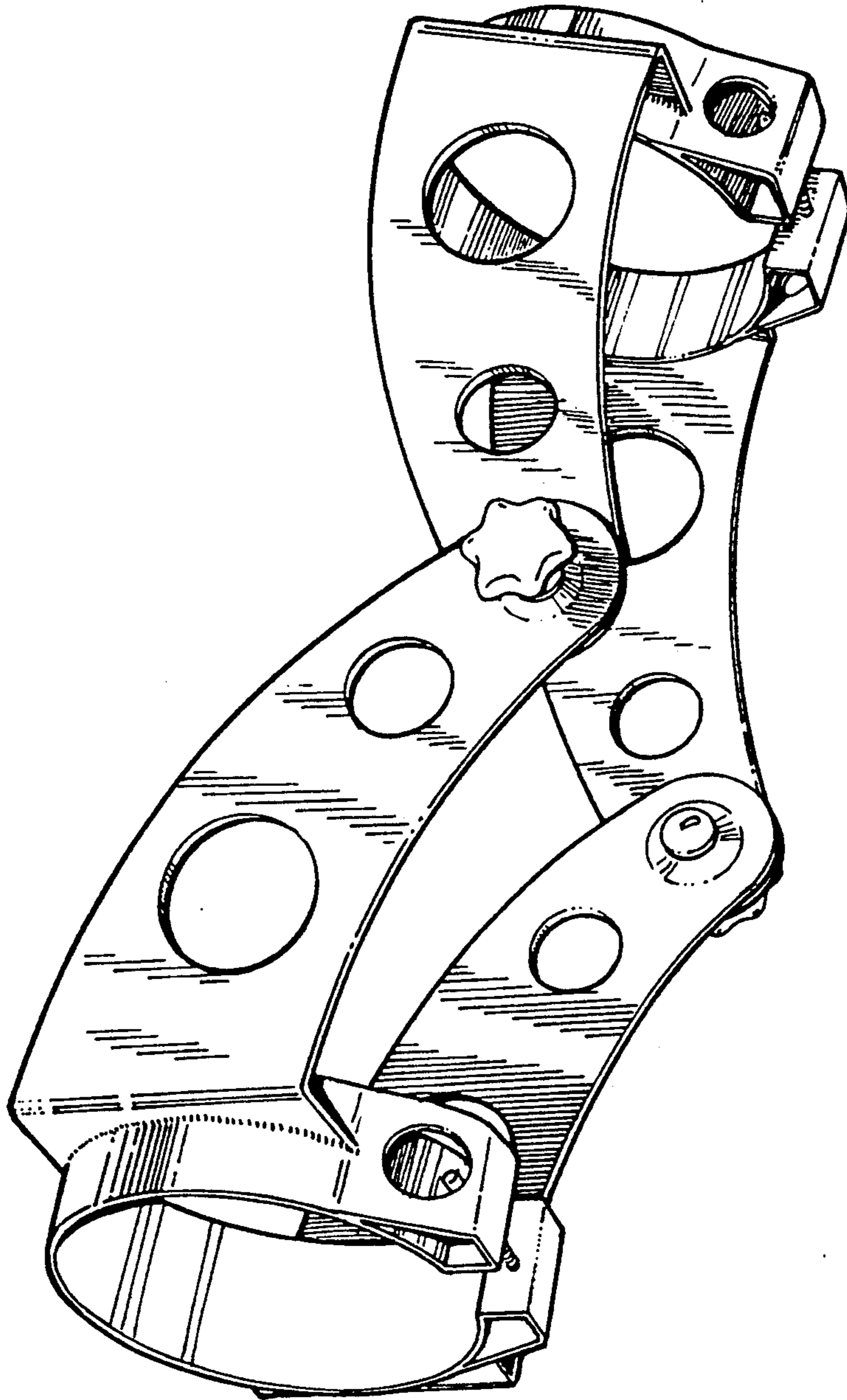


FIG. 3

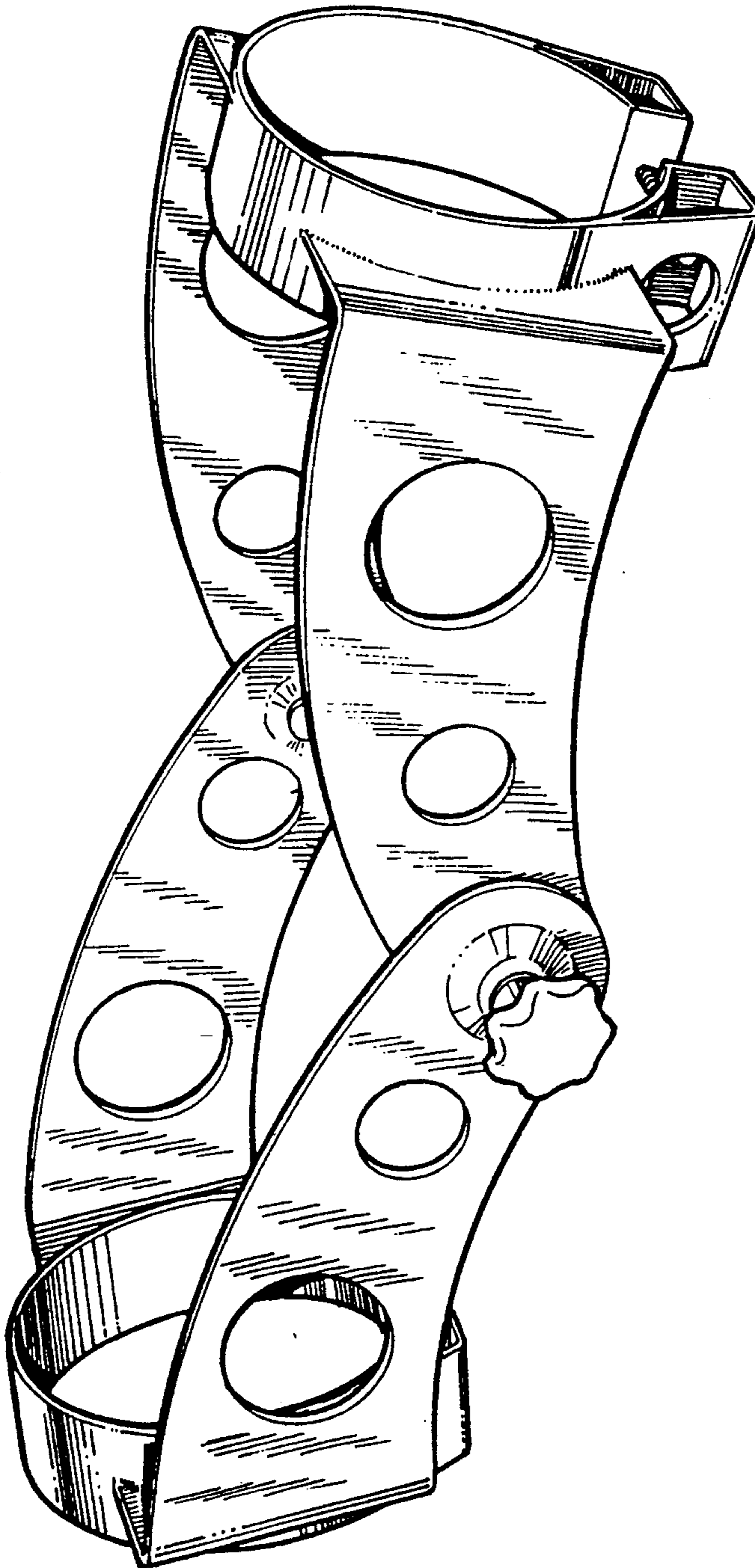


FIG. 4

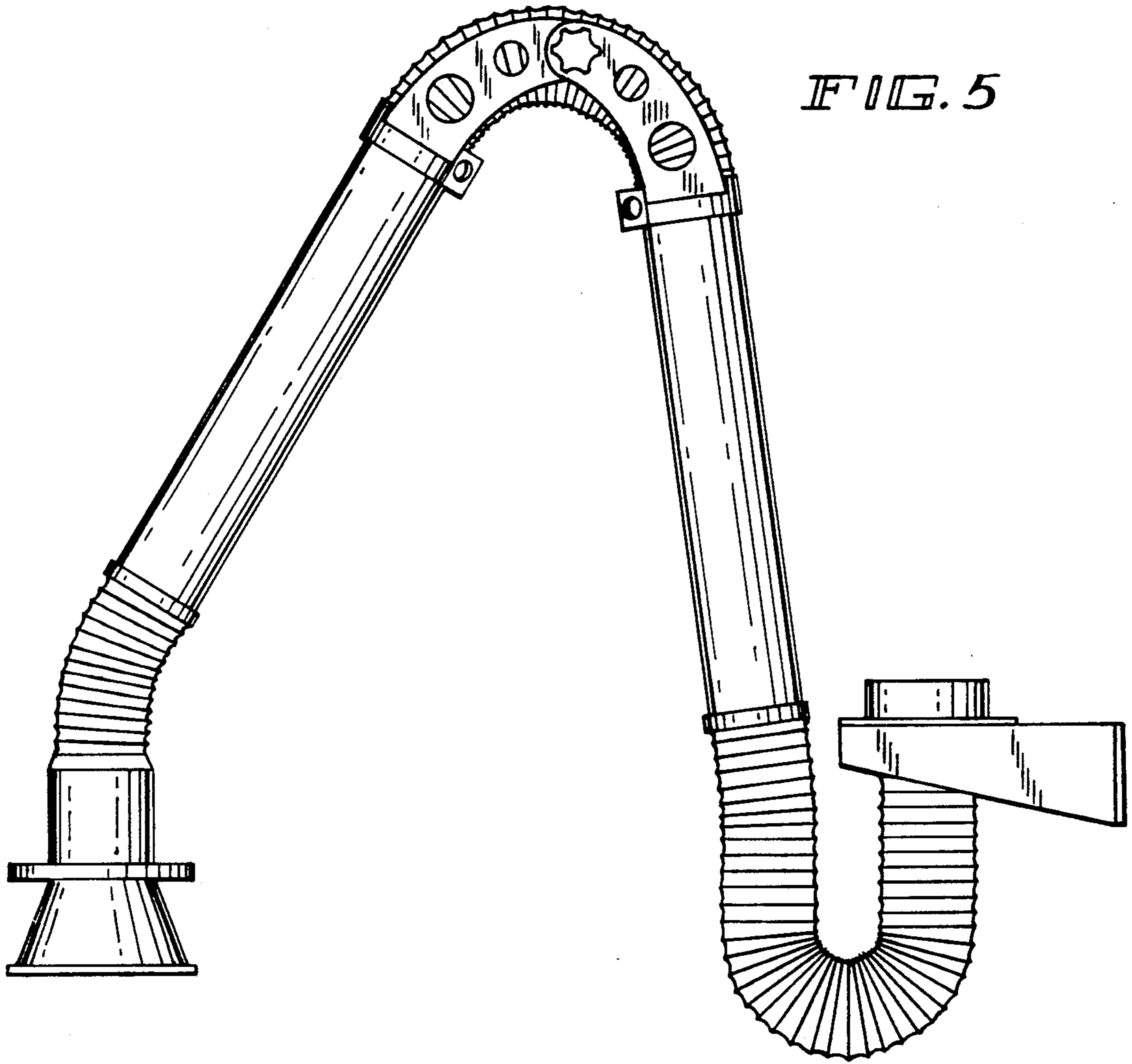


FIG. 5

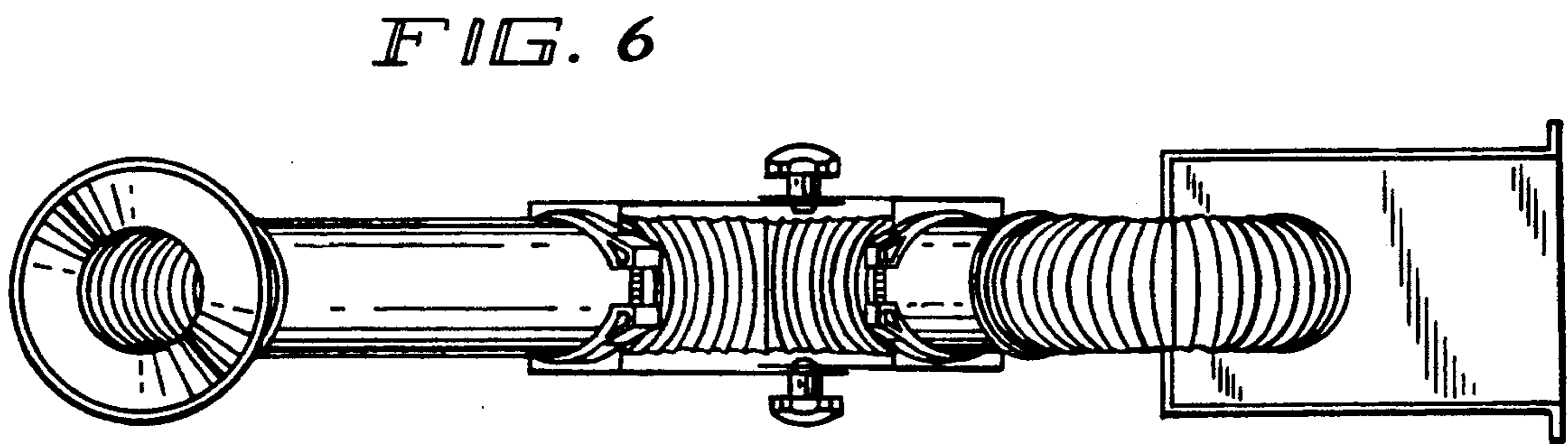


FIG. 6

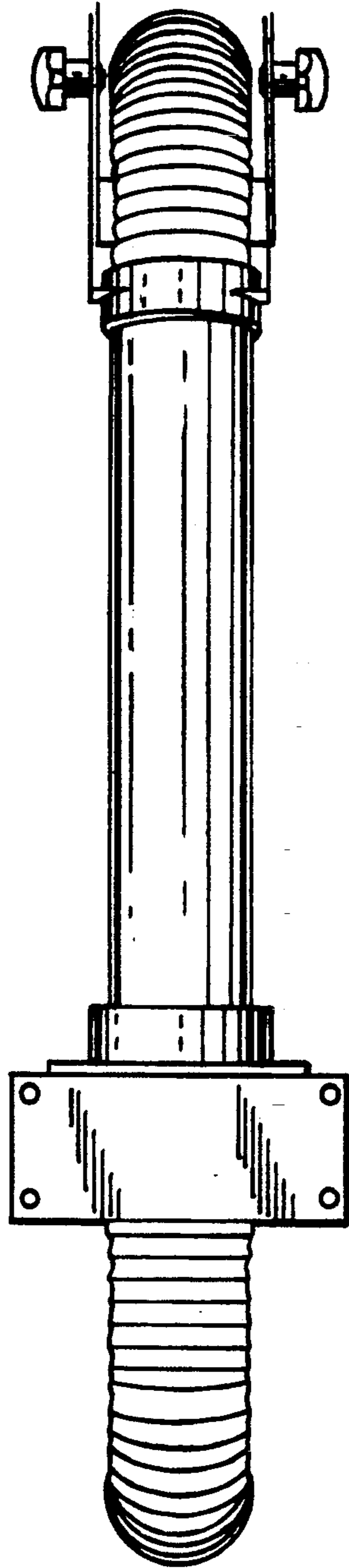


FIG. 7