



US00D327120S

United States Patent [19]

[11] Patent Number: **Des. 327,120**

Ambrosi

[45] Date of Patent: *** Jun. 16, 1992**

[54] **HOSE COUPLING**

[75] Inventor: **Martin J. Ambrosi, Herbrechtingen, Fed. Rep. of Germany**

[73] Assignee: **Max Widenmann Armaturenfabrik, Giengen/Brenz, Fed. Rep. of Germany**

[*] Notice: The portion of the term of this patent subsequent to Jan. 16, 2007 has been disclaimed.

[**] Term: **14 Years**

[21] Appl. No.: **235,631**

[22] Filed: **Aug. 23, 1988**

[52] U.S. Cl. **D23/262**

[58] Field of Search **D23/259-269; 285/243, 252, 253**

[56] **References Cited**

U.S. PATENT DOCUMENTS

D. 128,314	7/1941	Kelly	D23/262
D. 168,928	3/1953	English	D23/265
D. 246,855	1/1978	Treloar	D23/262
D. 247,182	2/1978	Ebert	D23/262

D. 263,992	4/1982	Ebert	D23/262
D. 265,418	7/1982	Chow et al.	D23/262
D. 312,498	11/1990	Ebert	D23/265
1,802,499	4/1931	Chapman	285/253
3,357,432	12/1967	Sparks	285/253 X
4,139,224	2/1979	Leach	285/253
4,758,029	7/1988	Davis	285/253

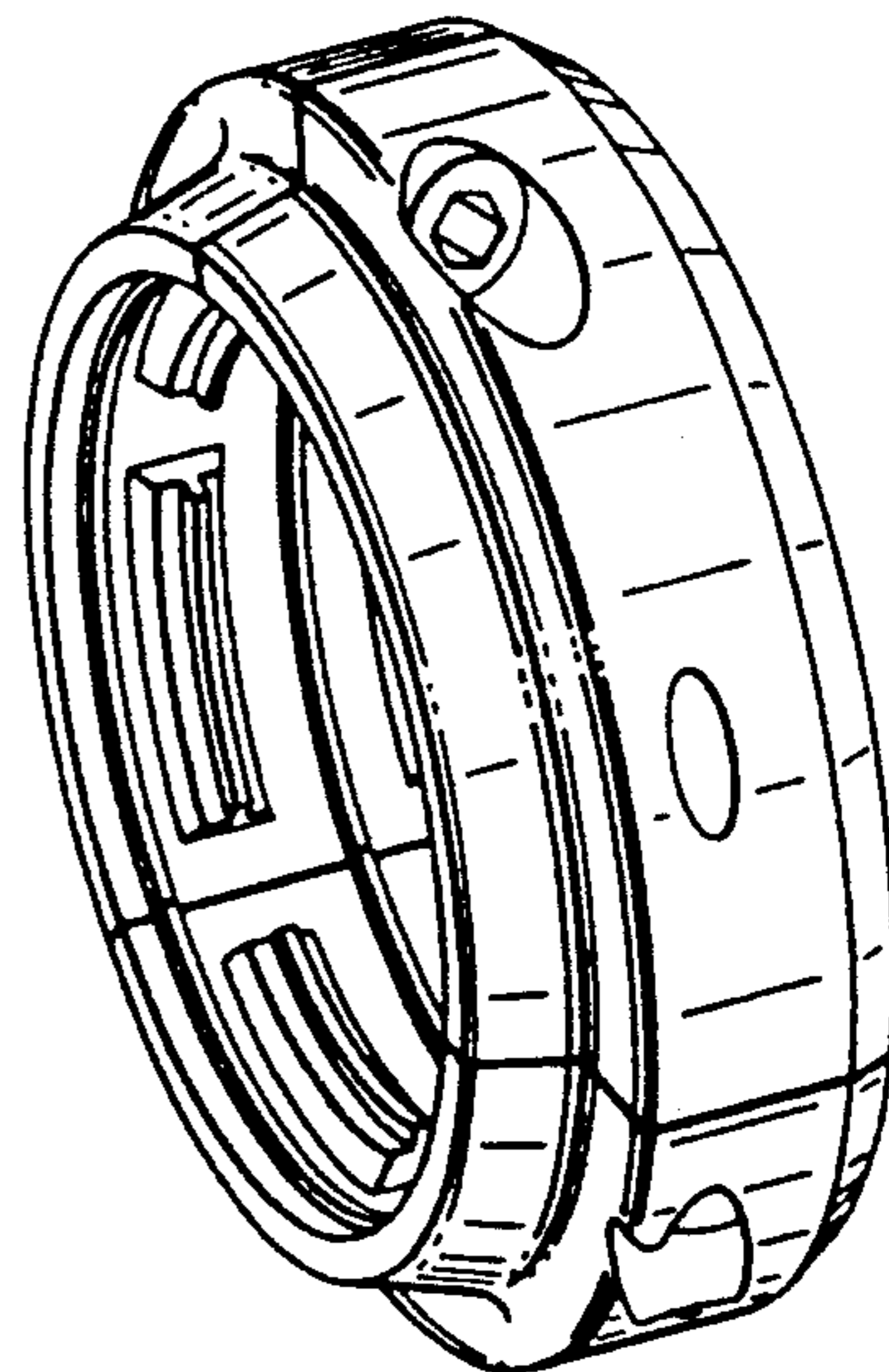
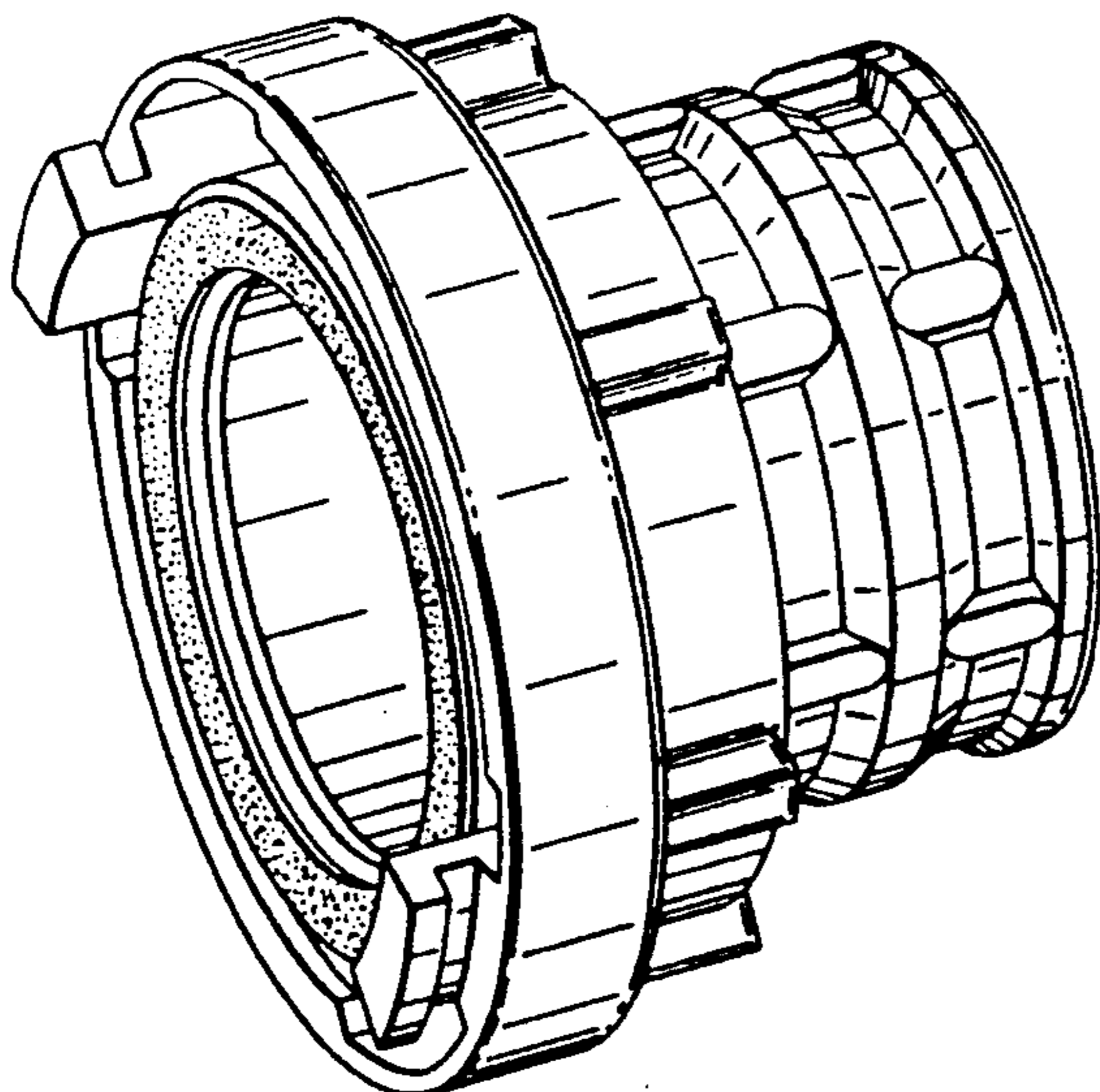
Primary Examiner—James R. Largen
Attorney, Agent, or Firm—Sixbey, Friedman, Leedom & Ferguson

[57] **CLAIM**

The ornamental design for a hose coupling, as shown and described.

DESCRIPTION

FIG. 1 is an exploded perspective view of a hose coupling showing my new design;
FIG. 2 is a side elevational view of the nipple portion thereof, the opposite sides being the same as the side shown;
FIG. 3 is a rear elevational view of FIG. 2;
FIG. 4 is a side elevational view of the clamping ring portion thereof;
FIG. 5 is a front elevational view of FIG. 4; and,
FIG. 6 is a rear view of the clamping ring portion.



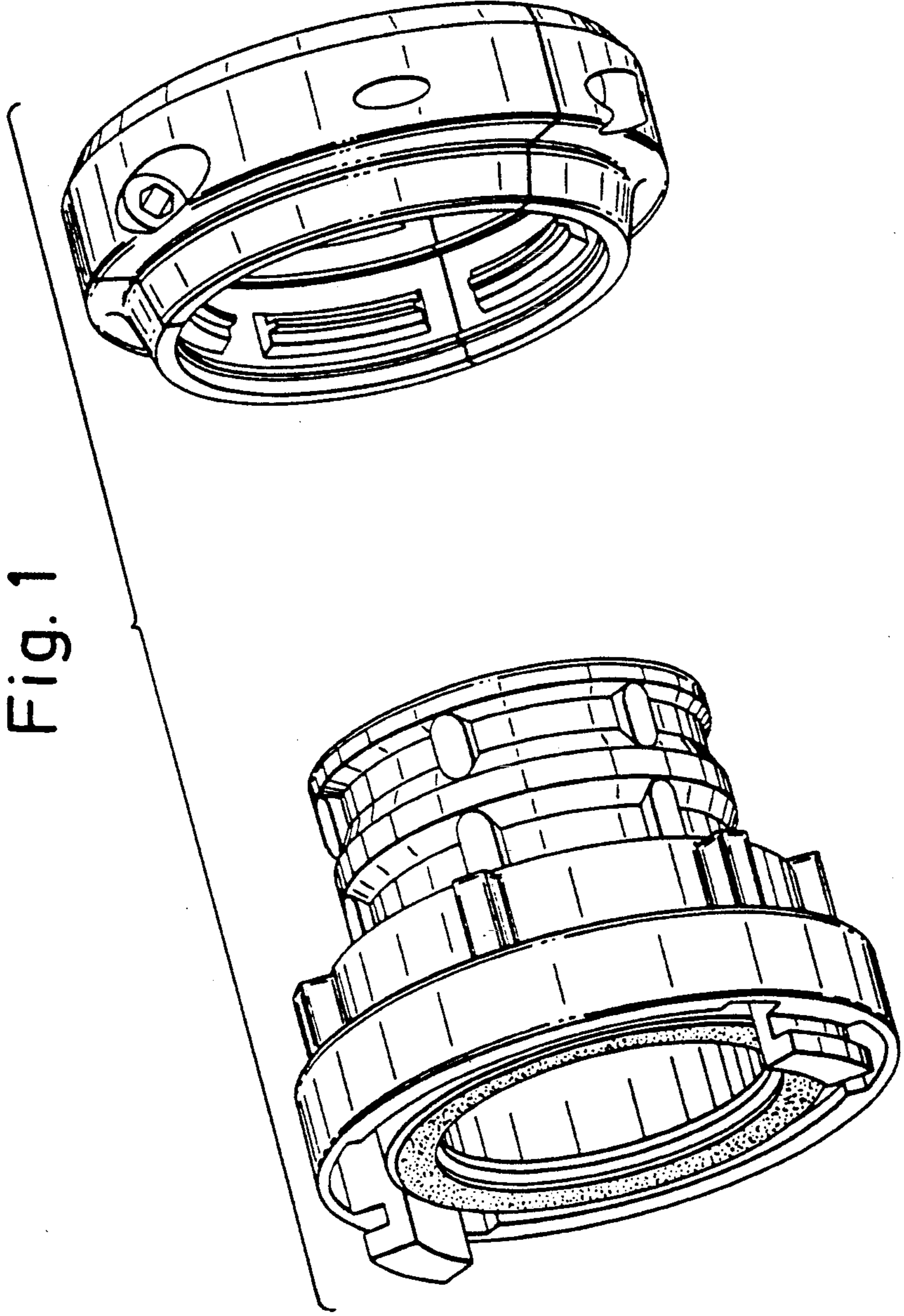


Fig. 1

Fig. 3

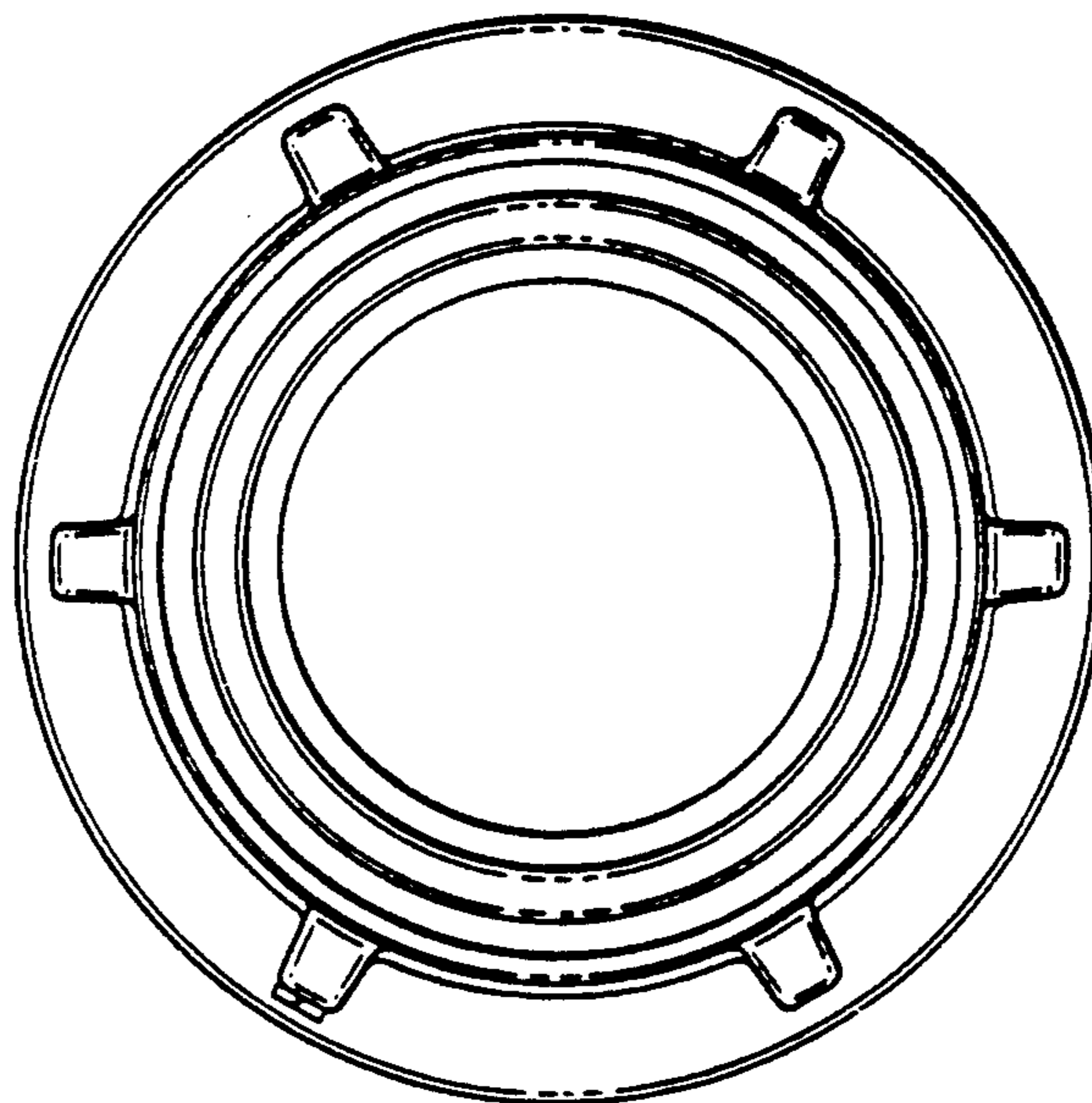


Fig. 2

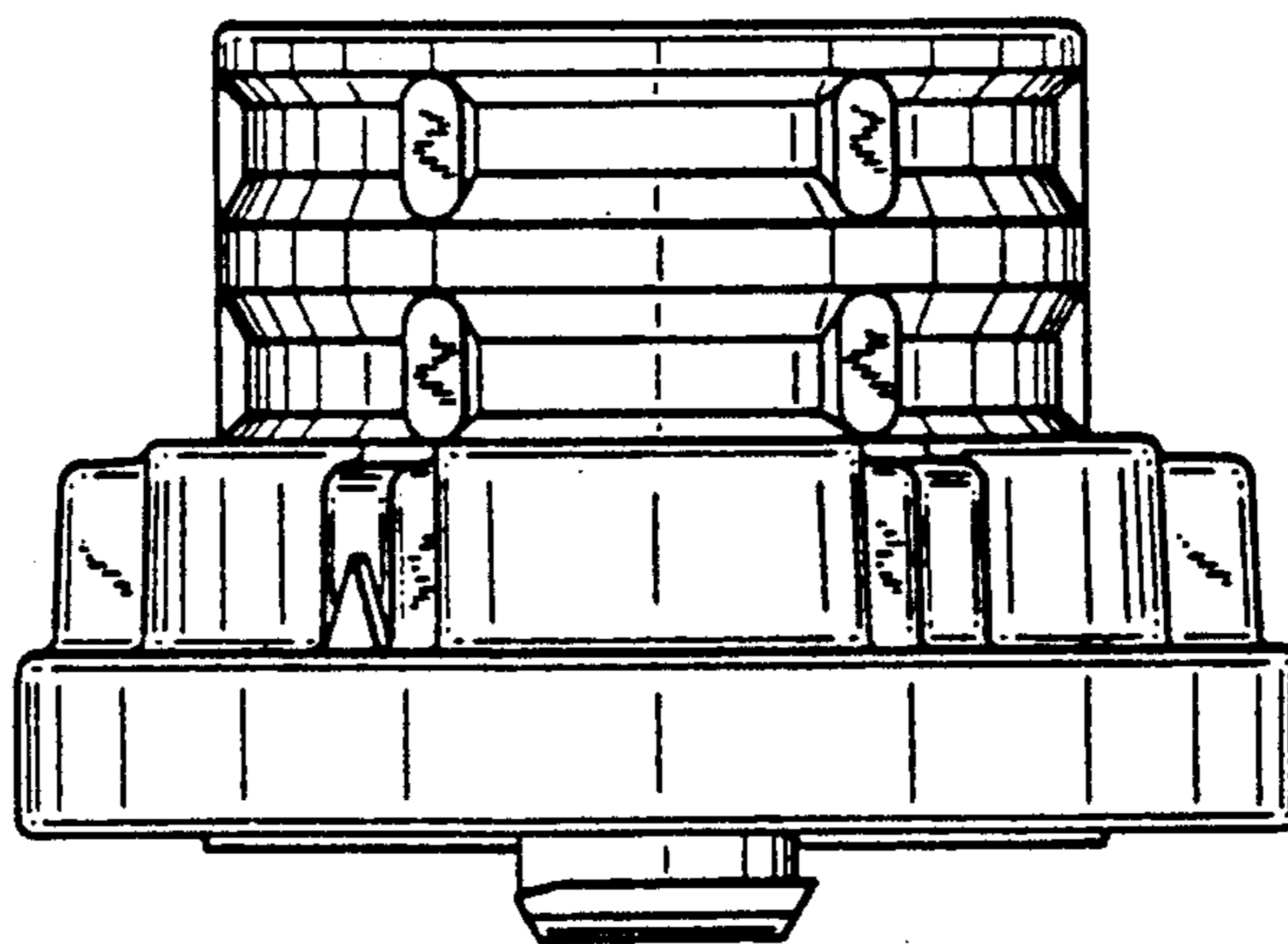


Fig. 5

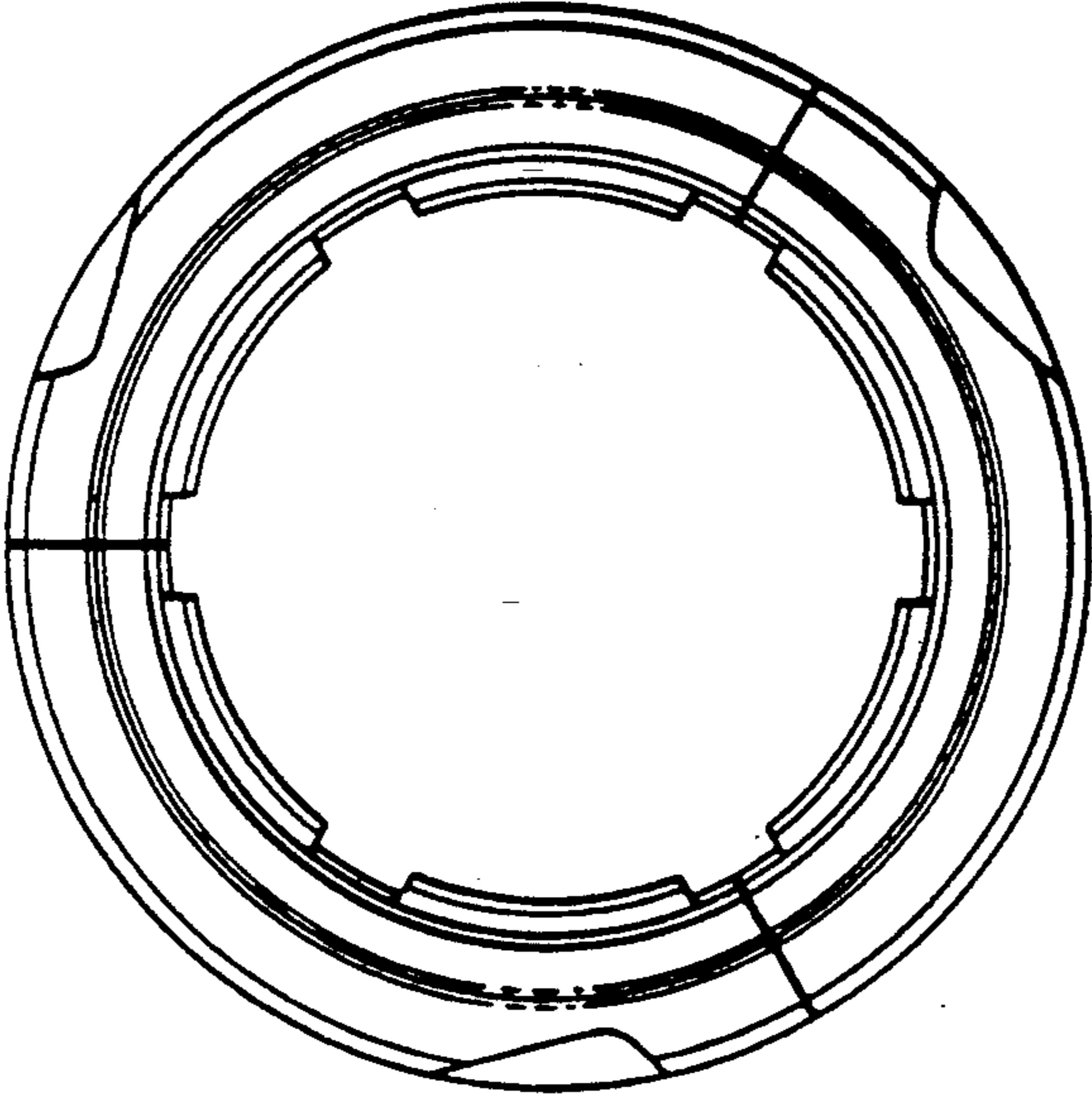


Fig. 4

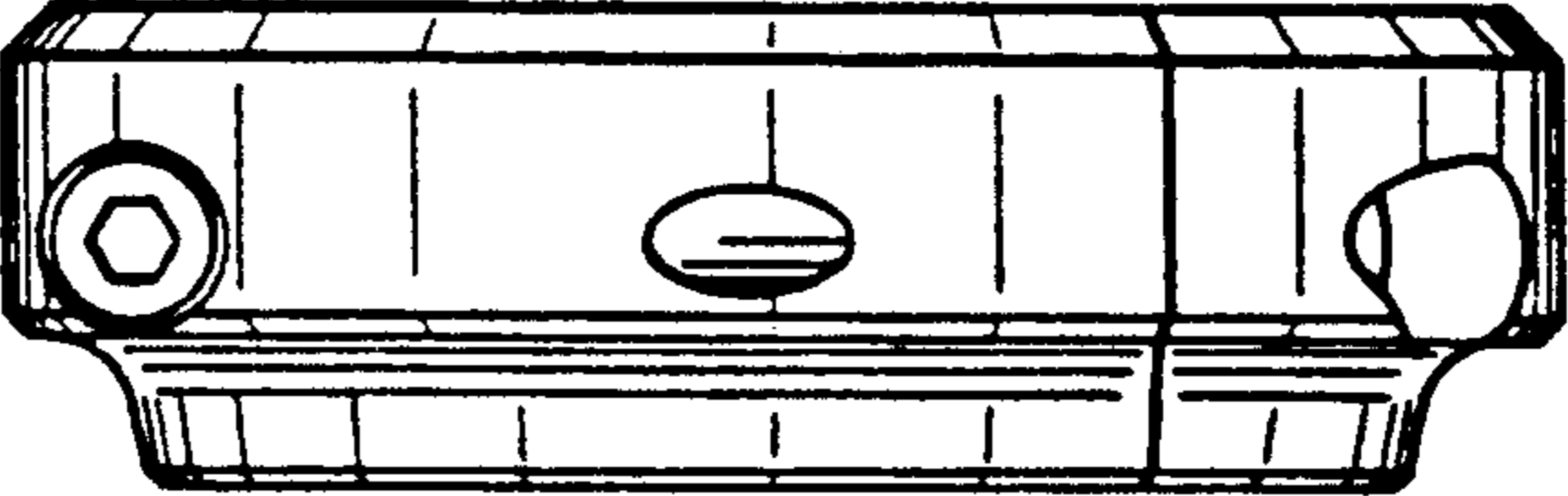


FIG.6

