



US00D327119S

United States Patent [19]

[11] Patent Number: **Des. 327,119**

Kohler, Jr.

[45] Date of Patent: **** Jun. 16, 1992**

[54] **PLUMBING FITTING HANDLE OR THE LIKE**

[75] Inventor: **Herbert V. Kohler, Jr., Kohler, Wis.**

[73] Assignee: **Jacob Delafon, Paris, France**

[*] Notice: The portion of the term of this patent subsequent to May 12, 2006 has been disclaimed.

[**] Term: **14 Years**

[21] Appl. No.: **432,273**

[22] Filed: **Nov. 6, 1989**

[52] U.S. Cl. **D23/252**

[58] Field of Search **D23/238-243, D23/250-254; D8/300, 307-312; 4/191, 192; 16/118, 121; 137/801**

A Hansa advertisement for the "Star-Bicolor" handle, undated.

A Wico advertisement, untitled, showing a loop handle, undated.

A Newform advertisement for the "Pagoda" handle, undated.

A Daxima advertisement showing various loop type handles, undated.

A Friedrich Grohe advertisement for the 33,000 Series handles, undated.

A Rapetti advertisement showing the "Diva" line of fittings, undated.

Primary Examiner—James R. Largen
Attorney, Agent, or Firm—Quarles & Brady

[57] CLAIM

The ornamental design for a plumbing fitting handle or the like, as shown and described.

DESCRIPTION

FIG. 1 is a perspective view taken from the top, front and left side of a plumbing fitting handle or the like showing my new design;

FIG. 2 is another perspective view taken from the front and left side thereof;

FIG. 3 is a left side elevational view thereof, the right side being a mirror image of the left side;

FIG. 4 is a front elevational view thereof;

FIG. 5 is a rear elevational view thereof;

FIG. 6 is a top plan view thereof;

FIG. 7 is a bottom plan view thereof;

FIG. 8 is a cross-sectional view taken on line 8—8 of FIG. 6;

FIG. 9 is an enlarged cross-sectional view taken on line 9—9 of FIG. 7; and,

FIG. 10 is a perspective view taken from the front and left side of a second embodiment thereof.

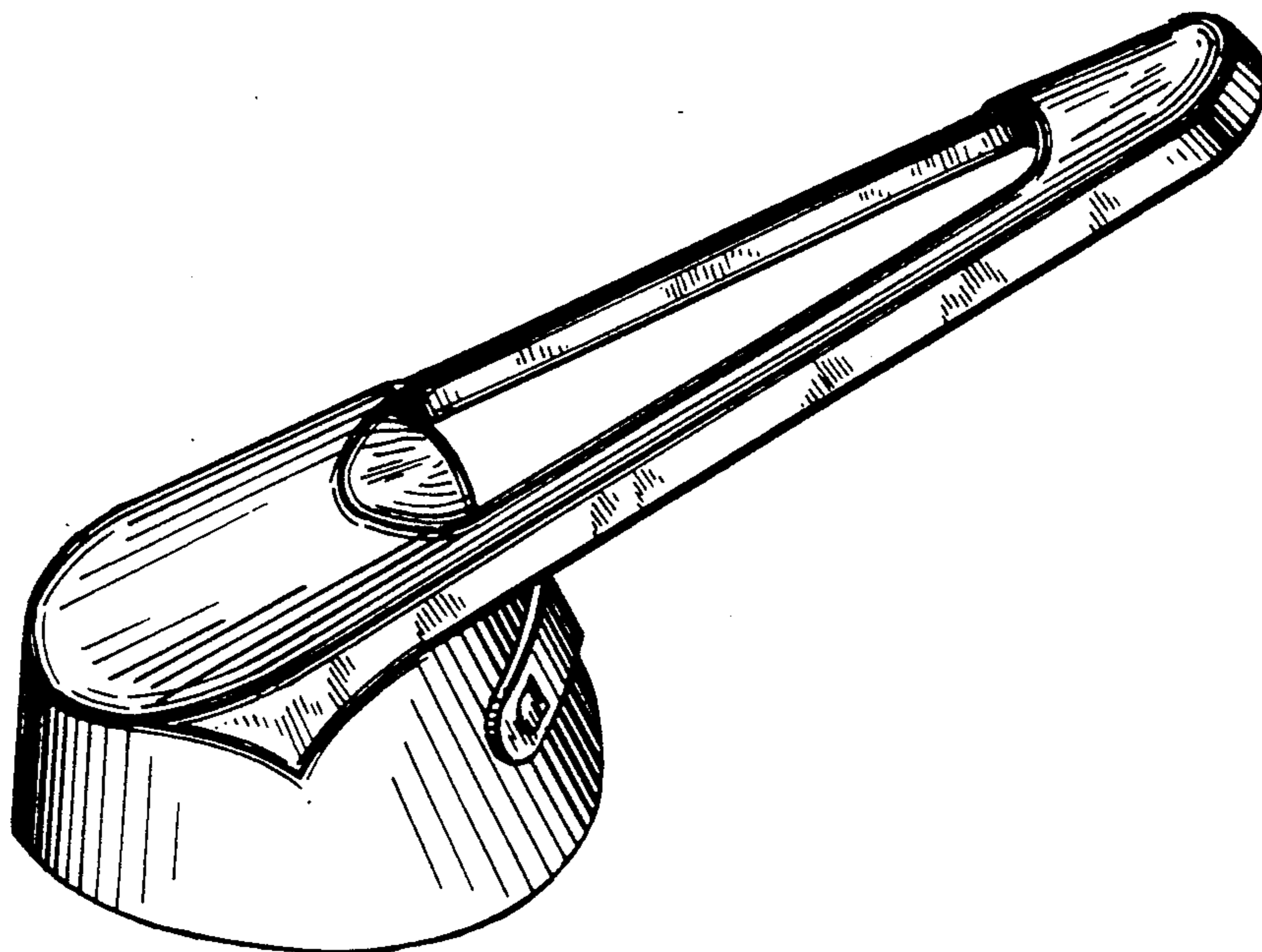
[56] References Cited

U.S. PATENT DOCUMENTS

D. 187,909	5/1960	Gonas et al.	D8/308
D. 219,739	1/1971	Niemann	D23/238
D. 219,779	1/1971	Tiller	D23/238
D. 219,780	1/1971	Niemann	D23/238
D. 223,913	6/1972	Niemann	D23/252
D. 227,465	6/1973	Genaro	D23/238
D. 254,088	1/1980	Haug	D23/252
D. 291,238	8/1987	Haug et al.	D23/252
D. 297,257	8/1988	Kohler, Jr. et al.	D23/252
D. 297,357	8/1988	Spangler	D23/252
4,525,894	7/1985	Knapp	16/111 R

OTHER PUBLICATIONS

An Ideal-Standard advertisement for the "Einhebelmischer" handle line, undated.



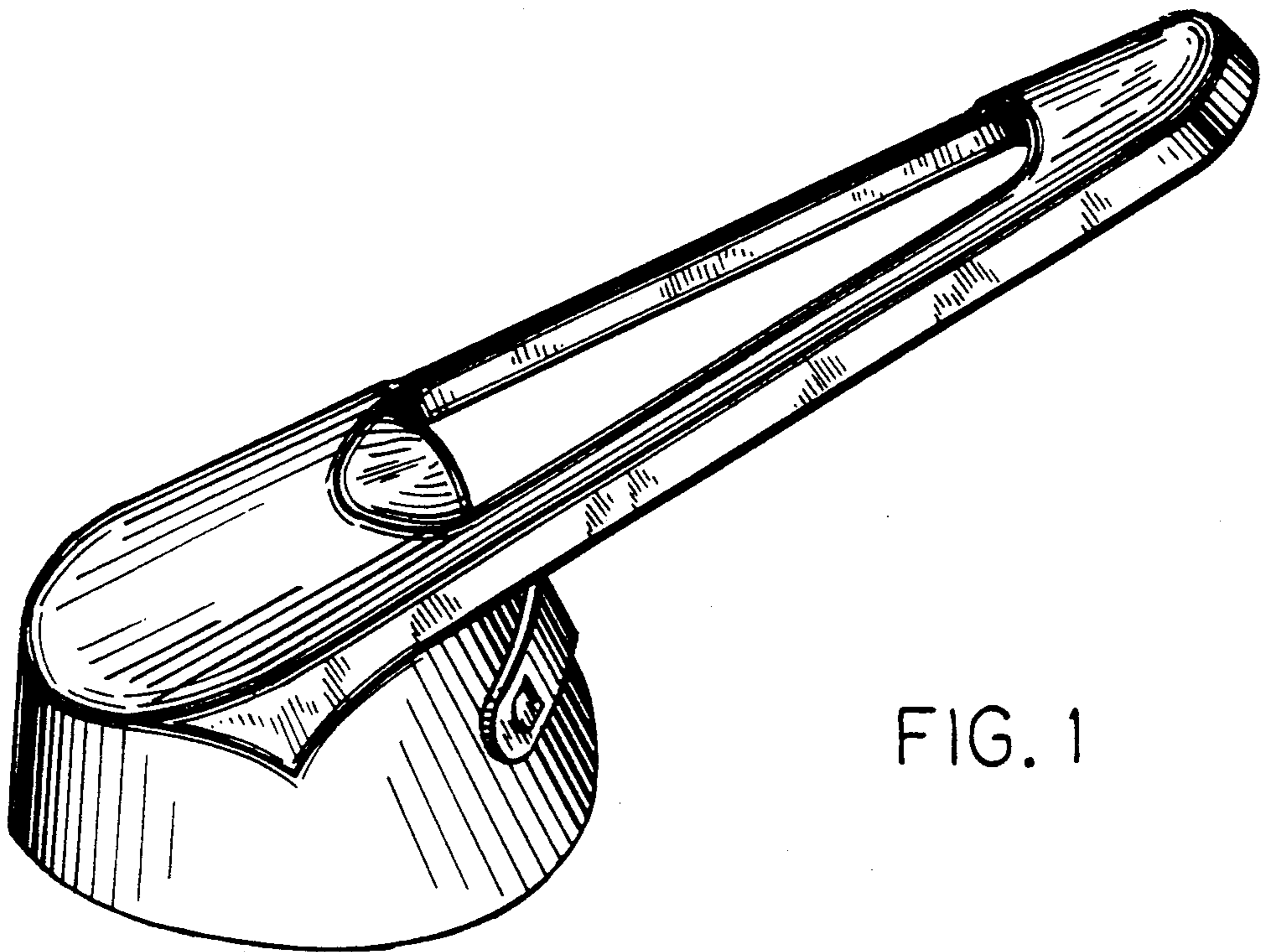


FIG. 1

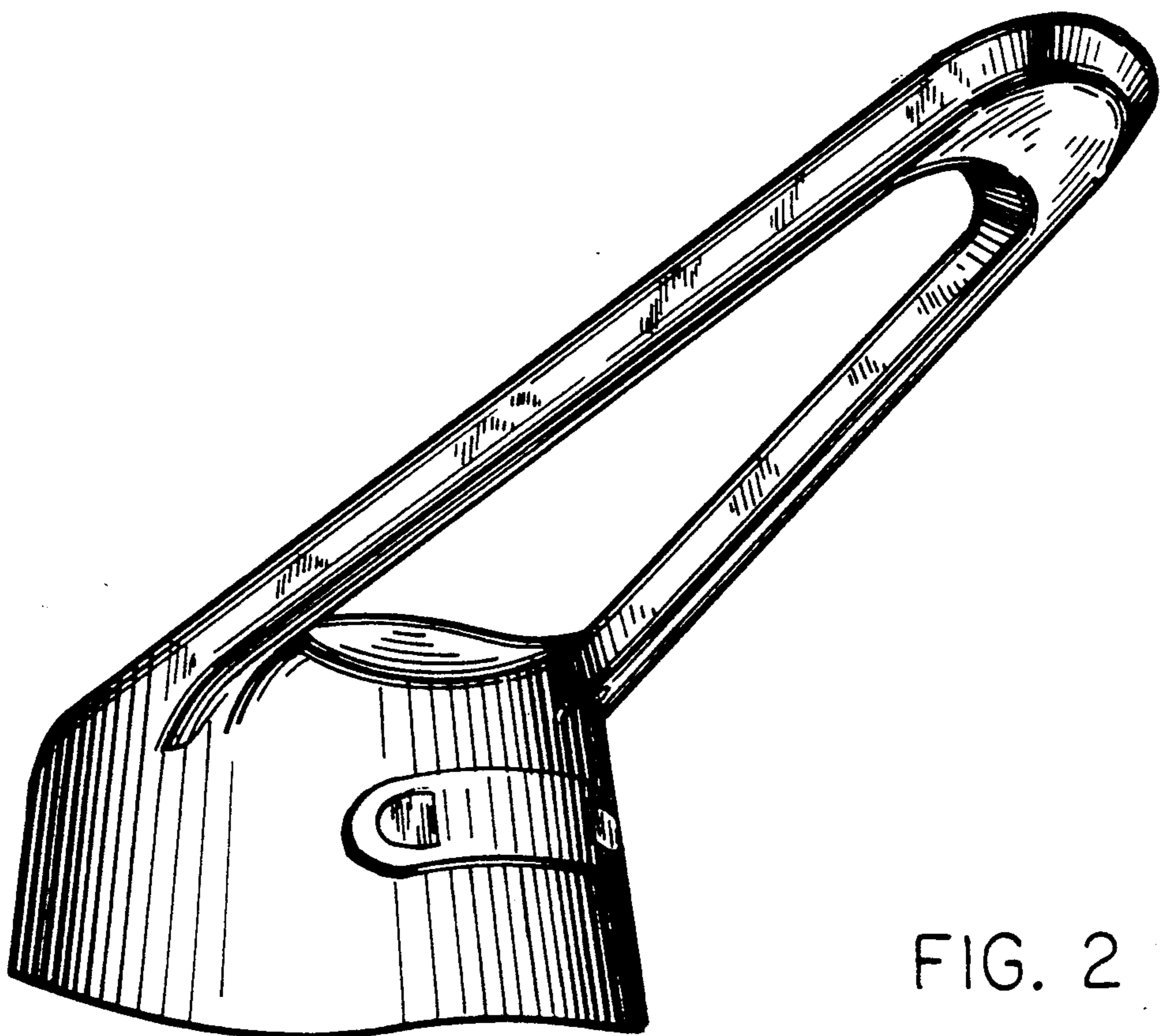


FIG. 2

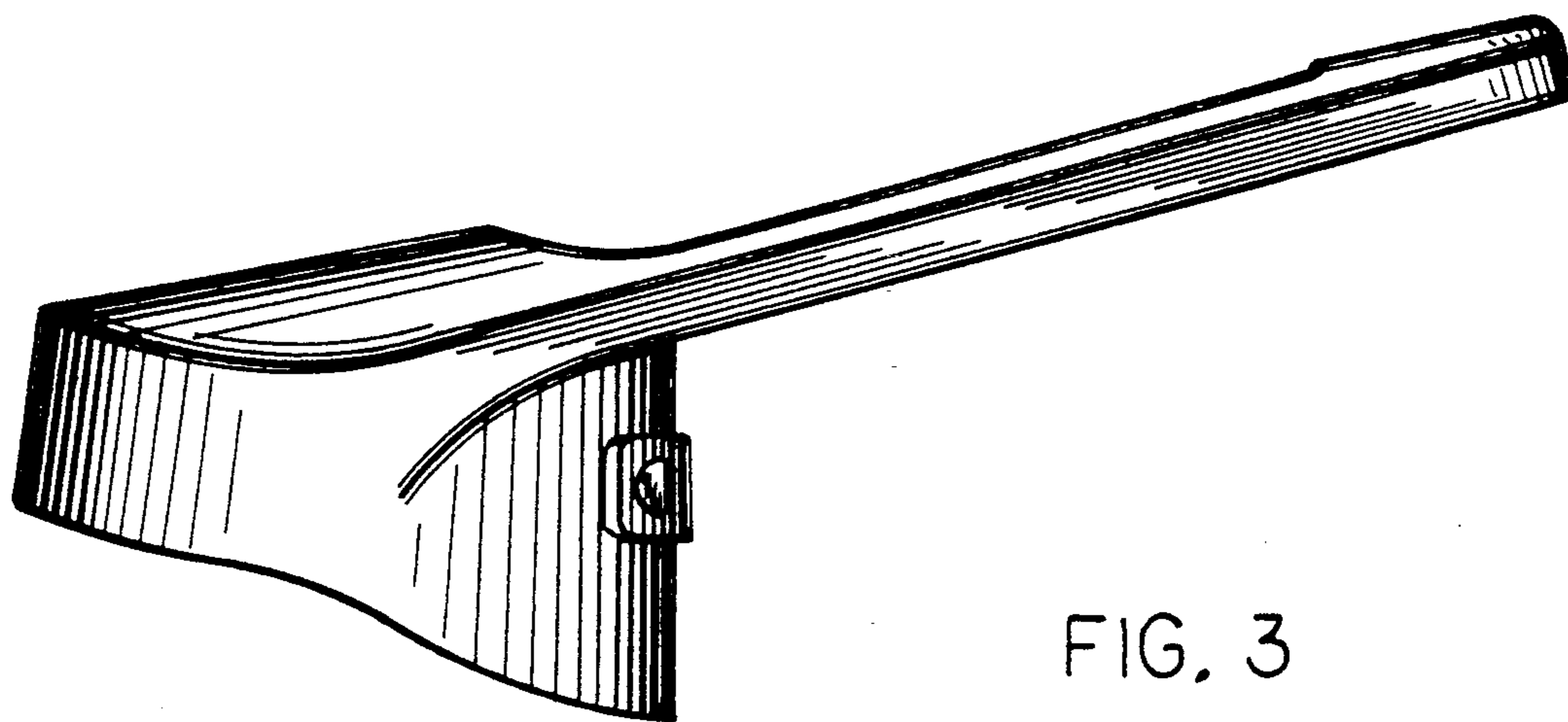


FIG. 3

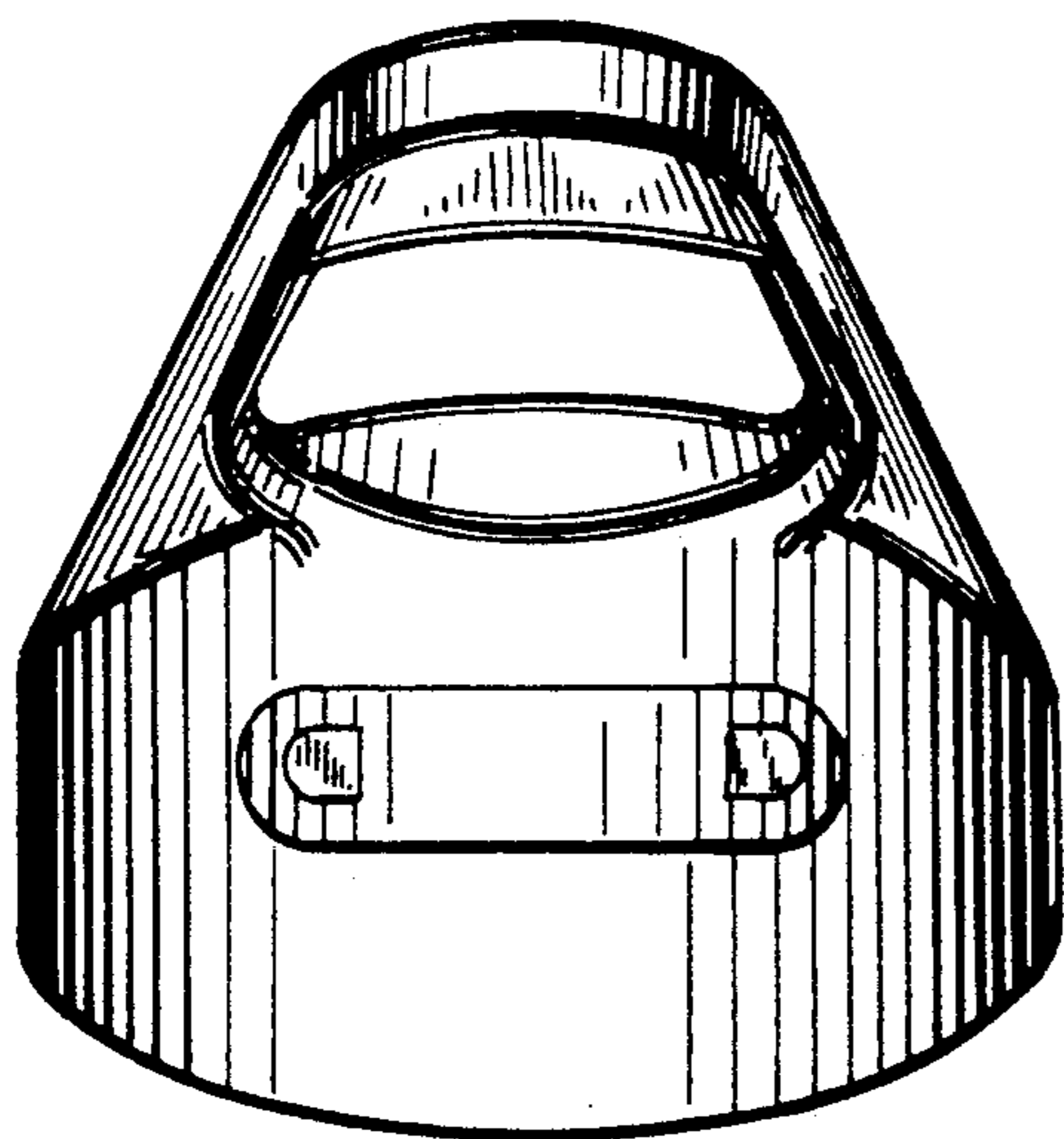


FIG. 4

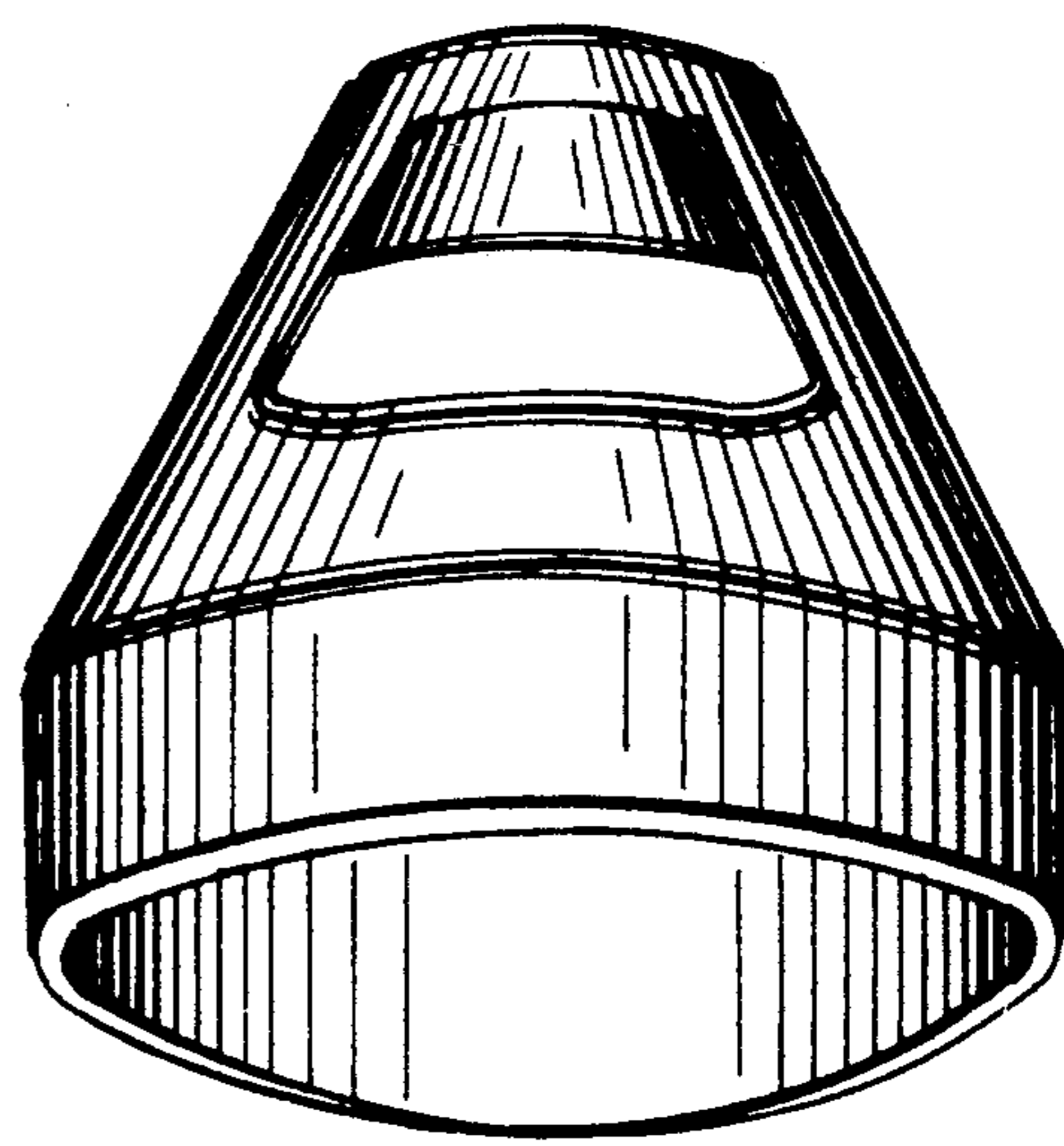


FIG. 5

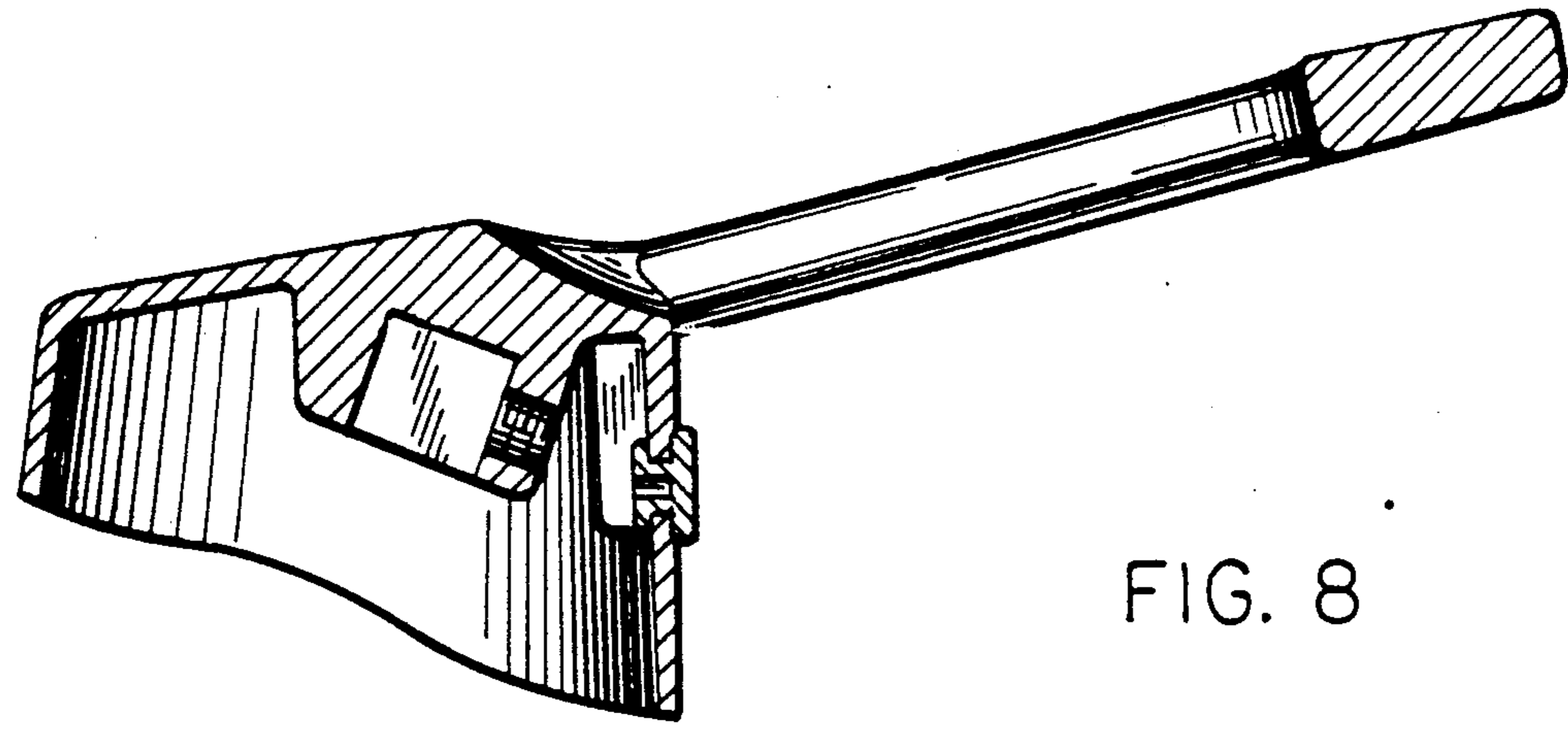
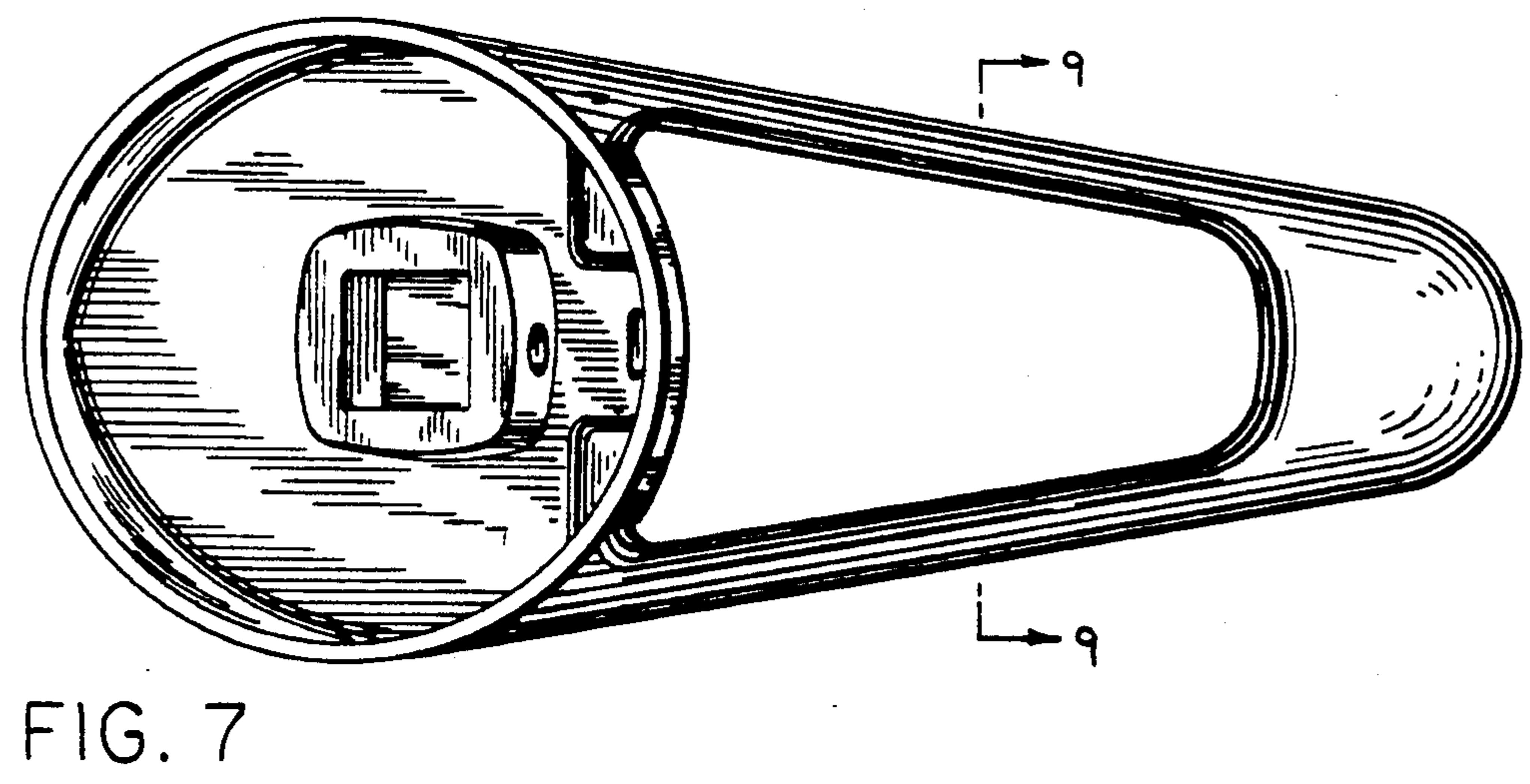
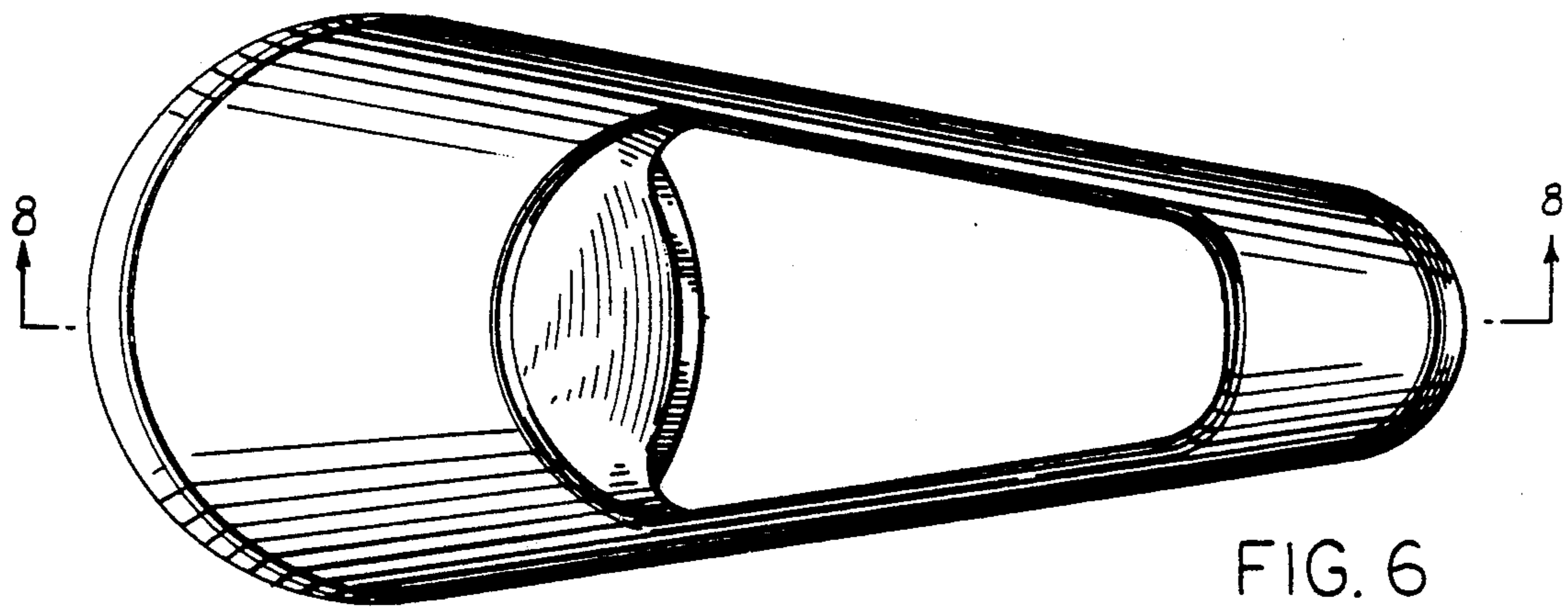


FIG. 9

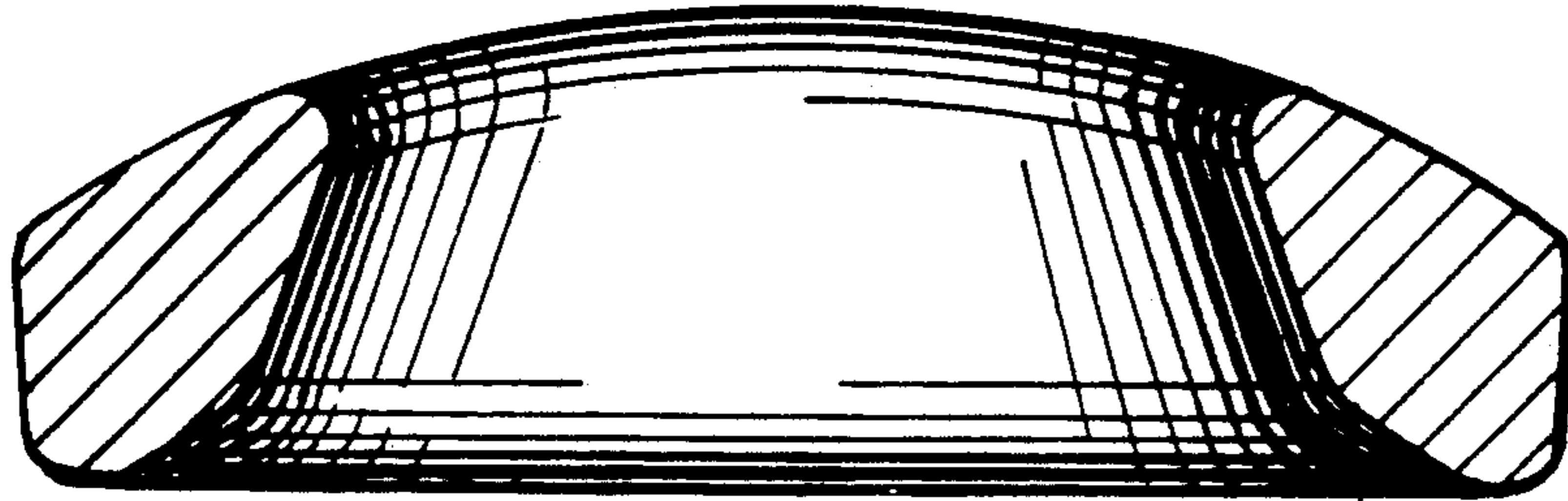


FIG. 10

