



US00D327118S

United States Patent [19]

[11] Patent Number: **Des. 327,118**

Rodstein

[45] Date of Patent: **** Jun. 16, 1992**

[54] FAUCET SET

D. 301,516 6/1989 Rodstein D23/242
4,334,328 6/1982 Delepine 4/191

[76] Inventor: **Harvey B. Rodstein**, 1170 Roberto La., Los Angeles, Calif. 90024, Barbara L. Rodstein, administratrix

Primary Examiner—A. Hugo Word
Assistant Examiner—Stella M. Reid

[**] Term: **14 Years**

[57] CLAIM

[21] Appl. No.: **69,273**

The ornamental design for a faucet set, as shown and described.

[22] Filed: **Jul. 1, 1987**

DESCRIPTION

[52] U.S. Cl. **D23/242**

FIG. 1 is a top plan view of a faucet set showing my new design;

[58] Field of Search **D23/238-243, D23/255, 256, 257; 137/801, 606, 607; 4/191, 192**

FIG. 2 is a front elevational view thereof;

FIG. 3 is a rear elevational view;

FIG. 4 is a side view of the water control handle taken along lines 4—4 on FIG. 2;

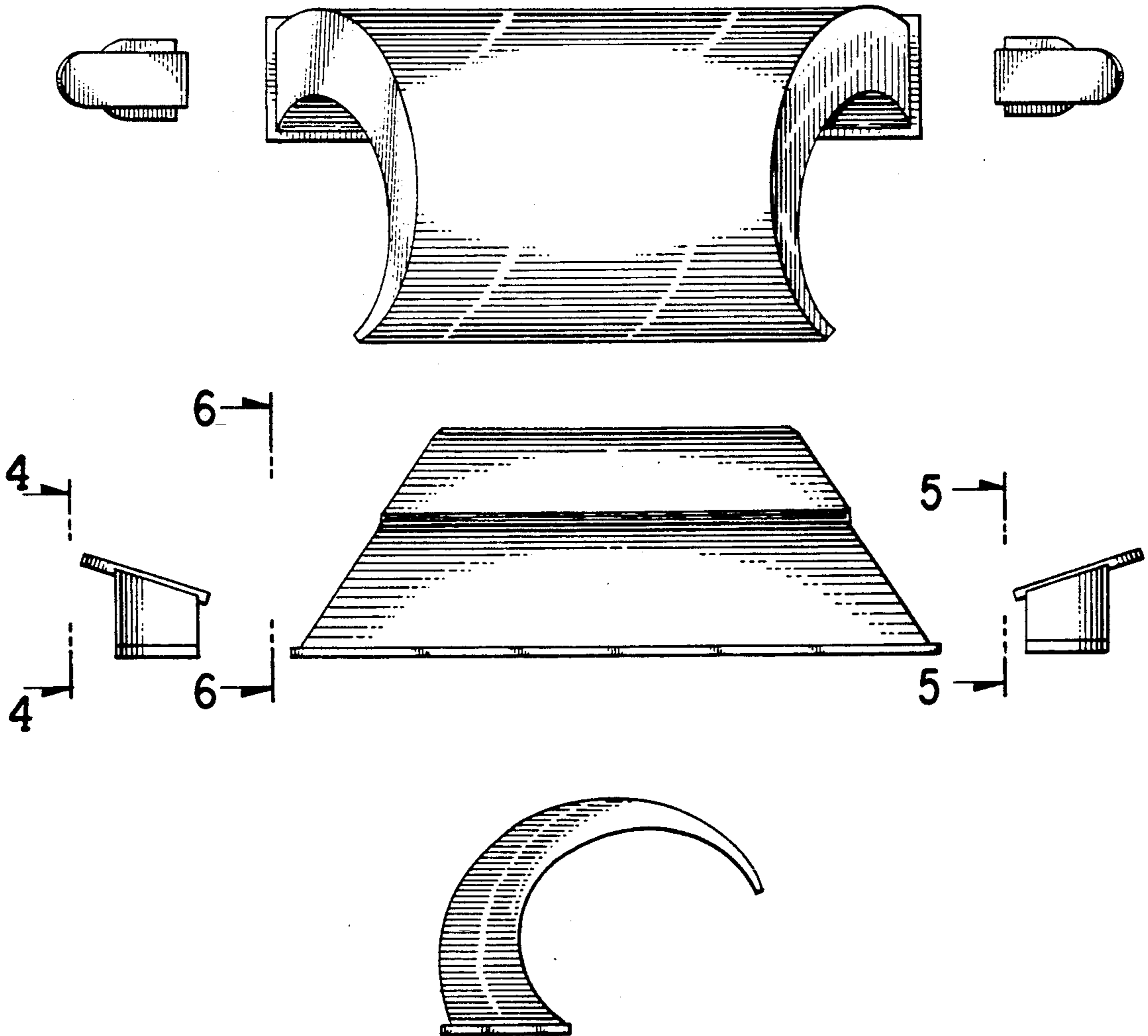
FIG. 5 is a side view of the water control handle taken along lines 5—5 on FIG. 2; and,

FIG. 6 is a side elevational view of a faucet taken along lines 6—6 on FIG. 2, the opposite side being identical thereto.

[56] References Cited

U.S. PATENT DOCUMENTS

D. 289,916	5/1987	Delepine	D23/255
D. 299,159	12/1988	Arnolds	D23/242
D. 299,951	2/1989	Pery	D23/255
D. 301,054	5/1989	Rodstein	D23/242



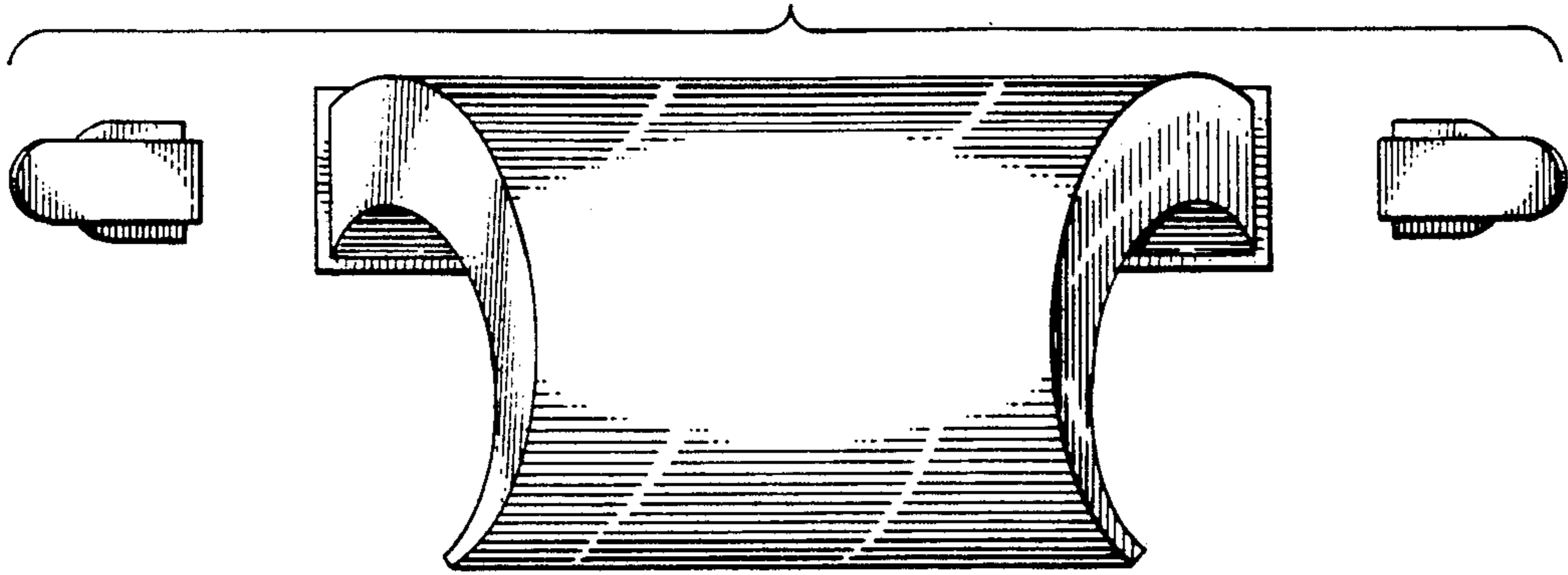


FIG. 1.

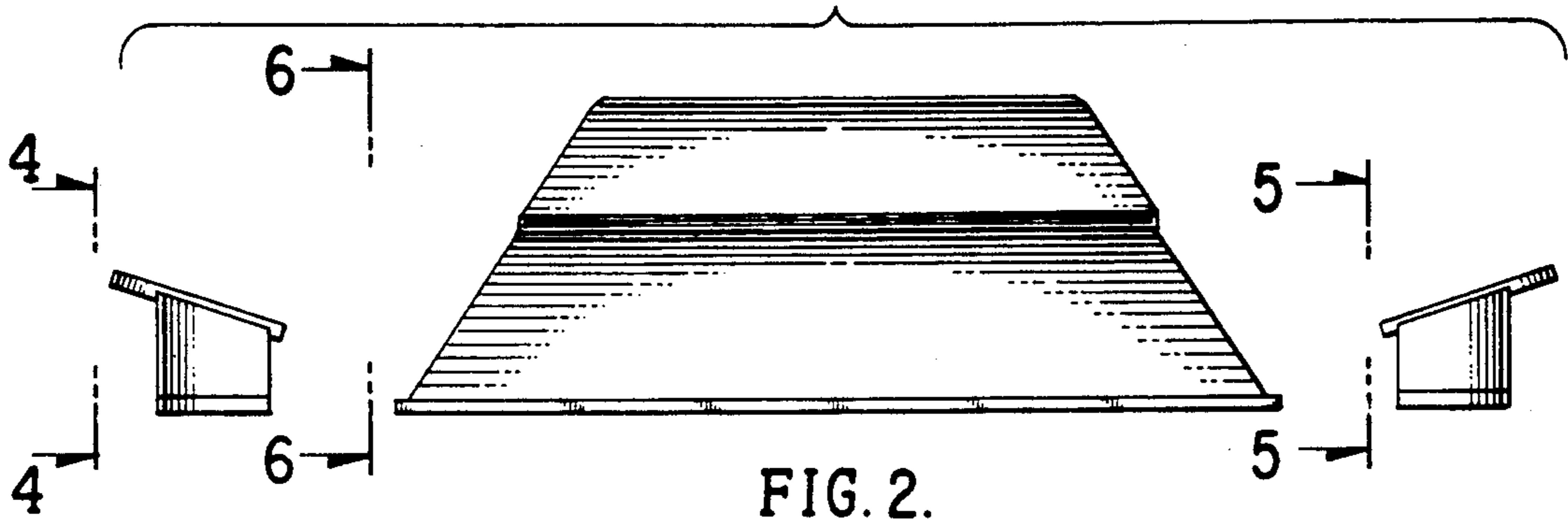


FIG. 2.

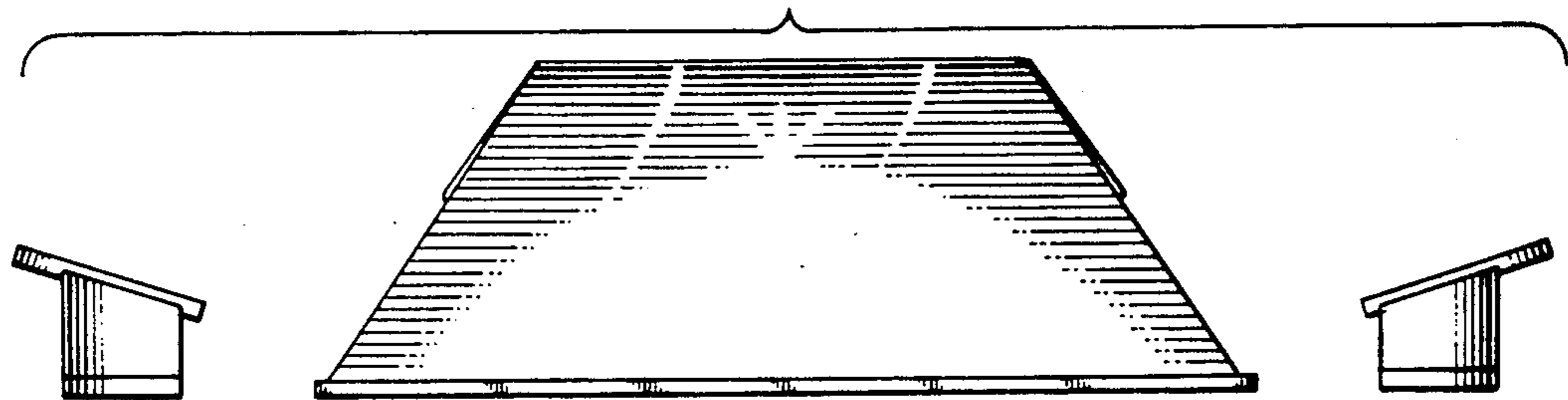


FIG. 3.

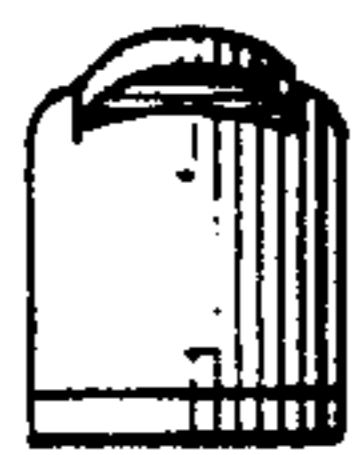


FIG. 4.



FIG. 5.

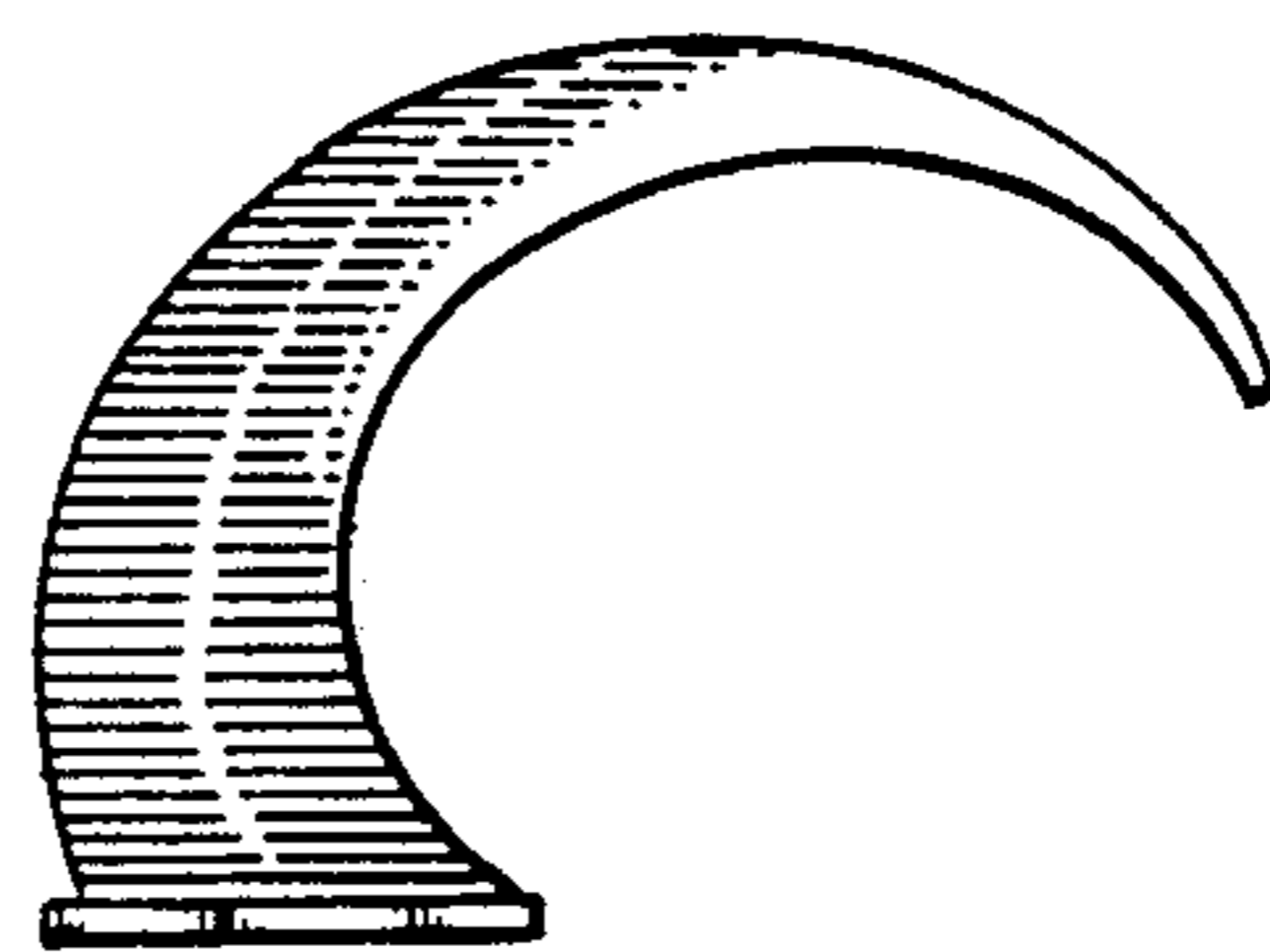


FIG. 6.