



US00D327114S

# United States Patent [19]

[11] Patent Number: **Des. 327,114**

Van Kirk

[45] Date of Patent: **\*\* Jun. 16, 1992**

[54] **COMBINED IRRIGATION SPRINKLER AND HOSE REEL**

4,186,881 2/1980 Long ..... 239/198  
4,632,494 12/1986 Newell et al. .... 239/741 X  
4,832,263 5/1989 Poynor ..... 239/723 X

[76] Inventor: **John T. Van Kirk**, 5092 County Rd.,  
302, Durango, Colo. 81301

*Primary Examiner*—Susan J. Lucas  
*Assistant Examiner*—M. H. Tung  
*Attorney, Agent, or Firm*—Kenton L. Freudenberg;  
Maxwell C. Freudenberg

[\*\*] Term: **14 Years**

[21] Appl. No.: **304,113**

[57] **CLAIM**

[22] Filed: **Jan. 31, 1989**

The ornamental design for the combined irrigation sprinkler and hose reel, as shown and described.

[52] U.S. Cl. .... **D23/214**

[58] Field of Search ..... D23/200, 213-221;  
239/198, 230, 722, 723, 726, 735, 741

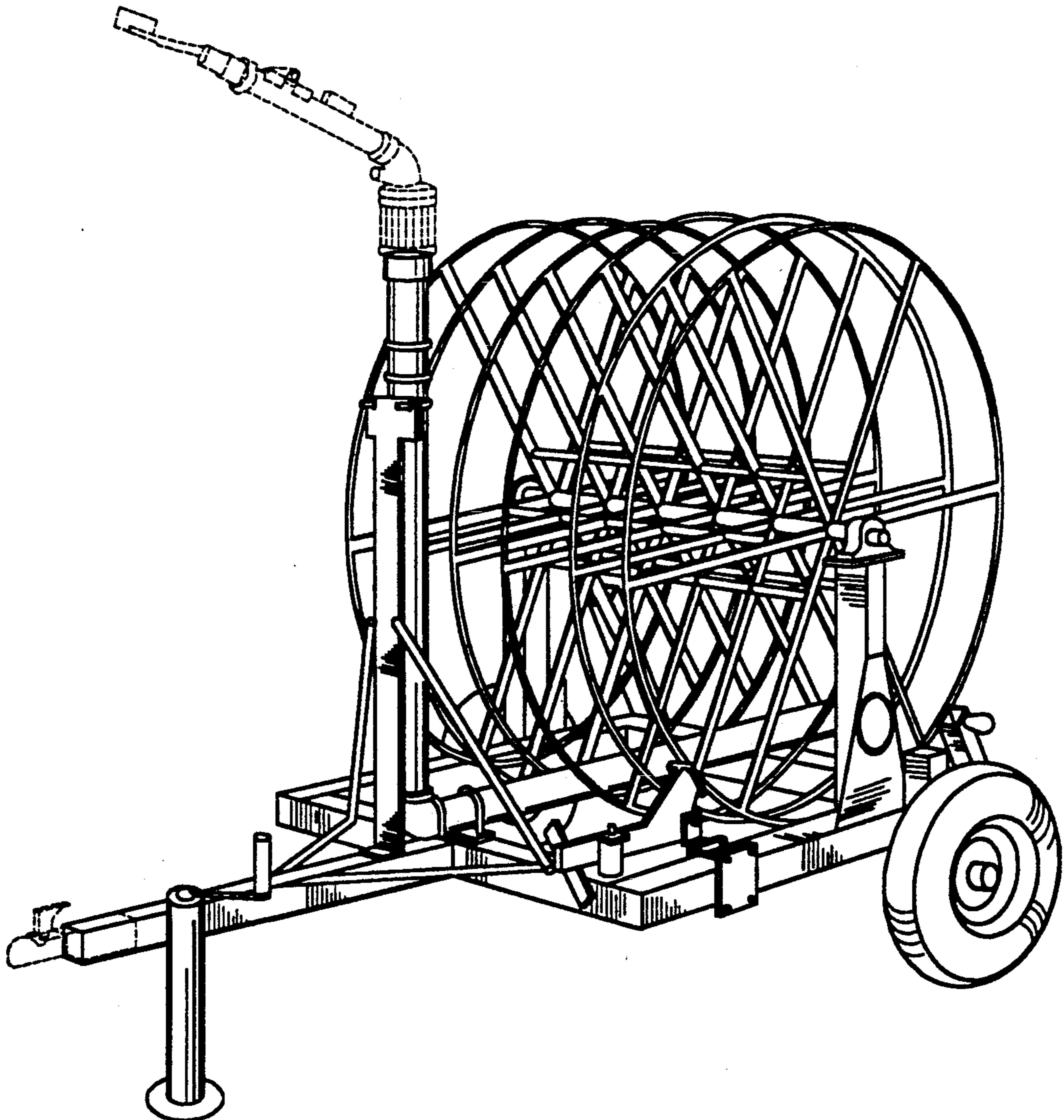
**DESCRIPTION**

[56] **References Cited**

**U.S. PATENT DOCUMENTS**

D. 255,378 6/1980 Tropiano ..... D23/219 X  
4,084,610 4/1978 Boone et al. .... 239/735 X

FIG. 1 is a front perspective view of a combined irrigation sprinkler and hose reel showing my new design; FIG. 2 is a rear perspective view thereof; FIG. 3 is a side elevational view thereof; and, FIG. 4 is a top plan view thereof.



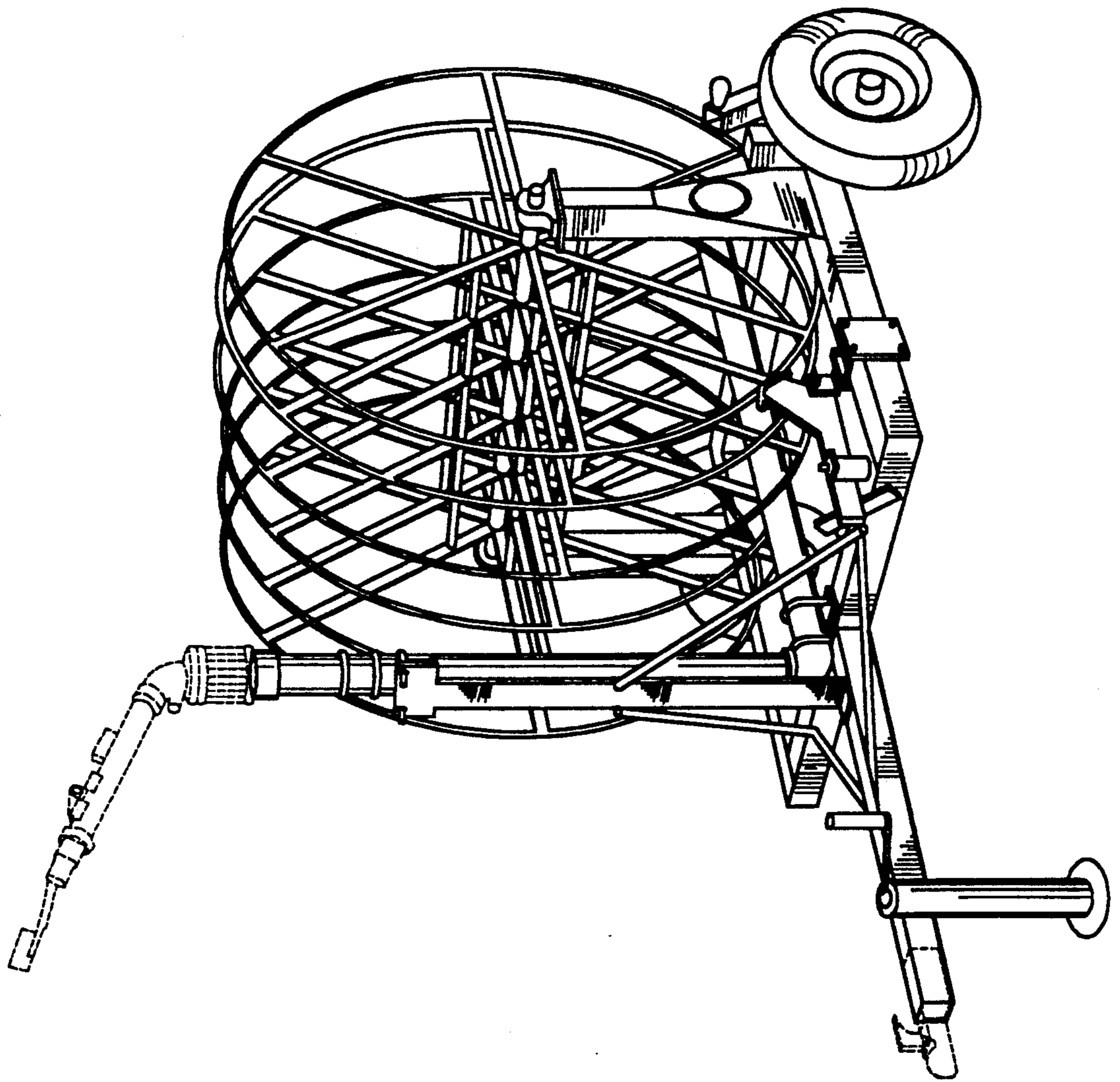


FIG. 1

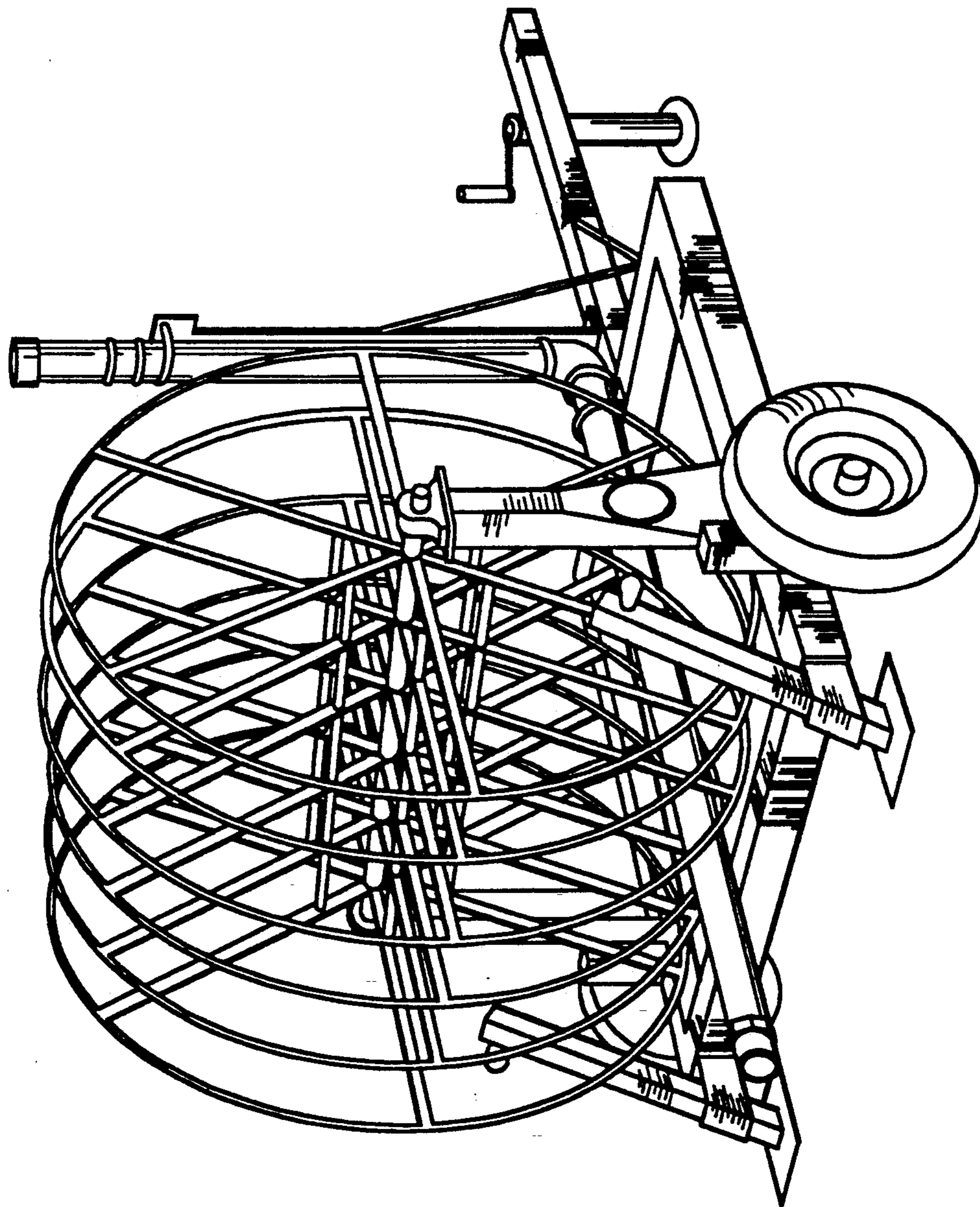


FIG. 2

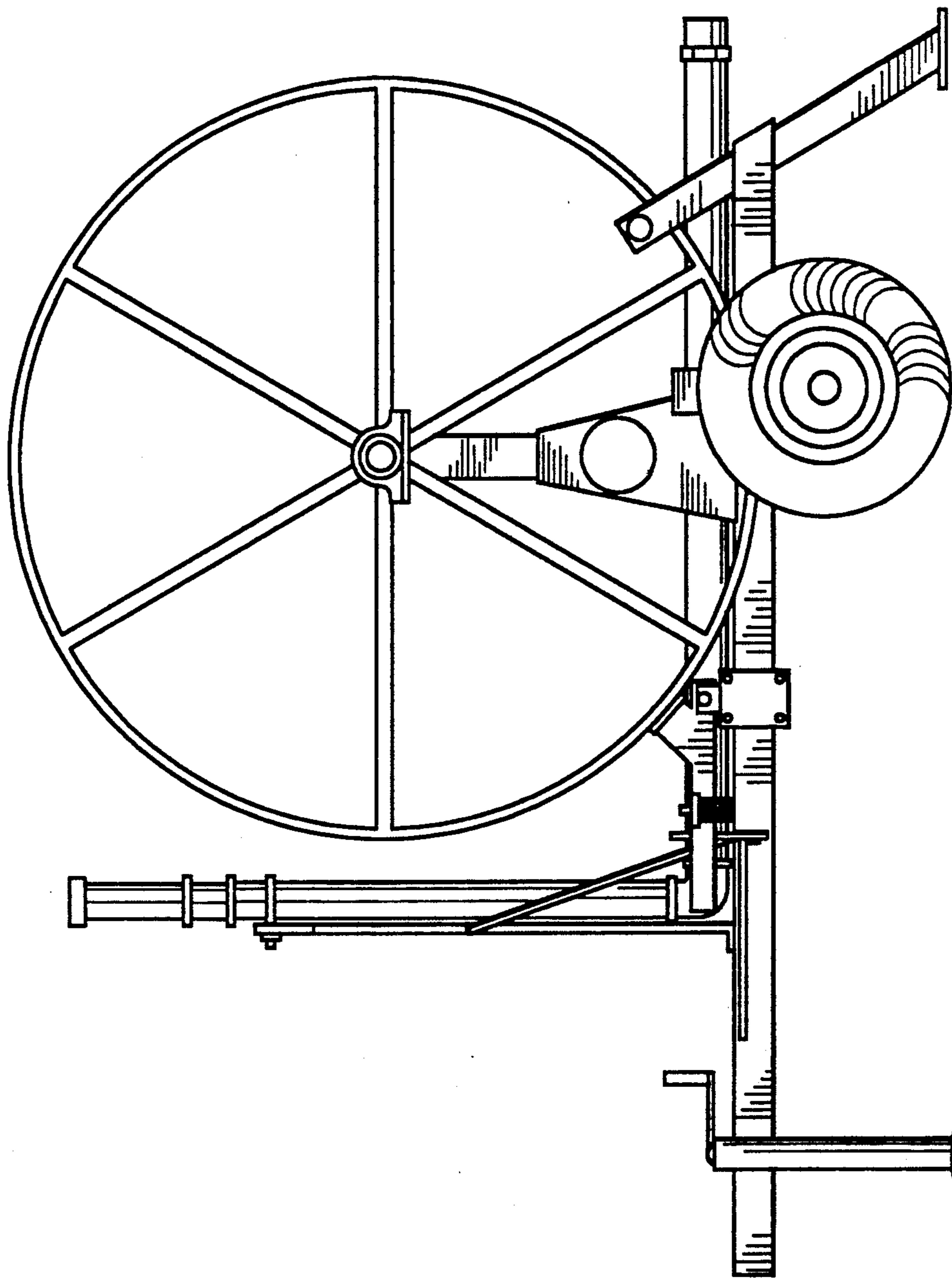


FIG. 3

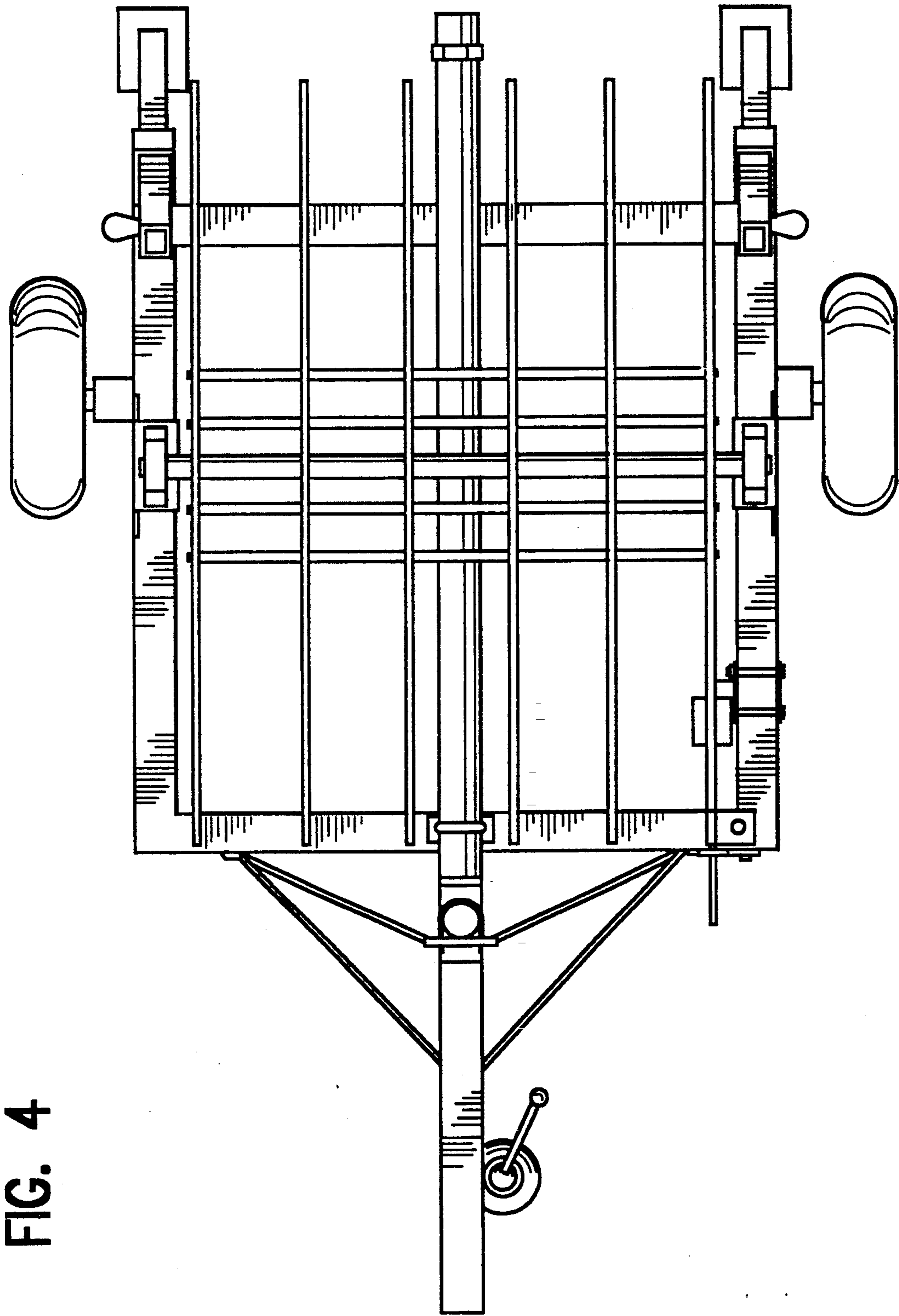


FIG. 4