



US00D327113S

United States Patent [19]

[11] Patent Number: **Des. 327,113**

Young et al.

[45] Date of Patent: **** Jun. 16, 1992**

[54] **MAGNETIC WATER CONDITIONER FOR WATER CONVEYING CONDUITS**

4,888,113 12/1989 Holcomb 210/222
4,995,425 2/1991 Weisenbanger et al. 210/222 X

[76] Inventors: **Henry R. Young; Donald R. Matz,**
both of 14954 Delano St., Van Nuys,
Calif. 91411

Primary Examiner—Susan J. Lucas
Assistant Examiner—M. H. Tung
Attorney, Agent, or Firm—Wagner & Middlebrook

[**] Term: **14 Years**

[57] **CLAIM**

[21] Appl. No.: **569,669**

The ornamental design for a magnetic water conditioner for water conveying conduits, as shown and described.

[22] Filed: **Aug. 20, 1990**

[52] U.S. Cl. **D23/207**

[58] Field of Search D23/207-210;
210/97, 198.1, 205-206, 231, 244-246,
257.1-257.2, 258, 260-261, 282, 287-290, 295,
321.6, 321.78, 416.3, 443-449, 222-223

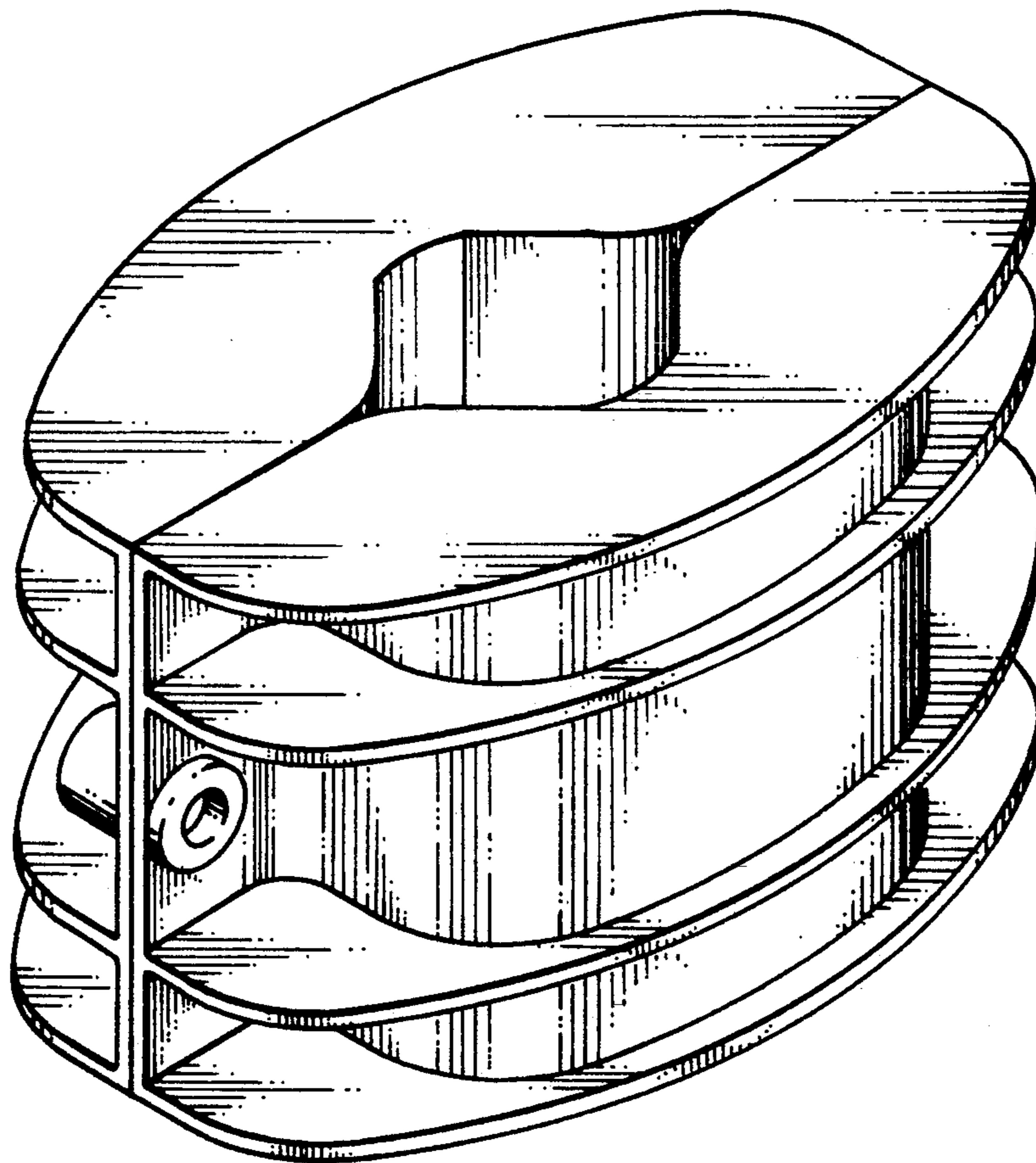
DESCRIPTION

[56] **References Cited**

U.S. PATENT DOCUMENTS

3,412,854 11/1968 Klein 210/222 X
4,367,143 1/1983 Carpenter 210/222

FIG. 1 is a perspective view of a magnetic water conditioner for water conveying conduits showing our new design;
FIG. 2 is a front elevational view thereof, the rear view being a mirror image;
FIG. 3 is a left side elevational view thereof; the right side being a mirror image; and,
FIG. 4 is a top plan view thereof, the bottom view being identical.



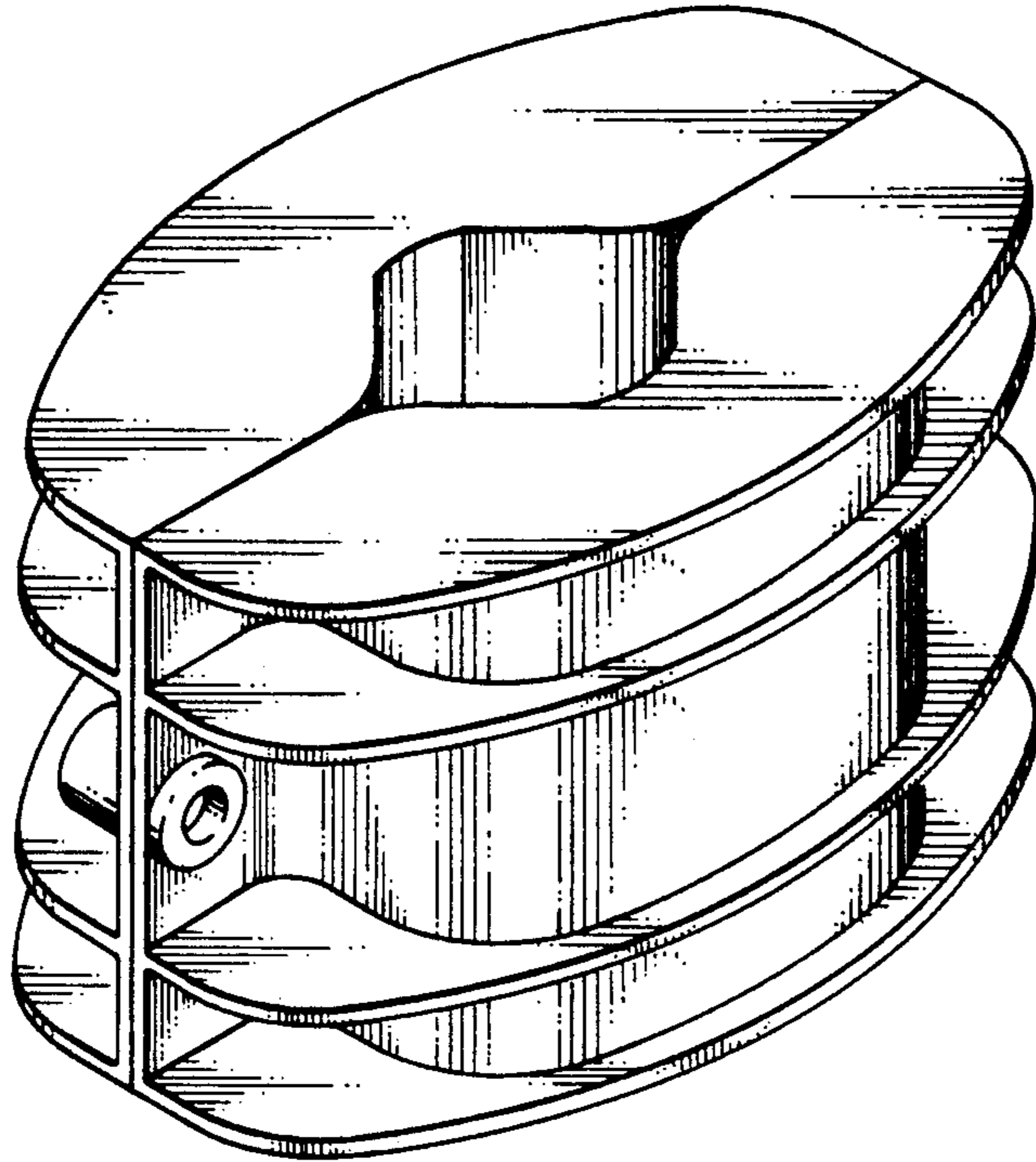


FIG. 1

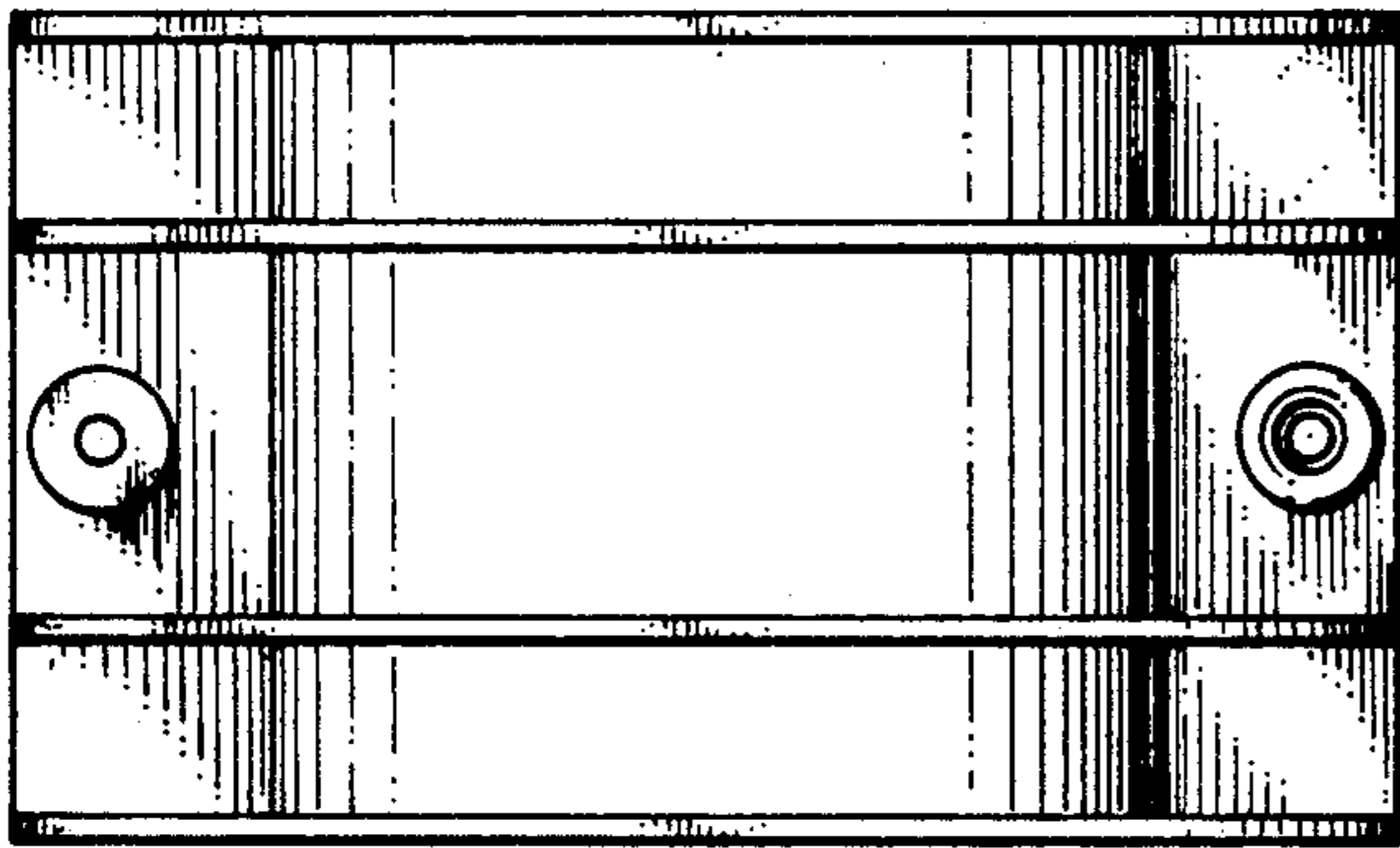


FIG. 2

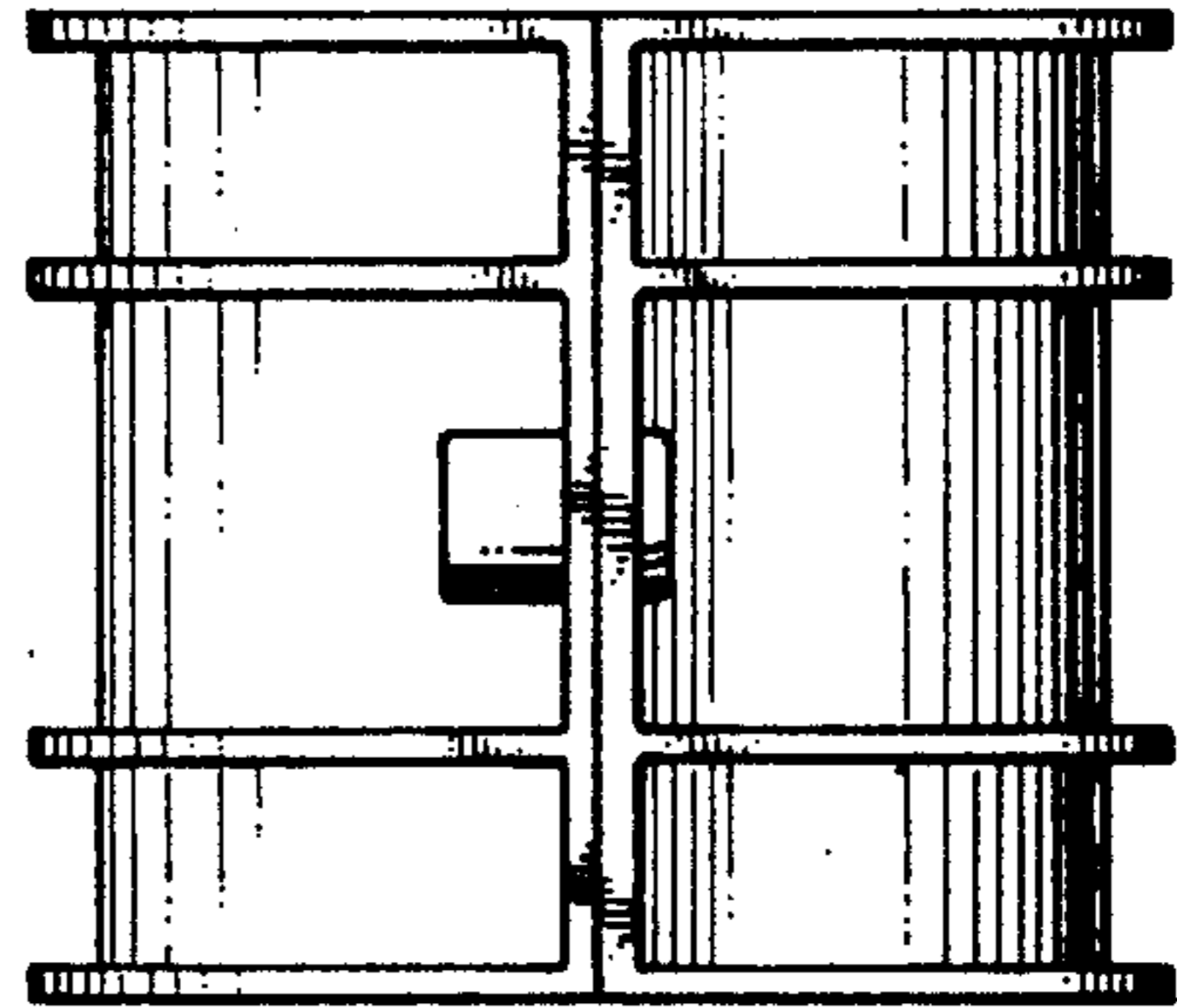


FIG. 3

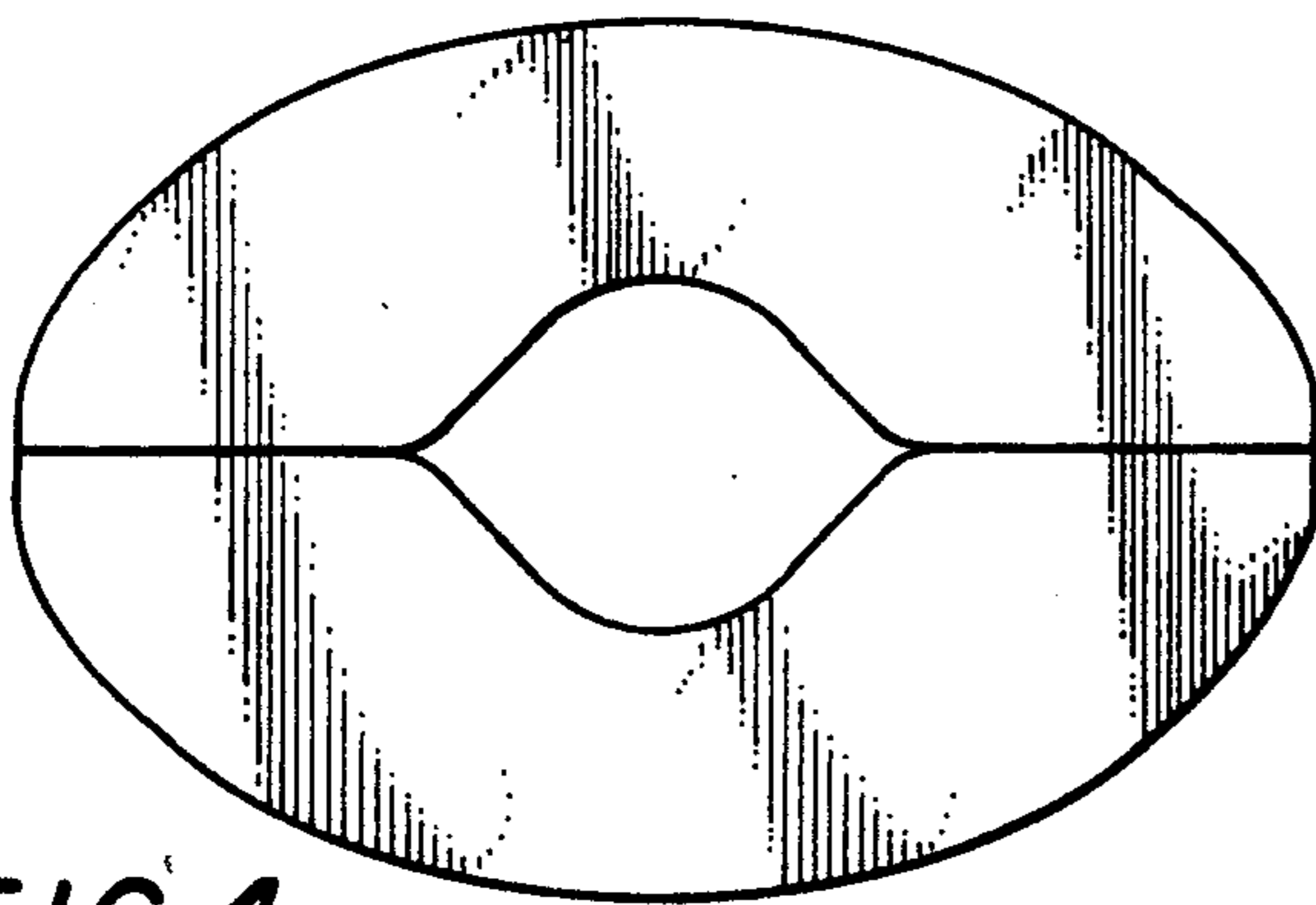


FIG. 4