



US00D327107S

United States Patent [19]

[11] Patent Number: **Des. 327,107**

Nersesian

[45] Date of Patent: **** Jun. 16, 1992**

[54] **PHYSICAL EXERCISE STAND**

D. 299,501 1/1989 Howze D21/191

[76] Inventor: **Aram Nersesian**, 120 E. Verdugo Ave., Burbank, Calif. 91502

OTHER PUBLICATIONS

Ironman, Aug. 1988, p. 95, "Dox Safety Bench".

[**] Term: **14 Years**

Primary Examiner—Charles A. Rademaker
Attorney, Agent, or Firm—Wagner & Middlebrook

[21] Appl. No.: **572,909**

[57] CLAIM

[22] Filed: **Aug. 23, 1990**

The ornamental design for a physical exercise stand, as shown and described.

[52] U.S. Cl. **D21/191; D21/196**

[58] Field of Search **D21/191-196,**
D21/199; 272/93, 67, 68, 143, 144, 125, 133,
134, 123

DESCRIPTION

FIG. 1 is a front perspective view of a physical exercise stand showing my new design, the side opposite being a mirror image;

FIG. 2 is a top plan view thereof; and,

FIG. 3 is a bottom plan view thereof.

[56] References Cited

U.S. PATENT DOCUMENTS

D. 290,033 5/1987 Policastro D21/198

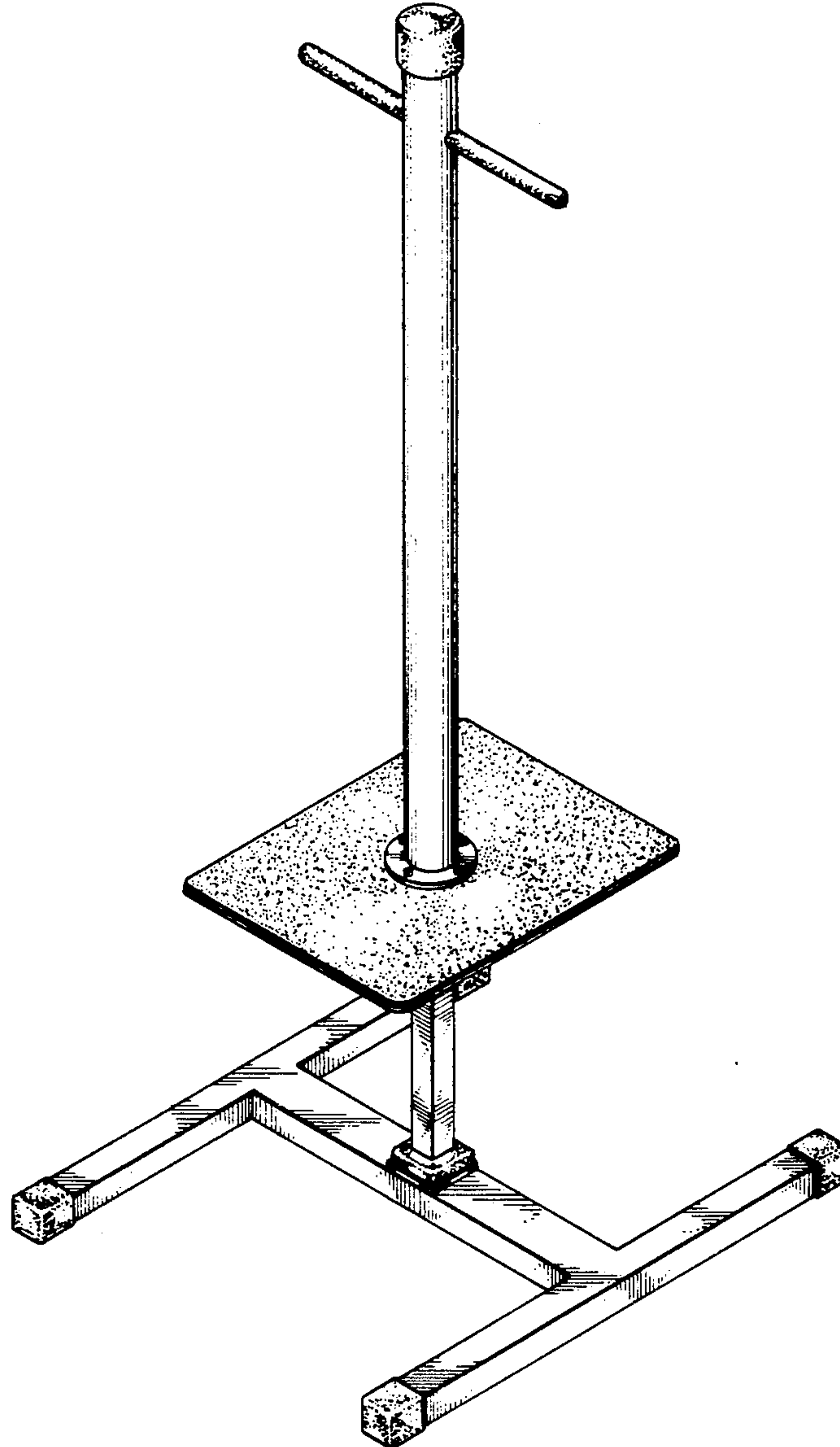
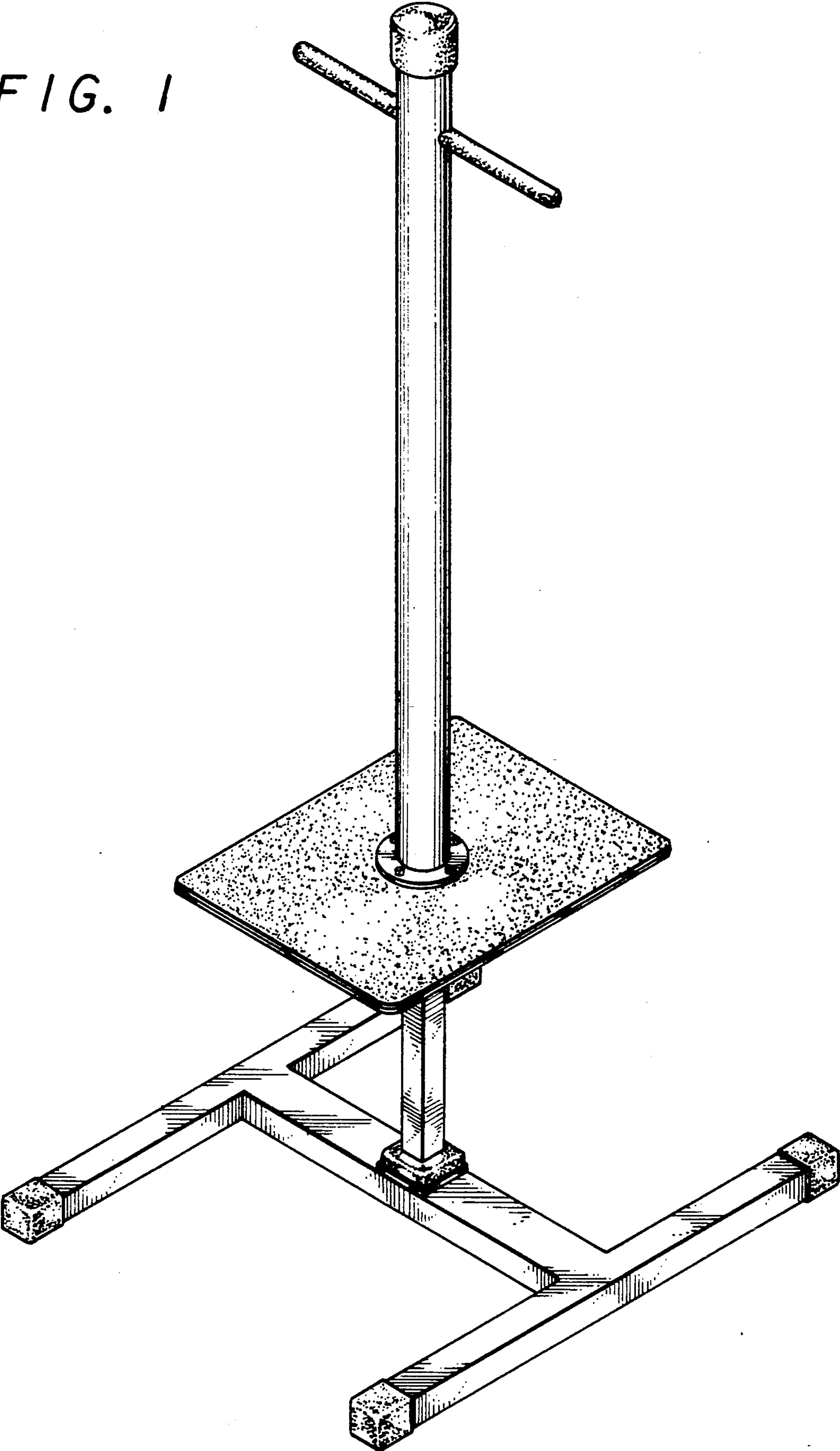


FIG. 1



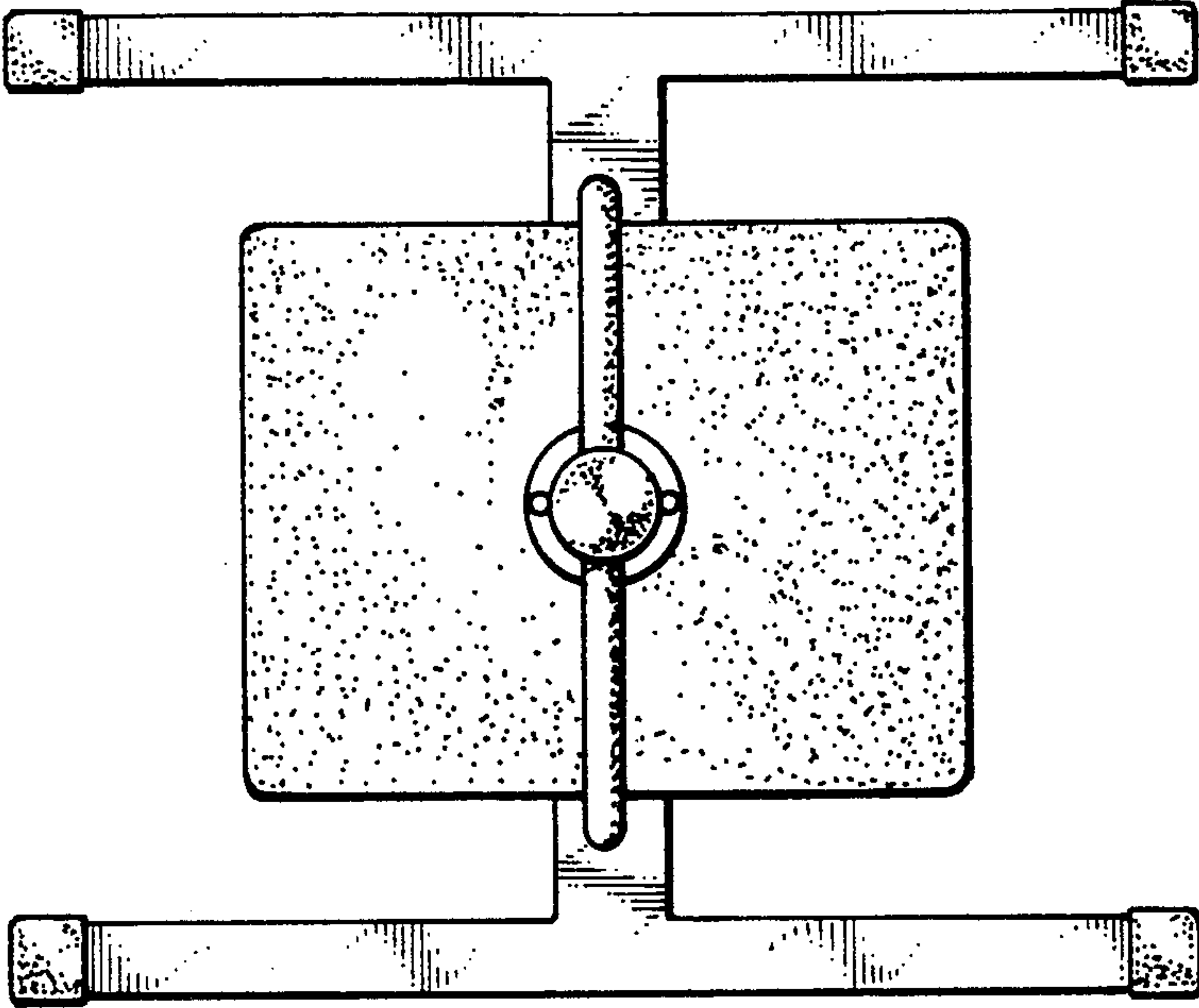


FIG. 2

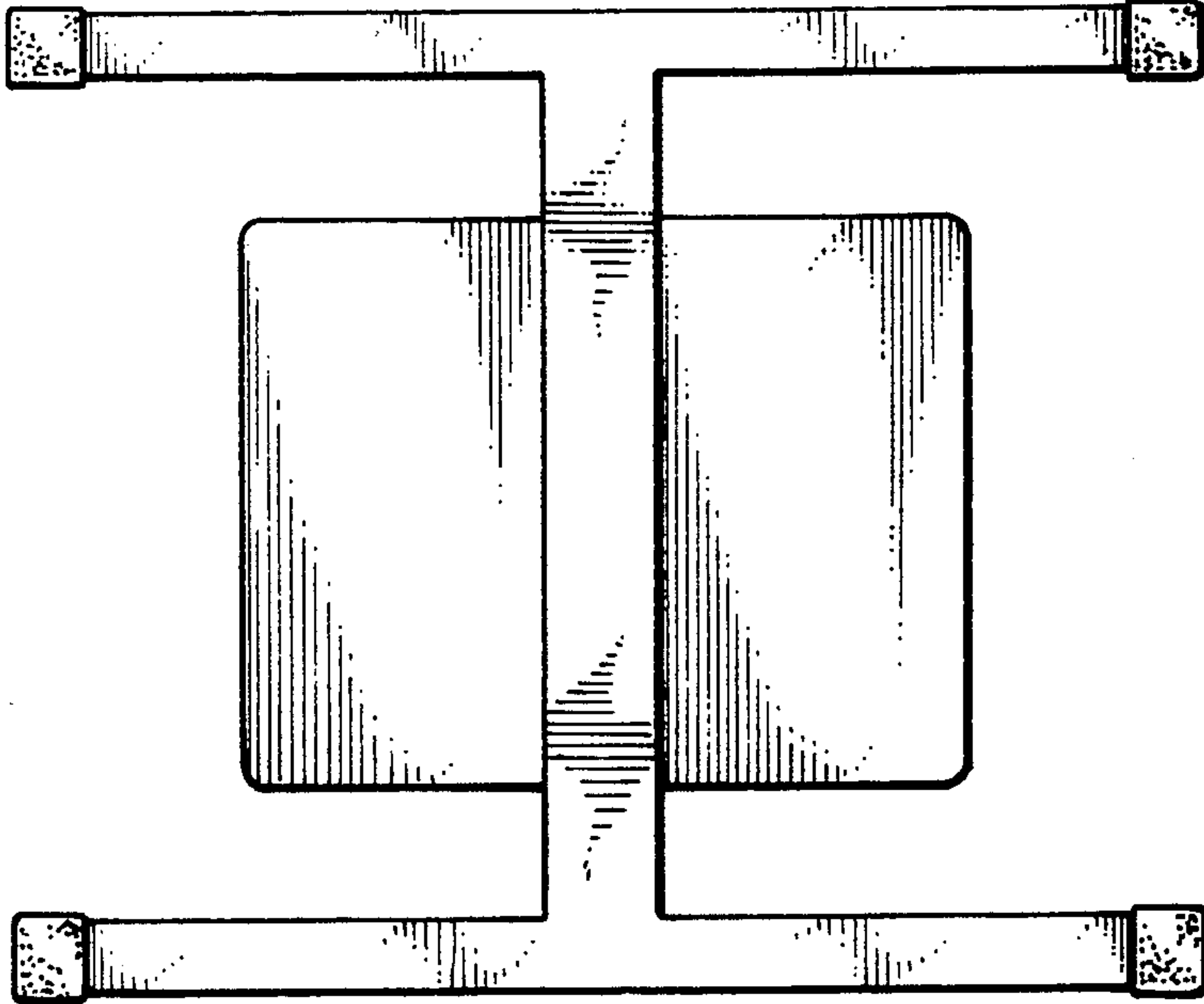


FIG. 3