



US00D327101S

United States Patent [19]

[11] Patent Number: **Des. 327,101**

Halter et al.

[45] Date of Patent: **** Jun. 16, 1992**

[54] **TOY WAGON**

[75] Inventors: **Jeffrey T. Halter; John J. Norton,**
both of East Aurora, N.Y.

[73] Assignee: **The Quaker Oats Company, Chicago,**
Ill.

[**] Term: **14 Years**

[21] Appl. No.: **511,635**

[22] Filed: **Apr. 20, 1990**

[52] U.S. Cl. **D21/71**

[58] Field of Search **D21/71, 80, 81, 108,**
D21/124, 128, 134, 135, 141; 280/1.13, 1.22,
87.041, 87.043, 87.01, 828; 446/95, 128, 440

[56] **References Cited**

U.S. PATENT DOCUMENTS

D. 208,715	9/1967	Ryan	D21/71
D. 224,255	7/1972	Novak	D21/71
4,741,544	5/1988	Kassai	280/1.13

OTHER PUBLICATIONS

Marx Toys catalog 1973 #3055 p. 27.

Just for Kids p. 56 1987 "B".

Sears catalog 1985 p. 568 #6.

Coleco catalog 1987 top of page p. 43.

Primary Examiner—Bernard Ansher

Assistant Examiner—R. Barkai

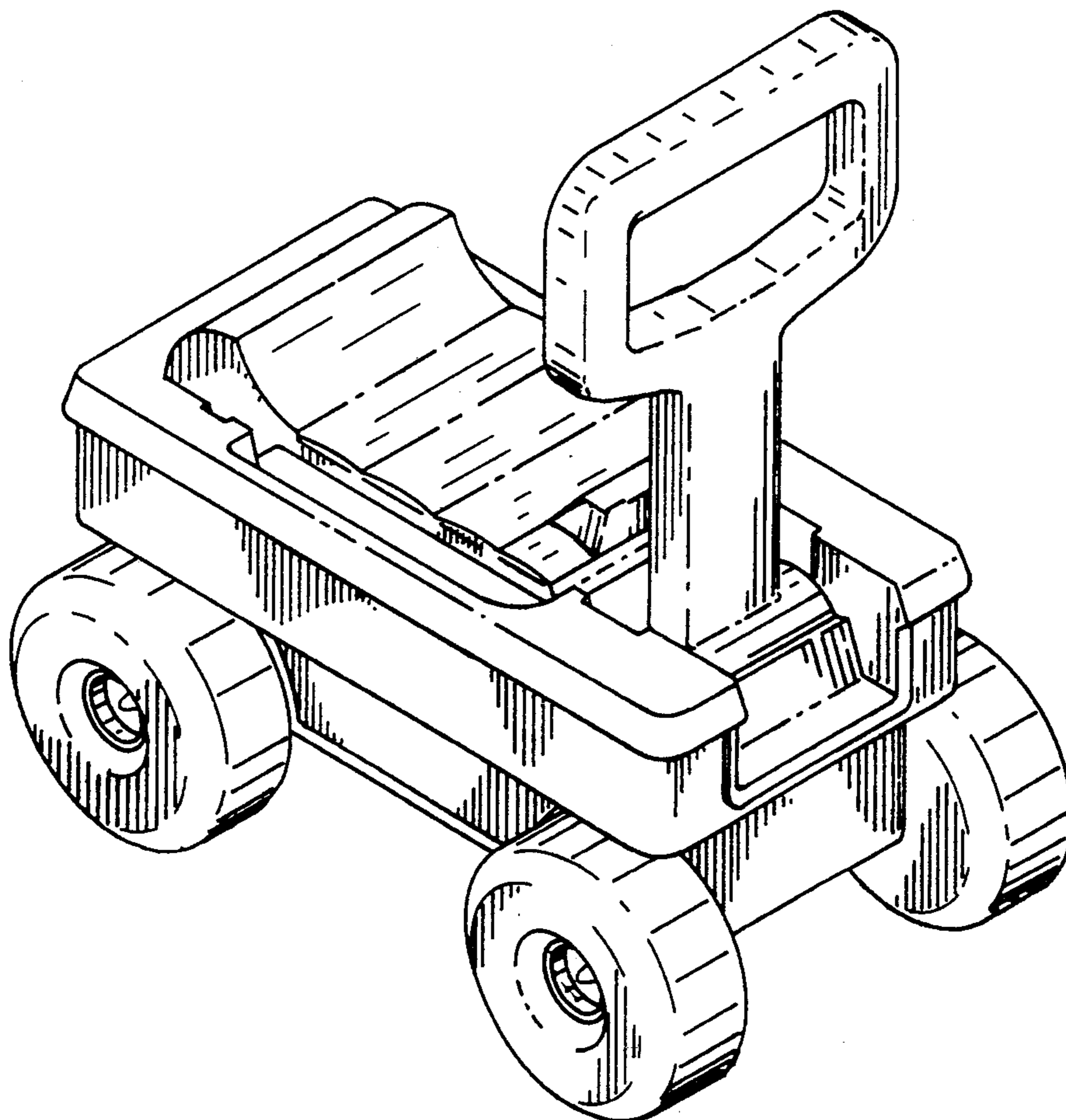
Attorney, Agent, or Firm—Cumpston & Shaw

[57] **CLAIM**

The ornamental design for a toy wagon, as shown and described.

DESCRIPTION

FIG. 1 is a top front, and right side perspective view of a toy wagon showing our new design; FIG. 2 is a right side elevational view thereof; FIG. 3 is a left side elevational view thereof; FIG. 4 is a rear elevational view thereof; FIG. 5 is a front elevational view thereof; FIG. 6 is a top plan view thereof; FIG. 7 is a bottom plan view thereof; and, FIG. 8 is a right side elevational view with the handle in its forward position and the seat in its raised position.



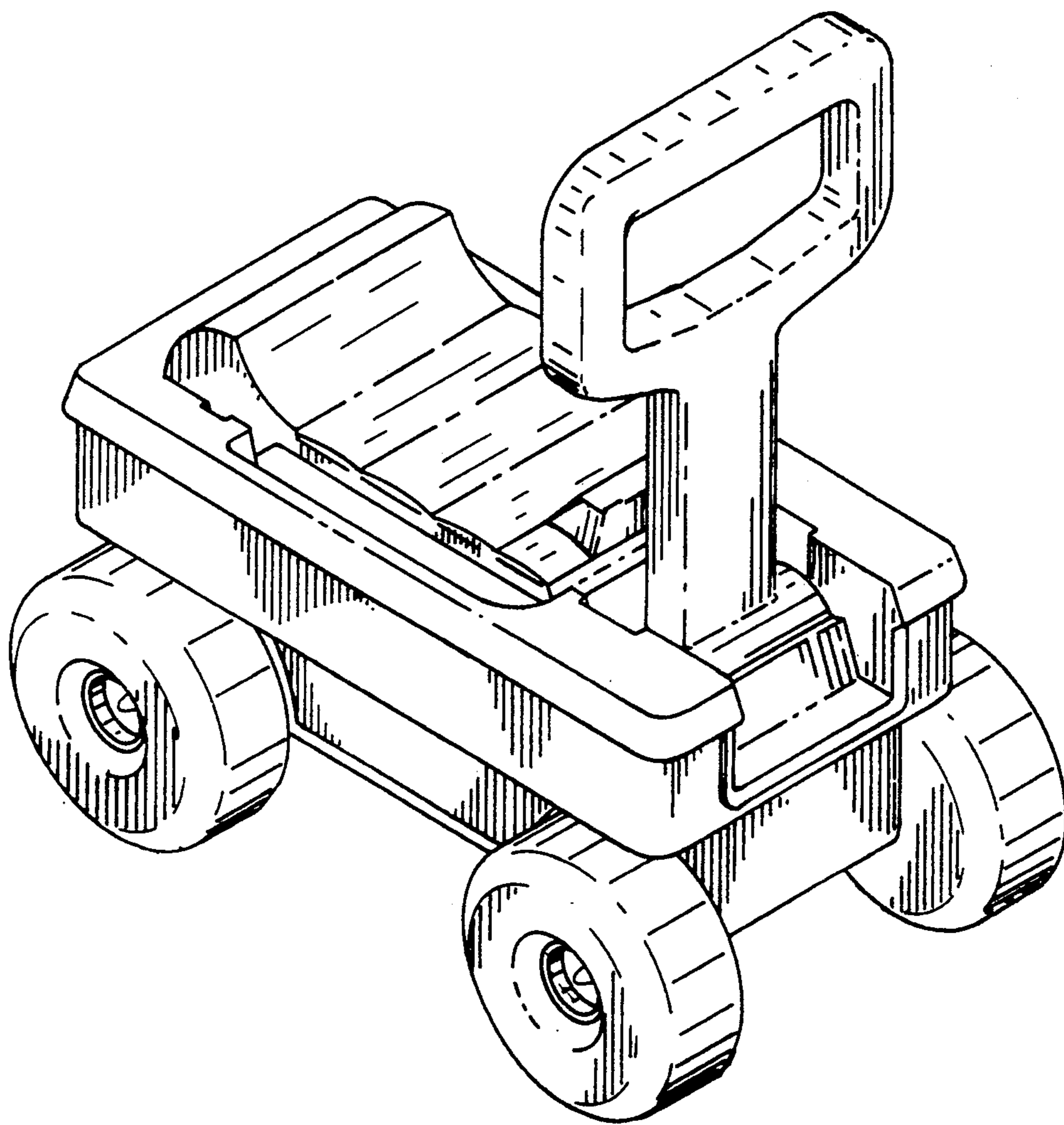


FIG. 1

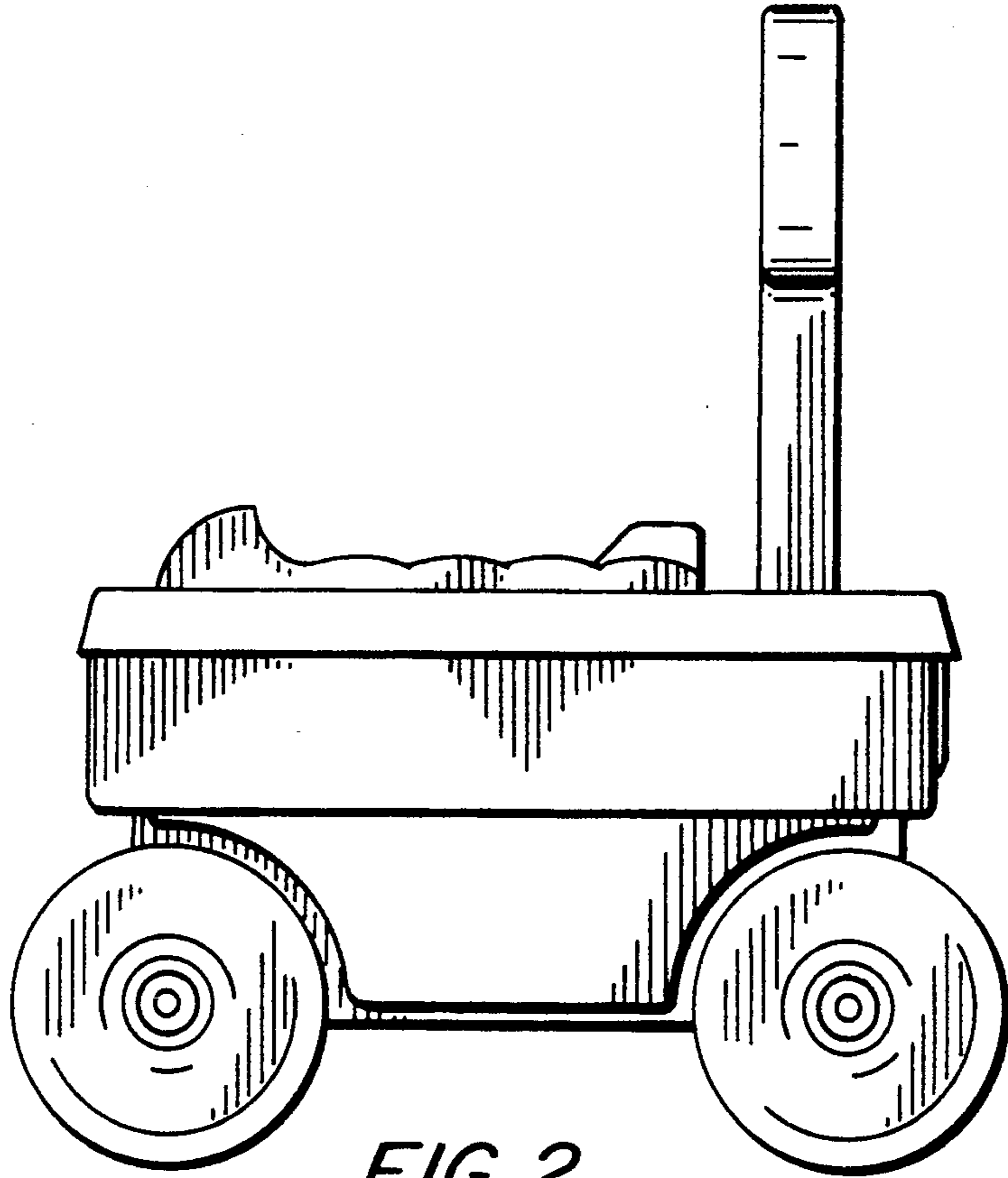


FIG. 2

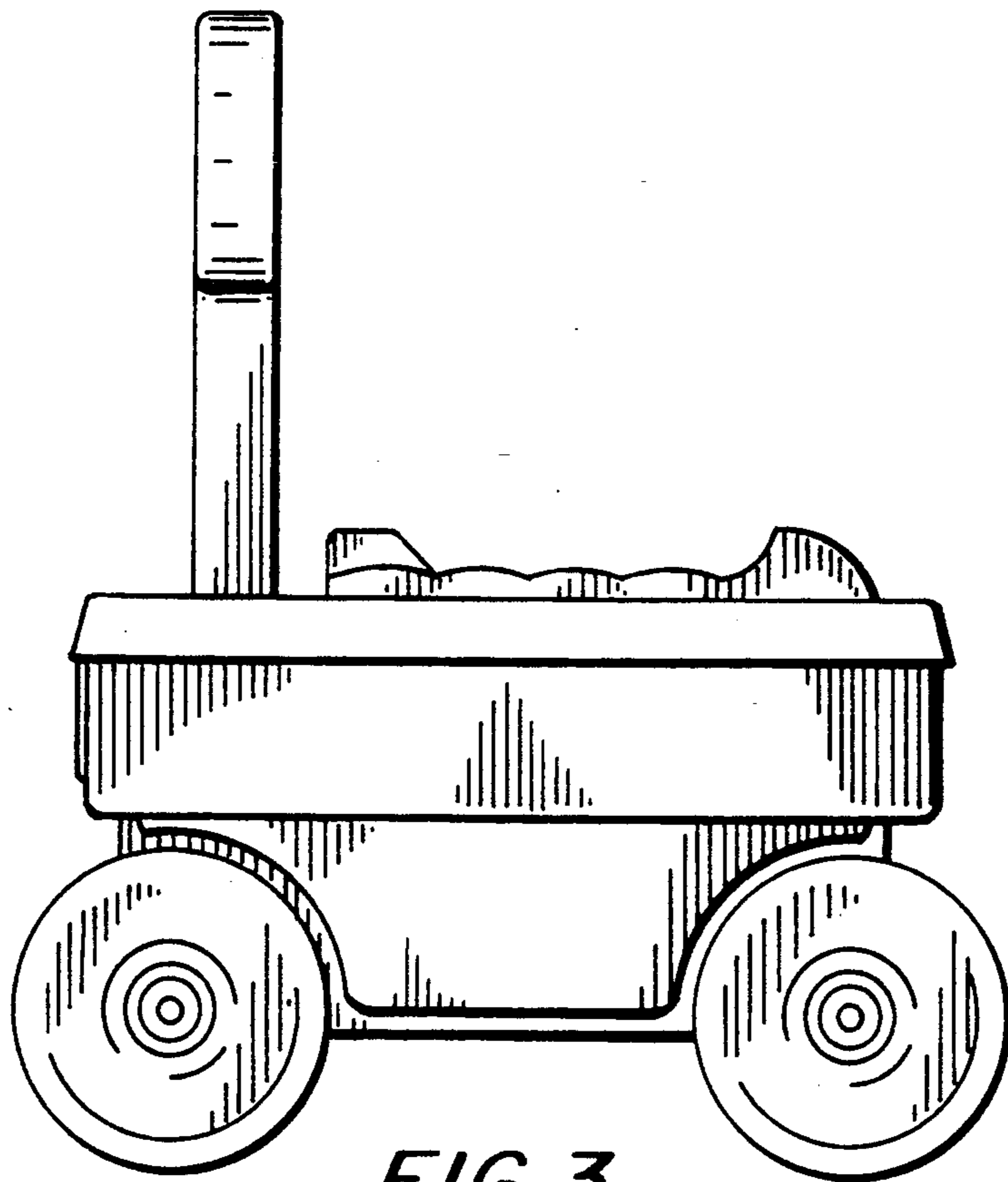


FIG. 3

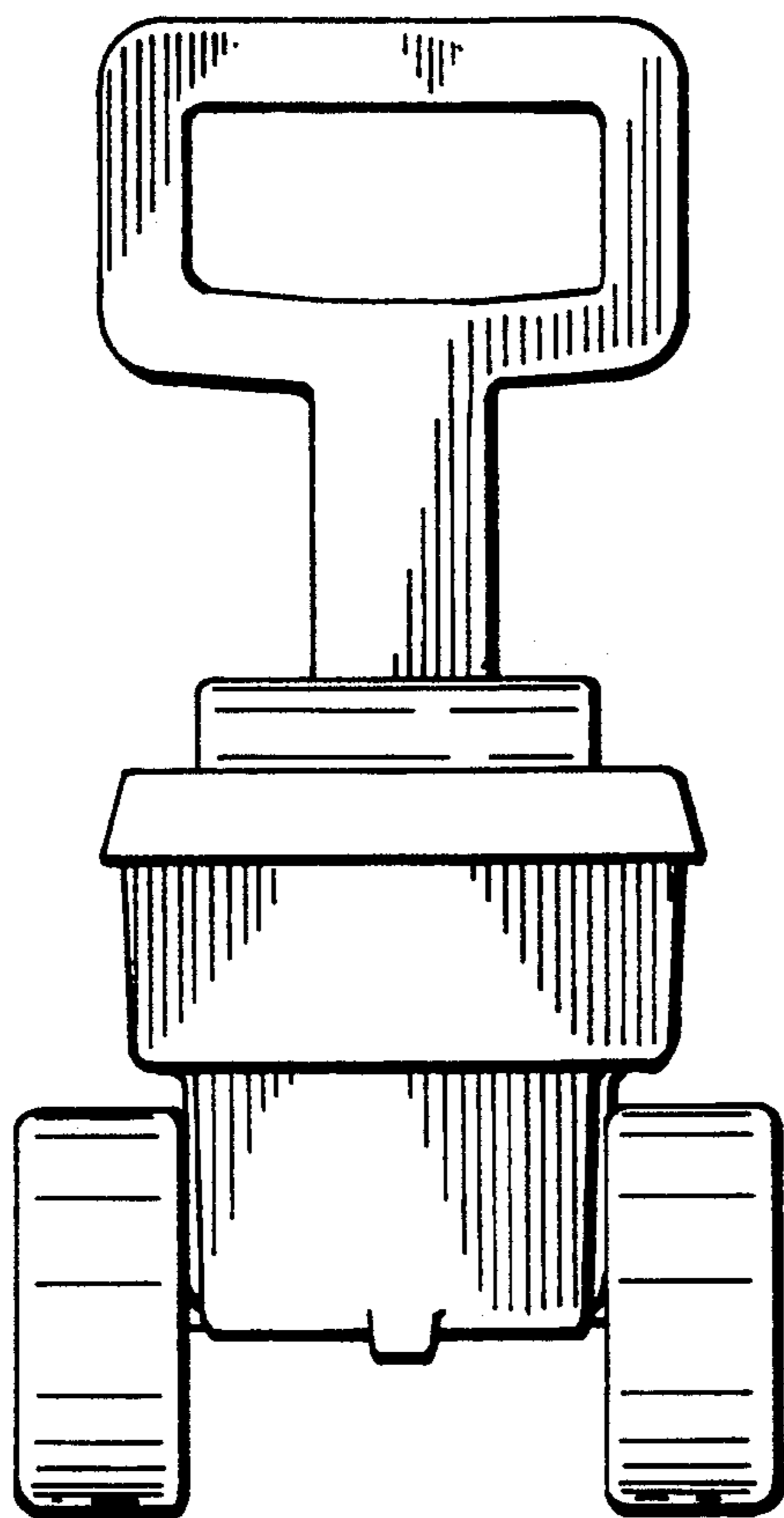


FIG. 4

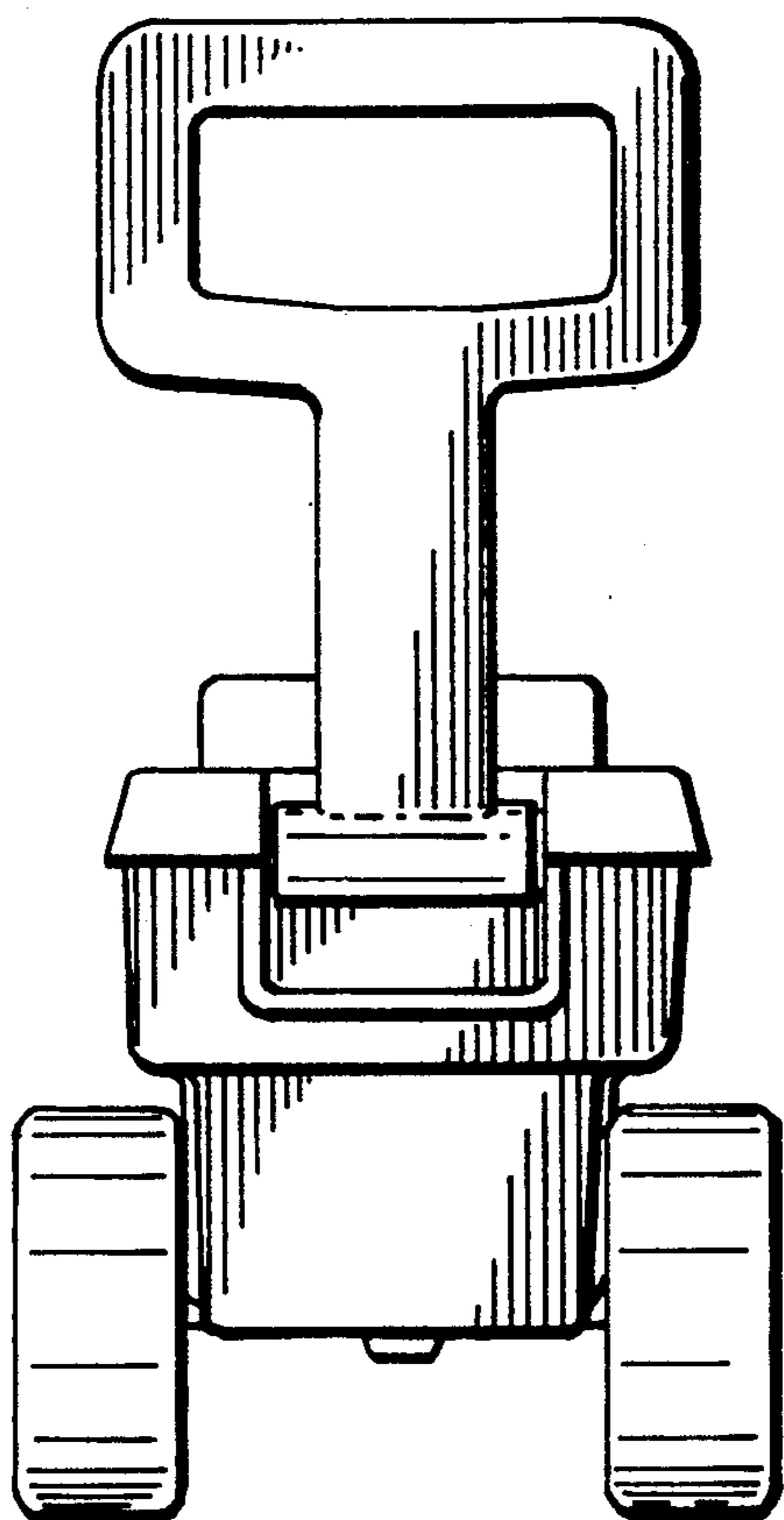


FIG. 5

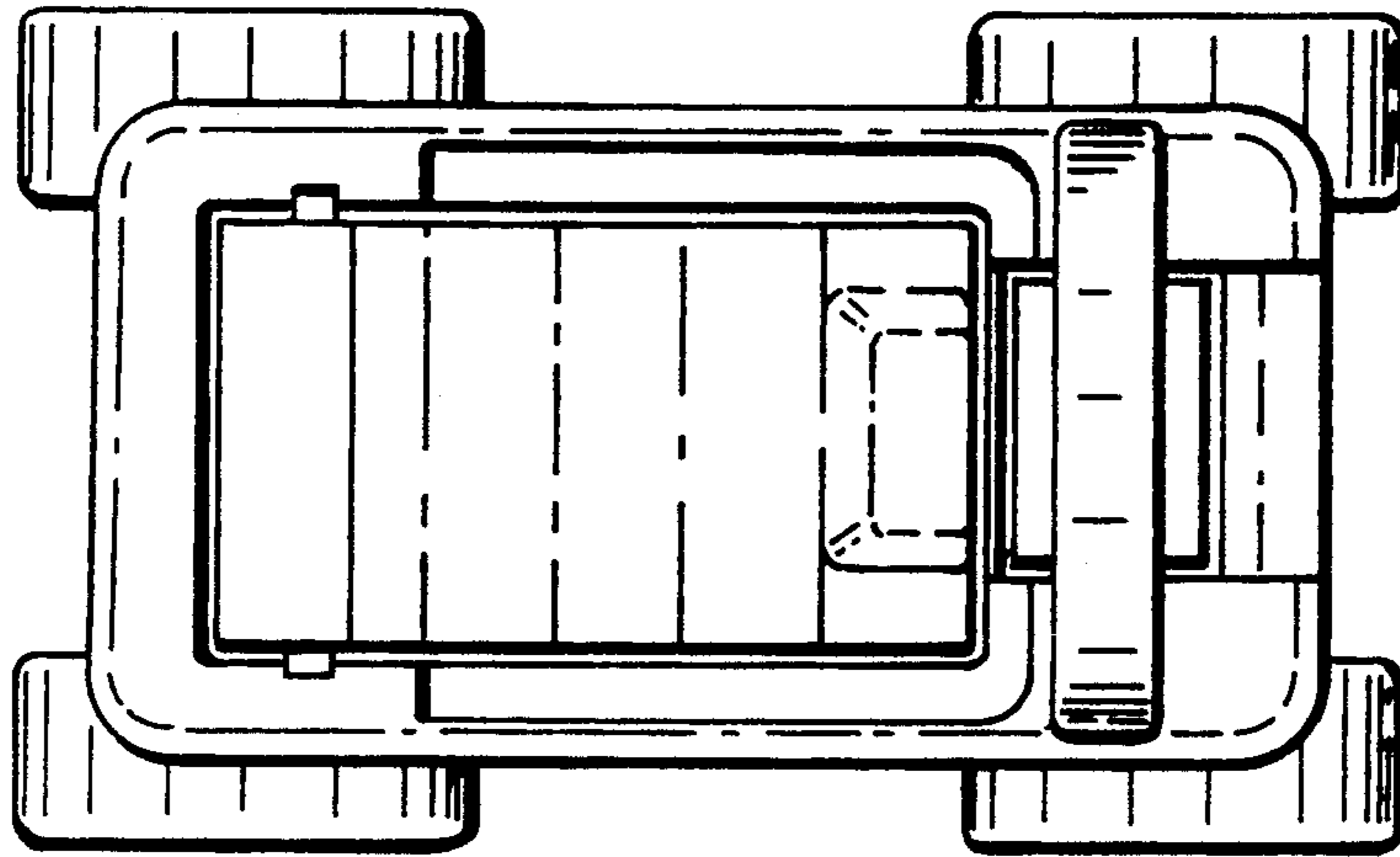


FIG. 6

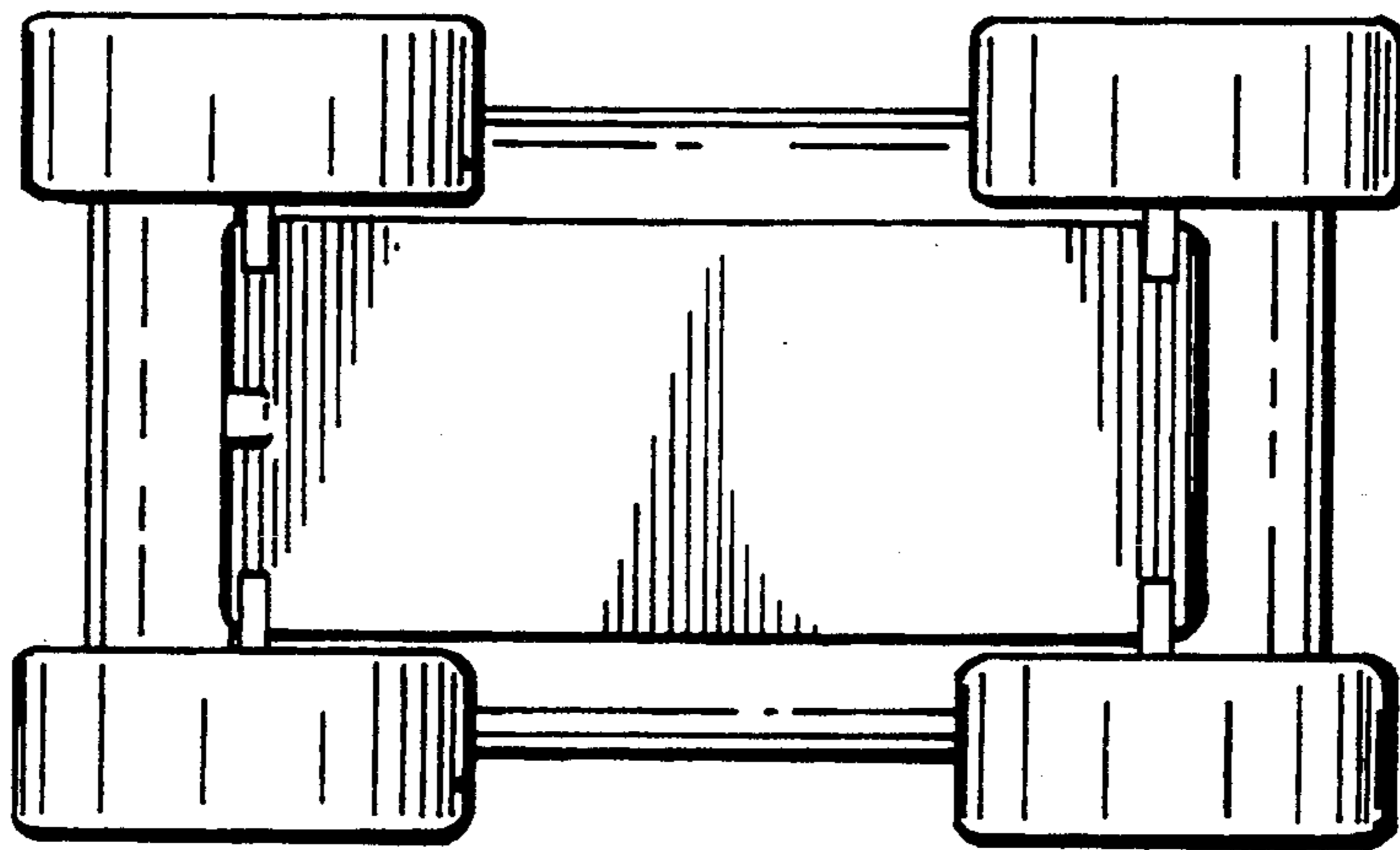


FIG. 7

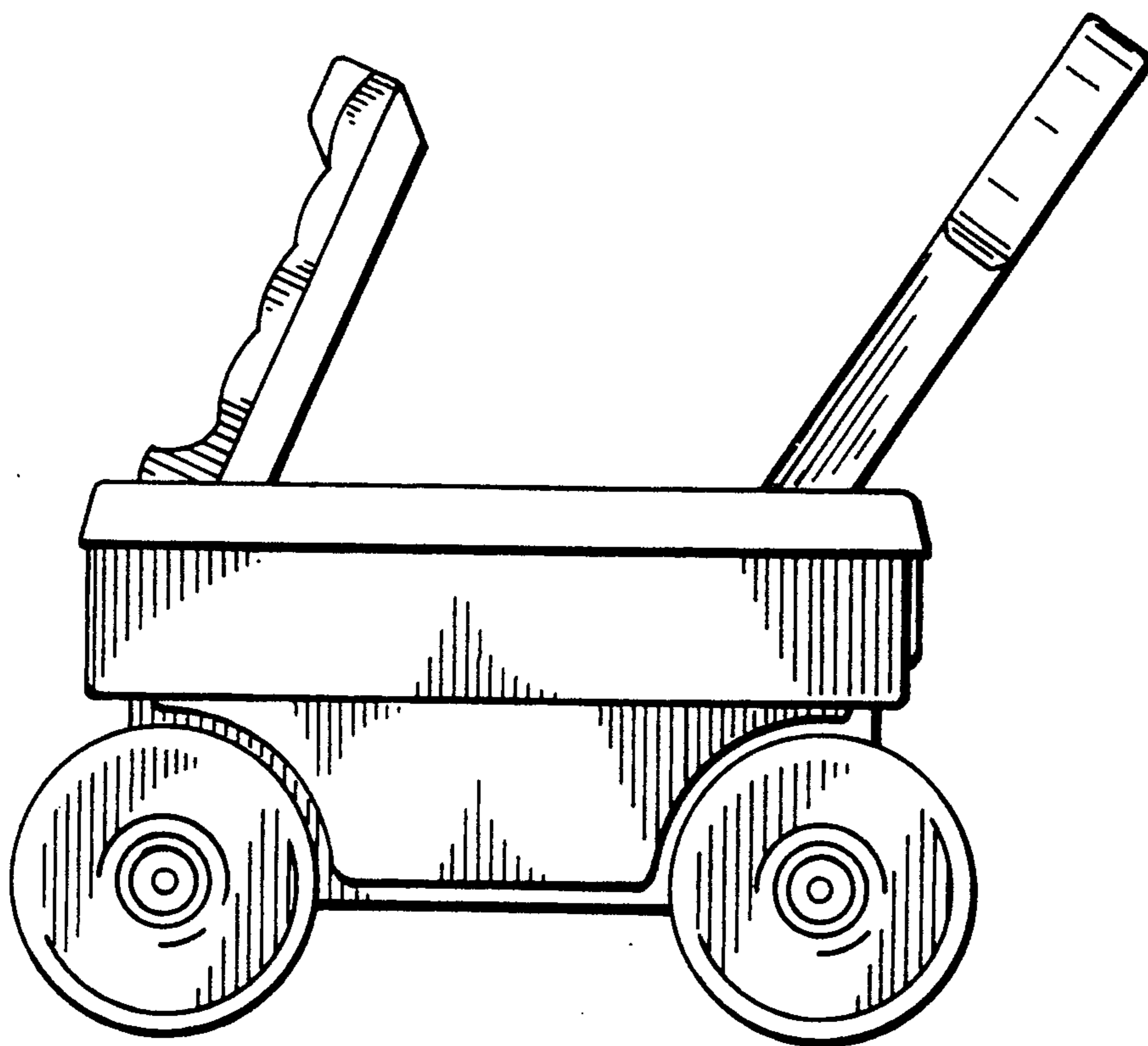


FIG. 8