



US00D327096S

United States Patent [19]

[11] Patent Number: **Des. 327,096**

Hobbs

[45] Date of Patent: **** Jun. 16, 1992**

[54] **DISPLAY STAND**

[75] Inventor: **Michael A. Hobbs**, Woodford Green, England

[73] Assignee: **A C Edwards PLC**, Herts, England

[**] Term: **14 Years**

[21] Appl. No.: **568,329**

[22] Filed: **Aug. 16, 1990**

2,388,180 10/1945 Pulver, Jr. 40/606
 4,115,937 9/1978 Wolpert 40/606

Primary Examiner—Wallace R. Burke
Assistant Examiner—Marcus Jackson
Attorney, Agent, or Firm—Oblon, Spivak, McClelland, Maier & Neustadt

[30] **Foreign Application Priority Data**

Feb. 16, 1990 [GB] United Kingdom 2004755

[52] **U.S. Cl.** **D20/10**

[58] **Field of Search** D20/10, 21, 39, 40, D20/41, 43, 42; 40/584, 606, 607, 608, 610, 611, 612

[57] **CLAIM**

The ornamental design for a display stand, as shown and described.

[56] **References Cited**

U.S. PATENT DOCUMENTS

D. 267,658 1/1983 Samuels, Jr. D20/42
 D. 271,218 11/1983 Farmer D20/10
 1,887,894 11/1932 Schwab 40/606

DESCRIPTION

FIG. 1 is a perspective view of a display stand showing my new design;
 FIG. 2 is a front elevational view thereof, with the rear being a mirror image;
 FIG. 3 is a right side elevational view thereof, with the opposite being a mirror image;
 FIG. 4 is a top plan view thereof;
 FIG. 5 is a bottom plan view thereof;
 FIG. 6 is a partial sectional view taken along line 6—6 of FIG. 2; and,
 FIG. 7 is a perspective view thereof, with the base portion shown in closed condition.

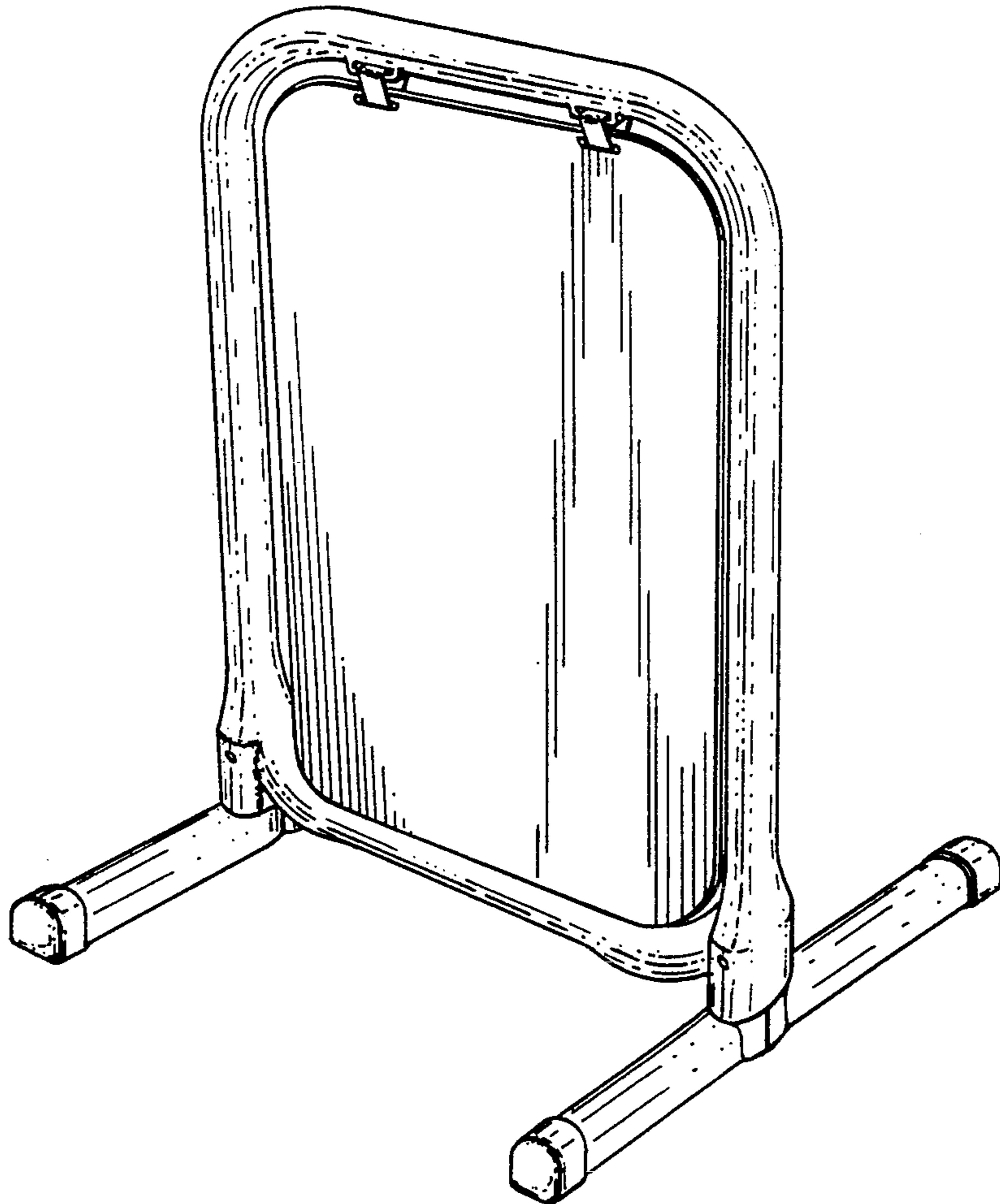


FIG. 1

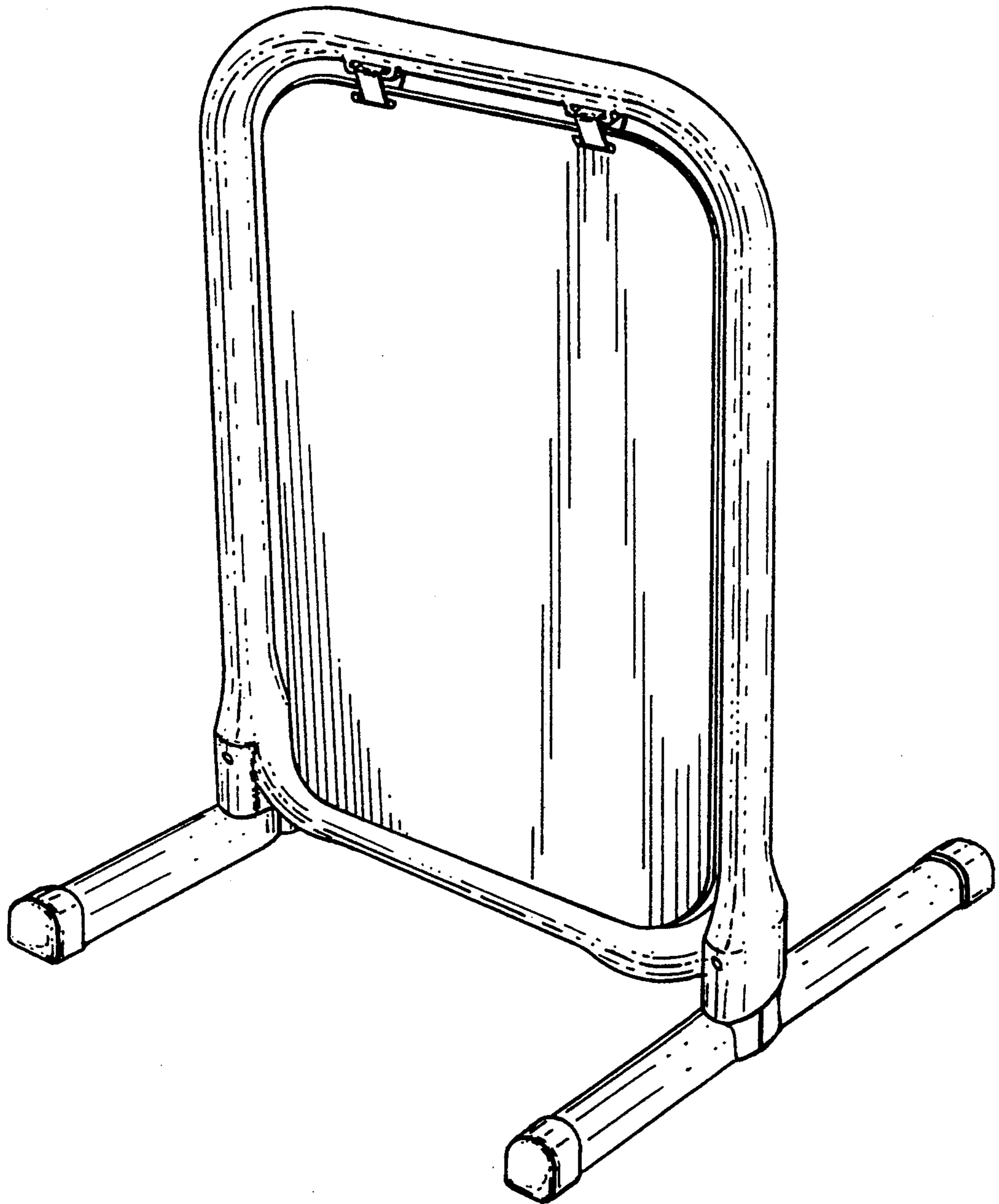


FIG. 2

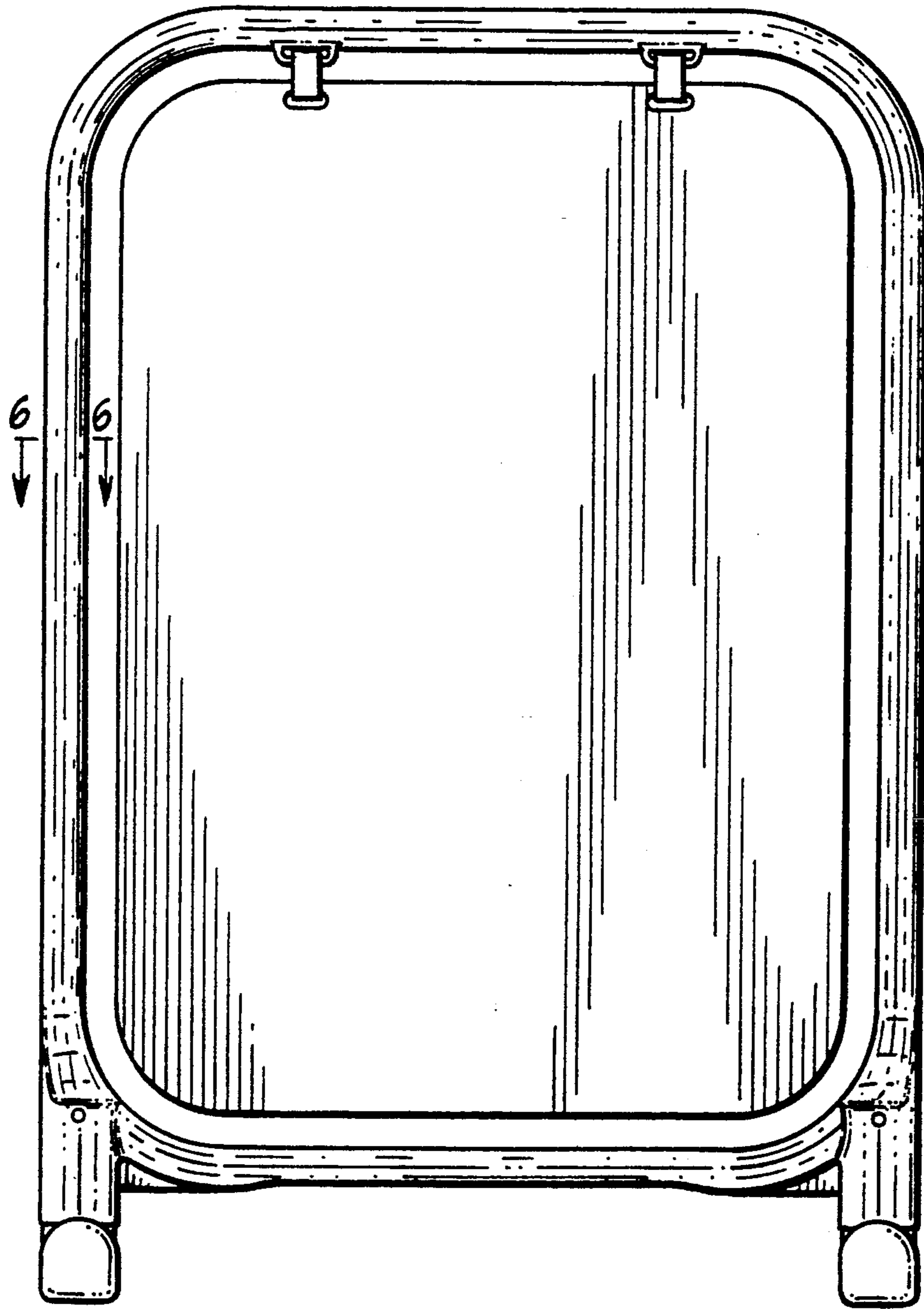


FIG. 3

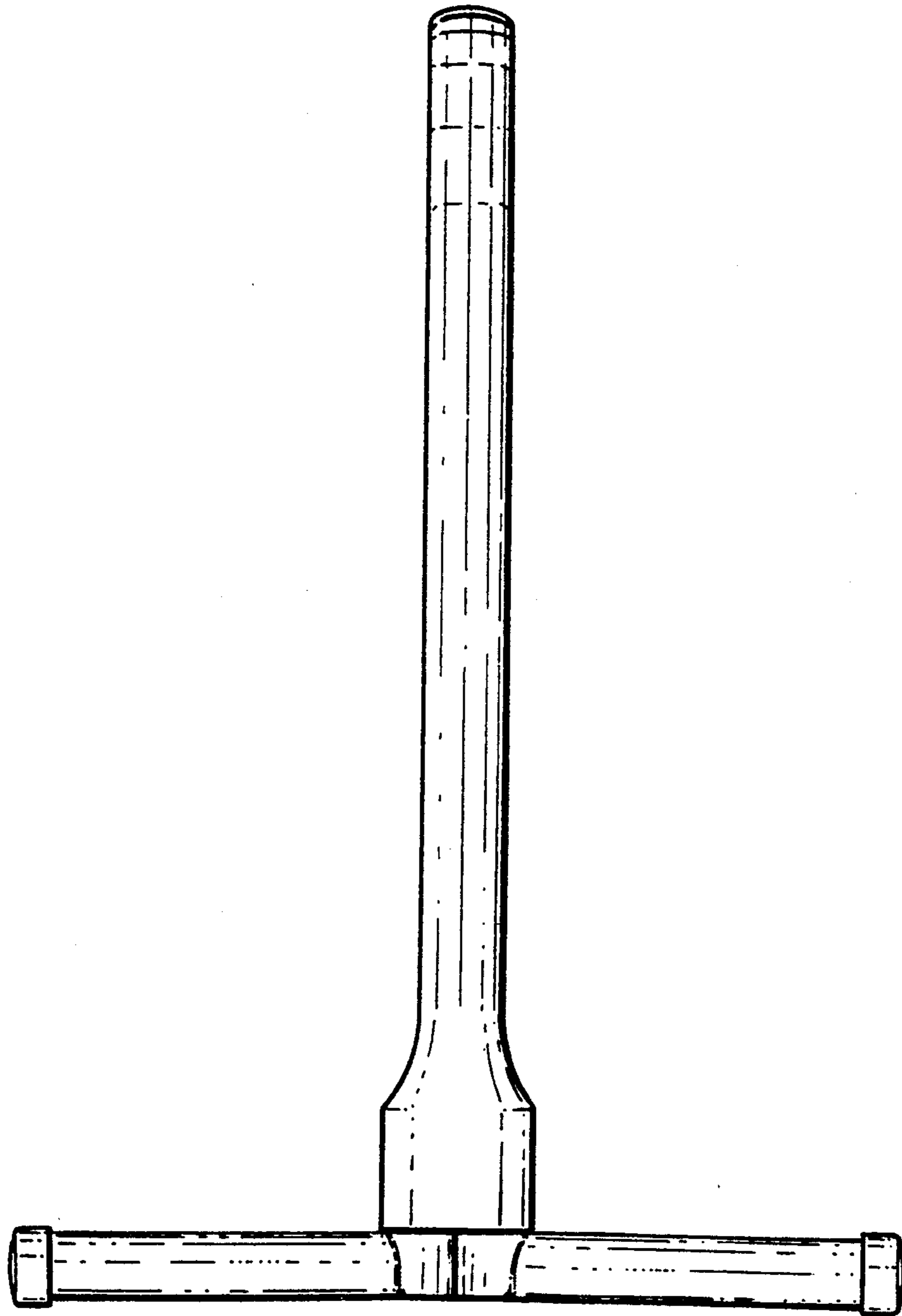


FIG. 4

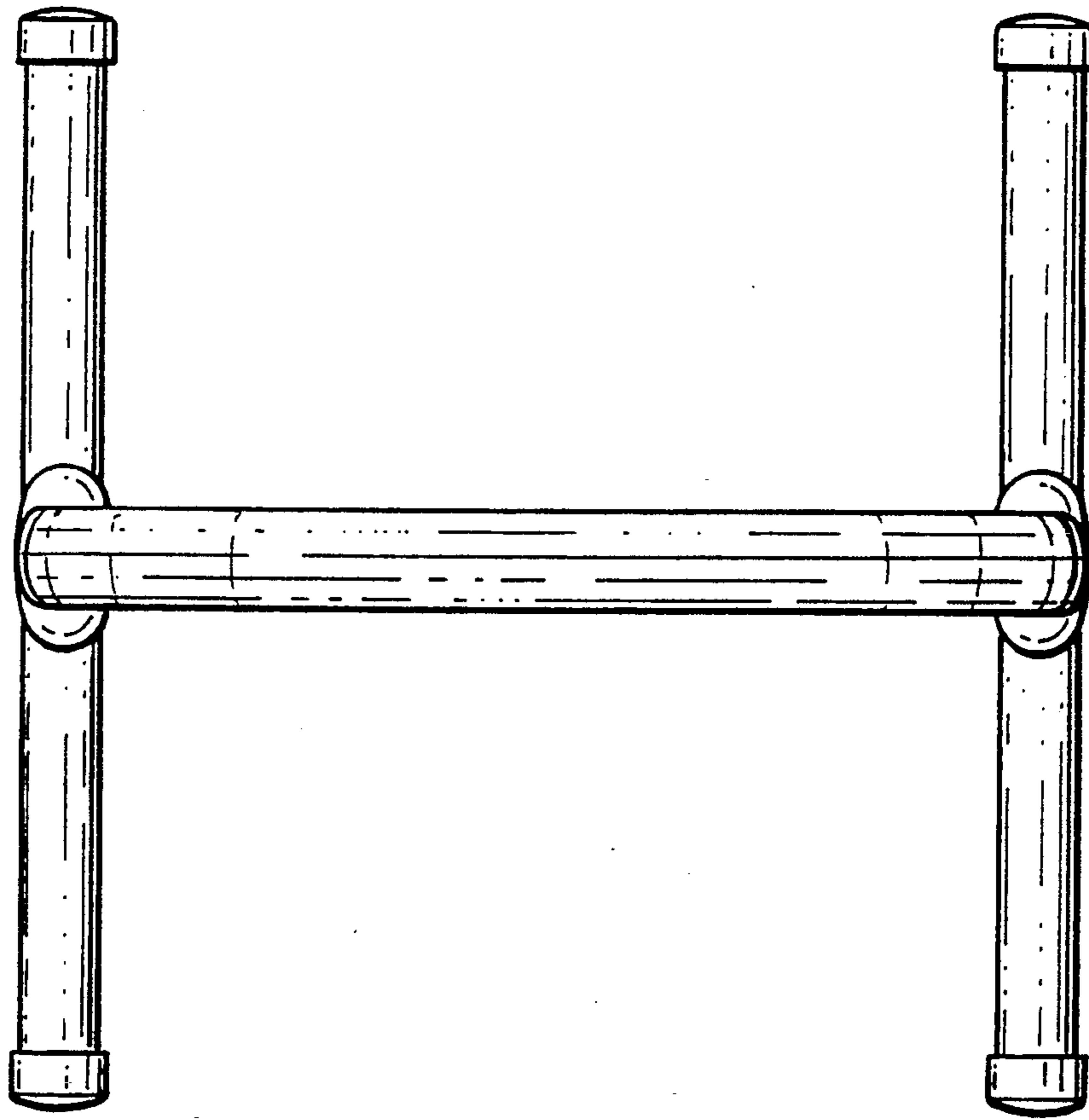


FIG. 5

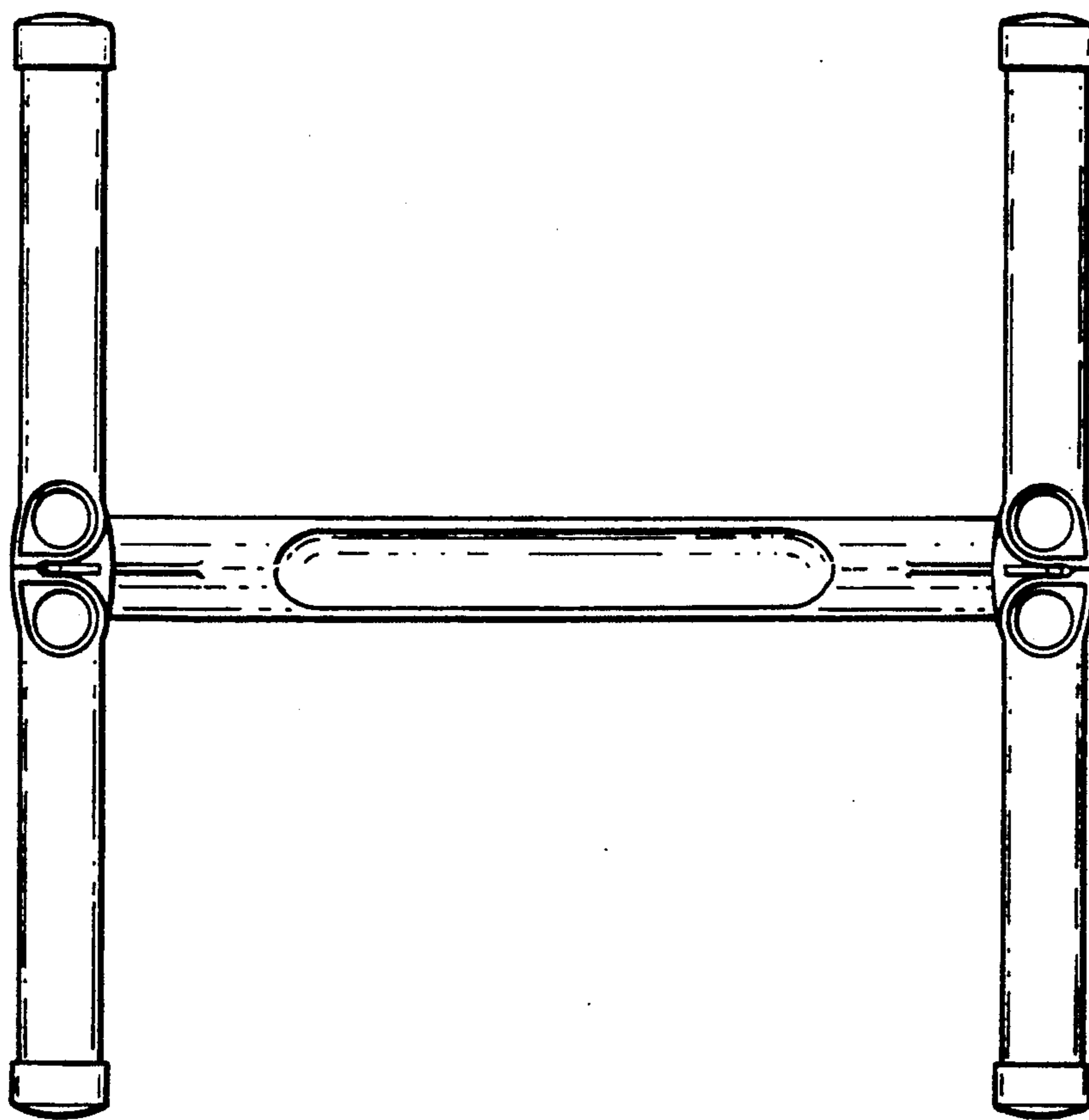


FIG. 6

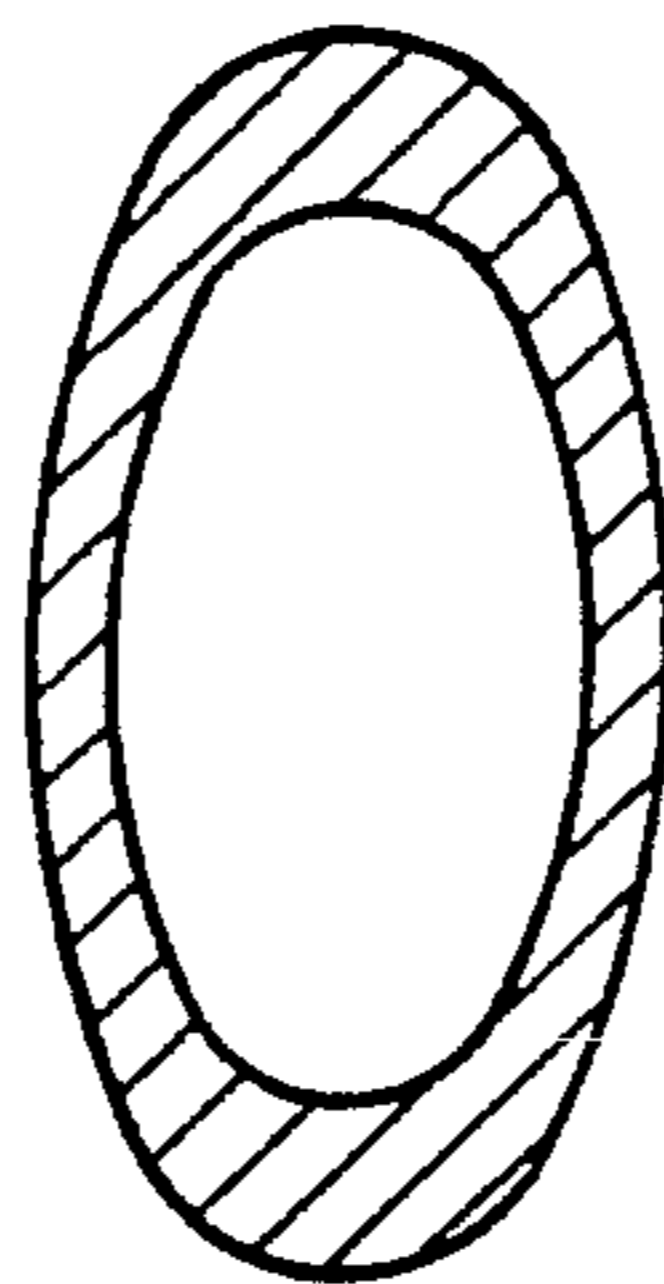


FIG. 7

