



US00D327094S

United States Patent [19]

[11] Patent Number: Des. 327,094

Jones

[45] Date of Patent: ** Jun. 16, 1992

[54] COPY HOLDER

[76] Inventor: **Hwfa J. Jones**, 47 Penkett Road, Wallasey, Wirral Merseyside, England, L45 7QC

[**] Term: **14 Years**

[21] Appl. No.: **525,656**

[22] Filed: **May 21, 1990**

[52] U.S. Cl. **D19/88; D19/86; D19/90; D19/91; D14/114**

[58] Field of Search **D14/114; D19/65, 75, D19/86, 88, 90, 91, 99, 100; 211/89; 248/441.1, 442.2, 447.1, 451, 452, 1 A, 1 B, 205.2; 40/341-349**

[56] **References Cited**

U.S. PATENT DOCUMENTS

- D. 301,044 5/1989 Judd D19/88
- D. 302,443 7/1989 Jones D19/88 X
- D. 309,607 7/1990 Nemeth D19/88 X

- D. 318,297 7/1991 Chu D19/88
- 4,693,443 9/1987 Drain 211/89 X
- 4,747,572 5/1988 Weber 248/442. 2
- 4,767,093 8/1988 Jones D19/88 X
- 5,044,593 9/1991 Jones 248/442. 2

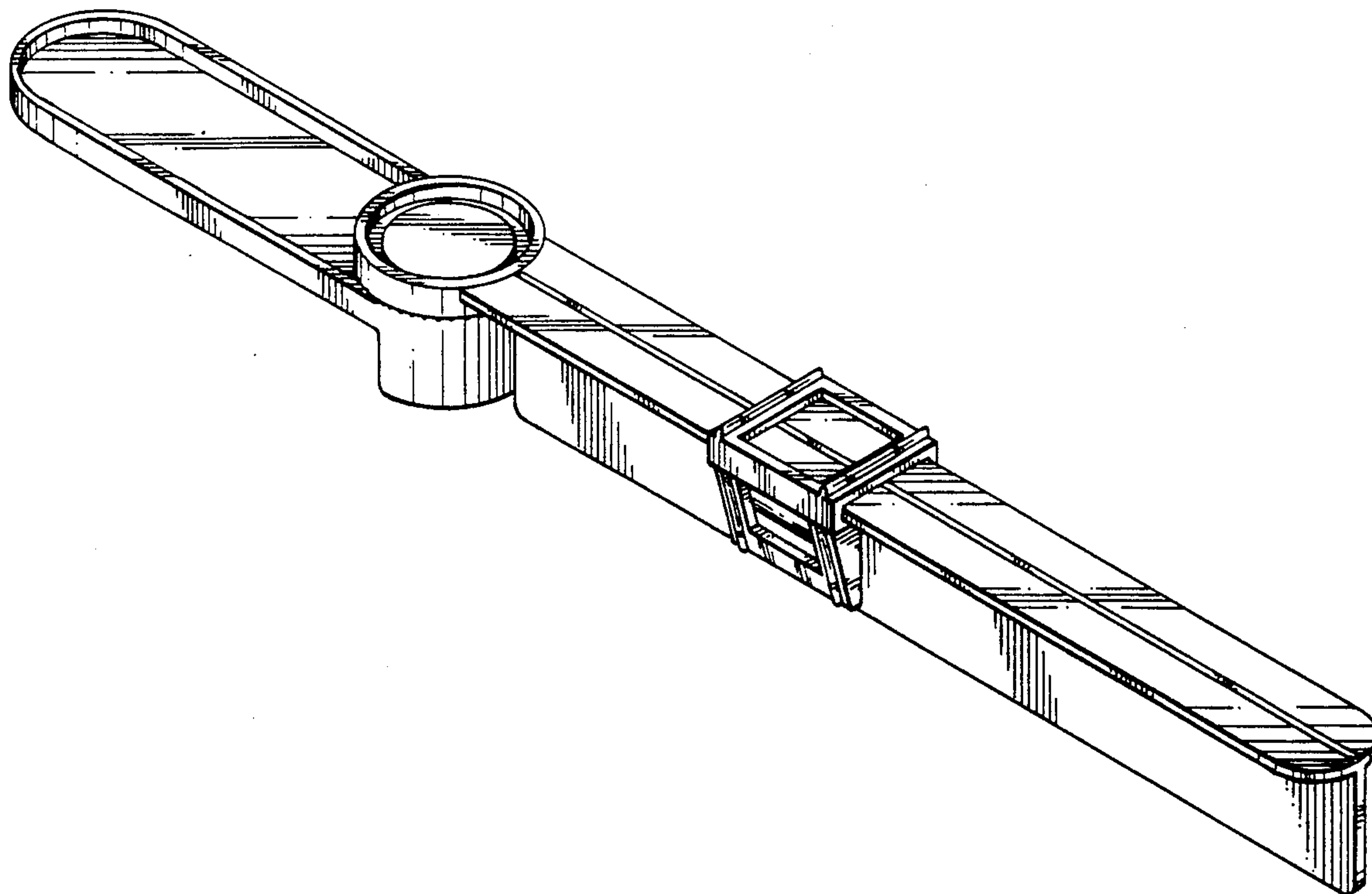
Primary Examiner—Donald P. Walsh
Assistant Examiner—Martha Thompson
Attorney, Agent, or Firm—Shlesinger Arkwright & Garvey

[57] **CLAIM**

The ornamental design for a copy holder, as shown and described.

DESCRIPTION

FIG. 1 is a top, right front perspective view of a copy holder showing my new design;
FIG. 2 is a top plan view;
FIG. 3 is a front elevational view;
FIG. 4 is a bottom plan view;
FIG. 5 is a rear elevational view;
FIG. 6 is a left end elevational view; and,
FIG. 7 is a right end elevational view thereof.



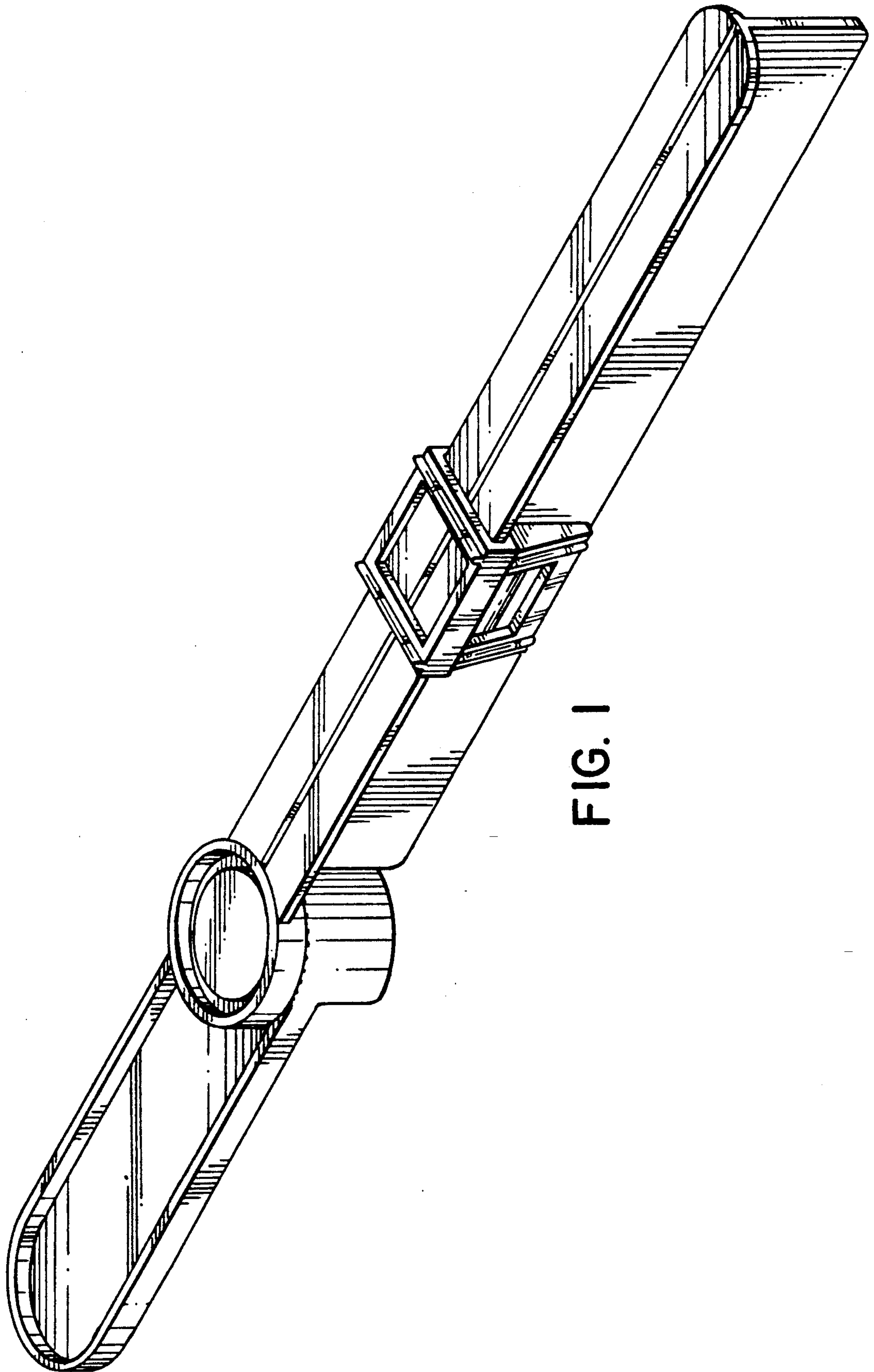


FIG. 1

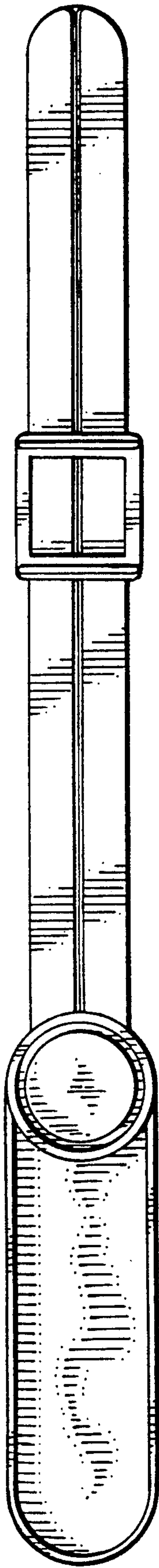


FIG. 2

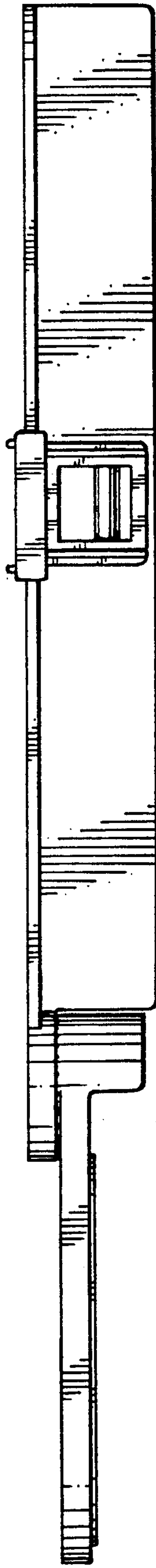


FIG. 3

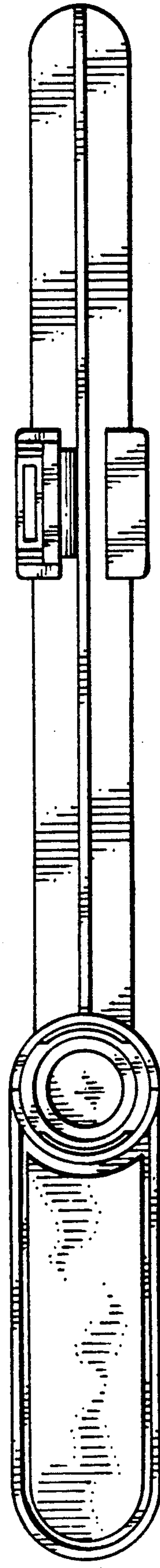


FIG. 4

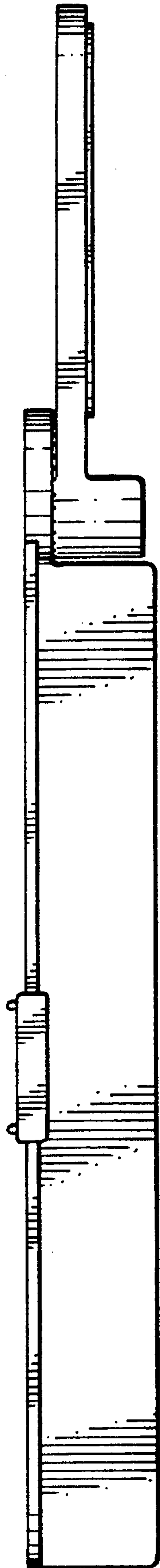


FIG. 5

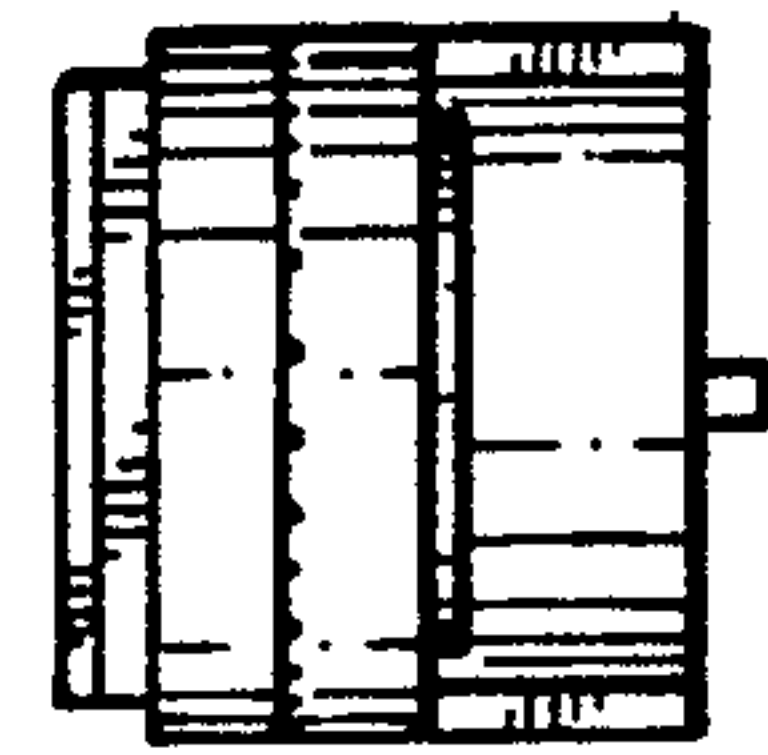


FIG. 6

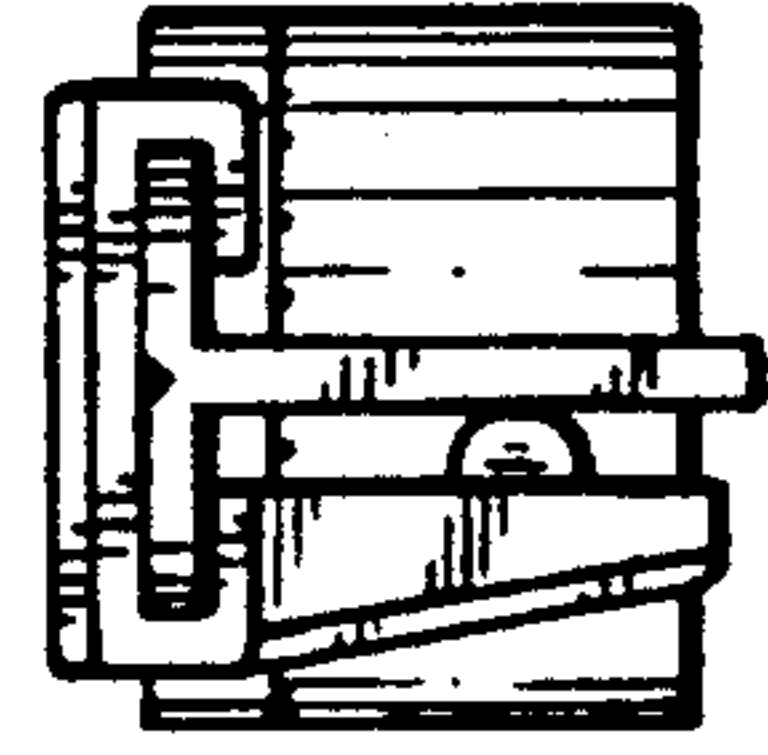


FIG. 7